



(12) **United States Design Patent**  
**Harris et al.**

(10) **Patent No.:** **US D931,509 S**  
(45) **Date of Patent:** **\*\* Sep. 21, 2021**

(54) **LIGHT FIXTURE HOUSING**

(56) **References Cited**

(71) Applicant: **Electronic Theatre Controls, Inc.**,  
Middleton, WI (US)  
  
(72) Inventors: **Christopher Harris**, Madison, WI  
(US); **Michael Hammond**, Madison,  
WI (US); **Andrew Edge**, Madison, WI  
(US); **Steve Latham**, Madison, WI  
(US); **Todd Brunner**, Madison, WI  
(US)  
  
(73) Assignee: **Electronic Theatre Controls, Inc.**,  
Middleton, WI (US)

U.S. PATENT DOCUMENTS

D414,575 S *	9/1999	Yuen .....	D26/38
D417,022 S *	11/1999	Chiu .....	D26/49
D440,346 S *	4/2001	Johnson .....	D26/128
D492,806 S *	7/2004	Hsu .....	D26/40
D654,207 S	2/2012	Fletcher et al.	
9,140,425 B2	9/2015	Kinzer et al.	
D773,704 S *	12/2016	Pardo .....	D26/41
D787,104 S *	5/2017	Wu .....	D26/41
D823,507 S *	7/2018	Pontano .....	D26/40
D849,295 S *	5/2019	Sun .....	D26/40
D897,016 S *	9/2020	Browning .....	D26/40

\* cited by examiner

*Primary Examiner* — Richard E Chilcot  
(74) *Attorney, Agent, or Firm* — Michael Best and  
Friedrich LLP

(\*\*) Term: **15 Years**

(21) Appl. No.: **29/719,887**

(22) Filed: **Jan. 8, 2020**

(51) **LOC (13) Cl.** ..... **26-02**

(52) **U.S. Cl.**

USPC ..... **D26/37**; D26/41; D26/93  
CPC ..... **F21L 4/00** (2013.01)

(58) **Field of Classification Search**

USPC ..... D26/37–51, 60–112  
CPC ..... F21L 2003/00; F21L 4/005; F21L 4/025;  
F21L 4/027; F21L 4/04; F21L 4/08; F21L  
13/00; F21L 13/08; F21L 14/02; F21L  
19/00; F21L 2/00; F21L 4/00–4/085;  
F21L 15/00–15/14; F21L 2001/00; F21L  
2005/00; F21L 25/00

See application file for complete search history.

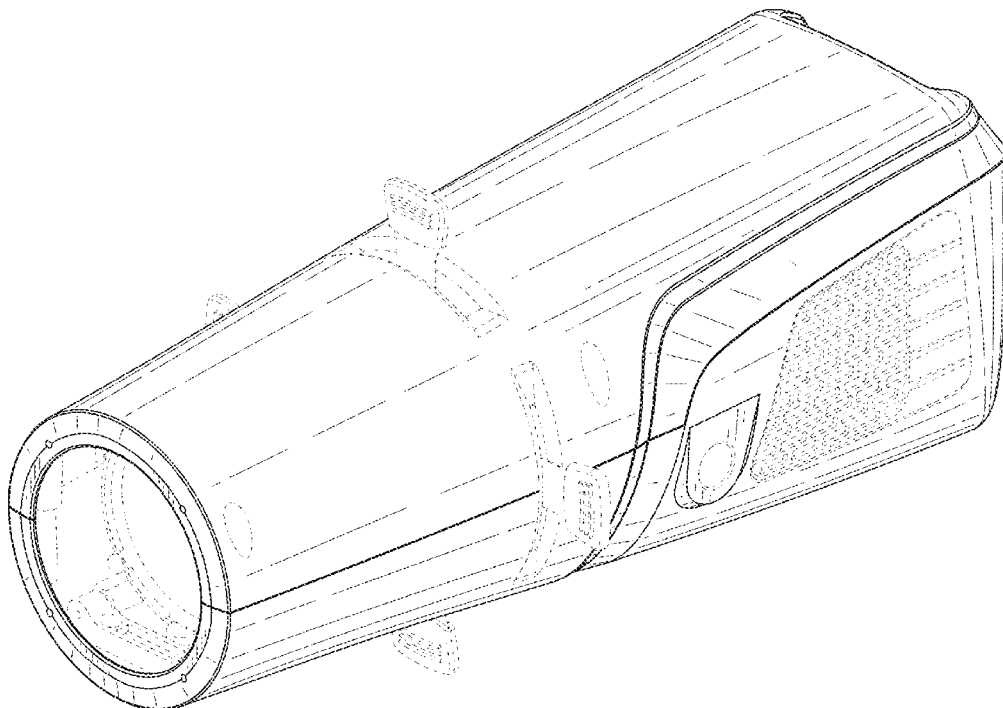
(57) **CLAIM**

We claim the ornamental design for a light fixture housing,  
as shown and described.

**DESCRIPTION**

FIG. 1 is a perspective view of a light fixture housing  
embodying the present invention.  
FIG. 2 is a left side view of the design shown in FIG. 1.  
FIG. 3 is a right side view of the design shown in FIG. 1.  
FIG. 4 is a top view of the design shown in FIG. 1.  
FIG. 5 is a bottom view of the design shown in FIG. 1.  
FIG. 6 is front view of the design shown in FIG. 1; and,  
FIG. 7 is a rear view of the design shown in FIG. 1.  
The portions of the light fixture shown in broken lines form  
no part of the claimed design.

**1 Claim, 6 Drawing Sheets**



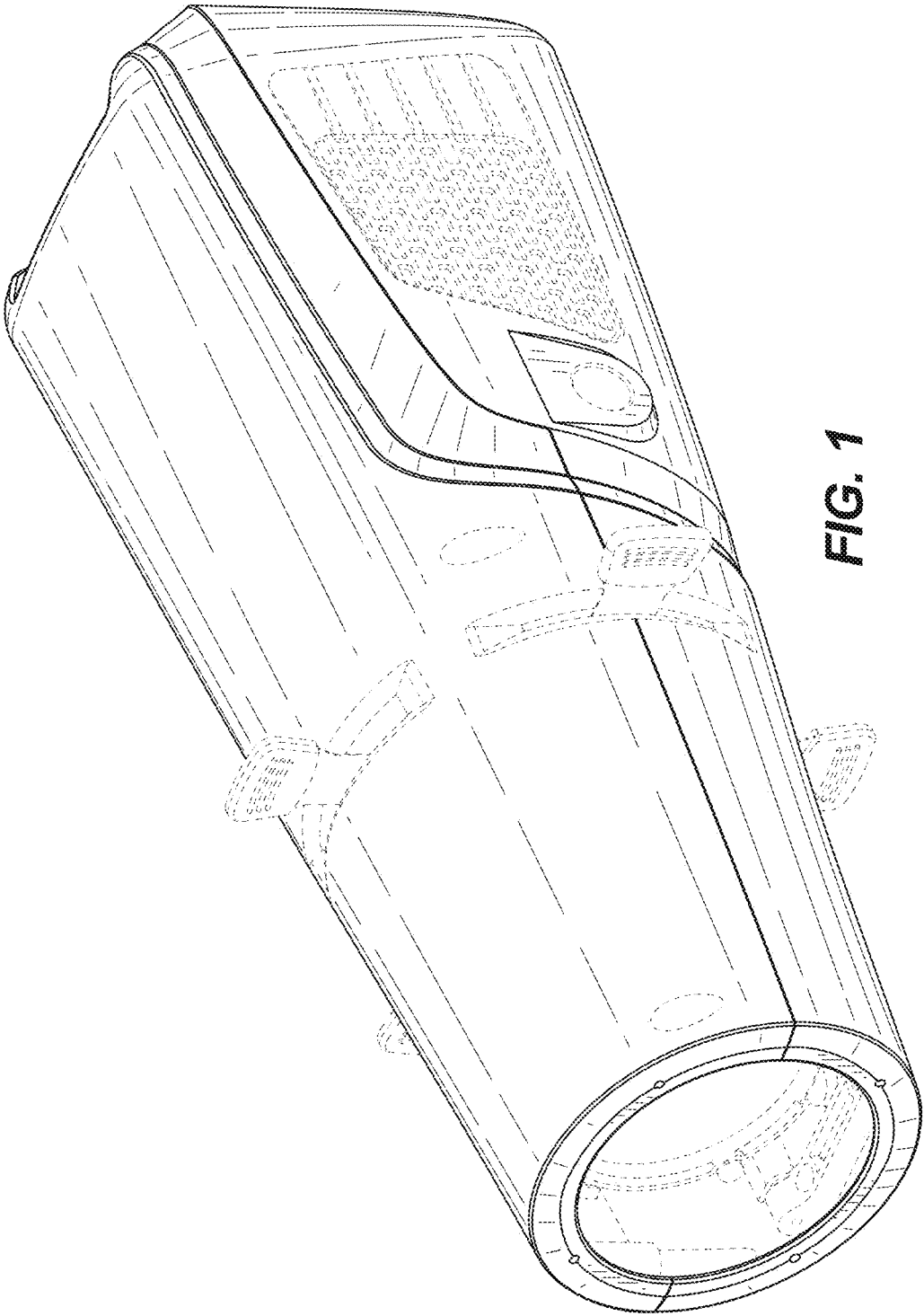


FIG. 1

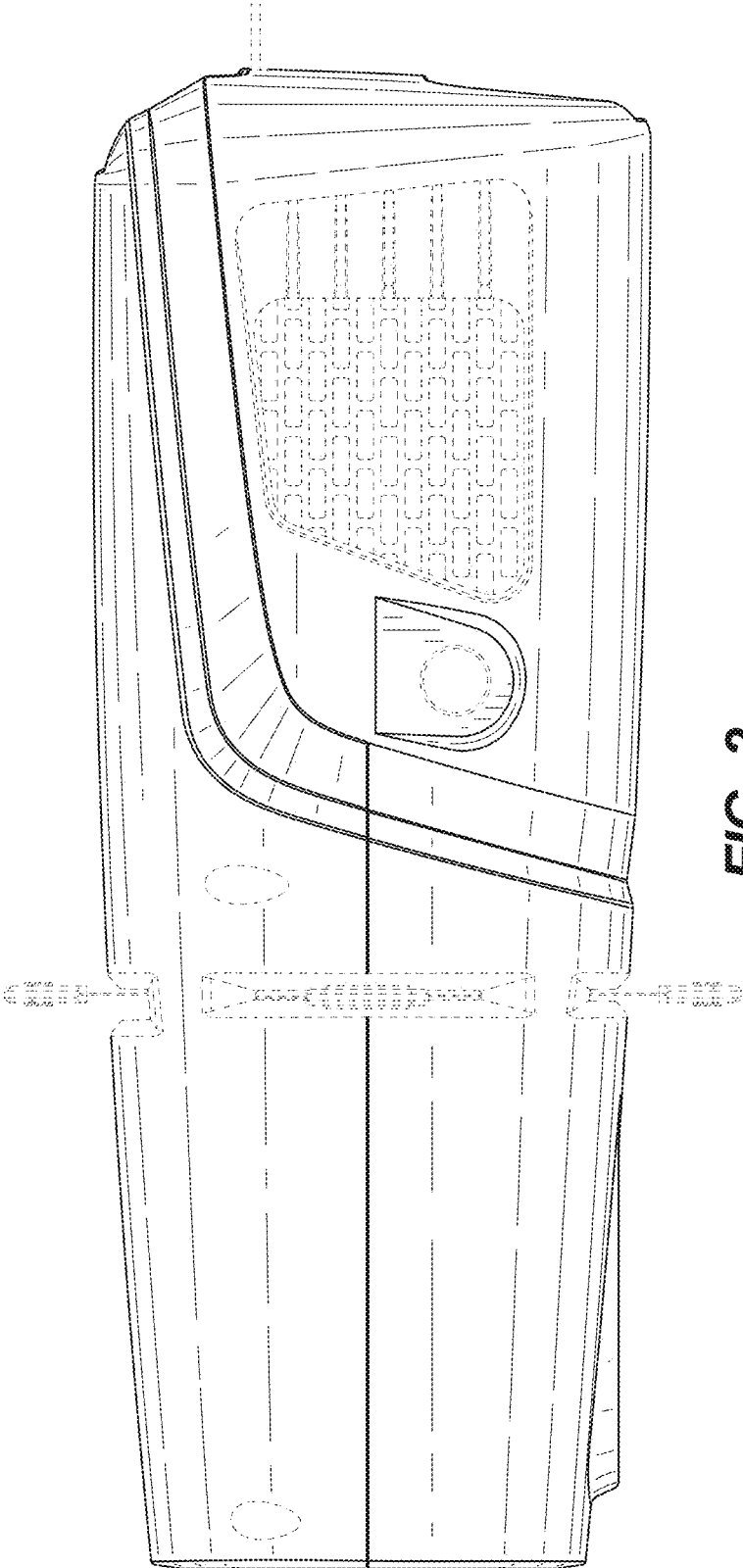


FIG. 2

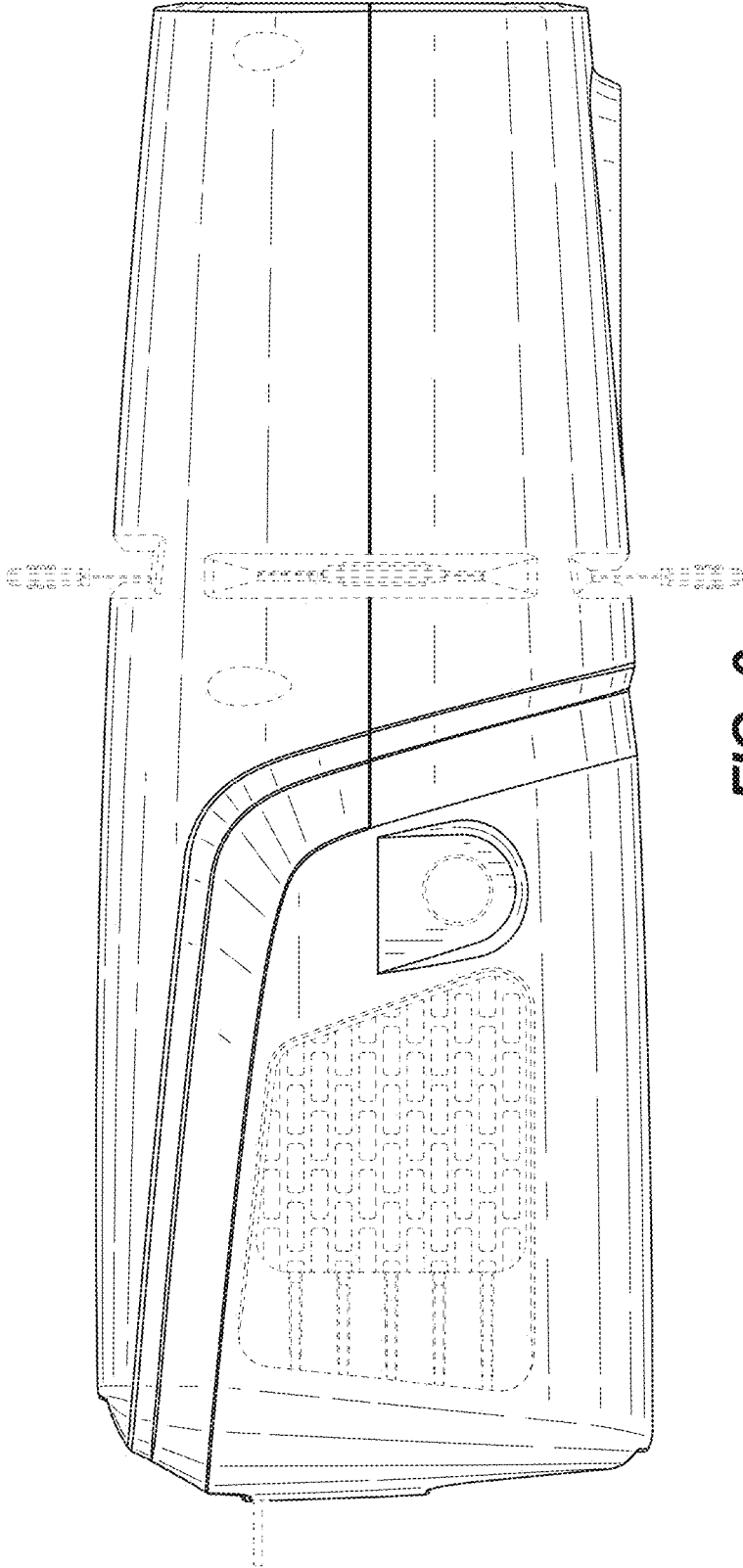


FIG. 3

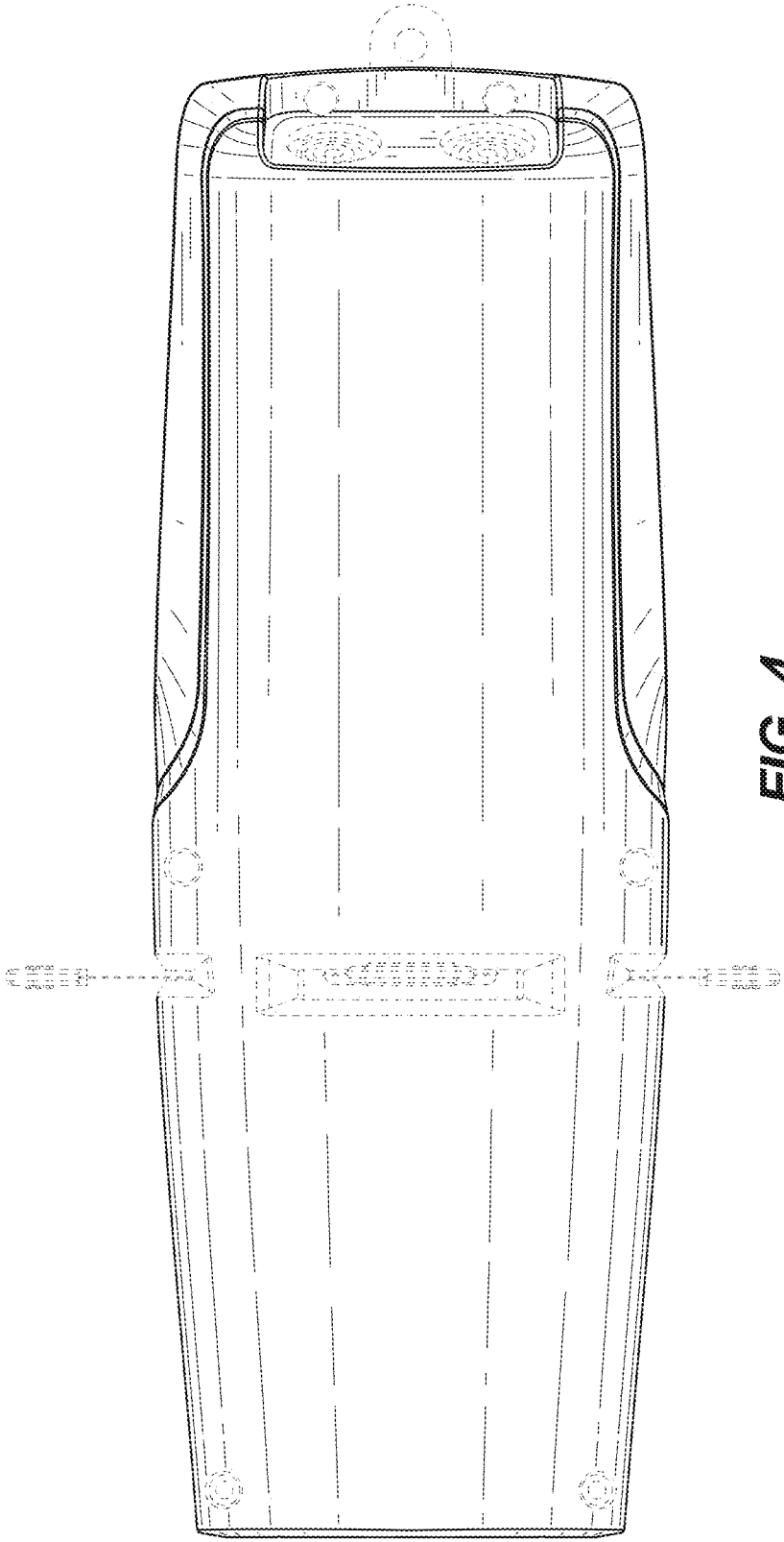
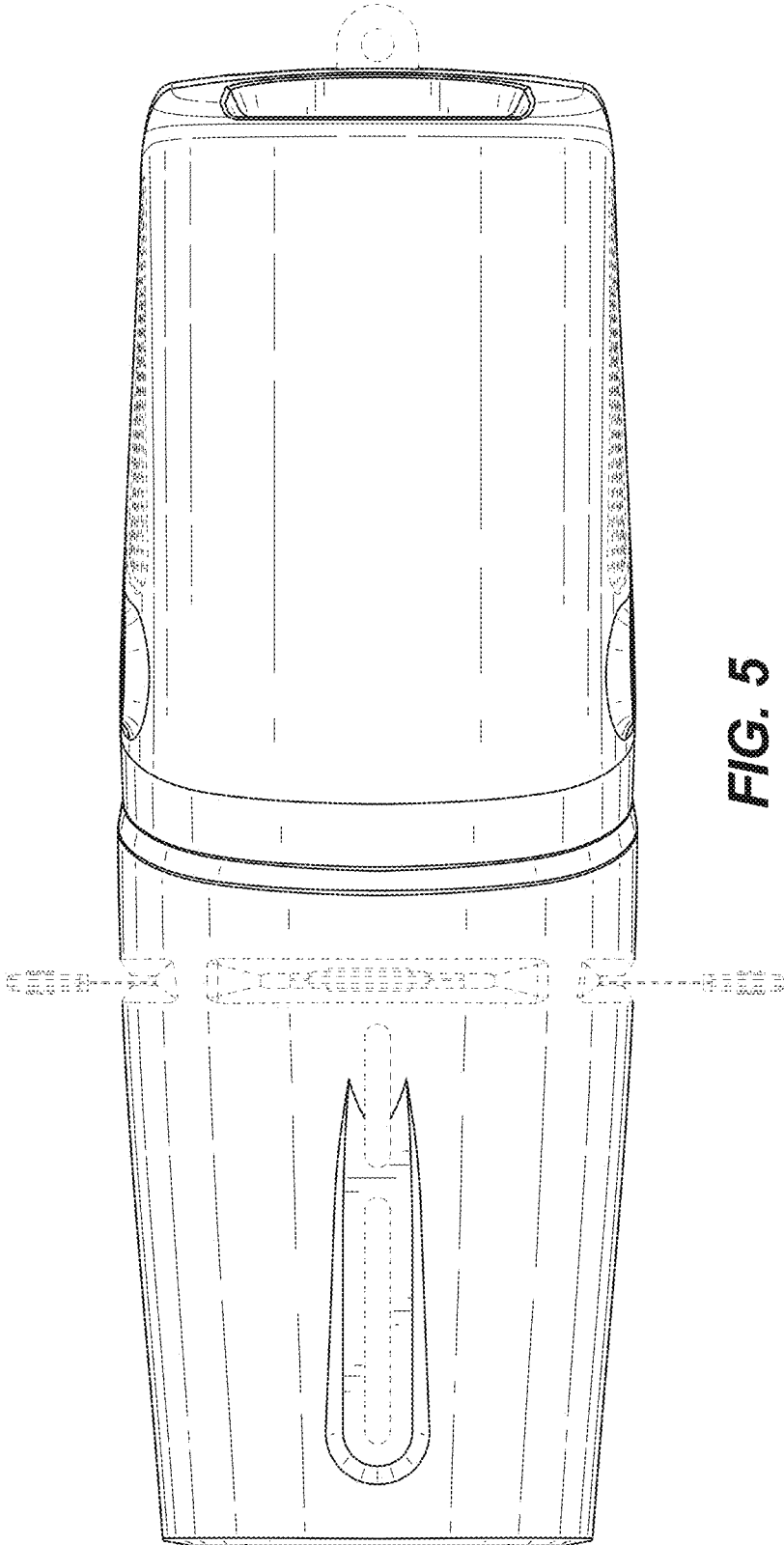
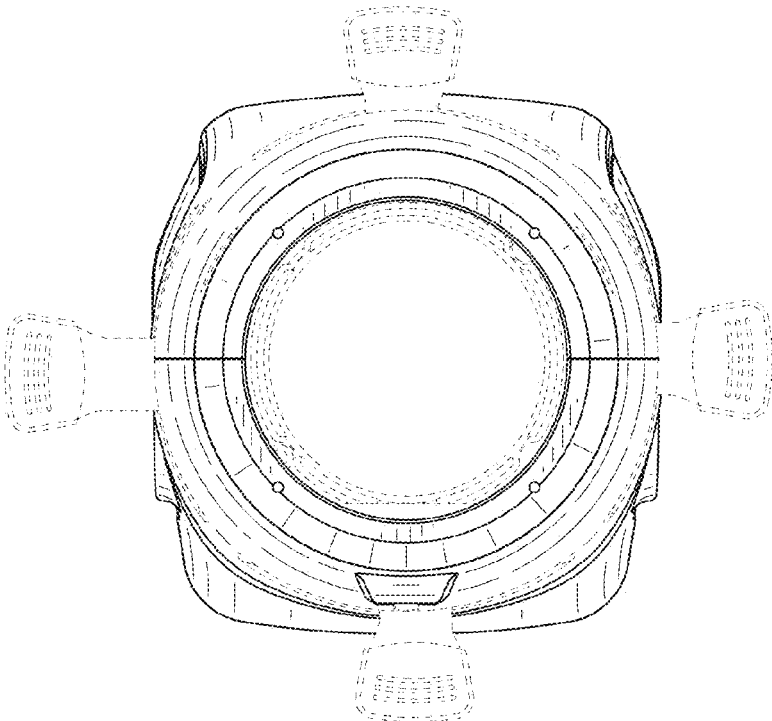
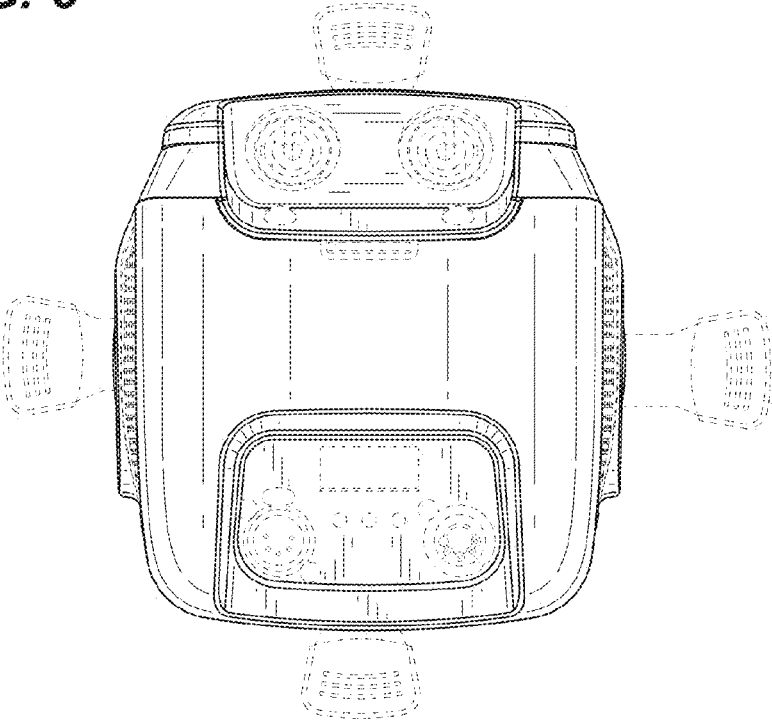


FIG. 4





**FIG. 6**



**FIG. 7**