



US00D904661S

(12) **United States Design Patent** (10) **Patent No.:** **US D904,661 S**
Toft (45) **Date of Patent:** **** Dec. 8, 2020**

(54) **LIGHTING DEVICE**

(71) Applicant: **Harman Professional Denmark ApS**,
Aarhus N (DK)

(72) Inventor: **Uffe Kjærgaard Toft**, Højbjerg (DK)

(73) Assignee: **Harman Professional Denmark ApS**,
Aarhus N (DK)

(**) Term: **15 Years**

(21) Appl. No.: **29/675,985**

(22) Filed: **Jan. 7, 2019**

(51) **LOC (12) Cl.** **26-03**

(52) **U.S. Cl.**
USPC **D26/63**

(58) **Field of Classification Search**
USPC D26/1, 24, 63, 65, 6, 93-94, 104-107
CPC F21V 21/14; F21V 15/01; F21V 14/02;
F21V 21/30; F21V 21/00; F21V 14/00;
F21S 8/00; F21S 8/003; F21S 8/043;
F21Y 2105/001

See application file for complete search history.

(56) **References Cited**

U.S. PATENT DOCUMENTS

D251,148 S *	2/1979	Young	D16/239
D257,743 S *	12/1980	Tedesco	D26/104
D397,234 S *	8/1998	Huang	D26/63
D439,356 S *	3/2001	Martinson	D26/63
D457,673 S *	5/2002	Martinson	D26/63
D612,532 S	3/2010	Toft		
D614,344 S	4/2010	Toft		
D618,377 S *	6/2010	Toft	D26/63
D620,187 S *	7/2010	Quadri	D26/113
D638,573 S	5/2011	Toft		
D664,285 S	7/2012	Toft		

D664,707 S	7/2012	Toft
D664,708 S	7/2012	Toft
D667,582 S	9/2012	Toft
D672,915 S	12/2012	Toft
D694,462 S	11/2013	Kjaergaard
D694,466 S	11/2013	Kjaergaard
D694,467 S	11/2013	Kjaergaard
D694,926 S	12/2013	Toft
D694,927 S	12/2013	Toft
D712,085 S	8/2014	Kjaergaard Toft
D712,087 S	8/2014	Kjaergaard Toft
D738,555 S	9/2015	Kjaergaard
D742,060 S	10/2015	Kjaergaard Toft
D744,156 S	11/2015	Kjaergaard Toft
D751,750 S	3/2016	Kjaergaard Toft

* cited by examiner

Primary Examiner — Brian N. Vinson

(74) *Attorney, Agent, or Firm* — Plumsea Law Group, LLC

(57) **CLAIM**

The ornamental design for a lighting device, as shown and described.

DESCRIPTION

FIG. 1 is a front perspective view of a lighting device showing the new design;

FIG. 2 is a rear perspective thereof;

FIG. 3 is a front elevational view thereof;

FIG. 4 is a rear elevational view thereof;

FIG. 5 is a side elevational view thereof;

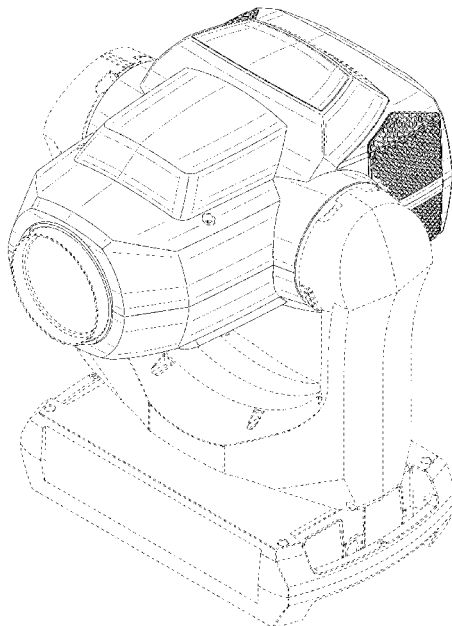
FIG. 6 is an opposite side elevational view thereof;

FIG. 7 is a top view thereof; and,

FIG. 8 is a bottom view thereof.

The broken lines and unshaded areas in the figures illustrate portions of the design that form no part of the claimed design.

1 Claim, 8 Drawing Sheets



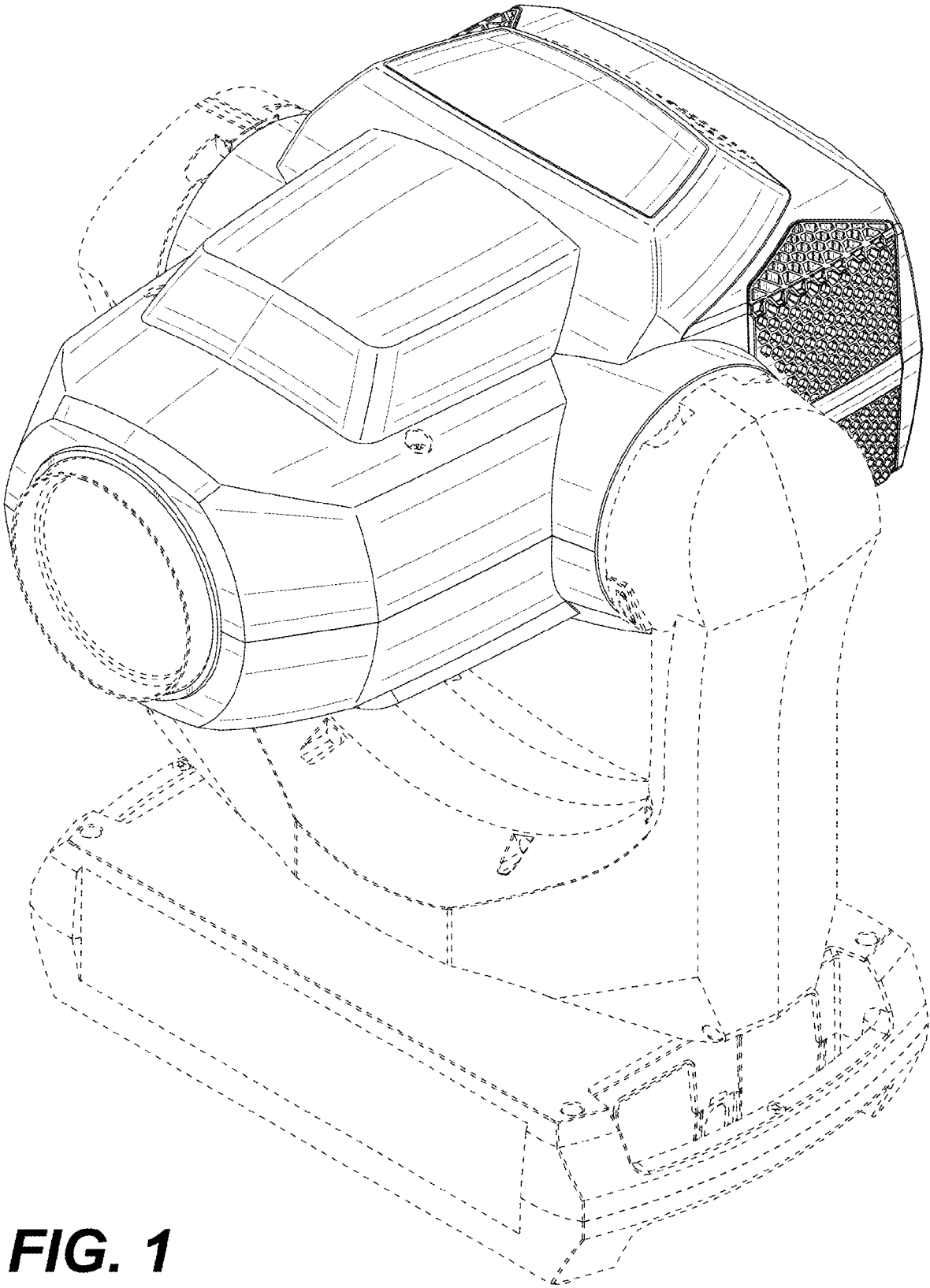


FIG. 1

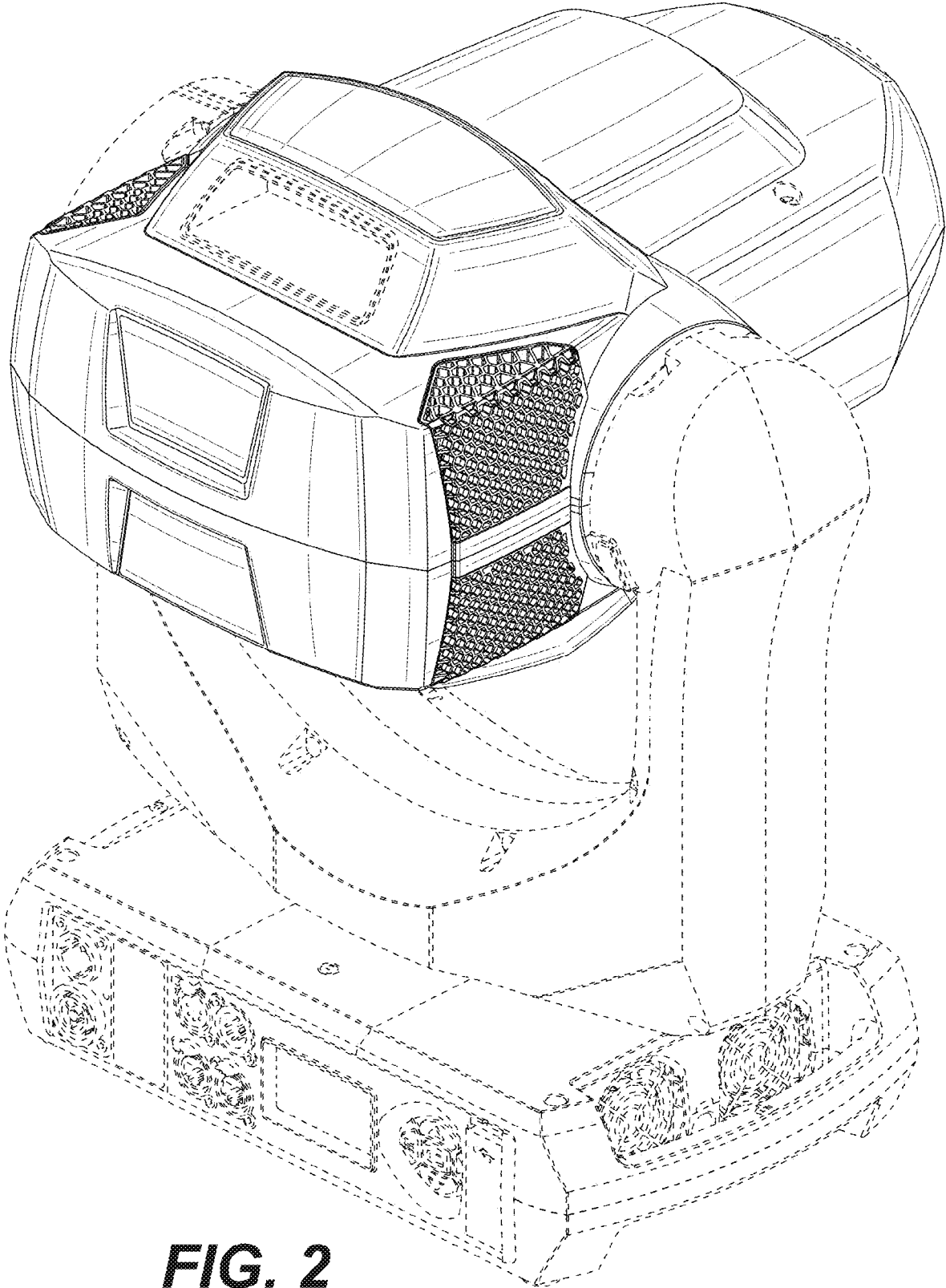


FIG. 2

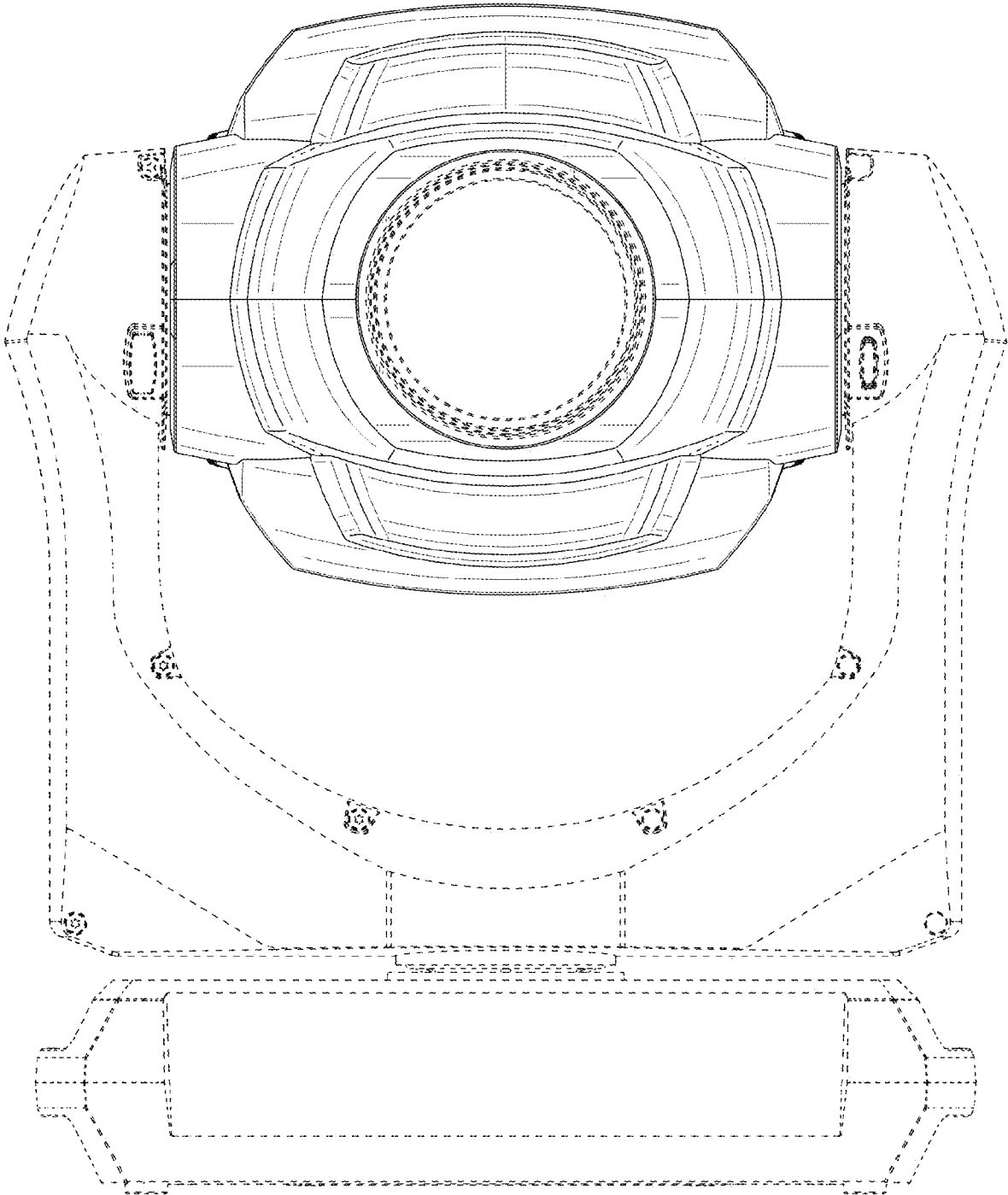


FIG. 3

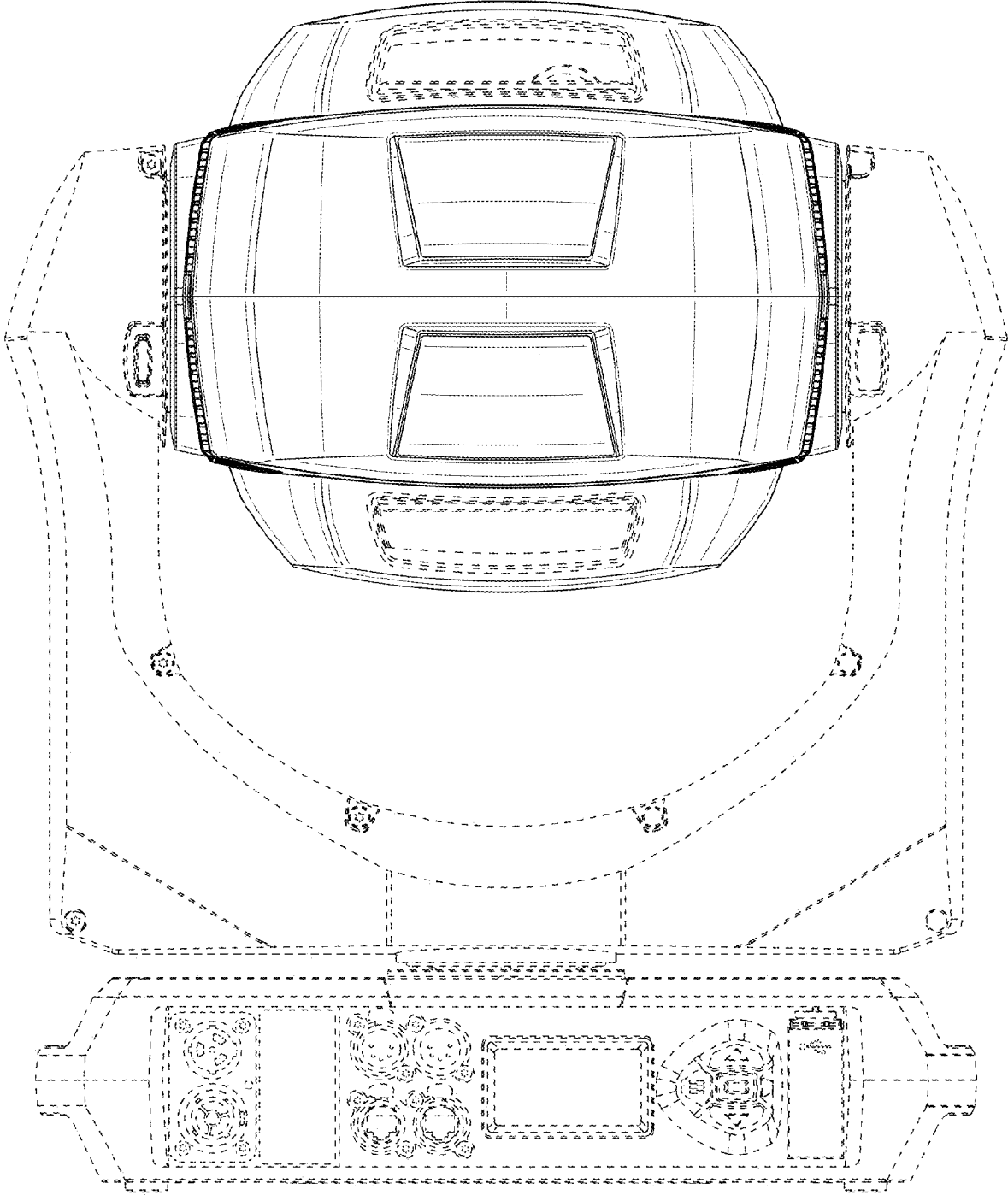


FIG. 4

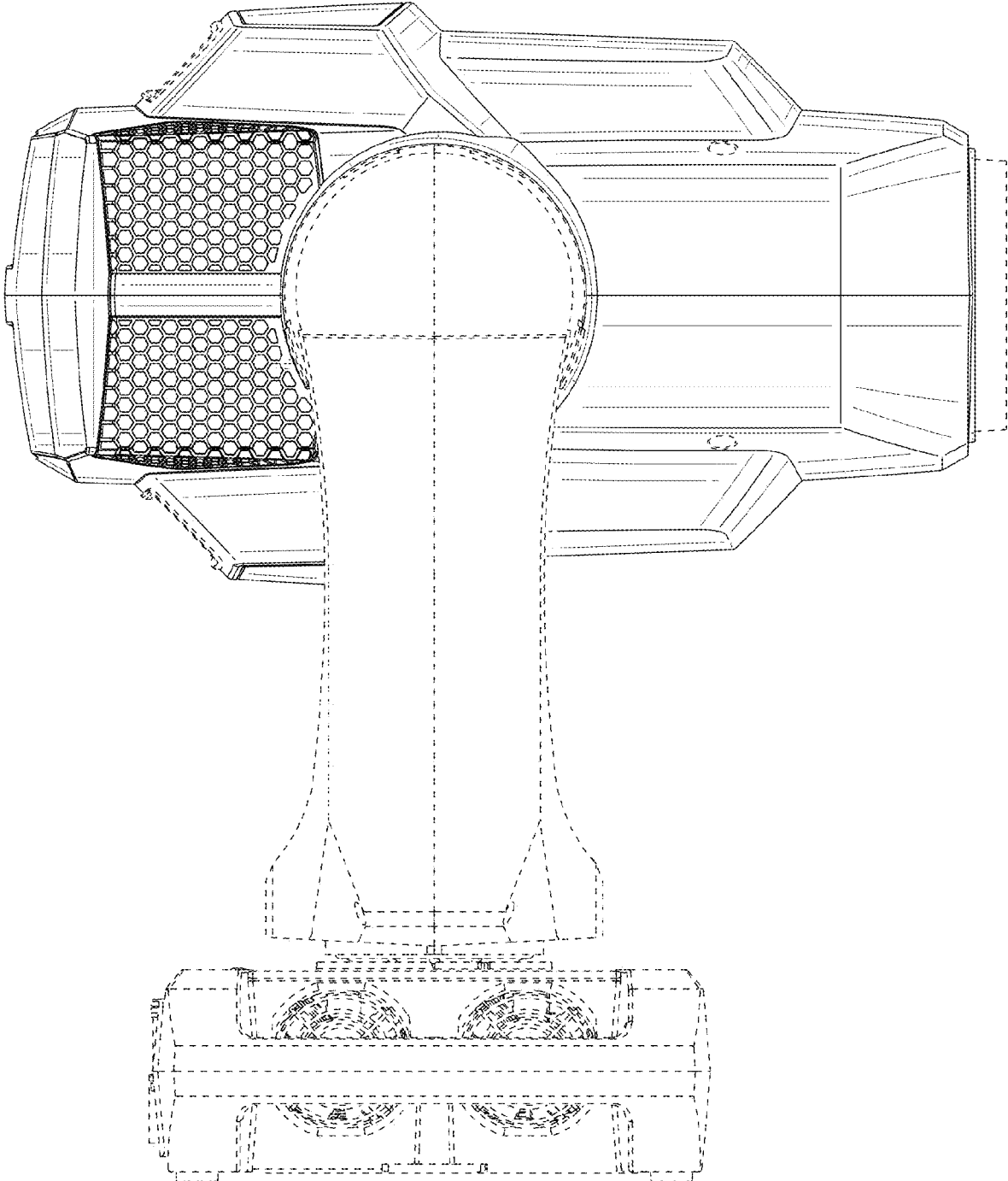


FIG. 5

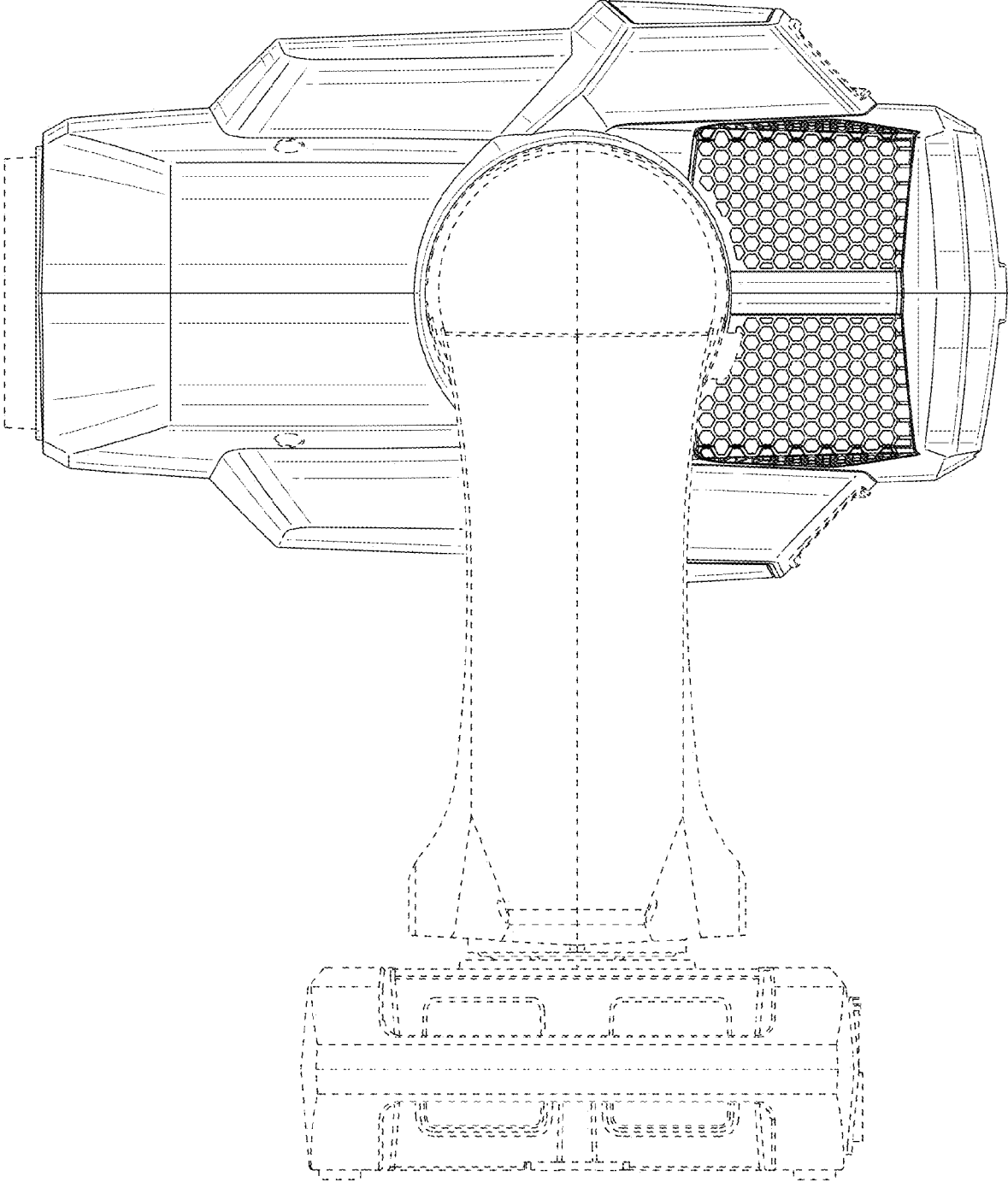


FIG. 6

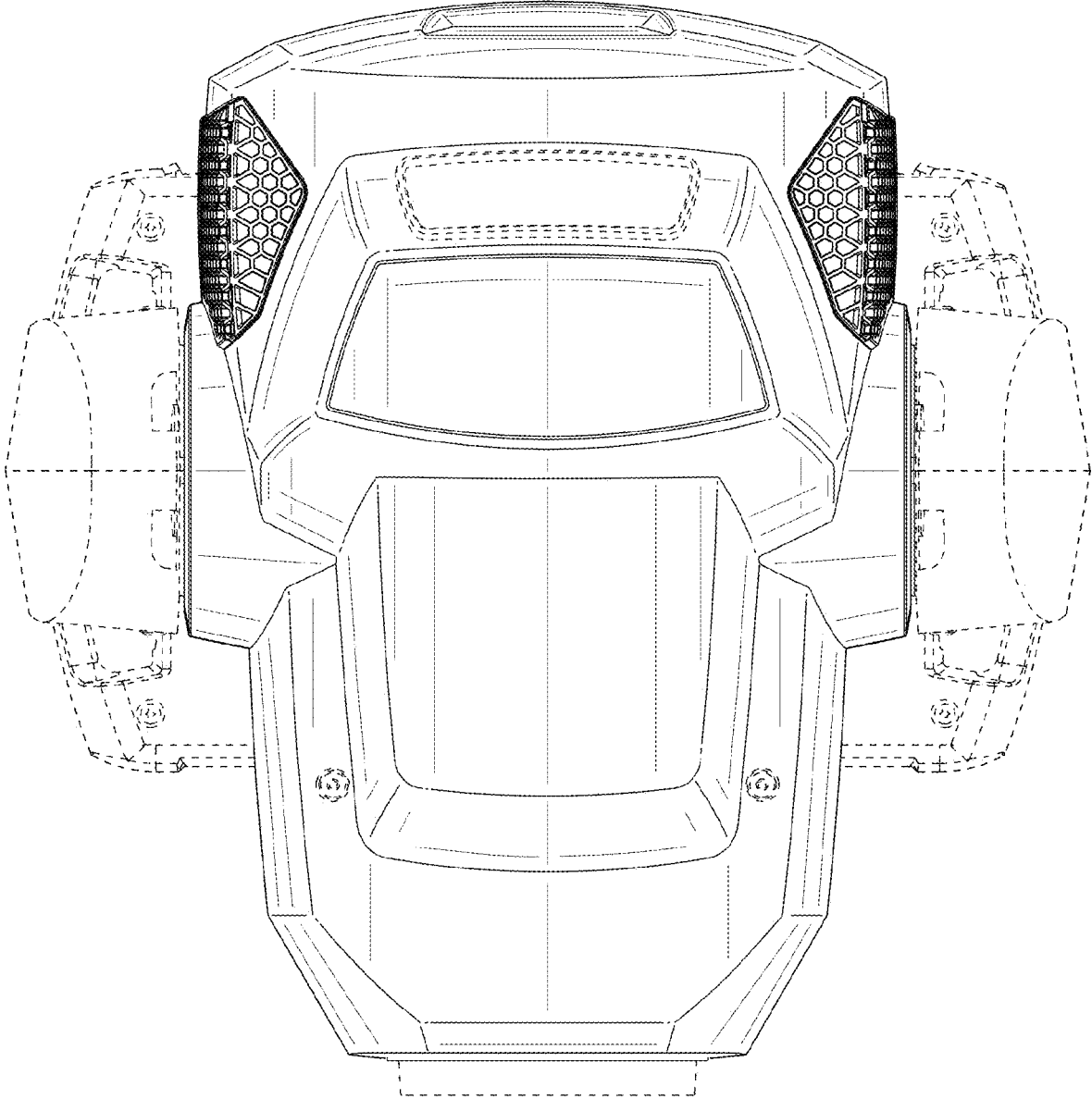


FIG. 7

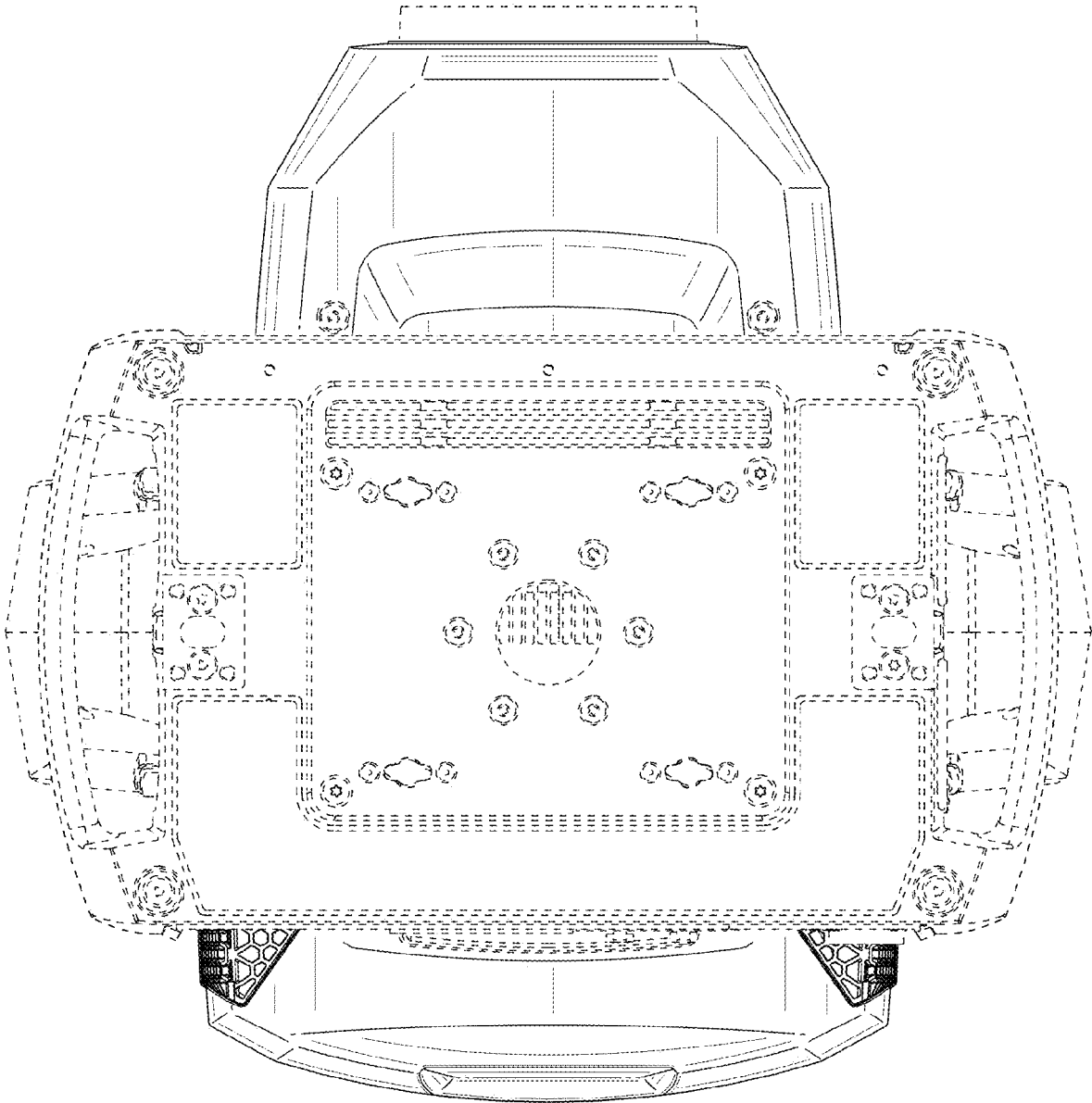


FIG. 8