



US00D861233S

(12) **United States Design Patent**
Jurik et al.

(10) **Patent No.:** **US D861,233 S**

(45) **Date of Patent:** **** Sep. 24, 2019**

- (54) **LUMINAIRE OUTPUT LENS ARRAY**
- (71) Applicant: **Robe Lighting s.r.o.**, Roznov pod Radhostem (CZ)
- (72) Inventors: **Pavel Jurik**, Prostredni Becva (CZ); **Josef Valechar**, Prostredni Becva (CZ)
- (73) Assignee: **Robe Lighting s.r.o.**, Roznov pod Radhostem (CZ)
- (**) Term: **15 Years**
- (21) Appl. No.: **29/643,485**
- (22) Filed: **Apr. 9, 2018**
- (51) **LOC (12) Cl.** **09-03**
- (52) **U.S. Cl.**
USPC **D26/124; D26/120**
- (58) **Field of Classification Search**
USPC D26/1, 2, 13, 24, 34, 35, 36, 40, 61, 63, D26/65, 69, 71, 76, 79, 82, 86, 120, 122, D26/123, 124, 143, 148, 149; D9/755, D9/756, 757; D7/501, 553.1, 553.3, D7/553.6
CPC F21V 5/08; F21V 5/077; F21V 7/0083; F21V 21/00; F21V 21/14; F21V 21/30; F21V 14/00; F21V 14/02; F21V 15/01; F21S 8/00; F21S 8/003; F21S 8/043
See application file for complete search history.

7,354,167	B2 *	4/2008	Cho	G02B 5/09
					359/291
D606,690	S	12/2009	Orrom et al.		
D626,255	S *	10/2010	Hiratsuka	D26/1
D629,547	S	12/2010	Salm		
D629,961	S *	12/2010	Little, Jr.	D26/120
D634,884	S *	3/2011	Yoshinobu	D26/123
D667,582	S	9/2012	Toft		
D672,915	S *	12/2012	Toft	D26/123
D683,493	S *	5/2013	Villamizar	D26/124
D689,232	S	9/2013	Velazquez		
D712,077	S	8/2014	Leban et al.		
D712,087	S *	8/2014	Kjaergaard Toft	D26/123
D728,840	S	5/2015	Eustace		
D740,989	S	10/2015	Vasquez et al.		
D774,688	S	12/2016	Dennis et al.		
D782,718	S	3/2017	Ko		

(Continued)

Primary Examiner — Wan Laymon

Assistant Examiner — Clint A Samuel

(74) *Attorney, Agent, or Firm* — Conley Rose, P.C.; Grant Rodolph; Brooks W Taylor

(57) **CLAIM**

The ornamental design for a luminaire output lens array, as shown and described.

DESCRIPTION

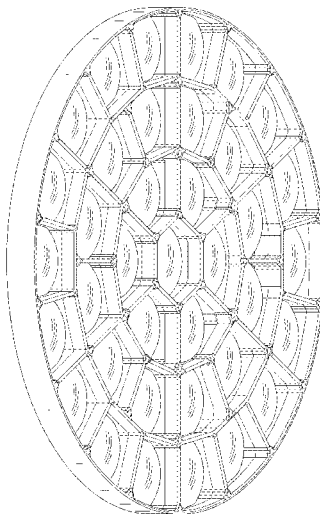
FIG. 1 is a perspective view of a luminaire output lens array in accordance with the new design;
 FIG. 2 is a front view of a luminaire output lens array in accordance with the new design;
 FIG. 3 is a side view of a luminaire output lens array in accordance with the new design; and,
 FIG. 4 is a perspective view of a luminaire output lens array with a luminaire shown in broken lines which forms no part of the claimed design.
 The broken lines shown in the drawings are only provided to illustrate the environment of the design, and form no part of the claimed design.

1 Claim, 4 Drawing Sheets

(56) **References Cited**

U.S. PATENT DOCUMENTS

D194,990	S *	4/1963	Thomasson	D26/123
D202,727	S	11/1965	Hahn		
6,587,618	B2 *	7/2003	Raguin	G02B 6/322
					385/33
D539,943	S *	4/2007	Egawa	D26/24
D539,944	S *	4/2007	Egawa	D26/24
7,315,503	B2 *	1/2008	Cho	G02B 26/0841
					369/112.26



(56)

References Cited

U.S. PATENT DOCUMENTS

D789,581	S	6/2017	Peard	
D819,258	S	5/2018	Jurik et al.	
10,057,451	B2 *	8/2018	Kim	G03B 15/14
D845,530	S *	4/2019	Yu	D26/63
2015/0092267	A1 *	4/2015	Park	G02B 27/2214
				359/463
2015/0131034	A1 *	5/2015	Cho	G02B 3/0018
				349/95
2016/0195237	A1 *	7/2016	Quadri	F21V 5/007
				362/232
2016/0204087	A1 *	7/2016	Zhang	H01L 25/0753
				438/27

* cited by examiner

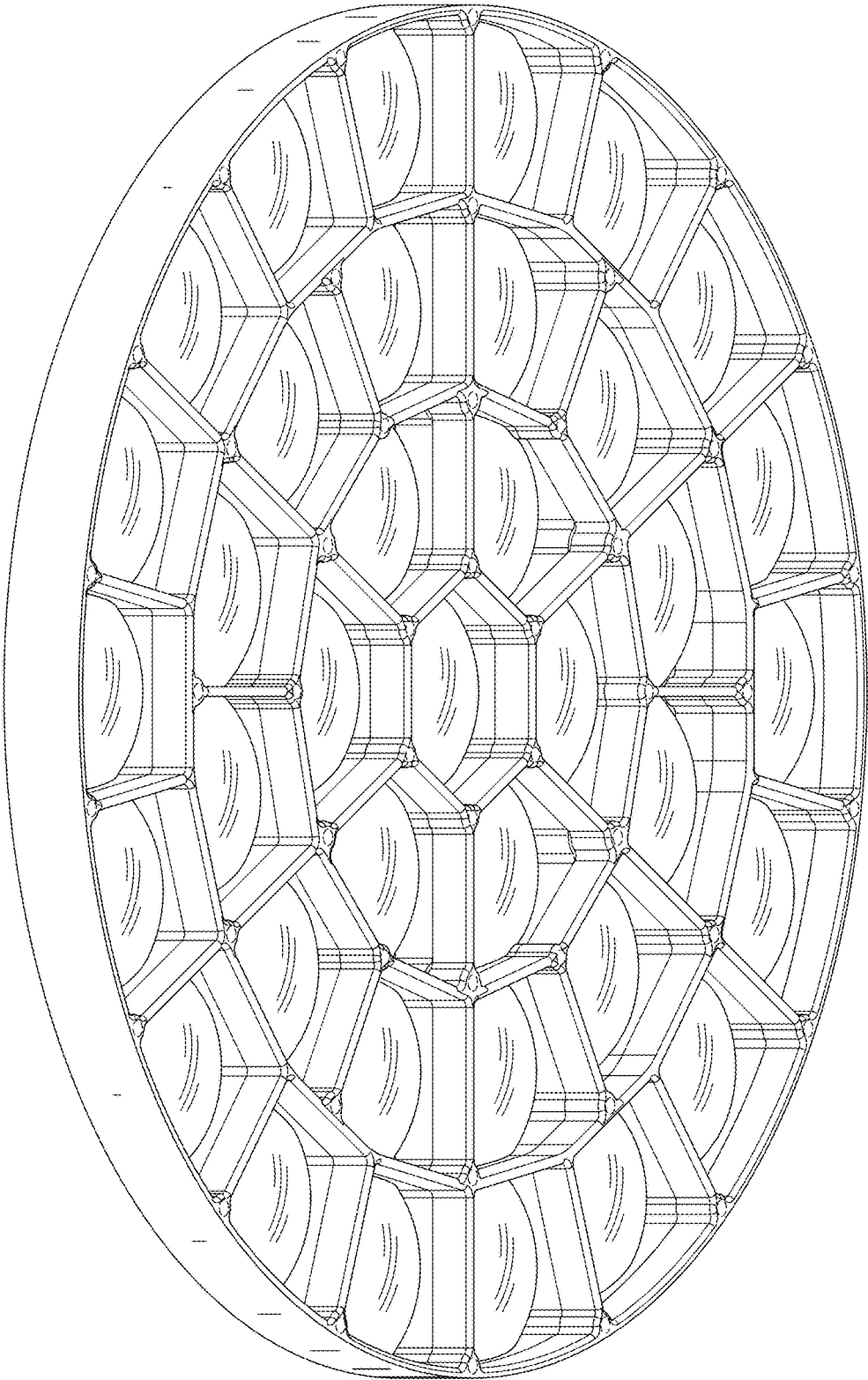


FIG. 1

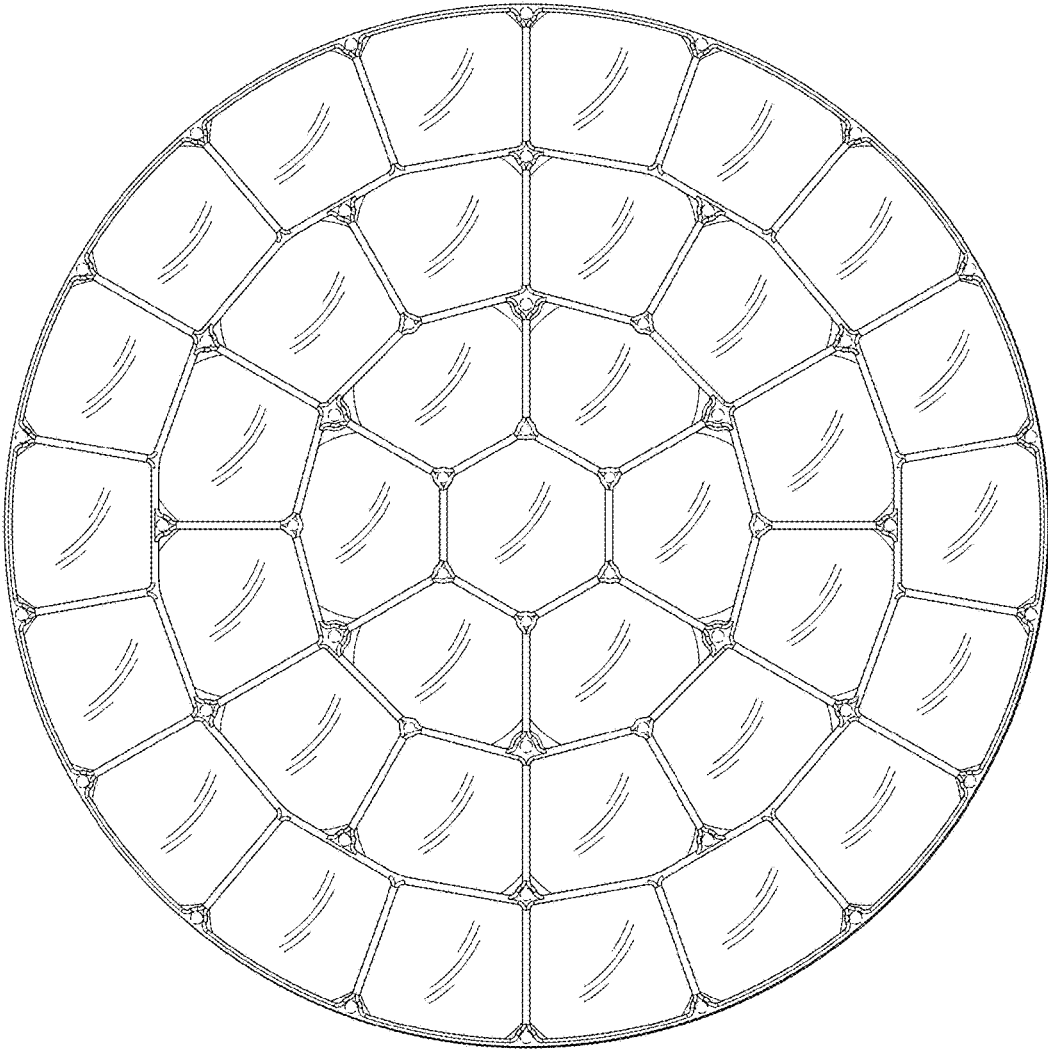


FIG. 2



FIG. 3

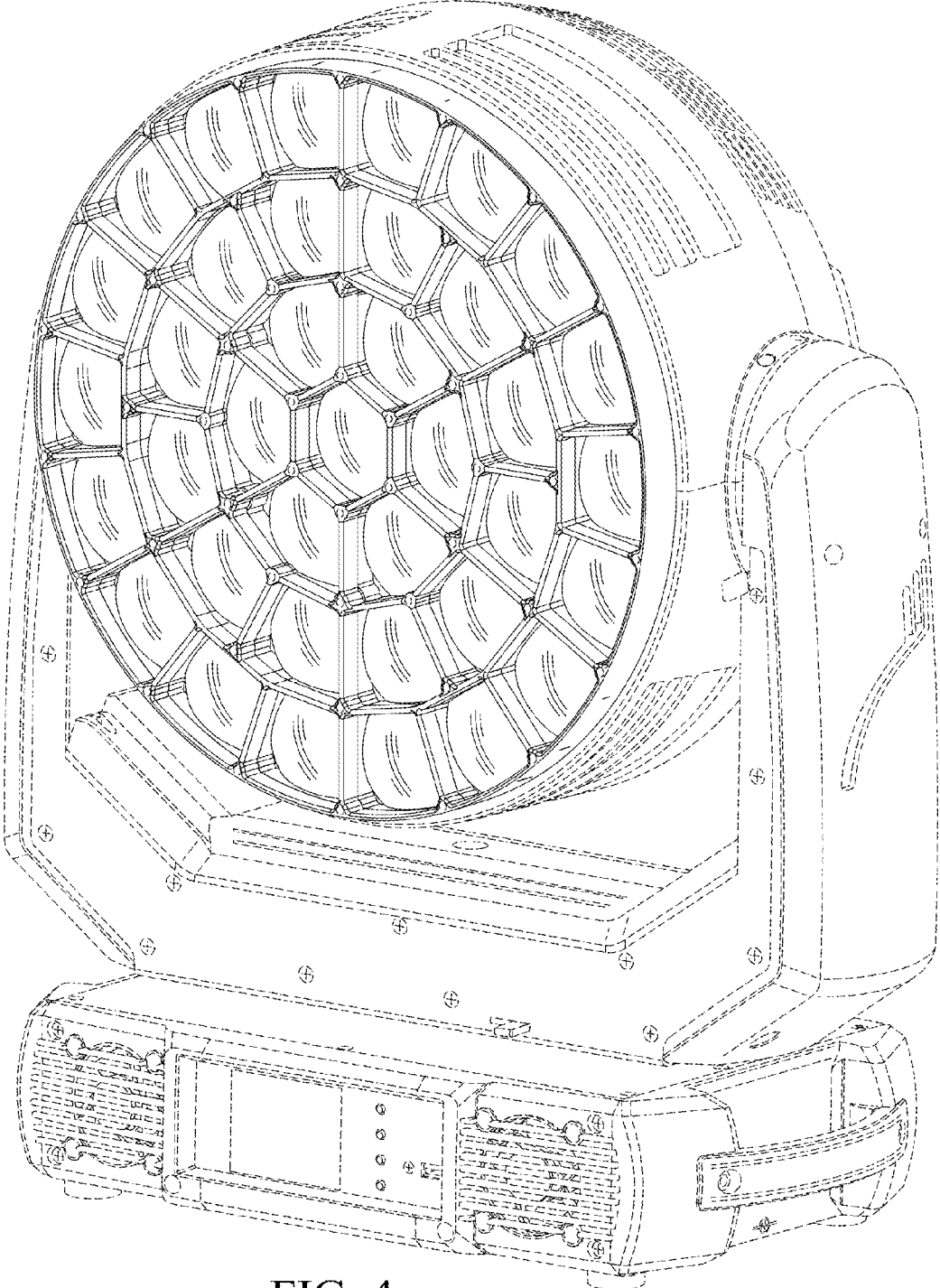


FIG. 4