



US00D780358S

(12) **United States Design Patent**
Kliegl

(10) **Patent No.:** **US D780,358 S**

(45) **Date of Patent:** **** Feb. 28, 2017**

(54) **LIGHTING DEVICE**

(71) Applicant: **Production Resource Group, LLC,**
New Windsor, NY (US)

(72) Inventor: **Robert Kliegl,** Putnam Valley, NY (US)

(73) Assignee: **Production Resource Group, LLC,**
New Windsor, NY (US)

(**) Term: **15 Years**

(21) Appl. No.: **29/543,460**

(22) Filed: **Oct. 23, 2015**

(51) **LOC (10) Cl.** **26-03**

(52) **U.S. Cl.**
USPC **D26/63**

(58) **Field of Classification Search**
USPC D26/1, 24, 61, 63, 65, 85, 92
CPC F21V 21/14; F21V 15/01; F21V 14/02;
F21V 21/30; F21V 21/00; F21V
14/00; F21S 8/00; F21S 8/003; F21S
8/043; F21Y 2105/001

See application file for complete search history.

(56) **References Cited**

U.S. PATENT DOCUMENTS

3,725,695 A * 4/1973 Eversberg F21V 21/35
174/99 B
D287,413 S * 12/1986 Kusmer D26/65

D418,618 S * 1/2000 Shuenn-Fa D26/65
D510,636 S * 10/2005 Yamamoto D26/28
D624,224 S * 9/2010 Guercio D26/61
D663,877 S * 7/2012 Quevy D26/63
D712,580 S * 9/2014 Kliegl D26/63

* cited by examiner

Primary Examiner — Brian N Vinson

(74) *Attorney, Agent, or Firm* — Law Office of Scott C
Harris, Inc

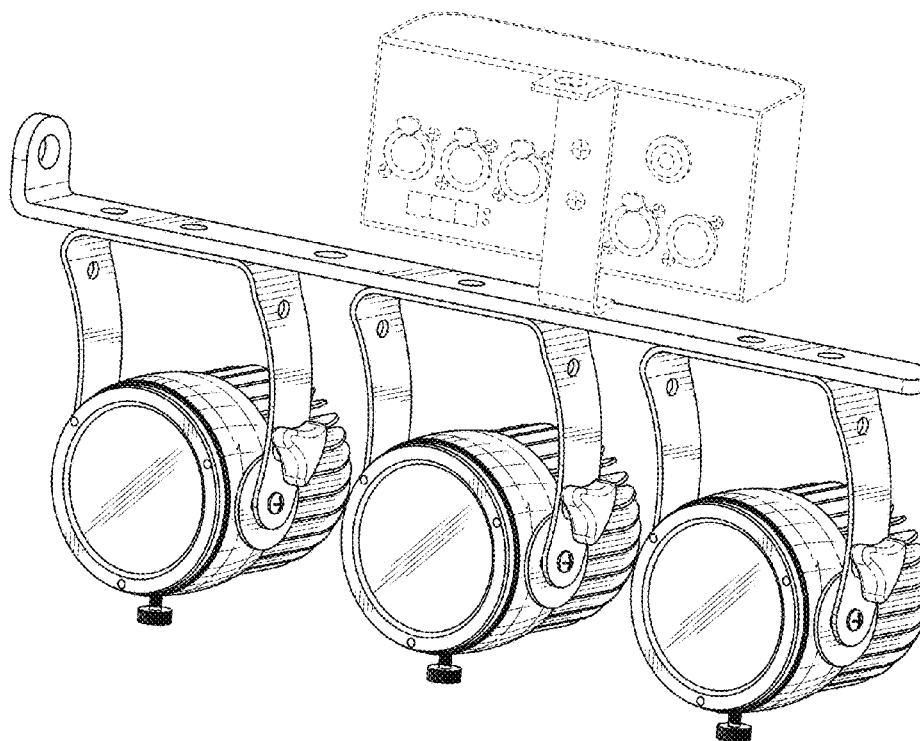
(57) **CLAIM**

The ornamental design for a lighting device, as shown and
described.

DESCRIPTION

FIG. 1 is a side perspective view of the lighting device;
FIG. 2 is a front view of the lighting device;
FIG. 3 shows a rear view of the lighting device;
FIG. 4 shows a side view of the lighting device from a first
side;
FIG. 5 shows a side view of the lighting device from a
second side;
FIG. 6 shows a top view of the lighting device; and,
FIG. 7 shows a bottom view of the lighting device.
The broken line disclosure represents portions of the lighting
device which form no part of the claimed design.

1 Claim, 6 Drawing Sheets



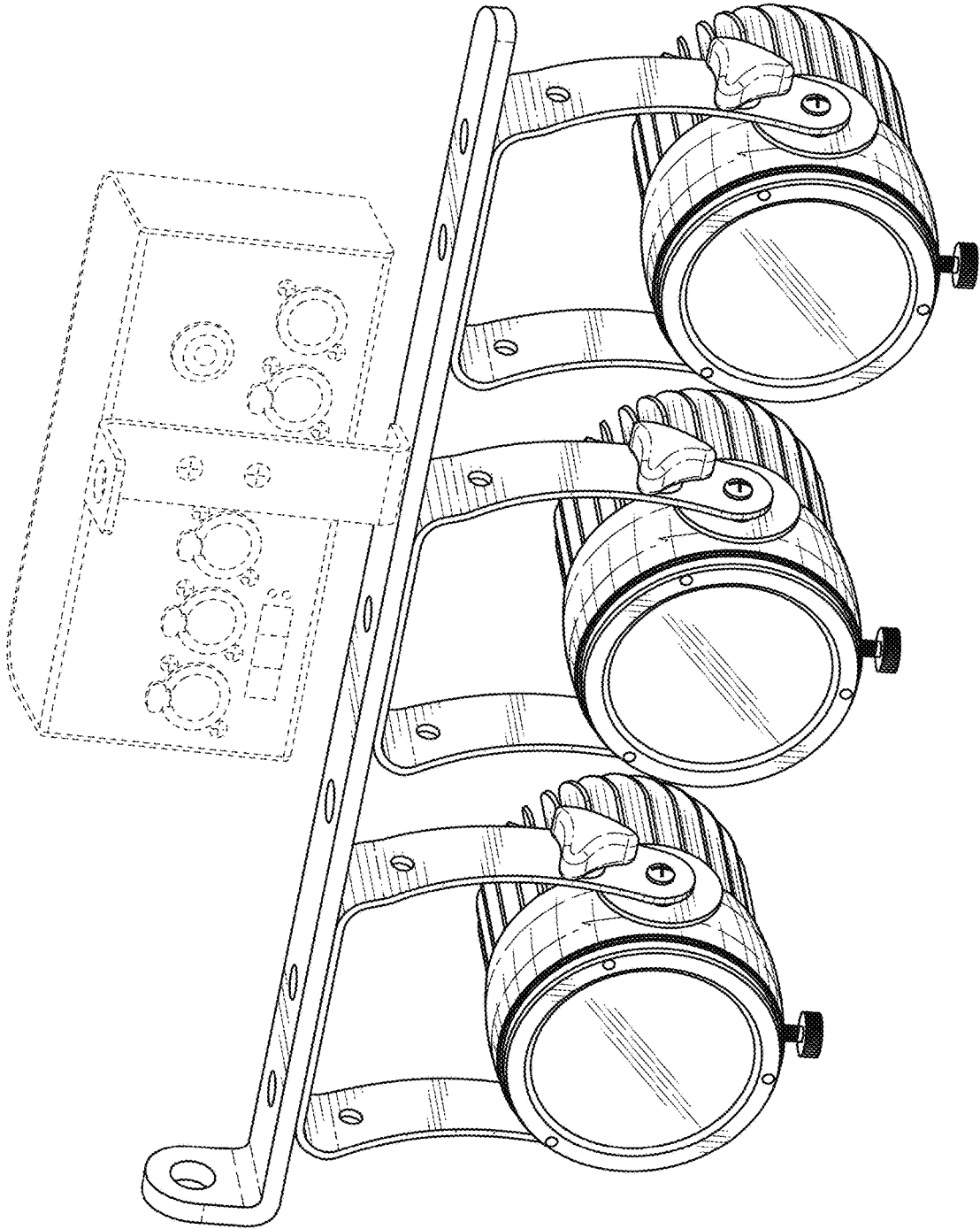


FIG. 1

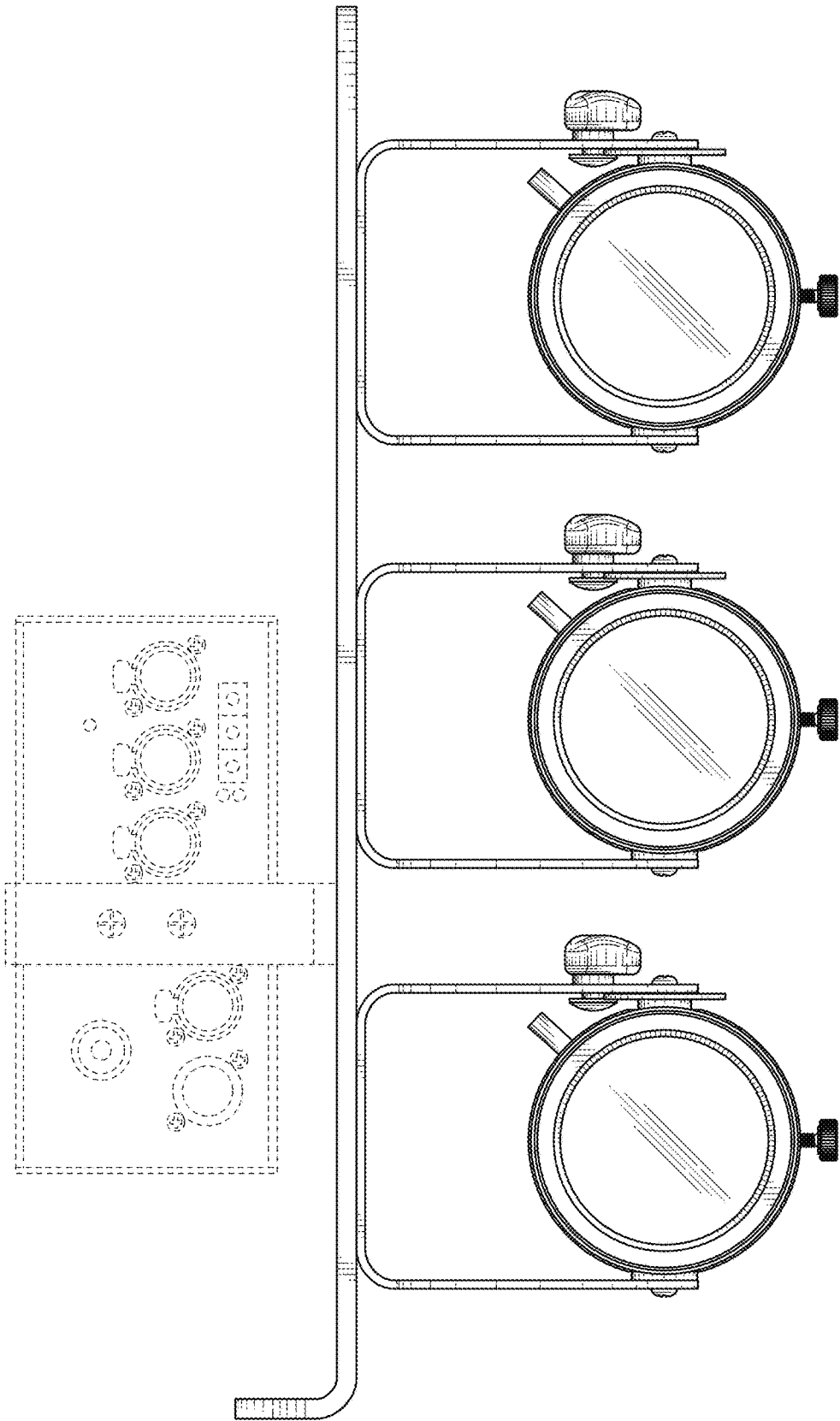


FIG. 2

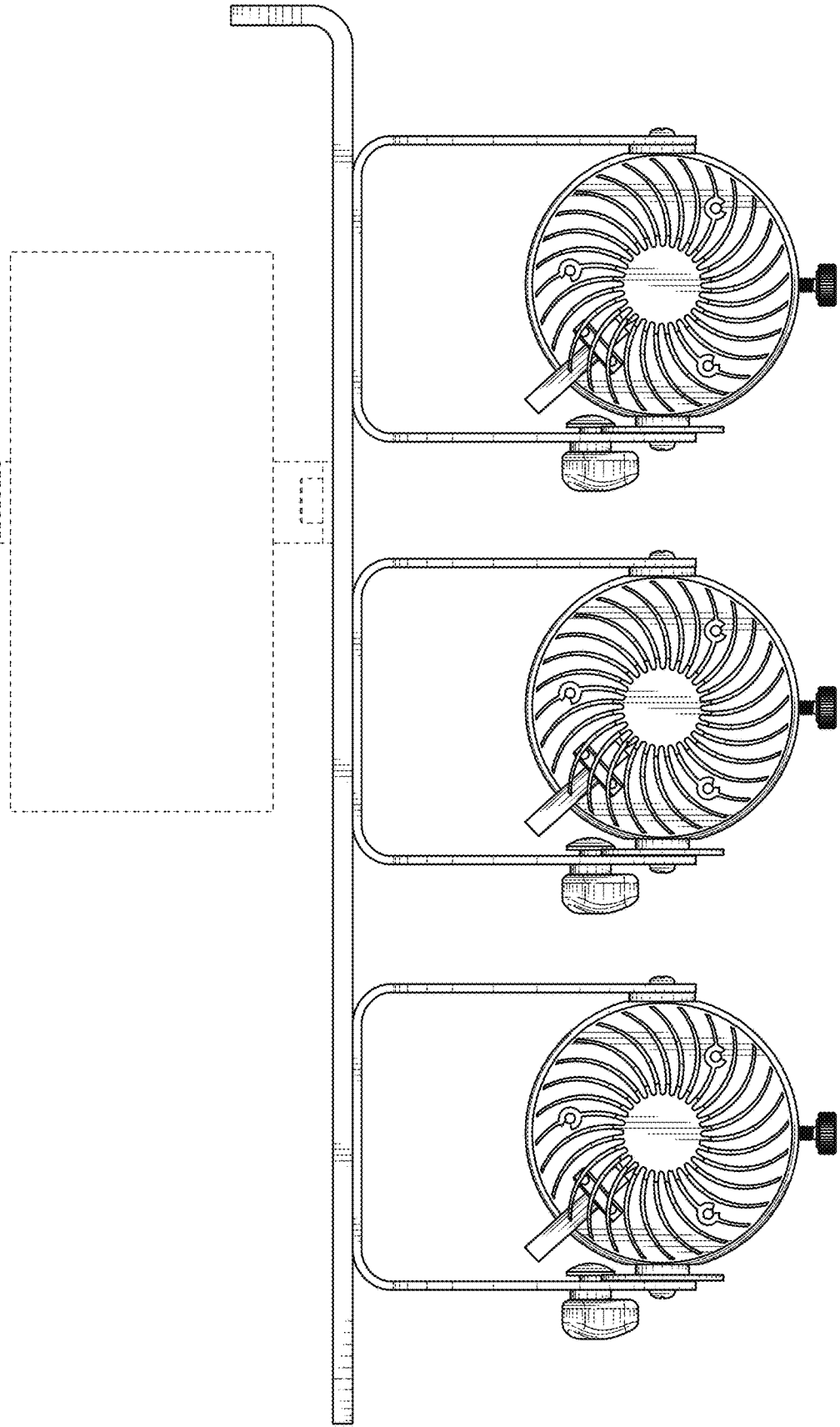


FIG. 3

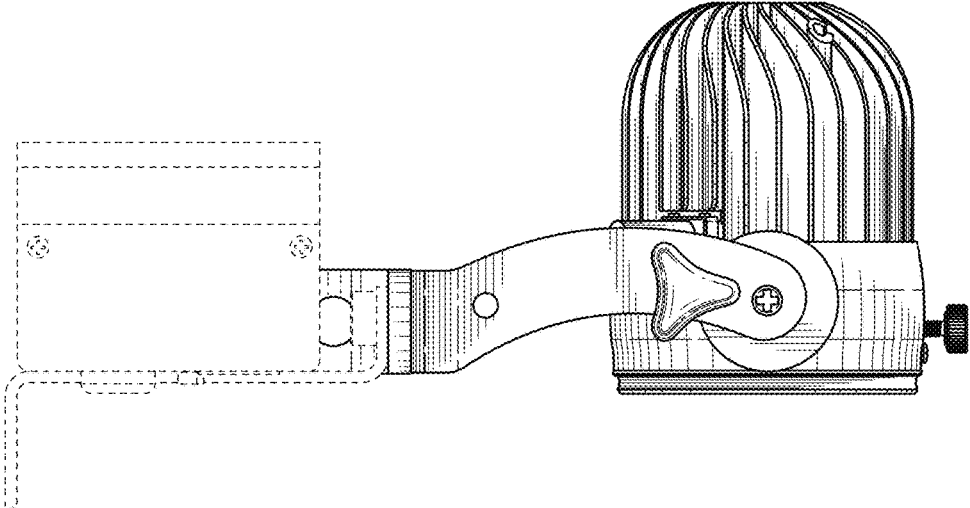


FIG. 5

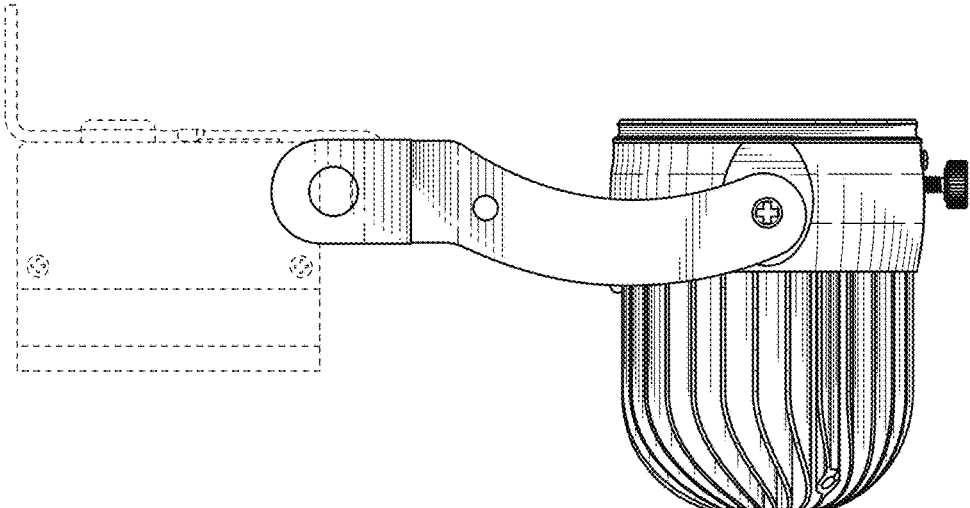


FIG. 4

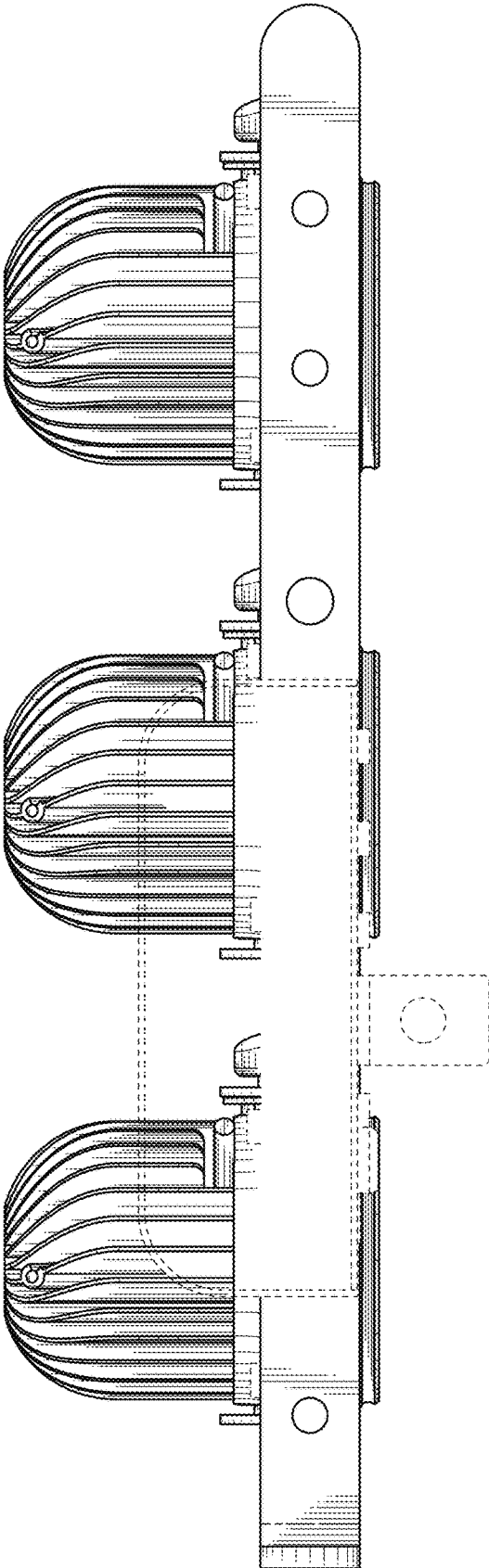


FIG. 6

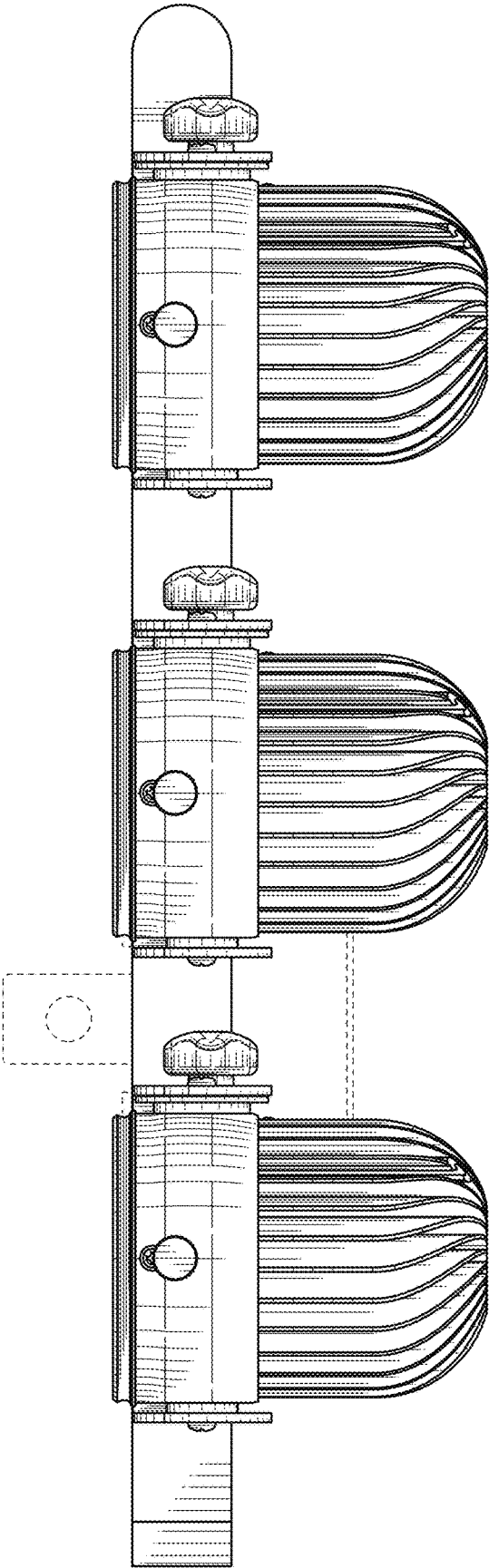


FIG. 7