



US00D712580S

(12) **United States Design Patent**
Kliegl

(10) **Patent No.:** **US D712,580 S**

(45) **Date of Patent:** **** Sep. 2, 2014**

(54) **LIGHT FIXTURE ASSEMBLY**

(71) Applicant: **Robert Kliegl**, New Windsor, NY (US)

(72) Inventor: **Robert Kliegl**, New Windsor, NY (US)

(73) Assignee: **Production Resource Group, L.L.C.**,
New Windsor, NY (US)

(**) Term: **14 Years**

(21) Appl. No.: **29/436,807**

(22) Filed: **Nov. 9, 2012**

(51) **LOC (10) Cl.** **26-05**

(52) **U.S. Cl.**
USPC **D26/63**

(58) **Field of Classification Search**

USPC D26/24, 60-66, 72, 85, 92, 113,
D26/118-119; 362/89, 217.01, 217.02,
362/217.1, 217.14, 217.16, 220, 257,
362/268-69, 275, 277, 282, 285, 310, 362,
362/368, 370, 382, 404, 418, 425, 427, 432,
362/457, 804, 549.04, 648

See application file for complete search history.

(56) **References Cited**

U.S. PATENT DOCUMENTS

3,725,695 A * 4/1973 Eversberg et al. D26/63
D287,413 S * 12/1986 Kusmer et al. D26/65

D418,618 S * 1/2000 Shuenn-Fa D26/65
D510,636 S * 10/2005 Yamamoto D26/28
D624,224 S * 9/2010 Guercio et al. D26/61
D663,877 S * 7/2012 Quevy et al. D26/63

* cited by examiner

Primary Examiner — Brian N Vinson

(74) *Attorney, Agent, or Firm* — Law Office of Scott C. Harris, Inc.

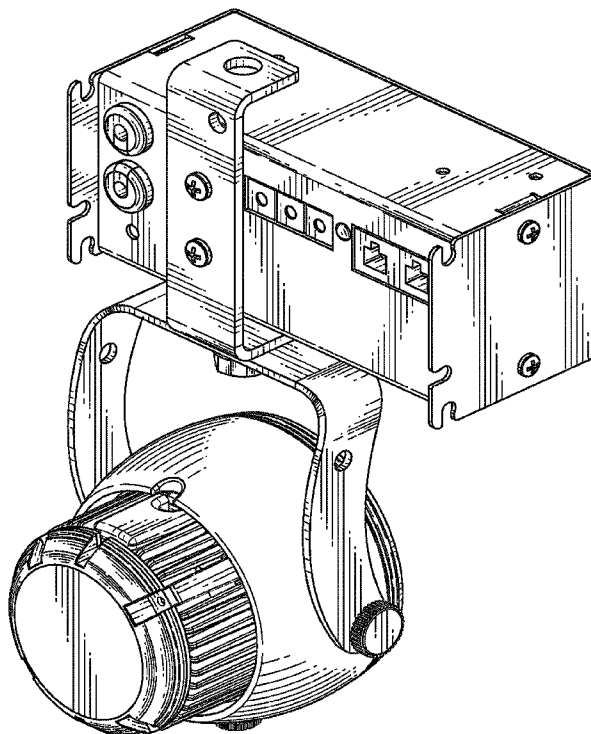
(57) **CLAIM**

I claim the ornamental design for a light fixture assembly, as shown and described.

DESCRIPTION

FIG. 1 is a rear view of the light fixture assembly;
FIG. 2 is a front view of the light fixture assembly;
FIG. 3 shows a back view of the light fixture assembly;
FIG. 4 shows the pieces of the light fixture assembly from the front;
FIG. 5 shows a front-on view of the light fixture assembly;
FIG. 6 shows a rear-on view of the light fixture assembly;
FIG. 7 shows a side-on view of the light fixture assembly;
FIG. 8 shows a top-on view of the light fixture assembly; and,
FIG. 9 shows a bottom-on view of the light fixture assembly.
The portions shown in broken lines form no part of the claimed design.

1 Claim, 8 Drawing Sheets



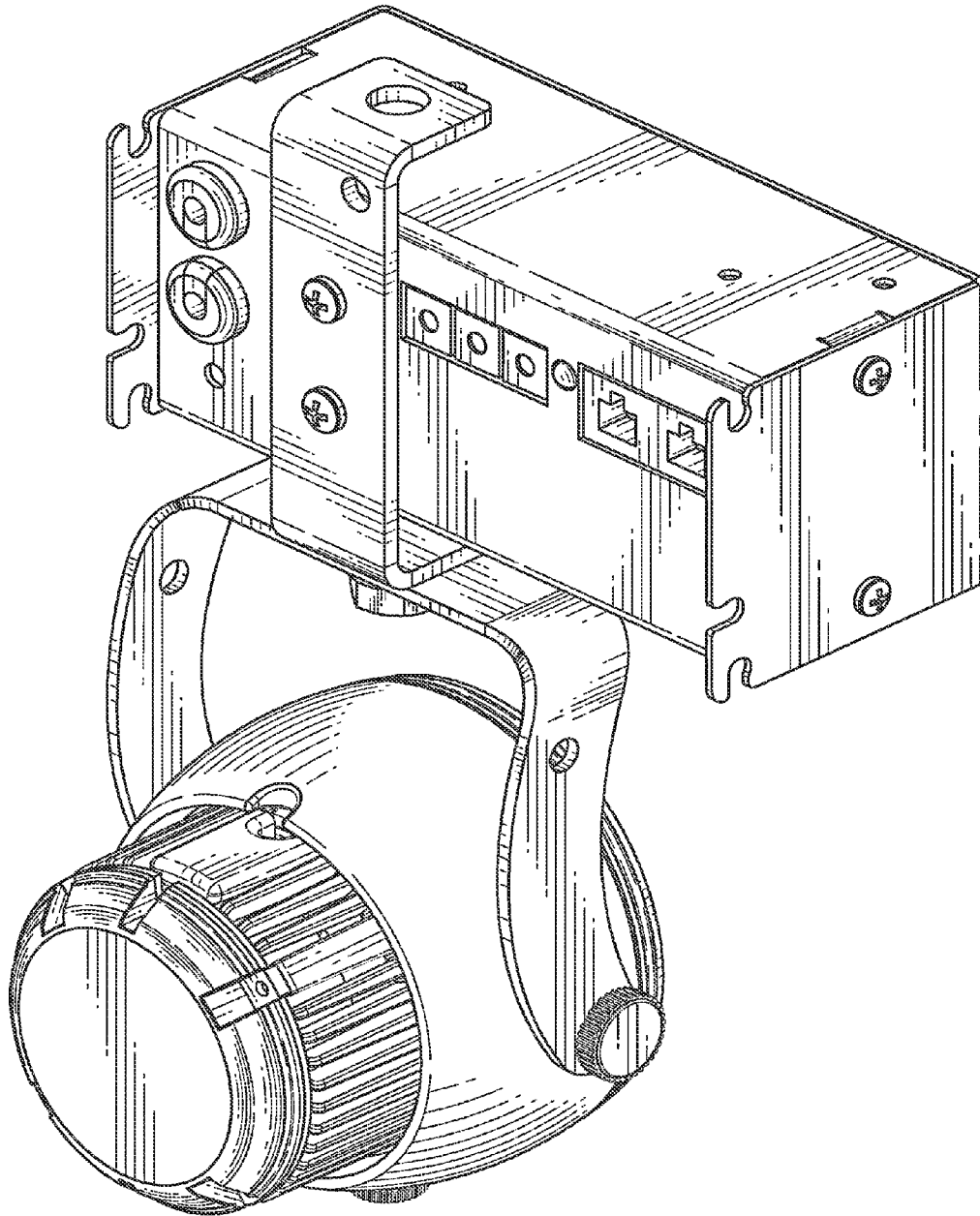


FIG. 1

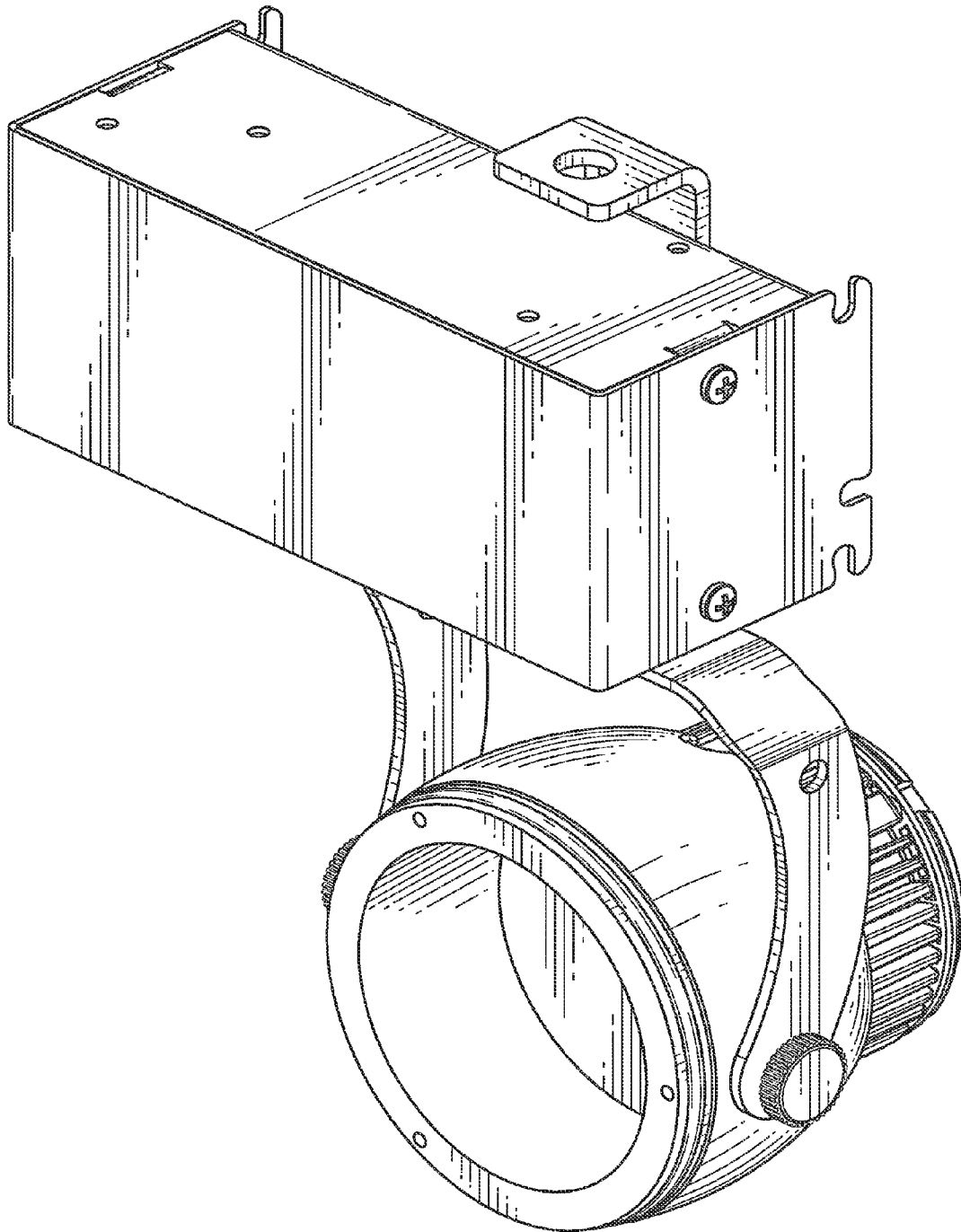


FIG. 2

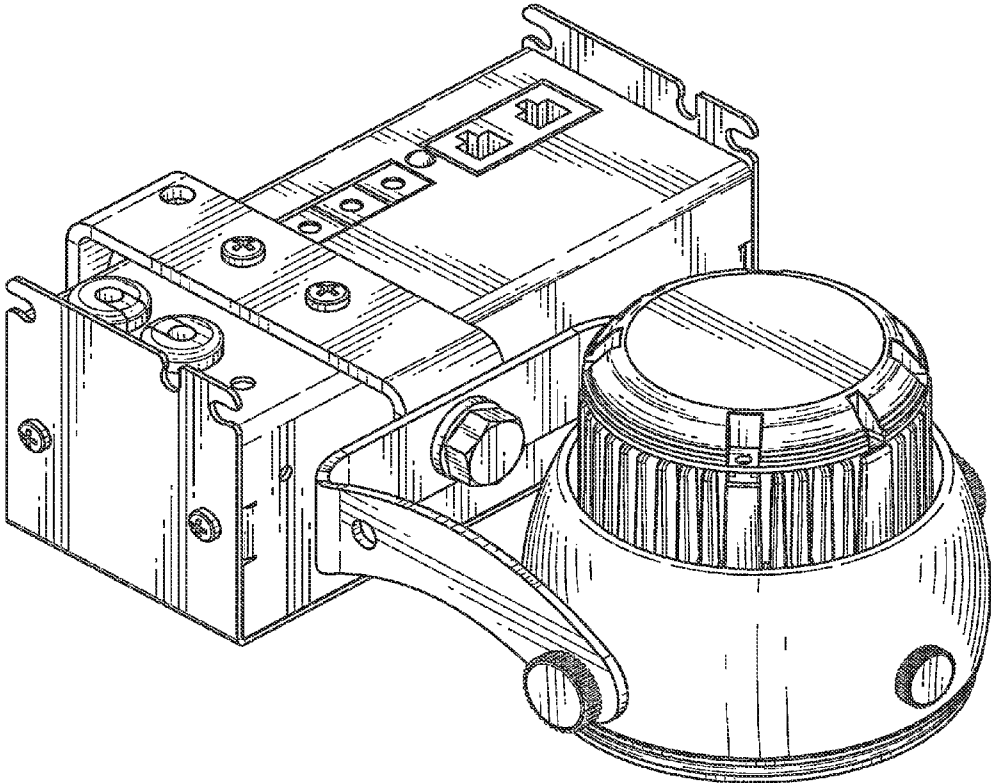


FIG. 3

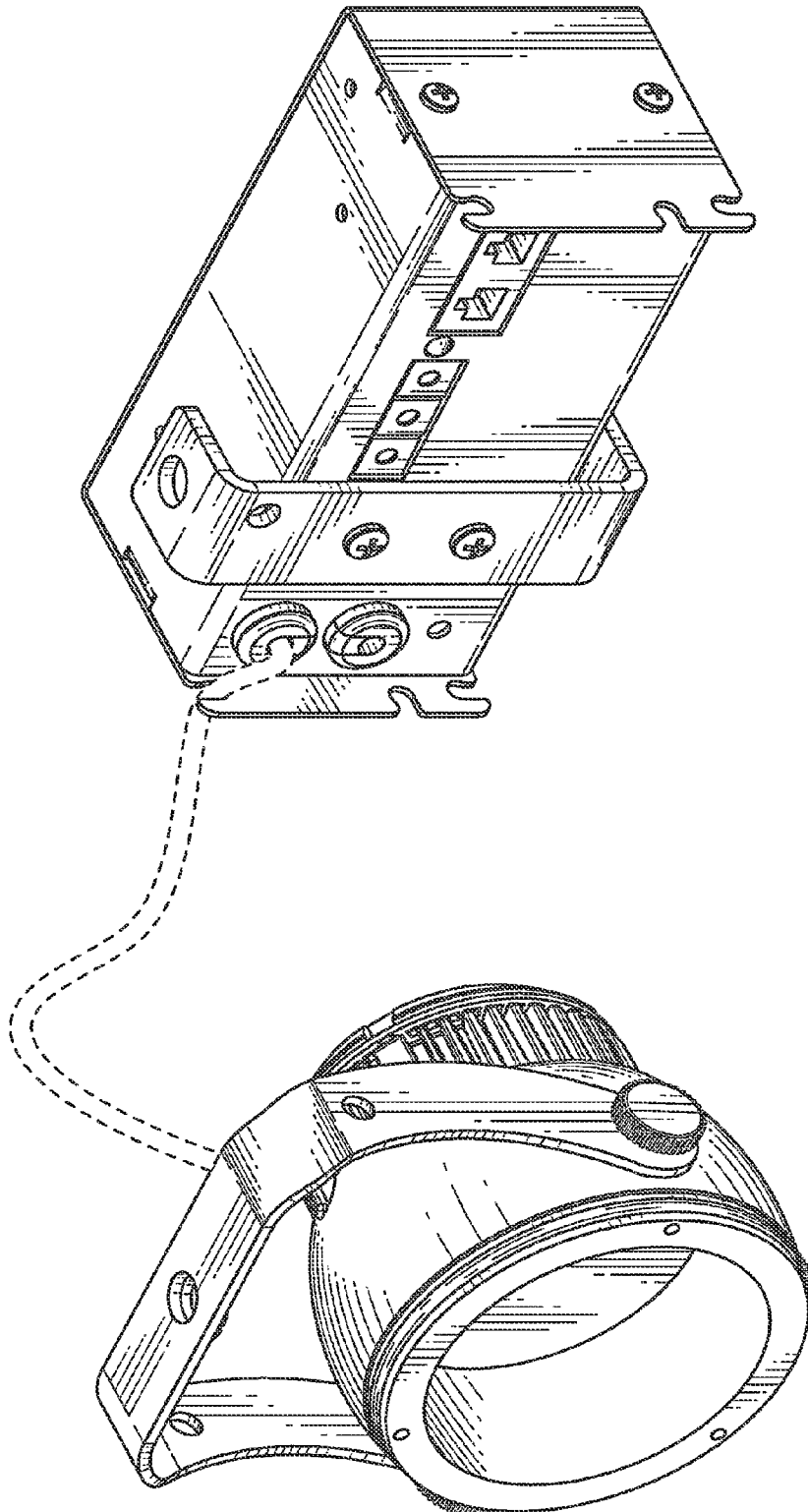


FIG. 4

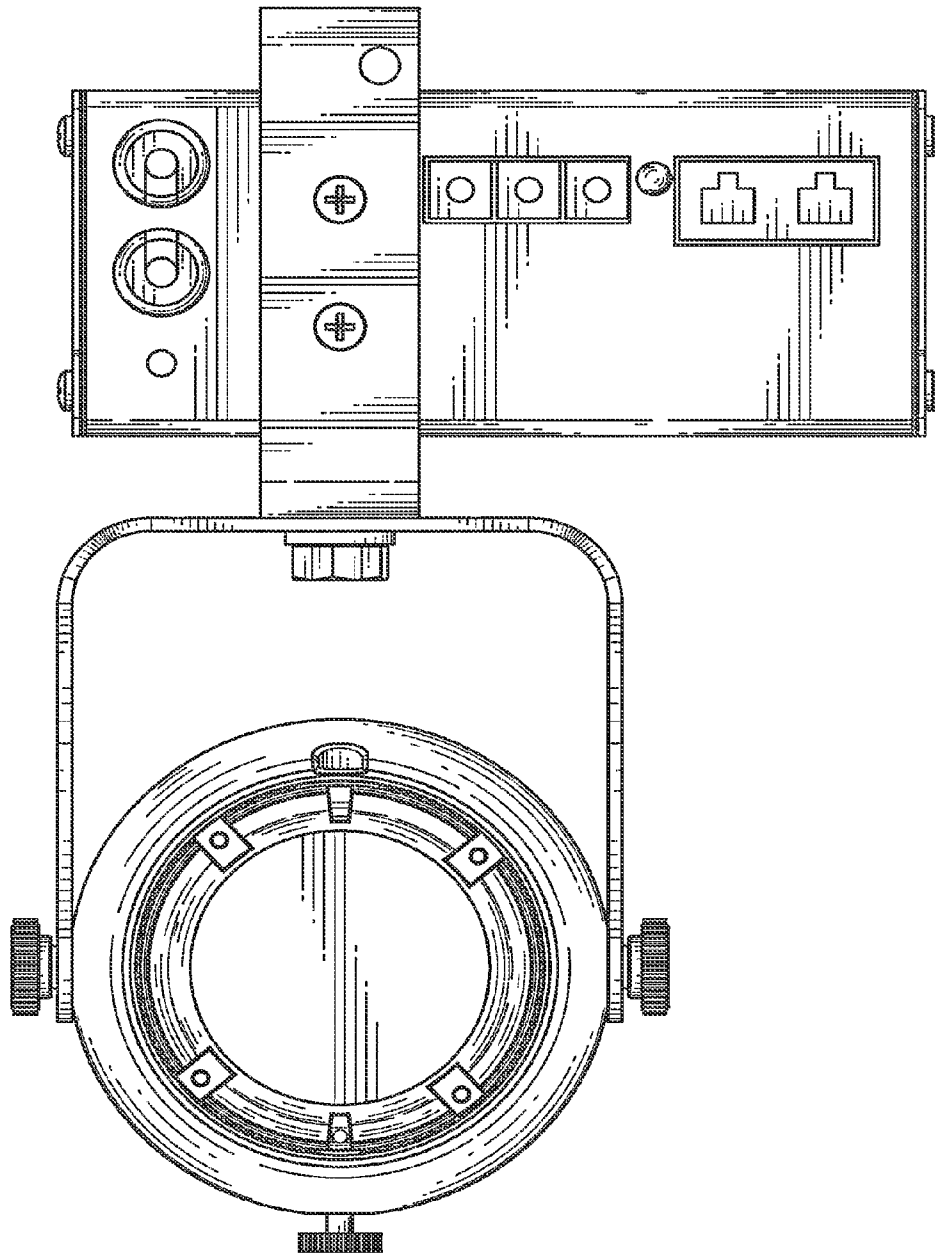


FIG. 5

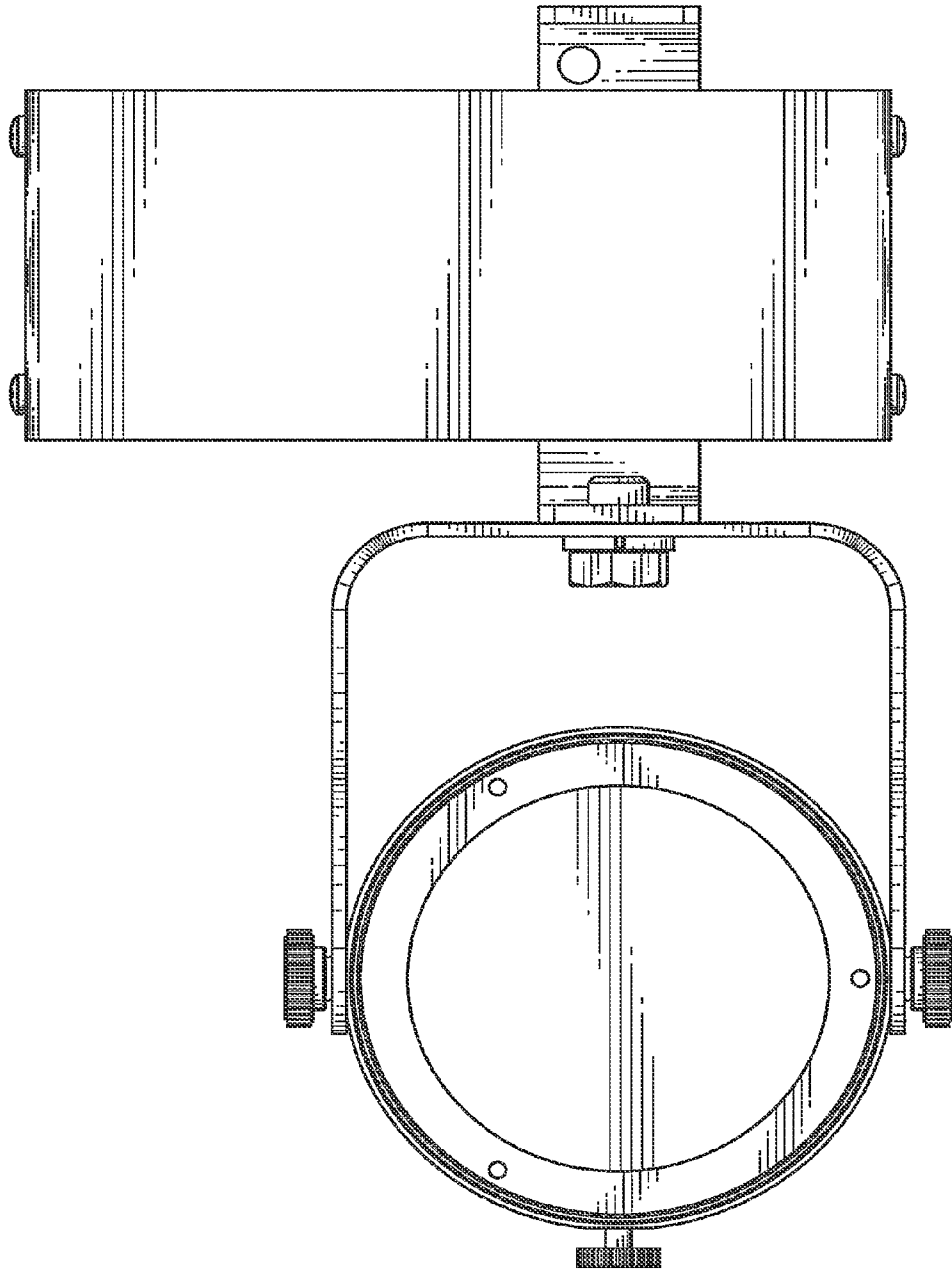


FIG. 6

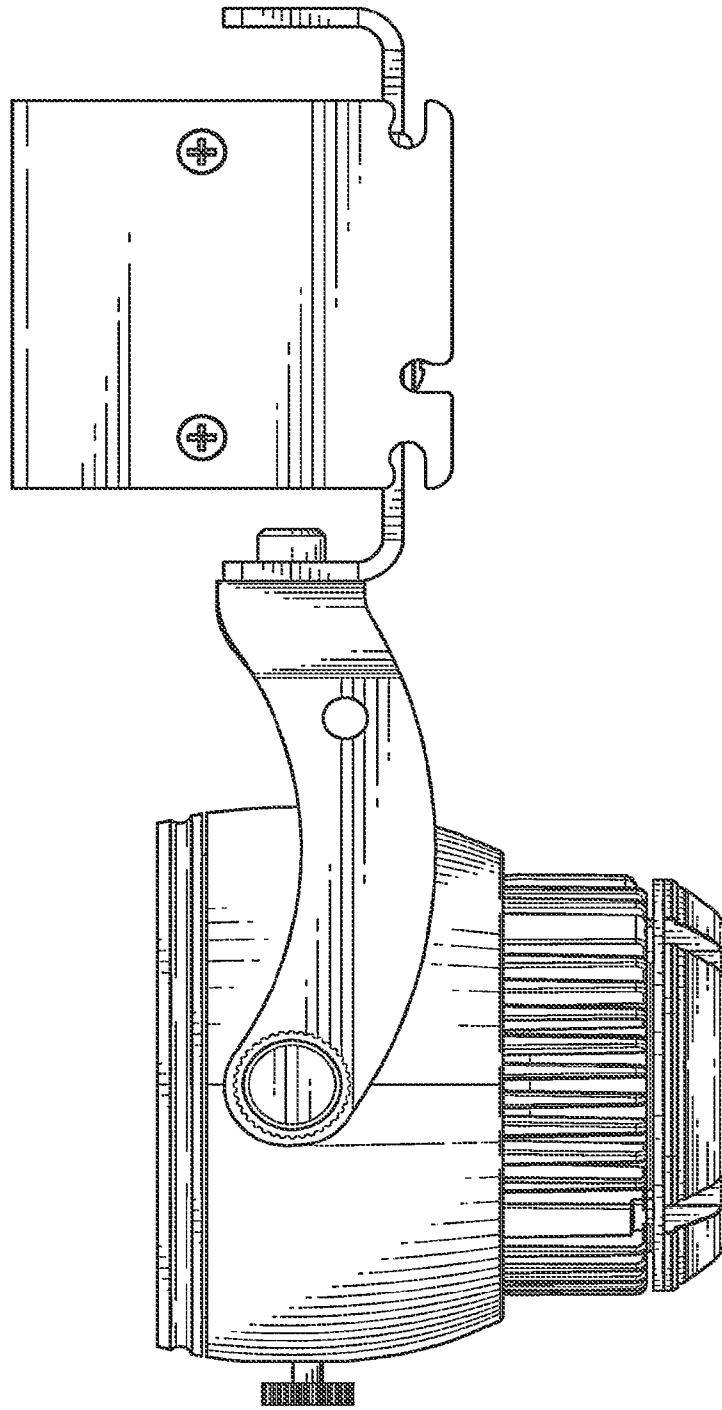


FIG. 7

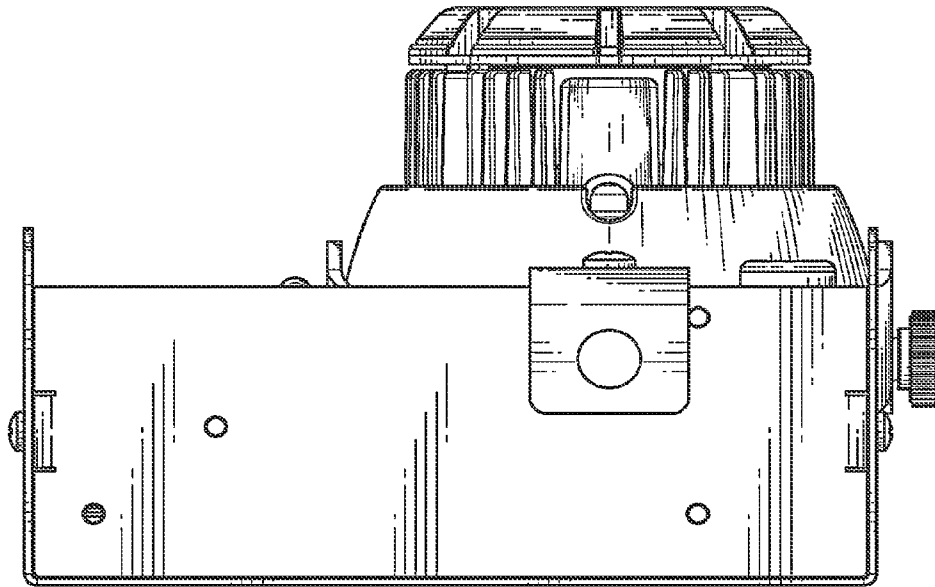


FIG. 8

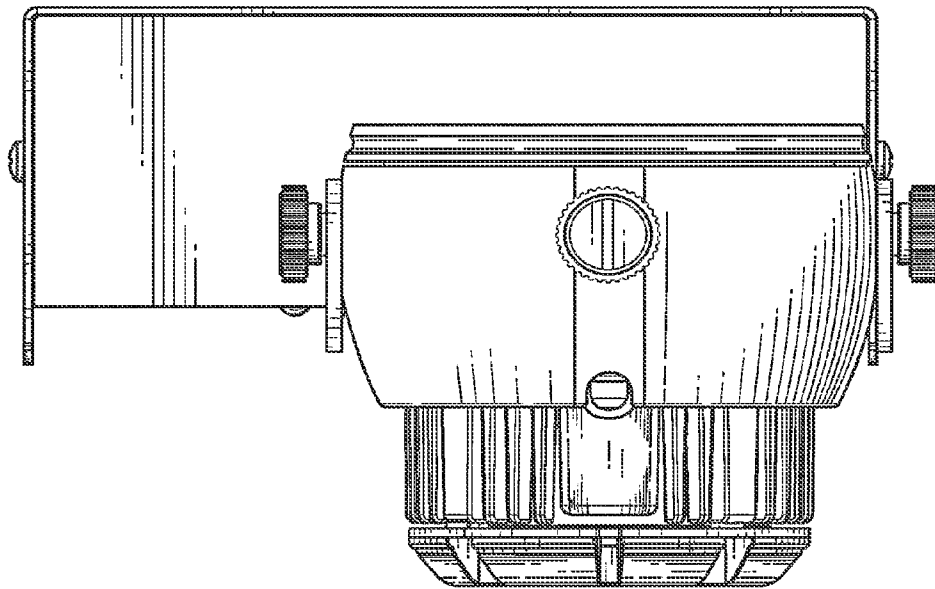


FIG. 9