



US0D1036737S

(12) **United States Design Patent**
Toft

(10) **Patent No.:** **US D1,036,737 S**

(45) **Date of Patent:** **** Jul. 23, 2024**

(54) **LIGHTING DEVICE**

(71) Applicant: **Harman International Industries, Incorporated**, Northridge, CA (US)

(72) Inventor: **Uffe Kjaergaard Toft**, Højbjerg (DK)

(73) Assignee: **Harman International Industries, Incorporated**, Northridge, CA (US)

(**) Term: **15 Years**

(21) Appl. No.: **29/858,742**

(22) Filed: **Nov. 3, 2022**

(51) **LOC (14) Cl.** **26-05**

(52) **U.S. Cl.**
USPC **D26/63**

(58) **Field of Classification Search**
USPC D26/24, 44, 61, 63, 65, 72, 110, 118,
D26/120, 123, 124, 28, 29
CPC F21V 21/14; F21V 21/15; F21V 21/30;
F21V 5/007; F21V 23/06; F21V 23/009;
F21S 8/00; F21S 8/04; F21S 8/003; F21S
8/043; F21S 8/046; F21S 10/00; F21S
10/06; F21S 10/007; F21S 10/063; F21S
9/04; F21W 2131/10; F21W 2131/105;
F21W 2131/406; F21W 2131/407; F21W
2131/1005; F21Y 2113/13

See application file for complete search history.

(56) **References Cited**

U.S. PATENT DOCUMENTS

D359,574 S *	6/1995	Bornhorst	D26/65
D589,636 S *	3/2009	Pinette	D26/63
D618,377 S *	6/2010	Toft	D26/63
D667,582 S *	9/2012	Toft	F21V 21/30
				D26/63
D694,927 S *	12/2013	Toft	D26/63
D700,385 S *	2/2014	Quadri	D26/63
D702,386 S *	4/2014	Valeri	D26/63
D748,831 S *	2/2016	Fan	D26/28

D789,581 S *	6/2017	Peard	D26/61
D821,012 S *	6/2018	Gong	D26/63
D845,530 S *	4/2019	Yu	D26/63
D866,832 S *	11/2019	Amin	D26/63
D866,833 S *	11/2019	Amin	D26/63
D866,834 S *	11/2019	Amin	D26/63
D884,949 S *	5/2020	Amin	D26/63
D885,628 S *	5/2020	Amin	D26/63
D889,013 S *	6/2020	Pan	D26/63
D895,186 S *	9/2020	Merovitz	D26/63
D898,265 S *	10/2020	Bao	D26/63
D901,740 S *	11/2020	Bao	D26/44

(Continued)

OTHER PUBLICATIONS

UKing 150W Moving Head Lights; Retrieved from www.amazon.com at https://www.amazon.com/dp/B09YM6YMBY; Retrieved on Oct. 20, 2023; First available on Apr. 21, 2022 (Year: 2022).*

(Continued)

Primary Examiner — Clint A Samuel
(74) *Attorney, Agent, or Firm* — Angela M. Brunetti

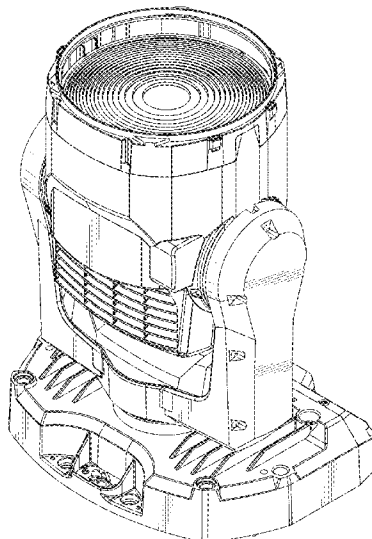
(57) **CLAIM**

The ornamental design for a lighting device, as shown and described.

DESCRIPTION

FIG. 1 is a top perspective view of a lighting device showing the new design;
FIG. 2 is a front elevational view thereof;
FIG. 3 is a side elevational view thereof;
FIG. 4 is an opposite side elevational view thereof;
FIG. 5 is a top view thereof;
FIG. 6 is a bottom view thereof; and,
FIG. 7 is a rear elevational view thereof.
The broken line showing in the drawings is included for the purpose of illustrating portions of the lighting device and forms no part of the claimed design.

1 Claim, 6 Drawing Sheets



(56)

References Cited

U.S. PATENT DOCUMENTS

D904,661 S * 12/2020 Toft D26/63
 D911,566 S * 2/2021 Lv D26/63
 D911,569 S * 2/2021 Lv D26/63
 D930,214 S * 9/2021 Kallestrup D26/63
 D956,302 S * 6/2022 Xu D26/118
 D957,023 S * 7/2022 Greenwaldt D26/63
 D965,829 S * 10/2022 Zhang D26/24
 D969,374 S * 11/2022 Huang D26/63
 D984,698 S * 4/2023 Du D26/36
 D995,861 S * 8/2023 Sun D26/63
 D995,862 S * 8/2023 Sun D26/63
 D1,004,812 S * 11/2023 Ma D26/29
 11,879,630 B2 * 1/2024 Rasmussen F21V 21/30
 D1,014,800 S * 2/2024 Peng D26/63
 D1,018,931 S * 3/2024 Liu D26/63
 D1,020,007 S * 3/2024 Yin D26/63
 2011/0199770 A1 * 8/2011 Pedersen F21V 21/30
 362/249.03

2011/0261568 A1 * 10/2011 Dalsgaard F21V 21/30
 362/249.03
 2012/0287627 A1 * 11/2012 Campbell F21V 29/80
 29/592.1
 2016/0178165 A1 * 6/2016 Quadri F21V 21/30
 362/232
 2018/0156430 A1 * 6/2018 Johansen F21V 21/30
 2018/0306426 A1 * 10/2018 Patterson F21V 21/30
 2019/0056096 A1 * 2/2019 Jurik F21V 19/02
 2022/0057059 A1 * 2/2022 Jiang G01B 7/30
 2023/0413399 A1 * 12/2023 Pirozzi H05B 47/155

OTHER PUBLICATIONS

Shehds Moving Head Lights; Retrieved from www.amazon.com at <https://www.amazon.com/dp/B0B452L1ZV>; Retrieved on Oct. 20, 2023; First available on Jun. 15, 2022 (Year: 2022).*

* cited by examiner

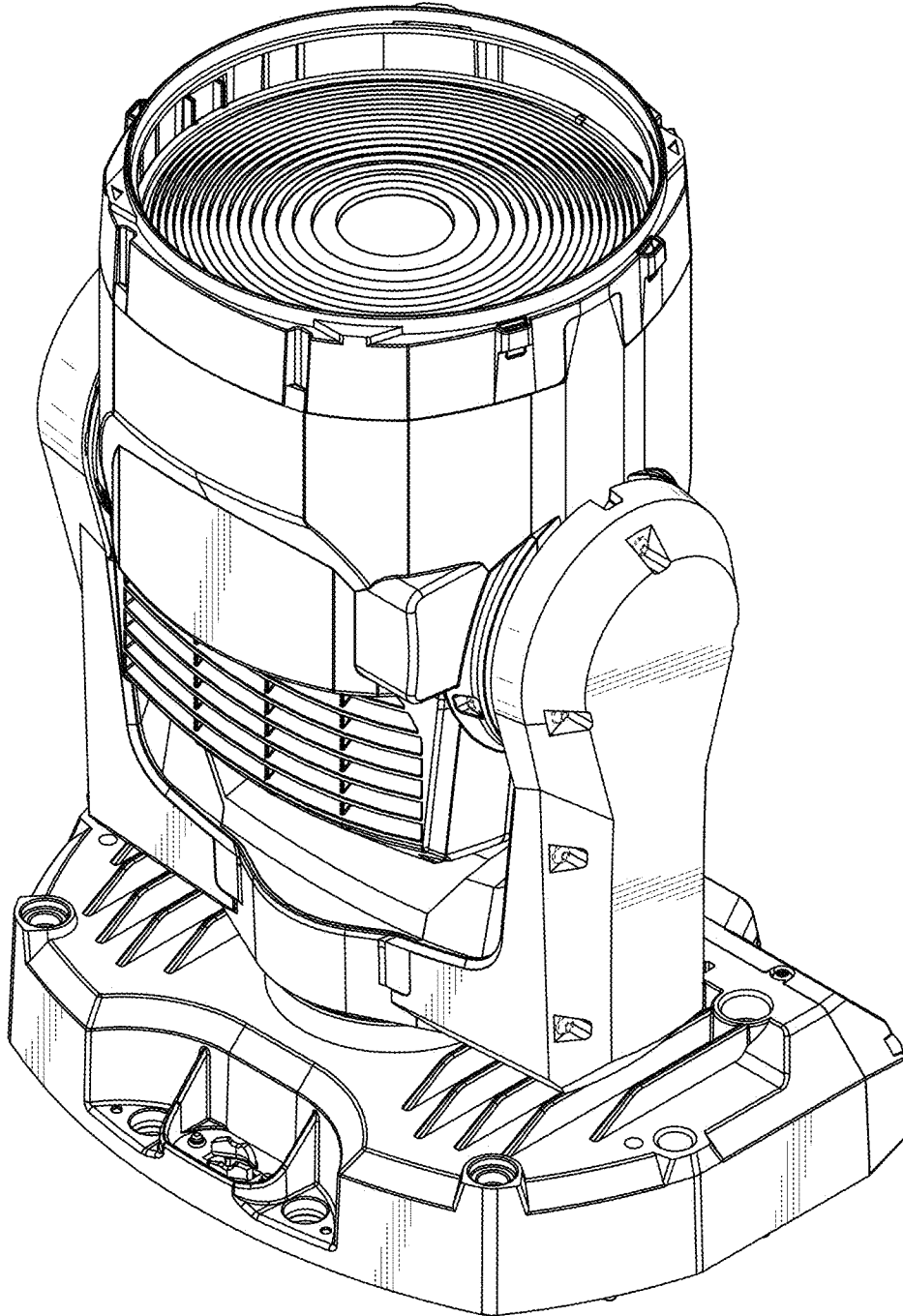


FIG. 1

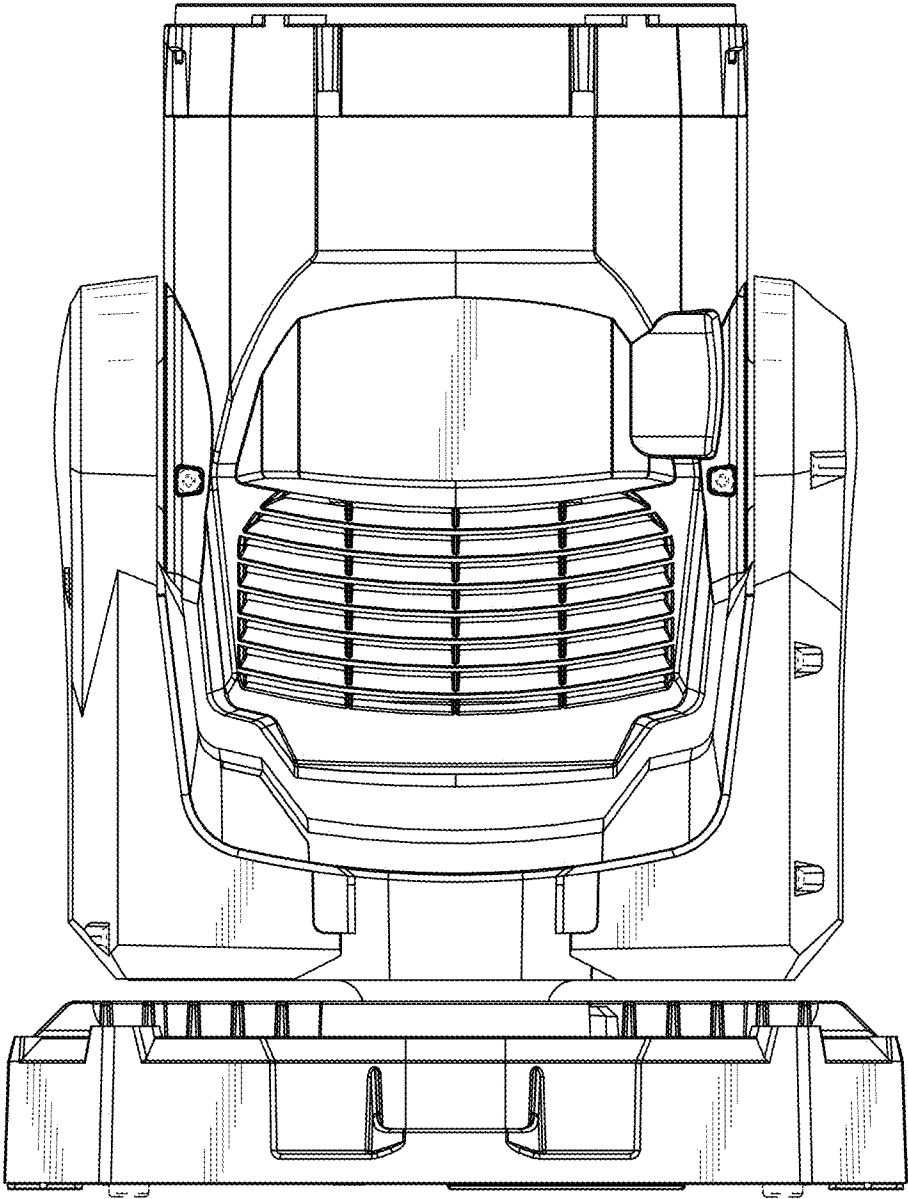


FIG. 2

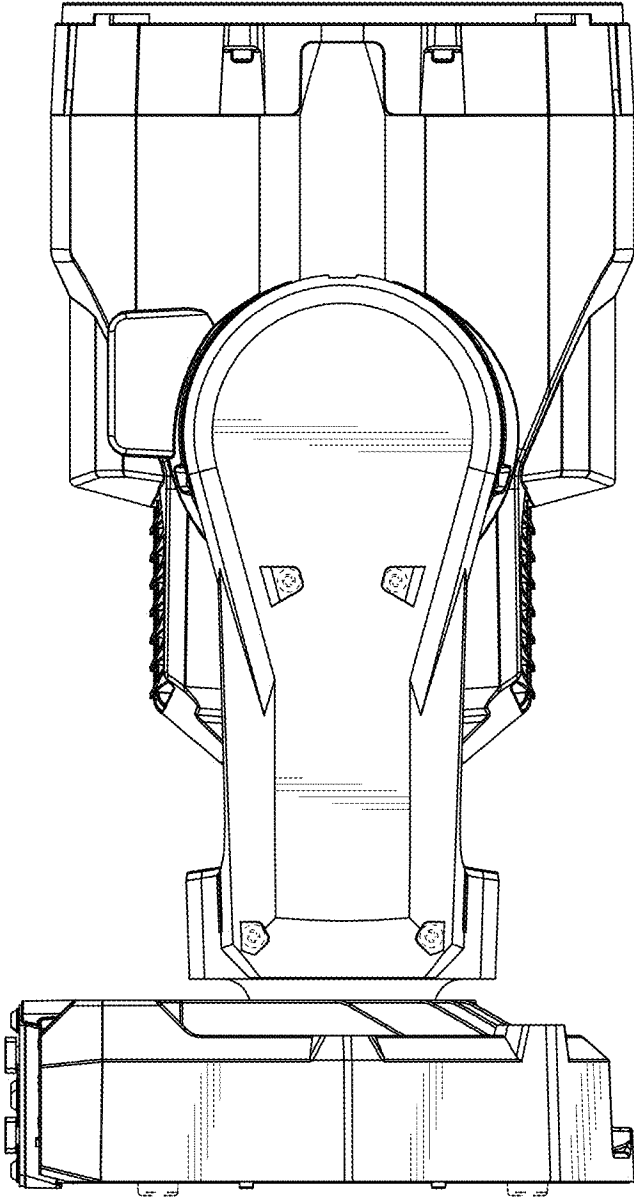


FIG. 3

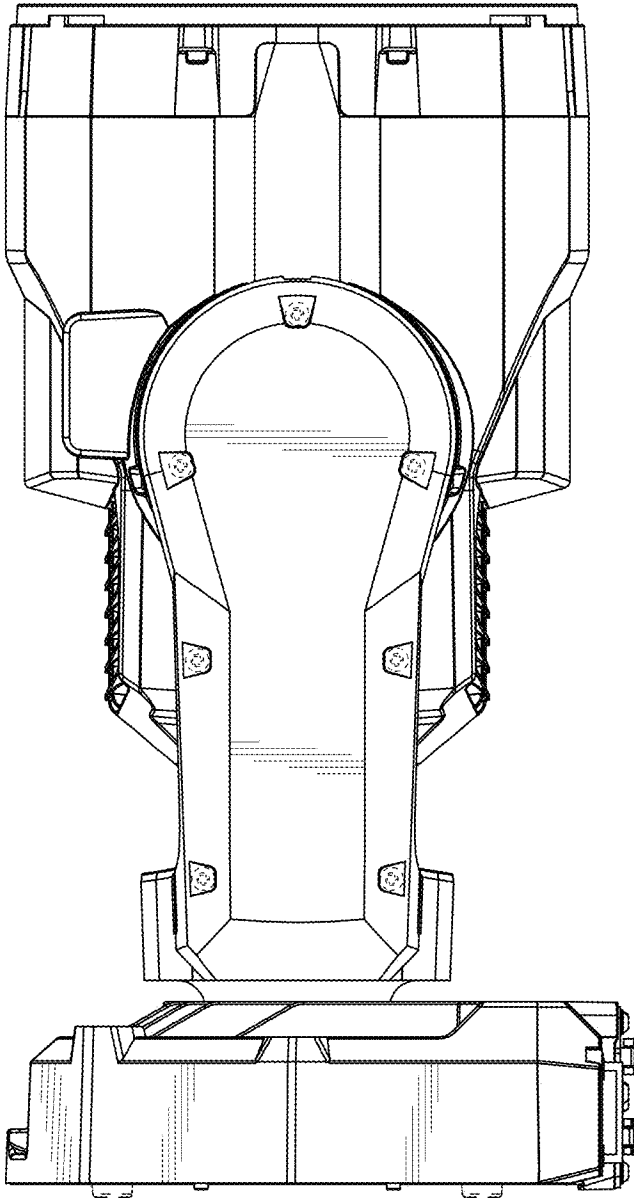


FIG. 4

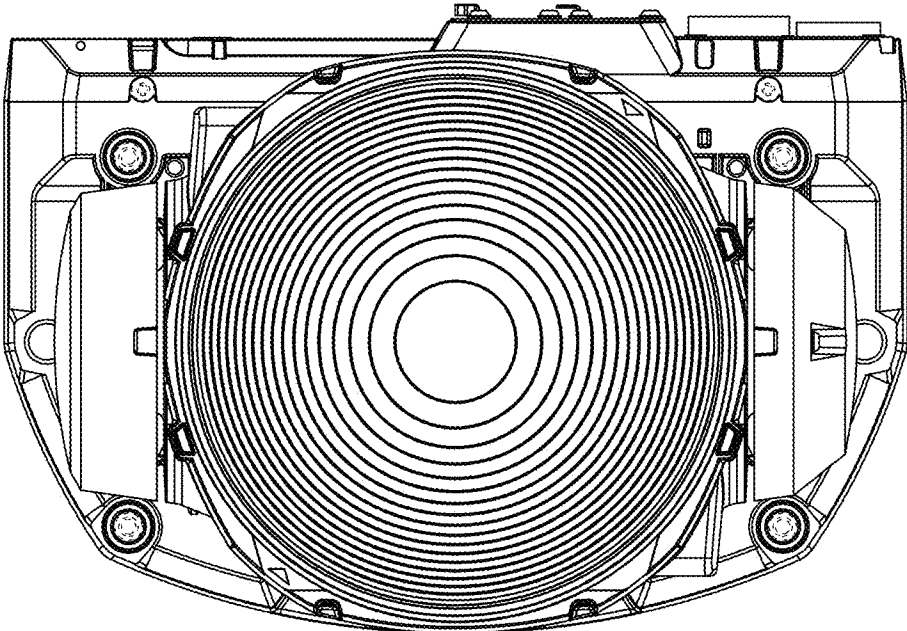


FIG. 5

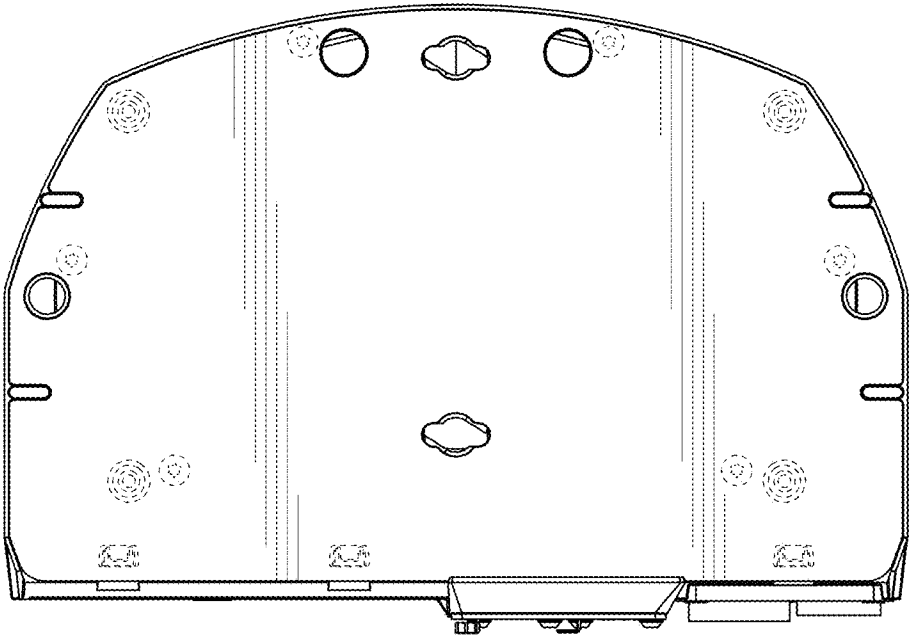


FIG. 6

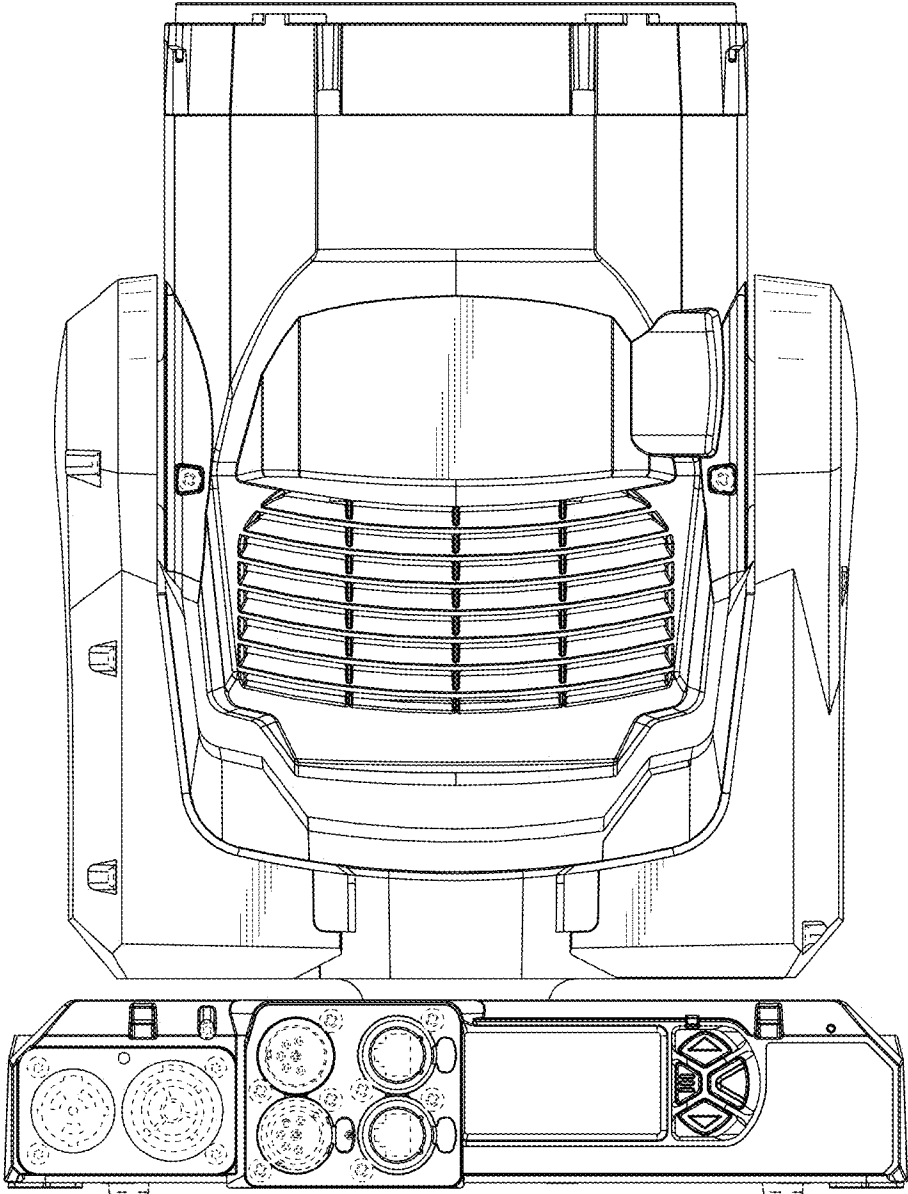


FIG. 7