



(12) **United States Design Patent**  
**Stephan et al.**

(10) **Patent No.:** **US D1,015,615 S**  
(45) **Date of Patent:** **\*\* Feb. 20, 2024**

(54) **LENS TUBE FOR A LIGHT FIXTURE**

(71) Applicant: **Electronic Theatre Controls, Inc.,**  
Middleton, WI (US)

(72) Inventors: **Joseph Stephan**, Middleton, WI (US);  
**Zack Zlevor**, Middleton, WI (US); **Jon Rasche**, Middleton, WI (US)

(73) Assignee: **Electronic Theatre Controls, Inc.,**  
Middleton, WI (US)

(\*\*) Term: **15 Years**

(21) Appl. No.: **29/728,054**

(22) Filed: **Mar. 16, 2020**

(51) **LOC (14) Cl.** ..... **26-05**

(52) **U.S. Cl.**  
USPC ..... **D26/74; D26/118**

(58) **Field of Classification Search**  
USPC ..... D26/24, 60, 72, 74, 113, 118, 138;  
D16/237, 242, 250  
CPC ..... G02B 7/00; G02B 7/003; G02B 7/006;  
G02B 7/022; F21W 2131/00; F21W  
2131/40; F21W 2131/105; F21W  
2131/406; F21W 2131/407  
See application file for complete search history.

(56) **References Cited**

**U.S. PATENT DOCUMENTS**

D397,490 S *	8/1998	Lecluze	.....	D26/118
D487,817 S *	3/2004	Benghozi	.....	D26/118
D551,797 S *	9/2007	Rashidi	.....	D26/118
D562,490 S *	2/2008	Rashidi	.....	D26/118
D575,891 S *	8/2008	Calleja	.....	D26/63
D608,491 S *	1/2010	Zaderej	.....	D26/118
D610,280 S *	2/2010	Hua	.....	D26/74
D610,289 S *	2/2010	Yoshinobu	.....	D26/74
D685,520 S *	7/2013	O'Driscoll	.....	D26/118

D698,069 S *	1/2014	Messisaen	.....	D26/74
D767,194 S *	9/2016	Lee	.....	D26/74
D777,968 S *	1/2017	Redfern	.....	D26/74
D785,227 S *	4/2017	Guzzini	.....	D26/74
D789,586 S *	6/2017	Guzzini	.....	D26/74
D831,873 S *	10/2018	Rybol	.....	D26/74
D838,892 S *	1/2019	Redfern	.....	D26/74
D854,217 S *	7/2019	Coirier	.....	D26/74
D854,726 S *	7/2019	Goetz-Schaefer	.....	D26/74
D956,341 S *	6/2022	Möller	.....	D26/118
D971,480 S *	11/2022	Sheng	.....	D26/74
D979,826 S *	2/2023	Fryzek	.....	D26/118
D991,528 S *	7/2023	Okagaki	.....	D26/74
D992,793 S *	7/2023	Moorthy	.....	D26/74
2019/0234569 A1 *	8/2019	Zhan	.....	F21V 23/008
2020/0049936 A1 *	2/2020	Wei	.....	G02B 7/006
2021/0263257 A1 *	8/2021	Chang	.....	G02B 7/003

\* cited by examiner

*Primary Examiner* — Clint A Samuel

(74) *Attorney, Agent, or Firm* — Michael Best & Friedrich LLP

(57) **CLAIM**

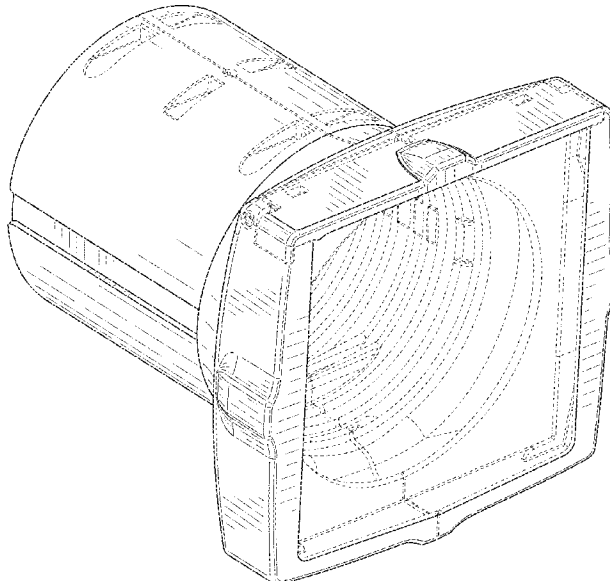
We claim the ornamental design for a lens tube for a light fixture, as shown and described.

**DESCRIPTION**

FIG. 1 is a front perspective view of a lens tube for a light fixture embodying the present invention.  
FIG. 2 is a front view of the design shown in FIG. 1.  
FIG. 3 is a rear view of the design shown in FIG. 1.  
FIG. 4 is a right side view of the design shown in FIG. 1.  
FIG. 5 is a left side view of the design shown in FIG. 1.  
FIG. 6 is a top view of the design shown in FIG. 1.  
FIG. 7 is a bottom view of the design shown in FIG. 1; and, FIG. 8 is a rear perspective view of the design shown in FIG. 1.

The portions of the light fixture shown in broken lines form no part of the claimed design.

**1 Claim, 8 Drawing Sheets**



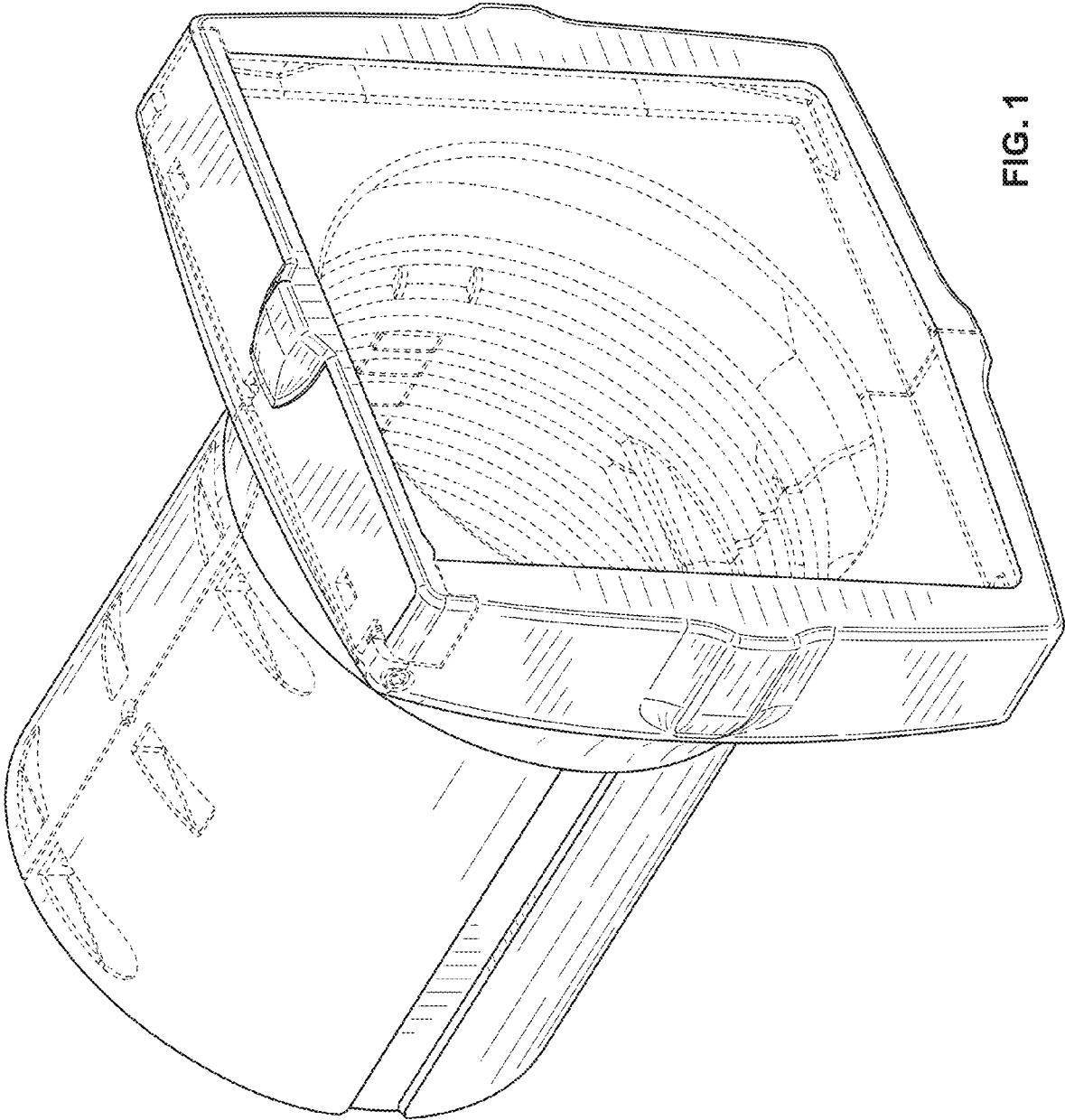


FIG. 1

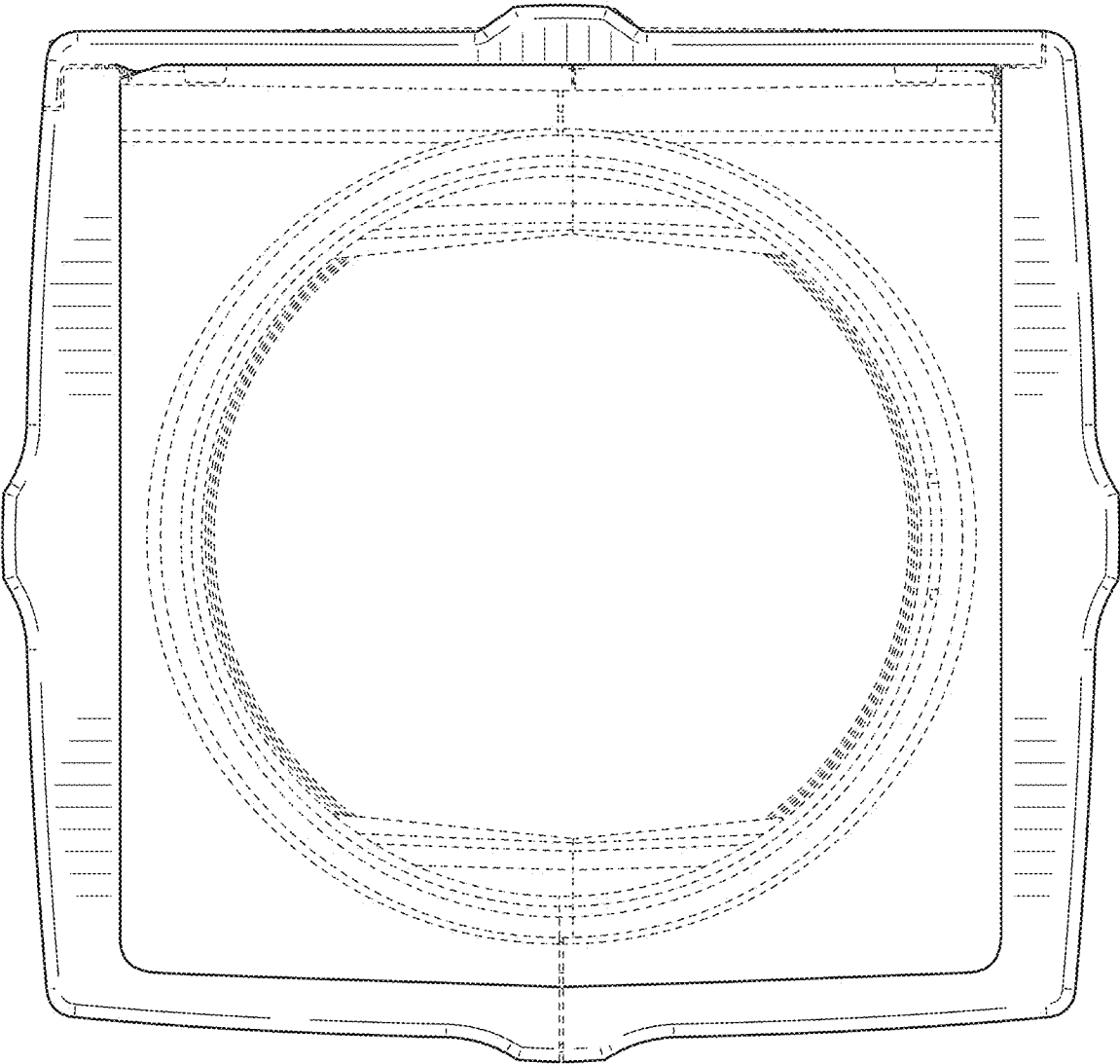


FIG. 2

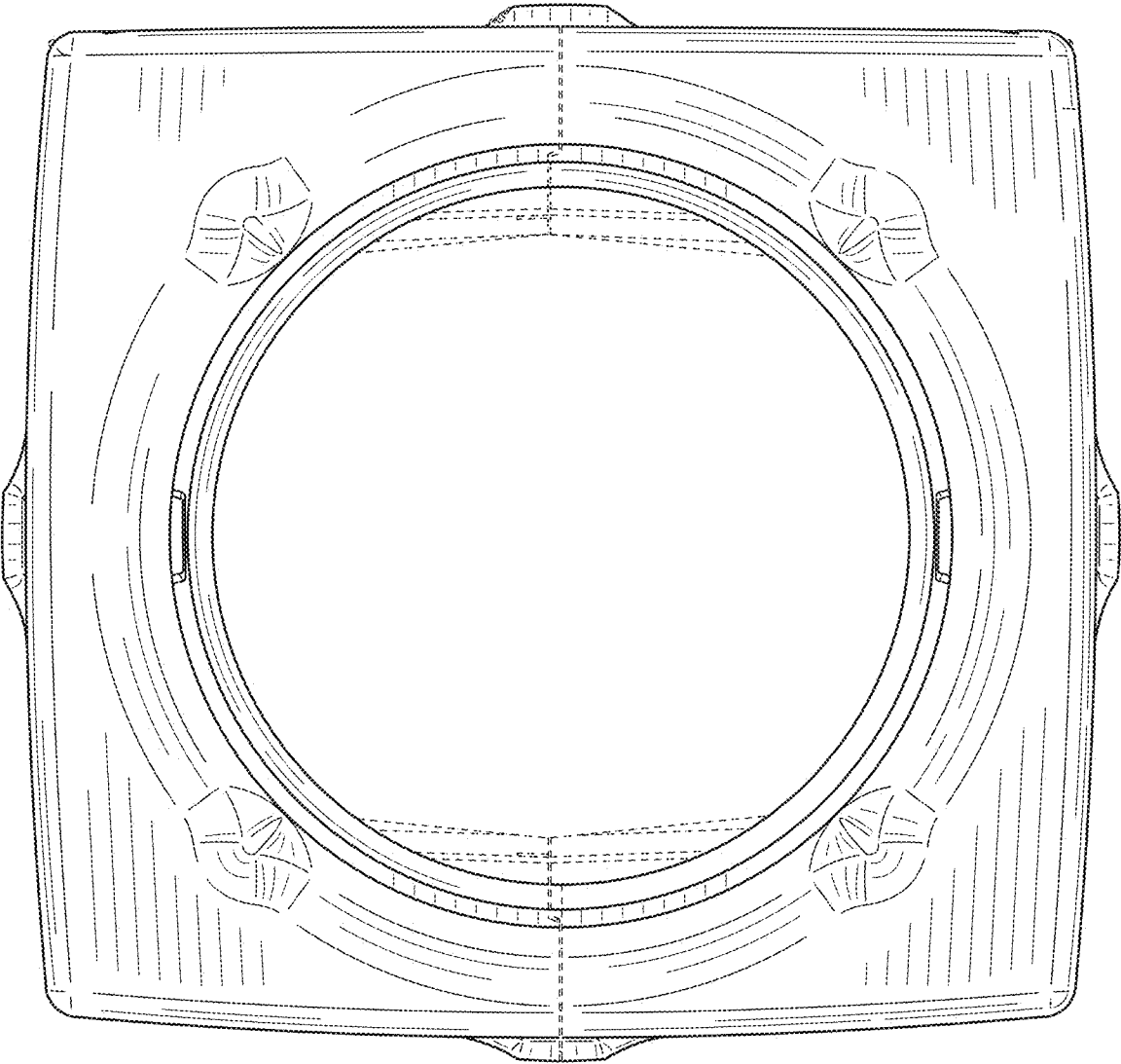


FIG. 3

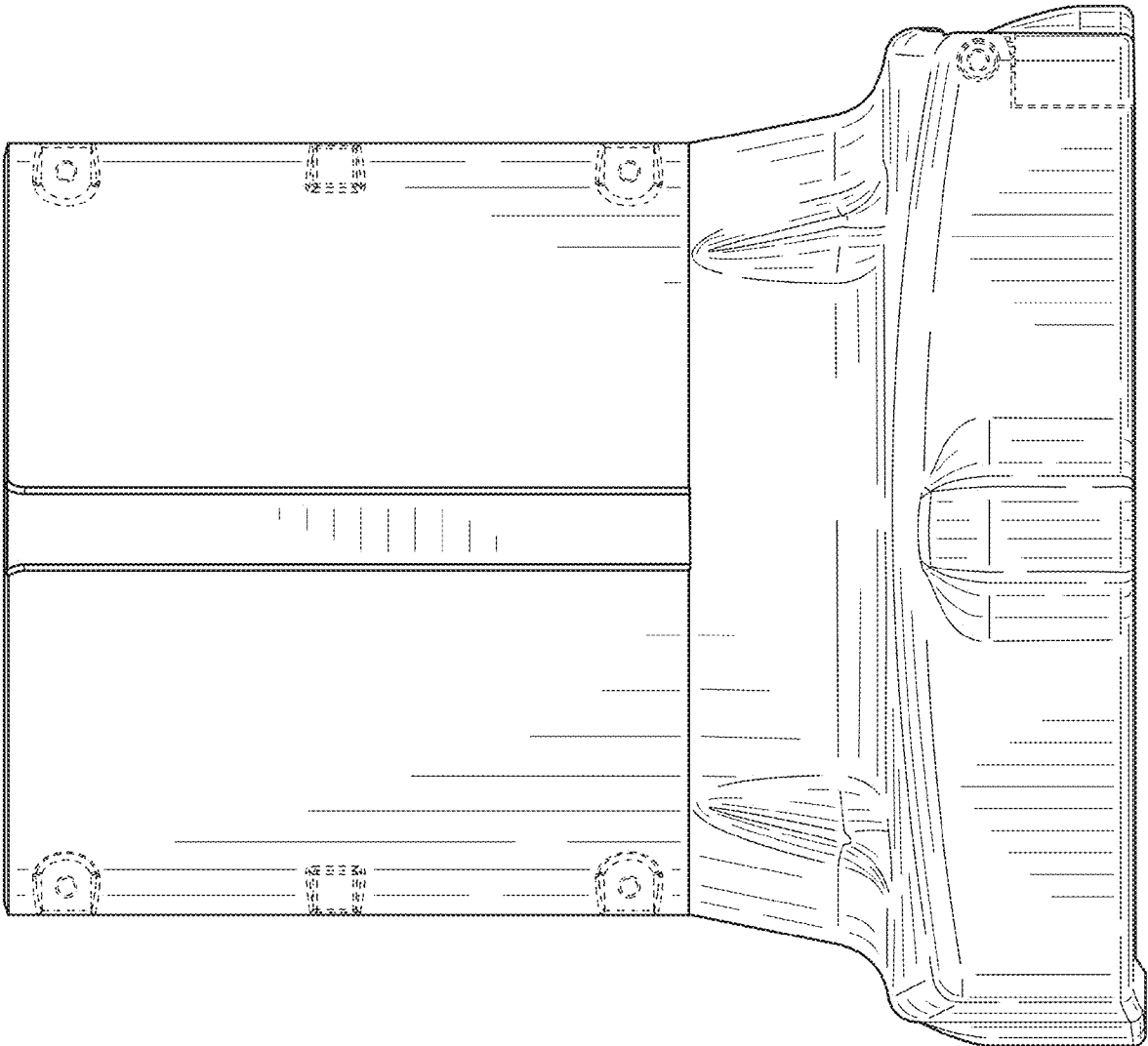


FIG. 4

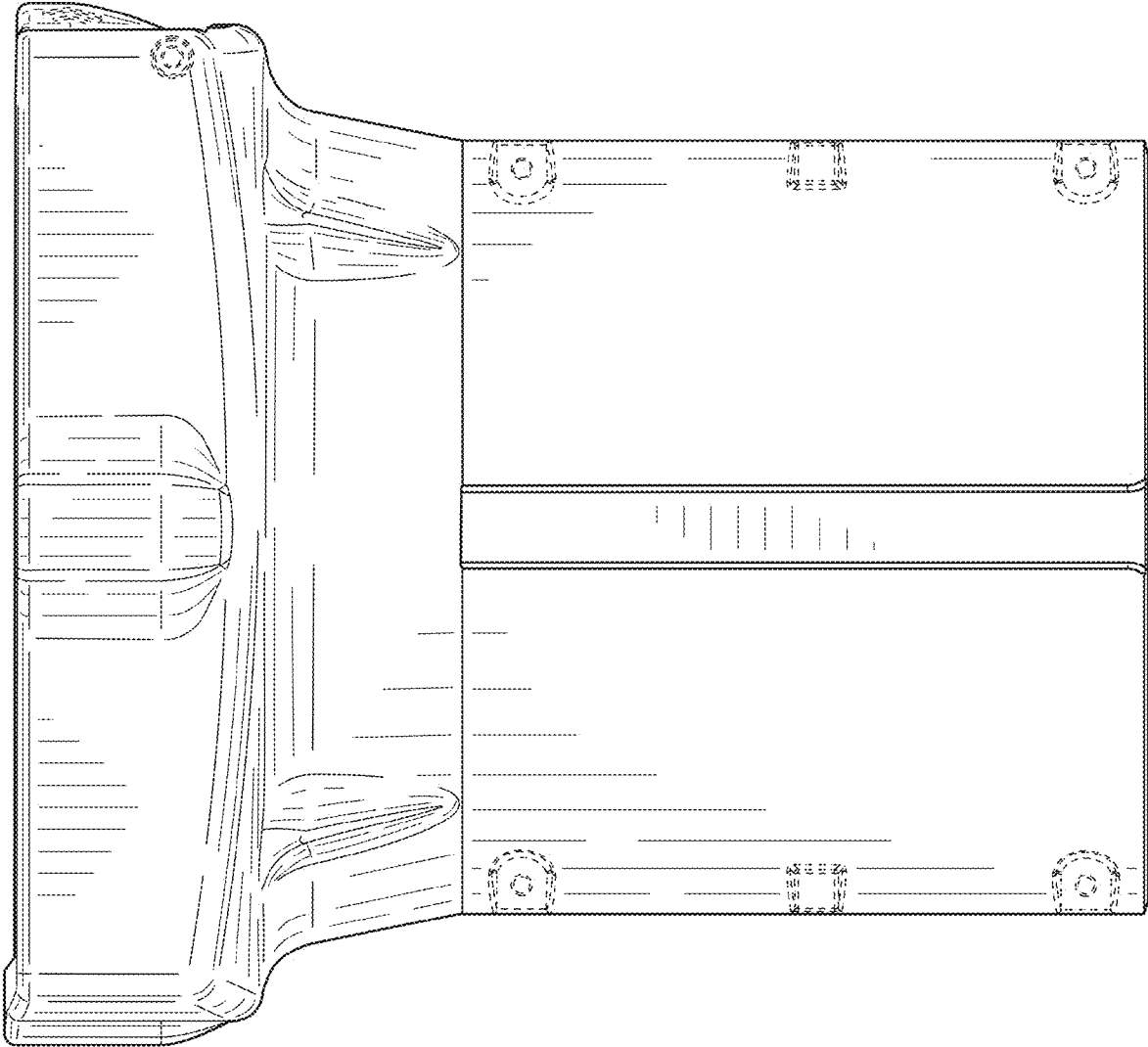


FIG. 5

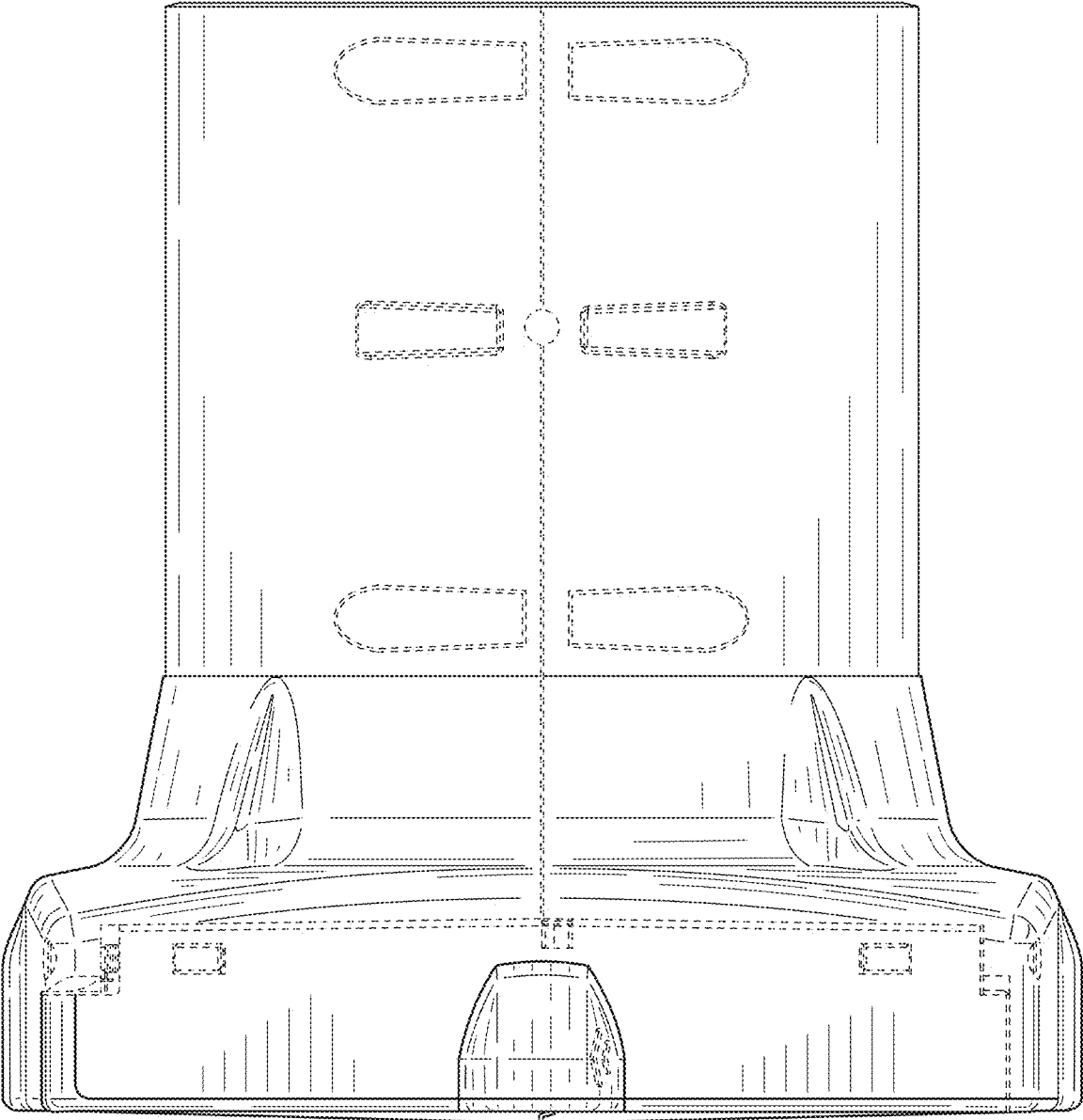


FIG. 6

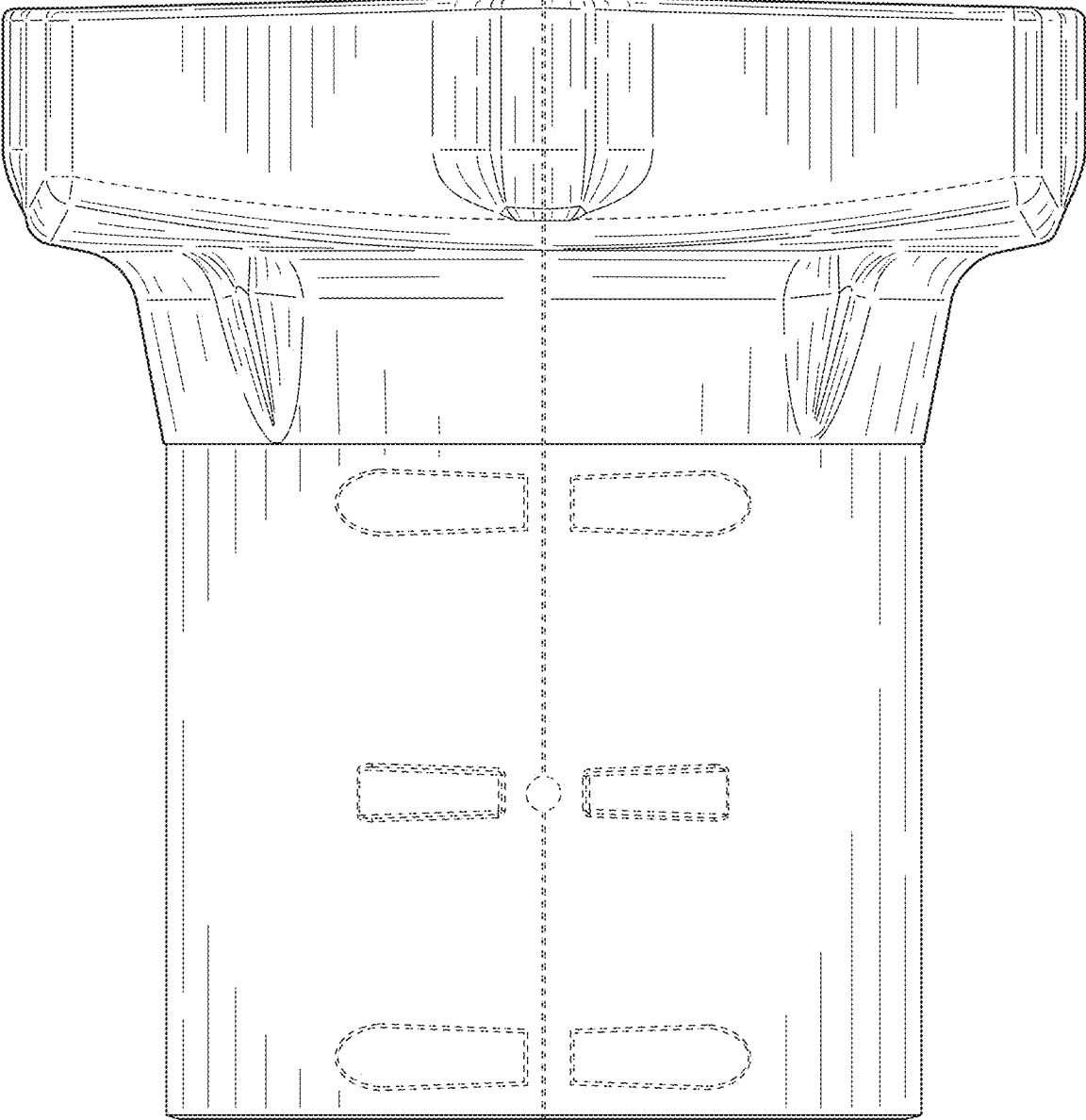


FIG. 7



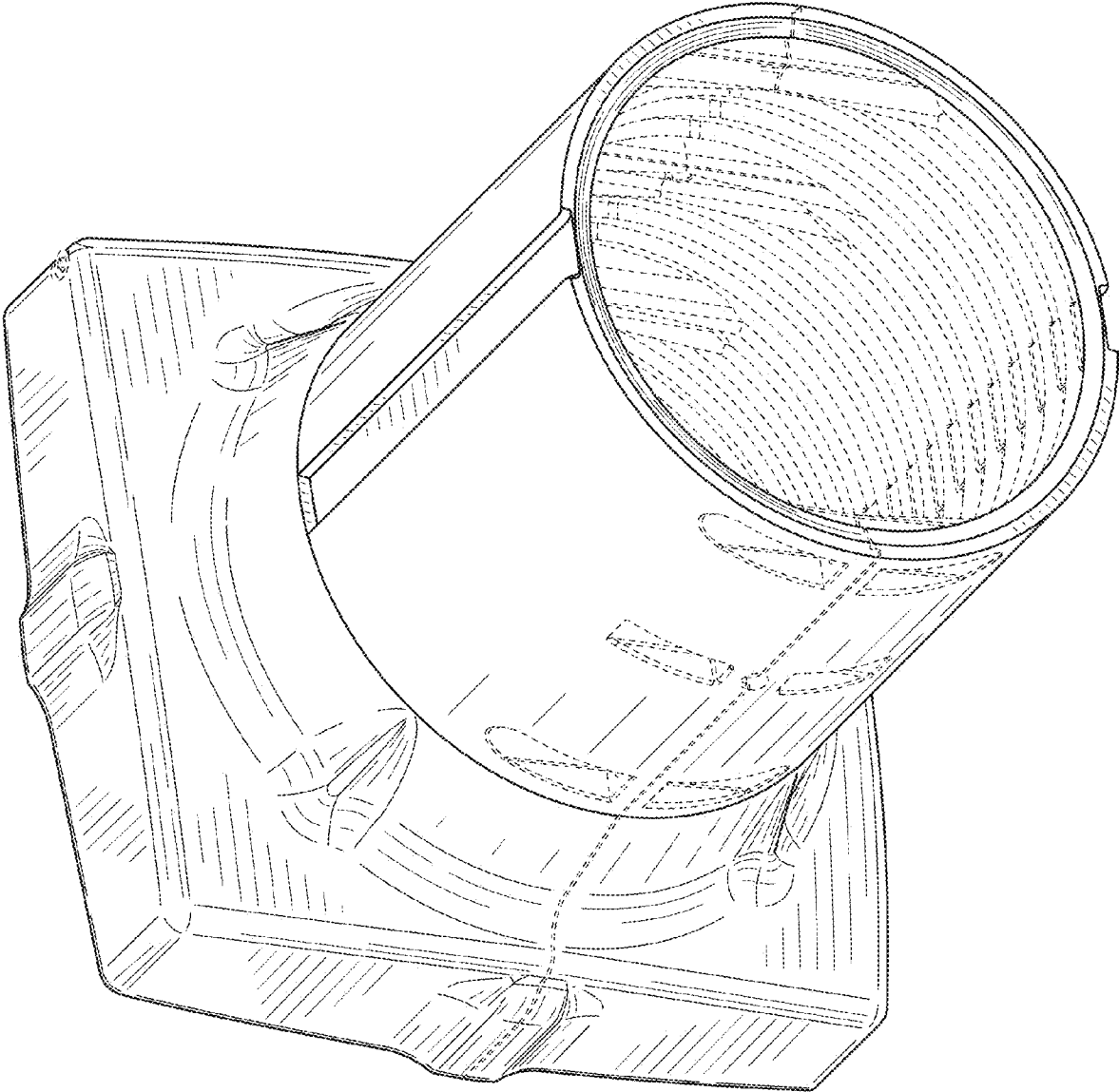


FIG. 8