



US009024464B2

(12) **United States Patent  
Campbell**

(10) **Patent No.: US 9,024,464 B2**  
(45) **Date of Patent: \*May 5, 2015**

(54) **POWERLINE COMMUNICATION CONTROL OF LIGHT EMITTING DIODE (LED) LIGHTING FIXTURES**

(71) Applicant: **Lumenpulse Lighting, Inc.**, Montreal (CA)

(72) Inventor: **Gregory Campbell**, Walpole, MA (US)

(73) Assignee: **Lumenpulse Lighting Inc.**, Montreal (CA)

(\* ) Notice: Subject to any disclaimer, the term of this patent is extended or adjusted under 35 U.S.C. 154(b) by 0 days.  
  
This patent is subject to a terminal disclaimer.

(21) Appl. No.: **14/292,083**

(22) Filed: **May 30, 2014**

(65) **Prior Publication Data**  
US 2014/0346970 A1 Nov. 27, 2014

**Related U.S. Application Data**

(63) Continuation of application No. 13/781,003, filed on Feb. 28, 2013, now Pat. No. 8,759,999, which is a continuation of application No. 13/336,299, filed on Dec. 23, 2011, now Pat. No. 8,410,630, which is a continuation-in-part of application No. PCT/US2011/044159, filed on Jul. 15, 2011.

(60) Provisional application No. 61/365,026, filed on Jul. 16, 2010.

(51) **Int. Cl.**  
**H05B 37/02** (2006.01)  
**H05B 33/08** (2006.01)  
**H04B 3/54** (2006.01)

(52) **U.S. Cl.**  
CPC ..... **H05B 37/0263** (2013.01); **H05B 33/0845** (2013.01); **H04B 3/54** (2013.01)

(58) **Field of Classification Search**  
CPC ..... H04B 3/54; H04B 3/542; H05B 37/0263; H05B 33/0833; H05B 33/0854  
USPC ..... 307/1-3; 340/538.11  
See application file for complete search history.

(56) **References Cited**

U.S. PATENT DOCUMENTS

4,815,106 A	3/1989	Propp et al.
4,889,999 A	12/1989	Rowen
5,260,974 A	11/1993	Johnson et al.

(Continued)

FOREIGN PATENT DOCUMENTS

AU	20090200556	9/2009
GB	2335334	9/1999

(Continued)

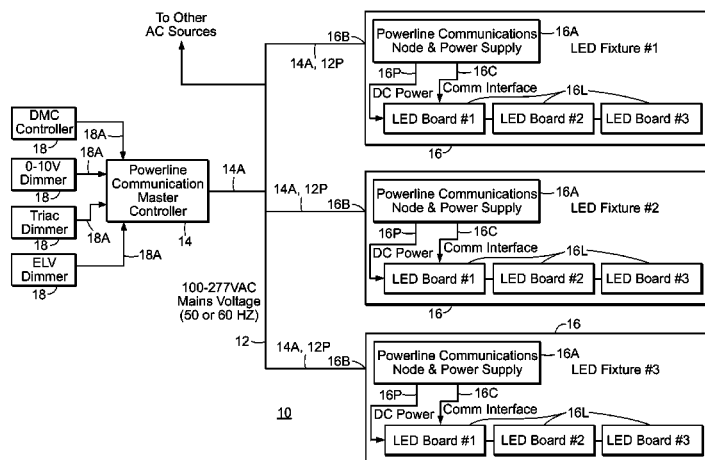
Primary Examiner — Fritz M Fleming

(74) *Attorney, Agent, or Firm* — Burns & Levinson, LLP; Joseph M. Maraia

(57) **ABSTRACT**

A powerline communication control system for controlling a lighting unit, such as an LED lighting unit, including a master controller for receiving lighting unit control inputs from a lighting controller and generating corresponding lighting unit command outputs in a lighting system command format and transmission mode and superimposing the lighting unit command outputs onto the power distribution system and at least one lighting slave unit for receiving the lighting command signal, separating the lighting command signal from the power signal and for providing lighting unit control commands to the at least one lighting unit to control illumination thereof.

**6 Claims, 6 Drawing Sheets**



(56)

References Cited

U.S. PATENT DOCUMENTS

5,455,490	A	10/1995	Callahan et al.	
5,668,446	A	9/1997	Baker	
5,828,293	A	10/1998	Rickard	
6,664,745	B2	12/2003	Belliveau	
6,867,558	B2	3/2005	Gaus, Jr. et al.	
7,230,522	B2	6/2007	Stevens	
7,307,542	B1	12/2007	Chandler et al.	
7,456,588	B2	11/2008	Alexandrov	
7,816,803	B1*	10/2010	Notohamiprodjo et al.	307/3
7,865,252	B2	1/2011	Clayton	
8,410,630	B2*	4/2013	Campbell	307/1
8,508,147	B2*	8/2013	Shen	315/287
8,759,999	B2*	6/2014	Campbell	307/1
8,768,493	B2*	7/2014	Souvay et al.	700/83
2002/0065583	A1	5/2002	Okada et al.	
2002/0163316	A1	11/2002	Lys et al.	
2003/0146715	A1	8/2003	Suomi	
2004/0225811	A1	11/2004	Fosler	
2005/0225976	A1	10/2005	Zampini et al.	
2006/0170376	A1	8/2006	Piepgras et al.	
2006/0274540	A1	12/2006	Klaver et al.	
2007/0057641	A1	3/2007	Russell et al.	
2007/0233323	A1	10/2007	Wiemeyer et al.	
2007/0247089	A1	10/2007	Summerland	
2008/0150450	A1	6/2008	Starr et al.	

2008/0157939	A1	7/2008	Sutardja	
2008/0224636	A1	9/2008	Melanson	
2008/0297065	A1	12/2008	Mubasiat et al.	
2009/0171510	A1	7/2009	Hu	
2009/0184662	A1	7/2009	Given et al.	
2010/0090607	A1	4/2010	Vos	
2010/0102747	A1	4/2010	Ilyes et al.	
2010/0141169	A1	6/2010	Summerland et al.	
2010/0176733	A1	7/2010	King	
2011/0032085	A1	2/2011	Maros et al.	
2011/0043124	A1	2/2011	Johnston et al.	
2011/0050113	A1	3/2011	VanDoorme et al.	
2011/0050132	A1	3/2011	Hooijer et al.	
2011/0121754	A1	5/2011	Shteynberg et al.	
2011/0140611	A1	6/2011	Elek et al.	
2011/0187275	A1	8/2011	Giltaca et al.	
2011/0204820	A1	8/2011	Tikkanen et al.	
2011/0276193	A1	11/2011	Bowman et al.	
2012/0133298	A1	5/2012	Campbell	

FOREIGN PATENT DOCUMENTS

JP	2009054987	3/2009
WO	2009013656	1/2009
WO	2009133489	11/2009
WO	2011121011	10/2011
WO	2012009622	1/2012

\* cited by examiner

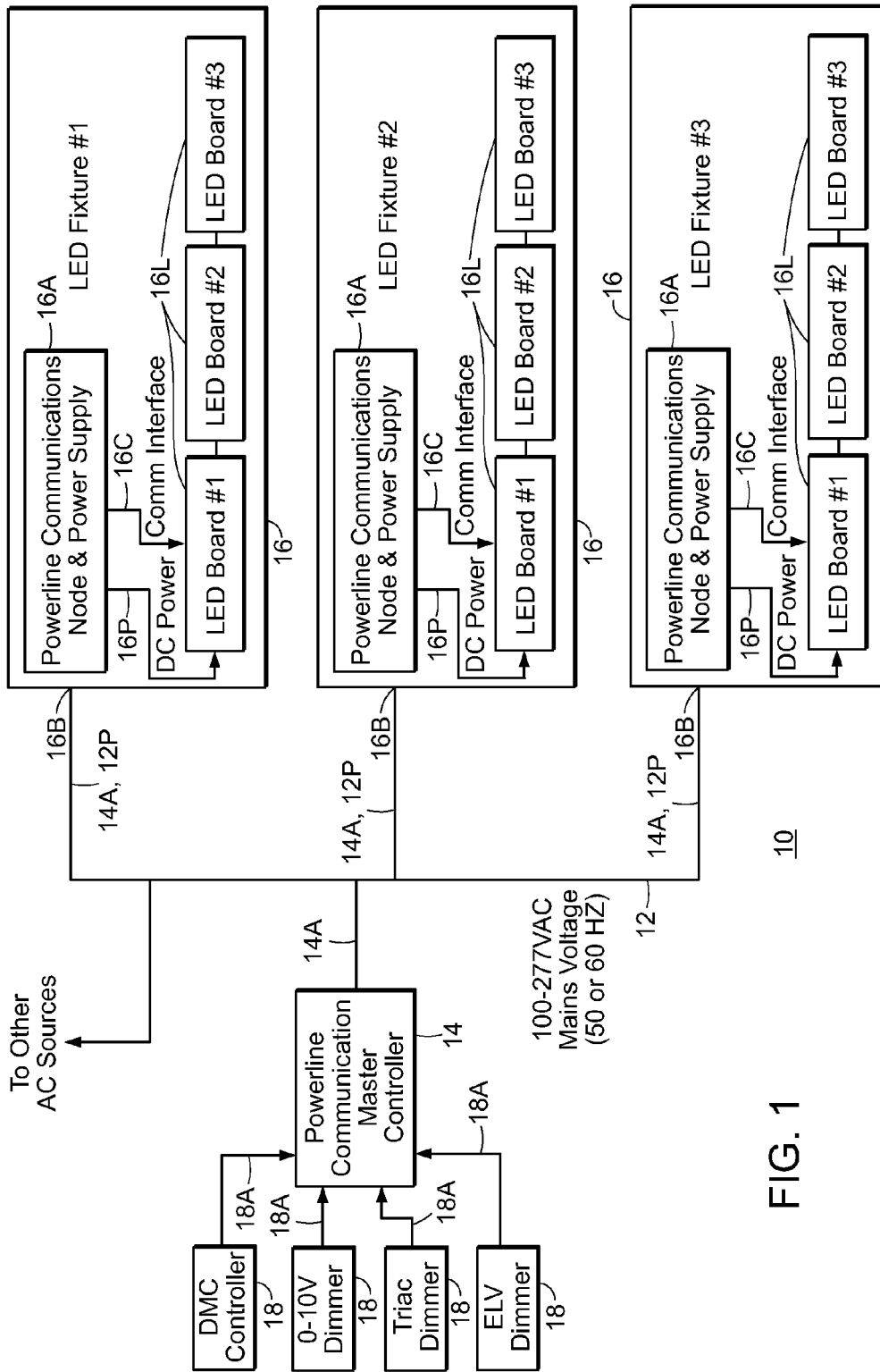


FIG. 1

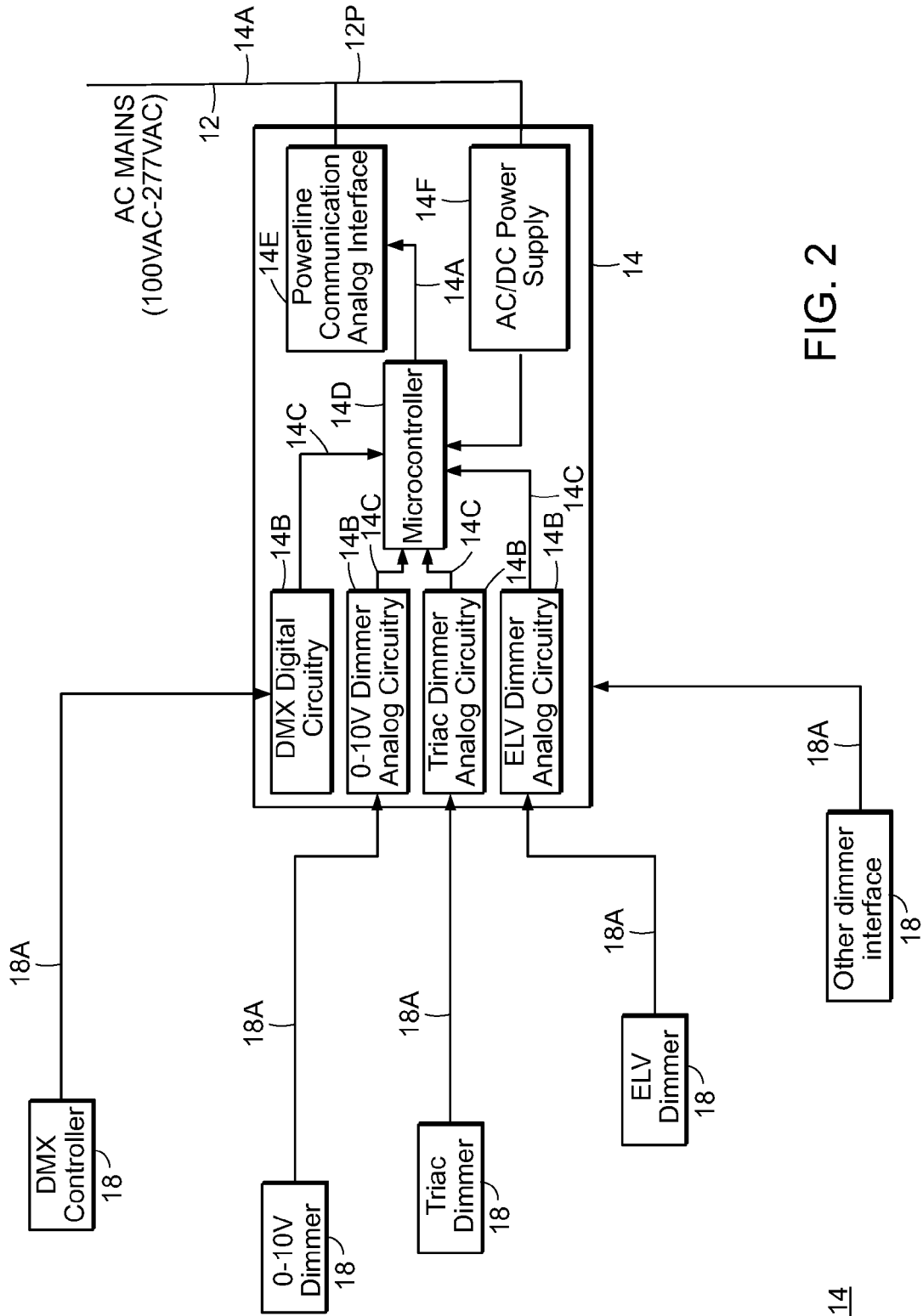


FIG. 2

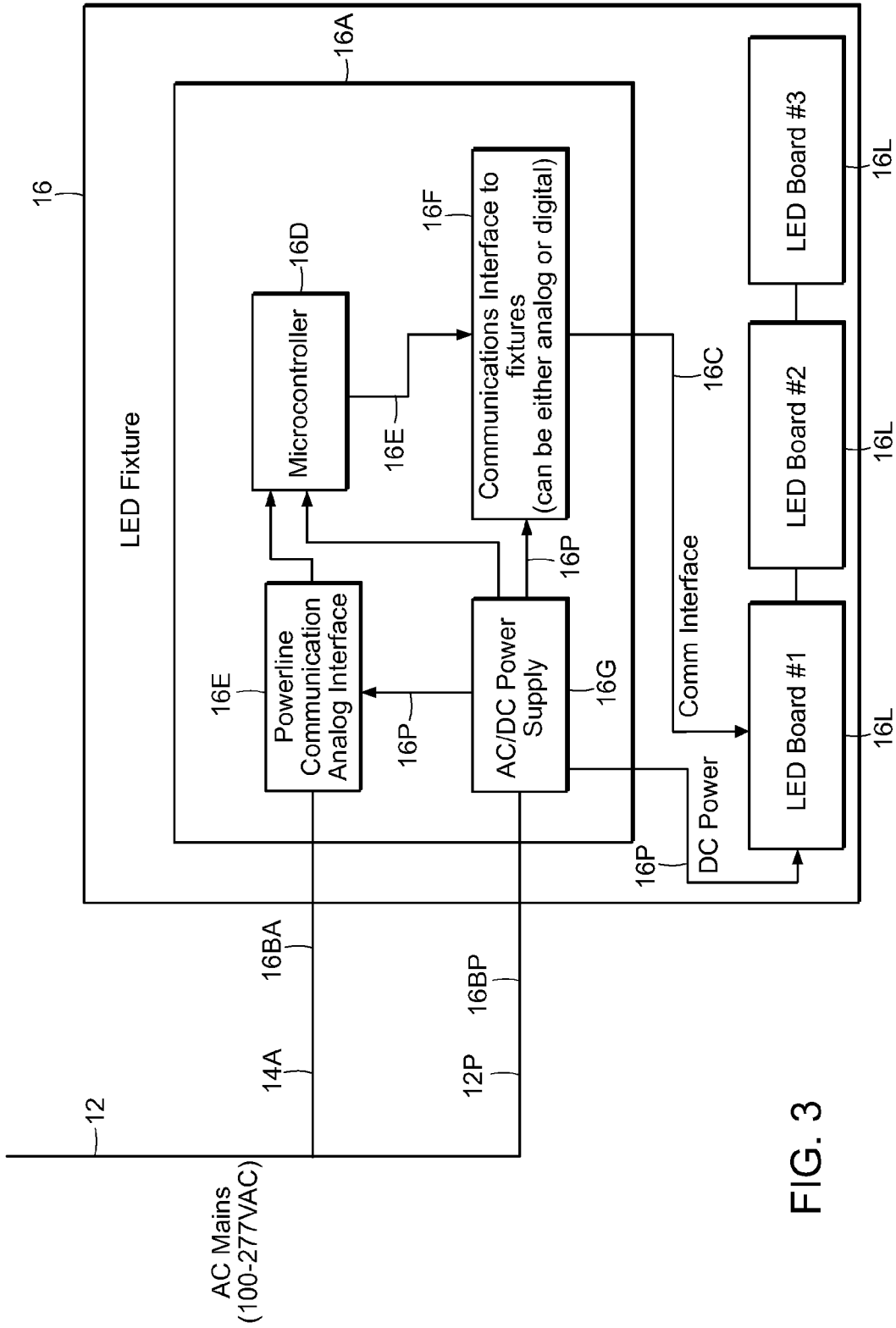


FIG. 3

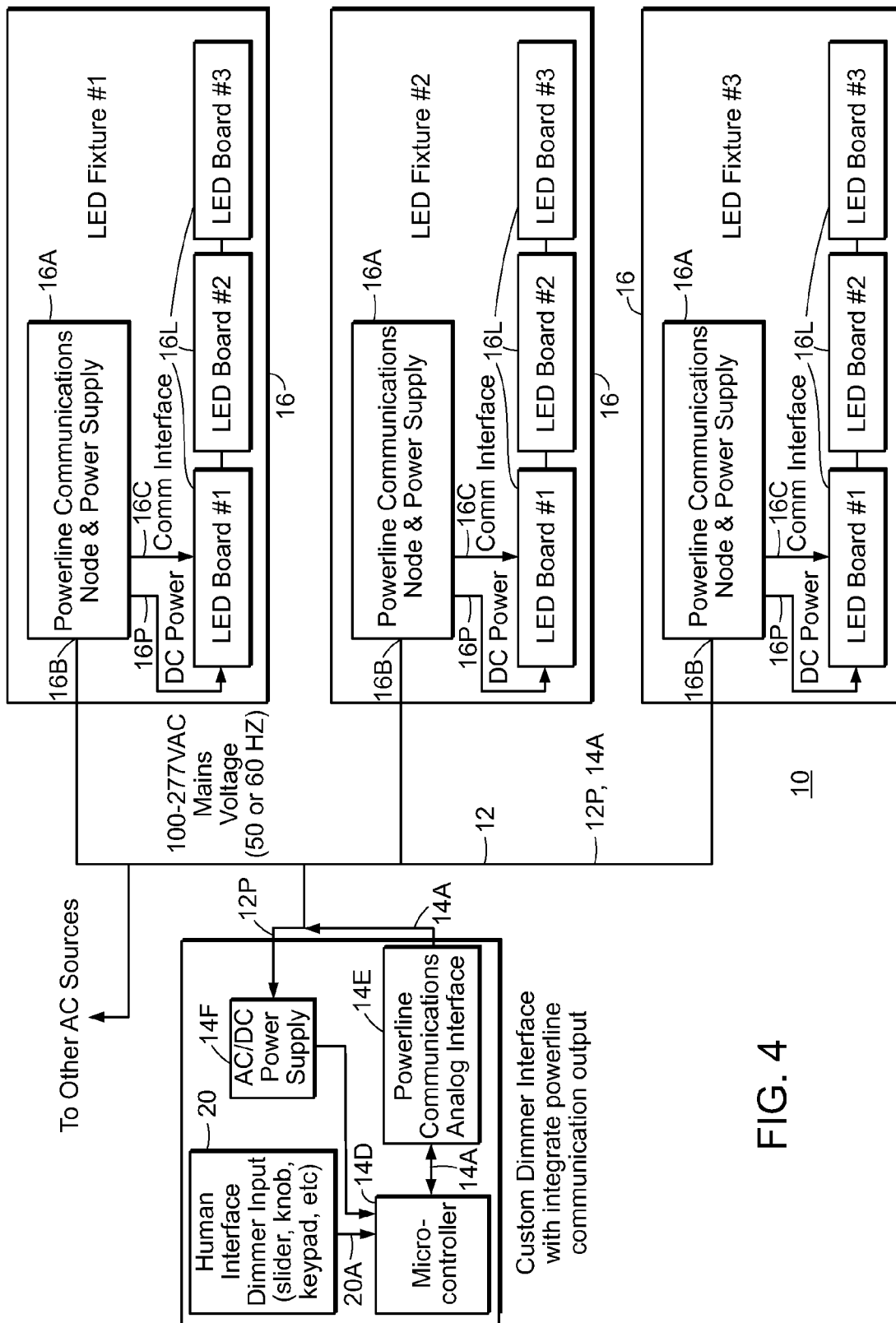


FIG. 4

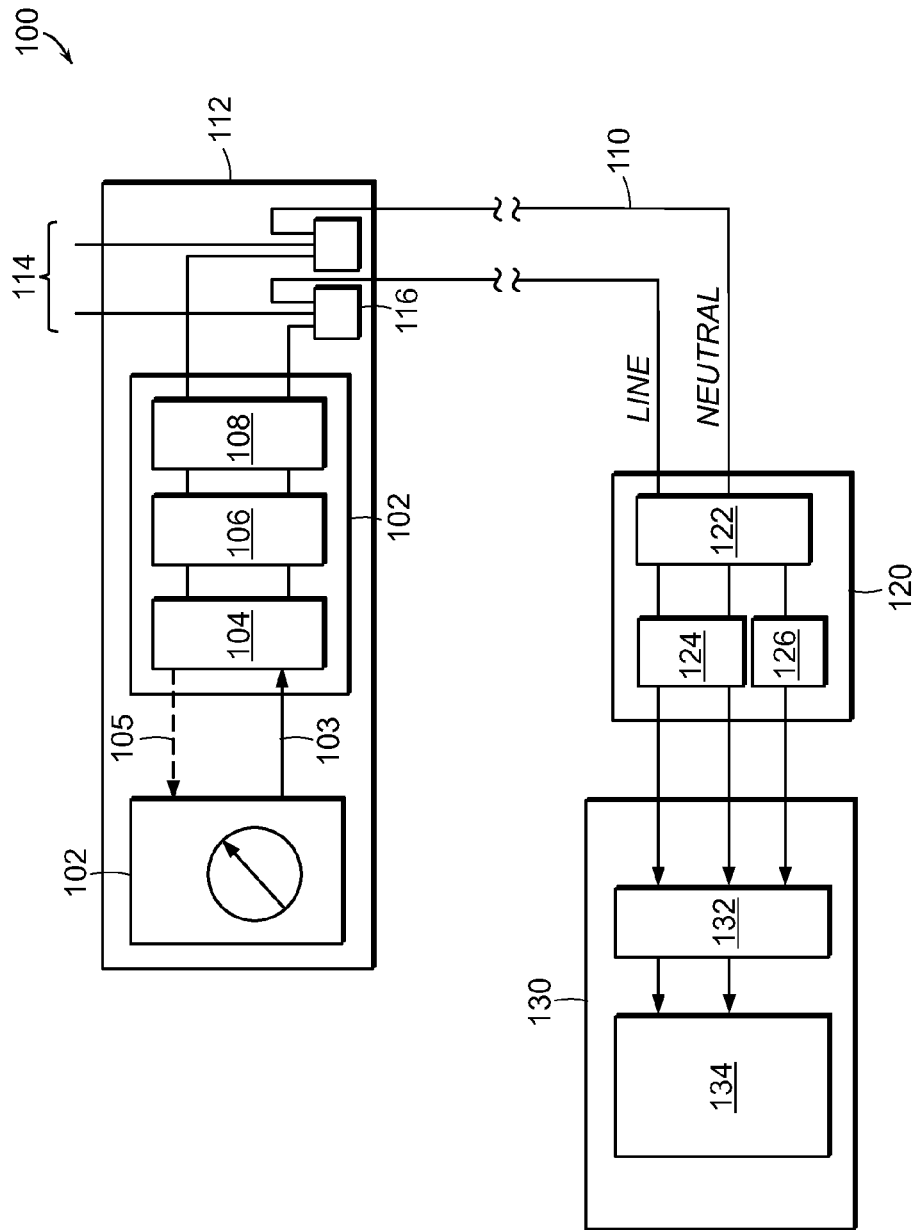


FIG. 5

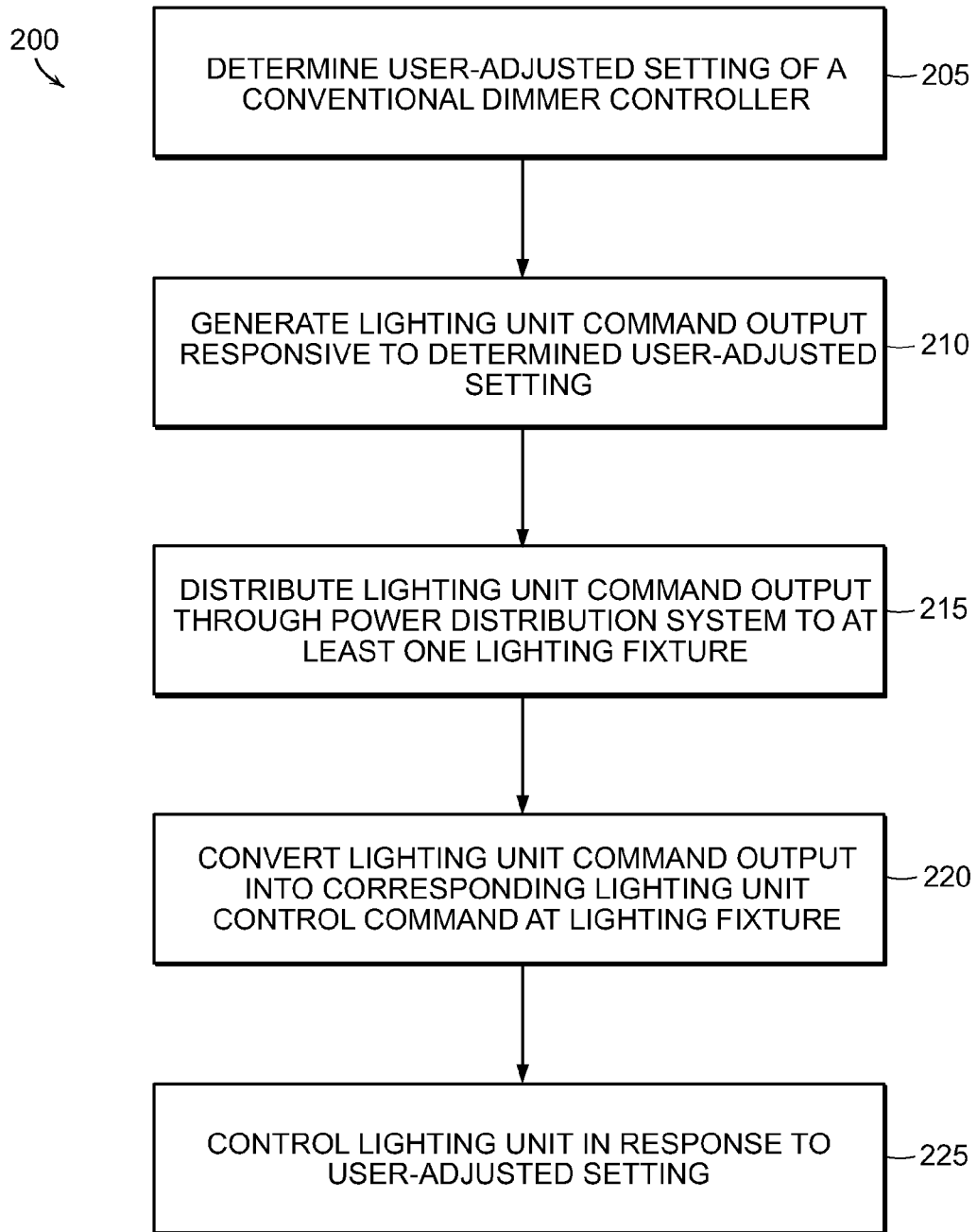


FIG. 6



**POWERLINE COMMUNICATION CONTROL  
OF LIGHT EMITTING DIODE (LED)  
LIGHTING FIXTURES**

RELATED APPLICATIONS

This application is a continuation of U.S. patent application Ser. No. 13/781,003, filed Feb. 28, 2013, which is a continuation of U.S. patent application Ser. No. 13/336,299, filed Dec. 23, 2011, now U.S. Pat. No. 8,410,630, which is a continuation-in-part of International Application No. PCT/US 11/44159, which designated the United States, and was filed on Jul. 15, 2011, which claims priority to U.S. Provisional Patent Application No. 61/365,026, filed on Jul. 16, 2010. The entire teachings of the above applications are incorporated herein by reference.

FIELD OF THE INVENTION

The present invention is related to the powerline communication control of electrical devices and, in particular, to the powerline communication control of lighting fixtures.

BACKGROUND

Powerline communication systems, often called powerline carrier communication system, are method for enabling systems to carry data on a conductor that is also used for electric power transmission, such as a conventional 117 volt AC line, a 230 volt AC line (such as used in Europe), a 100 volt AC line (such as used in Japan), a 277 volt AC line (such as used in certain commercial applications in the United States) or a 347 volt AC line (such as used in certain commercial applications in the Canada). There are many different ways to communicate on a powerline, but ultimately all communication is done by impressing a modulated carrier signal onto the system power conductors together with the 117 volt AC power signal and separating the power signal and the communications signals at a receiving point. While powerline communication applications are commonly seen in the utility meter reading and home automation markets, for example, for a number of reasons they are essentially nonexistent in architectural solid state lighting systems.

Among the problems that are hindering the adoption of solid state lighting systems, that is, light emitting diode (LED) lighting systems, and especially white light lighting systems, is the question of control of the light level output of LED lighting systems, that is, dimming control, which is much more complex than in the case of conventional lighting systems because of the greater electrical complexity of the LED lighting fixtures. For example, two of the common industry standard methods for dimming control of lighting systems are 0-10V dimmers and the Digital Array Lighting Interface (DALI), both of which provide digital control of the power output of lighting systems. Both of these methods are effective, but require the provision of control wiring separate from the conventional AC power lines. The addition of 0-10V dimmers or DALI to a lighting installation thus generally requires the retrofitting of any proposed installation site with the necessary control wiring, which typically requires ripping out existing wiring and the addition of new control wiring. The addition of convention dimming controls, such as 0-10V dimmers or DALI to a lighting installation thereby often imposes significant additional costs as well as additional time to accomplish the installation of the control wiring and controls.

There are existing dimming technologies used for traditional lighting sources which do not require extra communication wires. While there are many, two of the most popular are TRIAC (triode for alternating current) dimmer and Electronic Low Voltage (ELV) dimming. Both "phase chop" the AC signal, making less AC power available for the traditional light sources, hence causing the traditional light sources to provide less light output. These dimming technologies have been adapted to solid state lighting fixtures, however, since they are analog in nature, they are not an ideal solution due to the strictly digital nature of LEDs. There are two distinct disadvantages to incorporating TRIAC or ELV on the LED fixture. For example, there is an added cost associated with adding analog circuitry in order to transmit TRIAC or ELV dimming signals over a power line and to convert the analog signals to digital signals suitable for controlling LED fixtures. In addition, the addition of such specific purpose circuitry commits the LED fixture manufacturer to one technology, thus limiting the ability of the manufacturer to adapt to other dimming technologies that may be required in different applications and installations.

The present invention provides a solution to the above noted as well as other related problems associated with the prior art.

SUMMARY

The present invention is directed to a powerline communication control system for controlling a light emitting diode (LED) lighting unit comprised of one or more white or red, green and blue LEDs, or combinations thereof, and the associated circuitry for controlling the light outputs of the LEDs of the fixture.

A powerline communication control unit of the present invention includes a master controller that includes a lighting control command processor for receiving a lighting unit control input from a lighting controller and generating corresponding lighting unit command outputs in a lighting system command format and a power distribution system interface connected to a power distribution system for superimposing the lighting unit command outputs onto the power distribution system and a power signal present thereon as a lighting command signal according to a lighting unit command transmission mode.

The system further includes at least one lighting slave unit including at least one LED lighting unit, a command receiving interface connected from the power distribution system for receiving the lighting command signal, separating the lighting command signal from the power signal and generating corresponding slave control commands, a slave control processor for converting the received slave control commands into lighting unit control commands, and a lighting unit interface for providing the lighting unit control commands to the at least one lighting unit to control the at least one lighting unit.

In one embodiment of the present invention, each master controller includes: for each lighting controller, a corresponding lighting control conversion circuit for converting control inputs from a corresponding lighting controller into corresponding command inputs to the microprocessor.

In another embodiment of the present invention, a master controller includes: a lighting controller and a lighting control conversion circuit for converting control inputs from the lighting controller into the command inputs to the microprocessor.

In one aspect, at least one embodiment described herein provides a powerline communication control system for con-

3

trolling a lighting fixture includes a master controller and at least one lighting fixture controller. The master controller includes a configurable interface, a lighting control processor and a power distribution system interface. The configurable interface is suitable for interconnecting to at least one of several different conventional dimmer controllers and the lighting control processor. The lighting control processor is adapted to generate a lighting unit command output in a lighting unit system command format in response to an indication of a user-adjusted setting of an interconnected one of the several different conventional dimmer controllers received from the configurable interface. The power distribution system interface is in communication with the lighting control processor and adapted for interconnection to a power distribution system. The power distribution system interface is adapted to superimpose the lighting unit system command output onto the power distribution system when connected thereto. The at least one lighting fixture controller includes a command receiving interface, a slave control processor and a lighting unit interface. The command receiving interface is adapted for interconnection to the power distribution system and for separating the lighting unit system command output from the power distribution system when connected thereto. The slave control processor is in communication with the command receiving interface and adapted to convert the received lighting unit system command output into a corresponding lighting unit control command. The lighting unit interface is configured for providing the lighting unit control command to at least one lighting unit. The lighting unit interface is configured to control the at least one lighting unit in response to the user-adjusted setting of the interconnected one of the conventional dimmers.

In another aspect, at least one embodiment described herein provides a master controller for powerline communication including a configurable interface suitable for interconnecting to one of several different conventional dimmer controllers. The master controller includes a lighting control processor and a power distribution system interface. The lighting control processor is in communication with the configurable interface and adapted to generate a lighting unit command output in a lighting unit system command format in response to an indication of a user-adjusted setting of an interconnected one of the several different conventional dimmer controllers received from the configurable interface. The power distribution system interface is in communication with the lighting control processor and adapted for interconnection to a power distribution system. The power distribution system interface is adapted to superimpose the lighting unit system command output onto the power distribution system when connected thereto.

In yet another aspect, at least one embodiment described herein provides a process for controlling a lighting fixture, including determining a user-adjusted setting of one of a plurality of different conventional dimmer controllers. The process also includes generating a lighting unit command output in a lighting unit system command format in response to the determined user-adjusted setting of the conventional dimmer controllers. The lighting unit command output is distributed through a power distribution system to at least one lighting fixture. The lighting unit command output is converted at the at least one lighting fixture into a corresponding lighting unit control command. At least one lighting unit is controlled in response to the user-adjusted setting of the interconnected one of the conventional dimmers.

#### BRIEF DESCRIPTION OF THE DRAWINGS

The invention will now be described, by way of example, with reference to the accompanying drawings in which:

4

FIG. 1 is a functional block diagram of an embodiment of a powerline communication control system for LED lighting fixtures;

FIG. 2 is a functional block diagram of an embodiment of a master controller of a powerline communication control system for LED lighting fixtures;

FIG. 3 is a functional block diagram of an embodiment of a slave LED lighting fixture unit of a powerline communication control system for LED lighting fixtures;

FIG. 4 is a functional block diagram of an alternative embodiment of a powerline communication control system for LED lighting fixtures;

FIG. 5 is a functional block diagram of another embodiment of a powerline communication control system for controlling lighting fixtures; and

FIG. 6 is a flow diagram of an embodiment of a process for controlling lighting fixtures.

#### DETAILED DESCRIPTION

Referring to FIG. 1, a block diagram of a powerline communication control system 10 for LED lighting fixtures is shown therein. As illustrated, a powerline communication control system 10 of the present invention includes a conventional power distribution system 12, such as a 117 volt AC network, at least one master controller 14 and one or more LED fixture slave units 16 (three of which are diagrammatically shown in FIG. 1 but it is to be appreciated that the amount of the slave units 16 can vary depending upon the particular application). The control output 14A, from each master controller 14, is connected via the power distribution system 12, so as supply a separate control input to at least one, and more preferably a plurality, of the slave unit 16

Referring first to an exemplary master controller 14 is coupled to one or more conventional dimmer controllers 18 (four of which are diagrammatically shown in FIG. 1 but it is to be appreciated that the amount of the dimmer controllers 18 can vary depending upon the particular application). Each master controller 14 receives one or more dimmer control inputs 18A from one or more of the conventional dimmer controllers 18. It is to be appreciated that the dimmer controller 18 may include, for example, a Digital Multiplex (DMX) controller(s), a 0-10V Dimmer(s), a TRIAC dimmer(s) or an Electronic Low Voltage (ELV) Dimmer(s) and the dimmer control inputs 18A are conventional, standard output control signals of the corresponding types of dimmer controllers 18. More generally, any conventional electrical controller can be accommodated by providing a suitable interface for obtaining a controller setting. Other controllers include current loop controllers as commonly used in the industrial process control of instruments. One such class of controllers is known as 4-20 mA controllers.

The master controller 14, upon receipt of the dimmer control inputs 18A, first converts the conventional, standard control input or inputs 18A from the one or more master controllers 18 into corresponding powerline control signals 14A. Next, the master controller 14 imposes the powerline control signals 14A onto the wiring of the power distribution system 12, together with the conventional power signal 12P present on power distribution system 12, and also transmits the powerline control signals 14A through the power distribution system 12 to each one of the slave units 16. In a presently preferred embodiment of the present invention, the powerline control signals 14A may be, for example, in the form of a frequency shift keyed signal (FSK), a differential frequency signal (DFSK) or a differential phase shift keyed signal (DPSK). The command code format of the powerline control

5

signals 14A may, for example, be that of a commercially available controller format or a version thereof modified for the specific needs of a powerline communication control system 10 or may be designed specific for the powerline communication control system 10.

According to the present invention, the powerline control signal 14A may be in the form of broadcast commands to all of the slave units 16 connected with the power distribution system 12, so that all slave units 16 are controlled concurrently and in parallel with one another. Alternately, the powerline control signals 14A may be specifically addressed to an individual slave unit 16, or to groups of the slave units 16, thereby allowing individualized control of one or more of the slave units 16 of the powerline communication control system 10.

Next referring to an exemplary slave unit 16, as illustrated in FIG. 1, the slave unit 16 includes one or more LED lighting units 16L (only three of which are diagrammatically shown in FIG. 1 but it is to be appreciated that the amount of the LED lighting units 16L can vary depending upon the particular application) and a communication and power supply node 16A. As indicated, each communication and power supply node 16A has a power and control input 16BA, 16BP which is connected with the power distribution system 12 in order to receive both the powerline control signals 14A and the power signal 12P from the power distribution system 12. As indicated in FIG. 1, the communication and power supply node 16A, of each slave unit 16, initially separates the received powerline control signals 14A from the received power signal 12P, and then generates a DC power output 16P from the power signal 12P, and then supplies the generated DC power signal 16P to the lighting units 16L in order to power the lighting units 16L as controlled by the master controller 14. The communication and power supply node 16A, of each slave unit 16, also decodes the received powerline control signals 14A and, in turn, then generates corresponding lighting control commands 16C and subsequently supplies the control commands 16C to the lighting units 16L so as to control the operation of the lighting units 16L.

Referring next to FIGS. 2 and 3, more detailed block diagrams of both the master controller 14 and the slave unit 16, according to the present invention, are respectively shown therein. As illustrated in FIG. 2, each master controller 14 includes one or more dimmer control conversion circuits 14B for converting the control inputs 18A, from the corresponding dimmer controllers 18, into the corresponding dimmer command inputs 14C to a microprocessor 14D which, under control of at least one program(s) residing in a resident memory (not shown for purposes of clarity) to generate the corresponding powerline control signals 14A, which are then superimposed onto the wires of the power distribution system 12 and the power signal 12P present thereon by a powerline interface 14E for transmission of the slave units 16. As indicated, each master controller 14 will also include other necessary circuitry, such as a power supply 14F for receiving electrical power from the power distribution system 12.

Referring to FIG. 3, the power and control input 16B of each communication and power supply node 16A of each slave unit 16 includes a control input 16BA, connected to the power distribution system 12 and to the input of a communication interface 16B which receives the powerline control signals 14A and the power signal 12P from the power distribution system 12, separates the powerline control signals 14A from the power signal 12P, and provides corresponding control signals 14A to an input of a slave control microprocessor 160. The slave control microprocessor 160, operating under control of at least one program(s) residing in a memory (not

6

shown for purposes of clarity), in turn, decodes control signals 14A and generates corresponding slave control signals 16E, which are converted into corresponding analog or digital lighting control commands 16C, by a fixture interface 16F, and then communicated to each one of the lighting units 16L.

A power input 16BP is likewise connected to the power distribution system 12 to receive the power signal 12 with the superimposed powerline control signals 14A and is connected to the input of a power supply 16G which, in turn, generates DC power outputs 16P which are supplied to the circuits of the communication and power supply node 16A and eventually to the lighting units 16L of the slave unit 16.

Referring next to FIG. 4, a block diagram of an alternate embodiment of the powerline communication control system 10, according to the present invention, is shown therein. This embodiment, as illustrated in FIG. 4, is generally similar to the embodiments of a powerline communication control system 10 as illustrated in FIGS. 1, 2 and 3. However, according to this embodiment, the dimmer controllers 18 and the dimmer control inputs 18A are replaced with a human interface controller 20 for generating human interface control inputs 20A. It is to be appreciated that the control inputs 20A may be generated under the control of, for example, a knob, a slider, a keypad or some other conventional direct human input control device, thereby allowing direct human control of the slave units 16 without the associated intervention and cost of standardized, conventional dimmer controls 18.

FIG. 5 is a functional block diagram of another embodiment of a powerline communication control system 100 for controlling lighting fixtures. The system 100 includes a master controller, or adapter 102, configured to interpret a response or input 103 received from a conventional controller 102 (also referred to as a legacy controller). At least one advantage of having an adapter 102 is an ability to obtain and otherwise interpret inputs from any class of dimmer controllers, such as those described above. The adapter 102 includes a configurable interface 104 suitable for interconnecting to at least one of a variety of different conventional dimmer controllers. The adapter 102 also includes a lighting control processor 106 in communication with the configurable interface 104. The lighting control processor 106 is adapted to generate a lighting unit command output in a lighting unit system command format in response to an input received from the conventional controller 102. In particular, for user-adjustable controllers, such an input received from the controller 102 provides an indication of a user-adjusted setting of the controller 102.

In at least some embodiments, the adapter 102 also includes a power distribution system interface 108. The power distribution system interface 108 is in communication with the lighting control processor 106 and adapted for interconnection to a power distribution system 110. The power distribution system interface 108 is adapted to superimpose the lighting unit system command output of the lighting control processor 106, onto the power distribution system 110, to all for dissemination of the lighting unit system command to one or more electrical units to be controlled.

In at least some embodiments, the adapter 102 can be accommodated within a housing 112, such as an electrical housing or box 112 adapted to accommodate a typical single or multi-gang electrical switch. Accordingly, in at least some embodiments, such an adapter 102 can be installed together with a conventional controller 102, within a common multi-gang standard electrical box 112. The box 112 can be fed by an AC power feed or circuit 114, which can be split within the box 112 (e.g., using wire connectors 116) to power the adapter 102 and to a second set of electrical conductors 110

providing AC facility power to the adjustable power to one or more controlled electrical devices. The power distribution system interface **108** can be configured to convey an indication of the control setting to the one or more controlled electrical devices (e.g., lighting unit(s)) by any suitable powerline communications (PLC) protocol, such as those described herein and their equivalents.

In some embodiments, the configurable interface **104** reads an output of the conventional controller **102**. Alternatively or in addition, the configurable interface **104** provides a stimulus **105** (shown in phantom) that produces a response **103** of the conventional controller **102**, suitable for determining a user-adjusted setting of the controller **102**.

In some embodiments, the configurable interface **104** includes the one or more dimmer control conversion circuits **14B** (FIG. 2). In such embodiments, the lighting control processor **106** (e.g., the microprocessor **14D** of FIG. 2) is configured to monitor inputs from each of the one or more dimmer control conversion circuits **14B**. Thus, each conversion circuit **14B** can be in independently in communication with the microprocessor **14D** through a respective interface. The microprocessor **14D** can routinely monitor each of the respective inputs, for example according to a schedule, to detect changes. Upon detecting a change, the microprocessor **14D** can be configured to take a suitable action, such as generating the corresponding powerline control signals **14A**.

In at least some embodiments, the powerline communication control system **100** also includes at least one device controller **120**. In the example embodiment, the controller can be referred to as a powerline communication node and power supply **102**. The device controller **120** includes a power distribution system interface **108** adapted for interconnection to the power distribution system **110**. The device controller **120**, also referred to as a command receiving interface, is further adapted to separate the lighting unit system command output from the power distribution system **110** when connected thereto. For example, the device controller **120** includes a powerline communication modem **122** receiving AC power including any superimposed lighting unit system command outputs. The powerline communication modem **122** is adapted to separate the received power and command signals into a separate AC power signal and a separate lighting unit command signal.

For controlled devices that operate under electrical power that might differ from the distributed (e.g., AC) power, the device controller **120** includes one or more power conversion modules **124**. Such a power conversion module **124** can convert any suitable distributed power, such as AC or DC power, to any other suitable power, such as DC or AC power. Such power conversion modules **124** are commonly referred to as one or more of power supplies, power converters, and power inverters. In the illustrative example, the power supply **124** converts 110V AC to a DC power (e.g., 12 volts) suitable for controlling a solid state lighting unit **130**. It is understood that one or more such power conversion modules **124** can be included and any given power conversion module **124** can be configured to provide more than one output (e.g., +/-12V, 5V, 3.3V). Such power outputs can be used to power one or more of the device controller **120** and any device modules connected thereto.

In the illustrative example, the device controller **120** includes a slave control processor **126** in communication with the command receiving interface **122** and adapted to convert the received lighting unit system command output into a corresponding lighting unit control command. The lighting unit control command is forwarded to the solid state lighting unit **130**. In the illustrative embodiment, the solid state light-

ing unit **130** includes a lighting unit interface **132** adapted for interpreting the lighting unit control command and suitably driving the solid state lighting unit **130** in response to the user-adjusted setting of the interconnected one of the conventional dimmers **102**.

For example, the solid state lighting unit **130** includes one or more LED modules or circuit boards **134**. Each circuit board **134** can be populated with one or more lighting elements, or lamps, such as LEDs. One or more of the circuit board **134** and the individual LEDs, singly or in groups, can be independently addressable. For such embodiments, the lighting unit system command outputs can include messages having an address portion and a command portion. The slave control processor **126** interprets any received lighting unit system command output, for example, identifying an addressee as well as the command itself. The slave control processor **126** converts the received lighting unit system command output into a corresponding lighting unit control command. The command can include the address, which can be interpreted to one or more interconnected lighting units **130**. Alternatively or in addition, the slave control processor **126** can be preconfigured with the addresses of any interconnected lighting units **130**, selectively forwarding such messages to addressed lighting units **130**.

Continuing with the illustrative example, a lighting unit system command output includes an address of the lighting unit **130** and a command to set the lighting unit **130** at an illumination level corresponding to a user-adjusted setting of the controller **102**. The slave control processor **126** provides a suitable lighting unit control command instructing the lighting unit to illuminate at the user-desired setting. The lighting unit interface **132** receives the command and drives the LED board(s) **134** with a corresponding current to produce the user-desired illumination. The lighting unit **130** can remain at the desired setting until a subsequent command or instruction is received to change the illumination setting, in which instance, the lighting unit **130** will respond accordingly.

Although addresses are possible, it can also be possible to provide commands without an address or with a global address, in which instance all interconnected lighting units **130** respond to the instruction. It is also possible for more than one device controller **120** to independently control the same lighting unit **130**. For example, the device controller **120** can receive inputs from more than one power distribution circuit **110**, or a single power distribution circuit can be interconnected to more than one device controller **120**. For such configurations, the device controller **120** can simply monitor received commands without regard to their source. Thus, two separate controllers on a three-way controlled lighting unit **130** can independently control a setting of the lighting unit, for example, according to the last command received. In at least some embodiments, the device controller **120** is configured to send commands in response to a detected change in a user-adjusted setting of an interconnected controller **102**.

In some embodiments, the device controller **120** can be included within the lighting unit **130**. Alternatively or in addition, one or more of the power conversion module **124** and the slave control processor **126** can be included in the device controller **120**, as illustrated, in the lighting unit **130**, split between the device controller **120** and lighting unit **130**, or even as separate modules.

FIG. 6 is a flow diagram of an embodiment of a process **200** for controlling lighting fixtures. The process **200** includes determining a user-adjusted setting of a conventional dimmer controller at **205**. A lighting unit command output is generated at **210**, responsive to the determined user-adjusted setting. The lighting unit command output is distributed at **215**,

through power distribution system to at least one lighting fixture. The lighting unit command output is converted at 220, into corresponding lighting unit control command at lighting fixture. The lighting unit is controlled at 225, in response to user-adjusted setting.

While FIGS. 1 and 2 generally show use of a hard wire connection for coupling the standardized, conventional dimmer control 18 to the dimmer control conversion circuit 14B of the master controller 14 for supplying an input thereto, it is to be appreciated that such input signals can be supplied from the dimmer control 18 to the respective dimmer control conversion circuit 14B via either a conventional wireless connection or via a conventional Ethernet connection. As such arrangements are conventional and well known in the art, a further detailed description concerning the same is not provided.

It will be recognized with regard to the above descriptions of possible implementations of the powerline communication control system, according to the present invention that certain changes may be made in the above described improved powerline communication control system, without departing from the spirit and scope of the invention herein involved. For example, while a presently preferred embodiment of the invention is described and discussed in detail herein above, it must be recognized that different circumstances, other features or combinations of features described herein above may comprise a preferred embodiment other than the exemplary presently preferred embodiment described herein above. It is therefore intended that all of the subject matter of the above description or shown in the accompanying drawings shall be interpreted merely as examples illustrating the inventive concept herein and shall not be construed as limiting the invention.

What is claimed is:

1. A system for controlling a light emitting diode (LED) lighting unit via the LED lighting unit's power distribution system, the system comprising:

- a power distribution system for supplying operational power to the LED lighting unit;
- at least one conventional dimmer for supplying a user-adjusted setting to the LED lighting unit;
- at least one master controller coupled to the power distribution system and the at least one conventional dimmer, the master controller including:
  - a lighting control command processor configured to receive a lighting unit control input from the at least one conventional dimmer and configured to generate corresponding lighting unit command outputs in a lighting system command format in response to an indication of the user-adjusted setting of the conventional dimmer; and

- a power distribution system interface configured to superimpose the lighting unit command outputs onto the power distribution system and a power signal present thereon as a lighting command signal according to a lighting unit command transmission mode, and
  - at least one device controller coupled to the at least one master controller, each device controller including:
    - a command receiving interface configured to receive the lighting command signal, separate the lighting command signal from the power signal, and generate corresponding lighting control commands,
    - a lighting control processor configured to convert the received lighting control commands into lighting unit control commands; and
    - a lighting unit interface configured to provide the lighting unit control commands to the at least one lighting unit to control the at least one lighting unit in response to the user-adjusted setting of the conventional dimmer; and
  - at least one LED lighting unit coupled to the at least one device controller.
2. The system of claim 1, wherein each master controller further comprising:
- for each conventional dimmer, a corresponding lighting control conversion circuit for converting control inputs from a corresponding conventional dimmer into corresponding command inputs to the lighting command control processor.
3. The system of claim 1, wherein the master controller further comprising:
- a lighting controller, and
  - a lighting control conversion circuit for converting control inputs from the lighting controller into the command inputs to the lighting command control processor.
4. The system of claim 1, wherein the power distribution system is selected from the group consisting of an AC line; a 117 volt AC line; a 230 volt AC line; a 100 volt AC line; a 277 volt AC line; a 347 volt AC line; a DC line; a 380 volt DC line; a 48 volt DC line; a 24 volt DC line; a 12 volt DC line; and combinations thereof.
5. The system of claim 1, wherein a plurality of conventional dimmers are coupled to a respective master controller for supplying a respective conventional LED dimmer control input thereto.
6. The system of claim 5, wherein the at least one conventional dimmer is selected from the group consisting of: digital multiplex (DMX) dimmer controllers; 0-10 volt dimmer controllers; TRIAC dimmer controllers; electronic low voltage (ELV) dimmer controllers; and current loop controllers.

\* \* \* \* \*