



US008672092B2

(12) **United States Patent**  
**Black**

(10) **Patent No.:** **US 8,672,092 B2**  
(45) **Date of Patent:** **Mar. 18, 2014**

- (54) **WIRE ROPE TENSION GRID IMPROVEMENTS**
- (75) Inventor: **Mark T. Black**, Sanford, FL (US)
- (73) Assignee: **InterAmerica Stage, Inc.**, Sanford, FL (US)
- (\*) Notice: Subject to any disclaimer, the term of this patent is extended or adjusted under 35 U.S.C. 154(b) by 972 days.

4,433,700	A *	2/1984	Dohet	135/97
4,449,843	A *	5/1984	Wendel	403/173
4,492,364	A *	1/1985	Boyanton	256/47
4,981,225	A *	1/1991	Cole	211/183
5,165,207	A *	11/1992	Oehlke	52/81.3
5,203,428	A *	4/1993	Beeche	182/222
5,402,988	A *	4/1995	Eisele	256/24
5,543,196	A *	8/1996	Robinson et al.	428/99
5,573,125	A *	11/1996	Denny	211/183
5,649,690	A *	7/1997	Kilmer	256/35
5,711,400	A *	1/1998	Tan	182/119
5,787,955	A *	8/1998	Dargie	160/368.1
5,797,641	A *	8/1998	Lincoln	296/3
5,799,752	A *	9/1998	Perry	182/206

(21) Appl. No.: **11/704,087**

(Continued)

(22) Filed: **Feb. 8, 2007**

**FOREIGN PATENT DOCUMENTS**

(65) **Prior Publication Data**  
US 2008/0190044 A1 Aug. 14, 2008

EP	549359	A1 *	6/1993	E04G 1/06
WO	9501495	A1 *	1/1995	E06C 7/16

- (51) **Int. Cl.**  
**E04G 3/30** (2006.01)
- (52) **U.S. Cl.**  
USPC ..... **182/150**; 52/81.3
- (58) **Field of Classification Search**  
USPC ..... 182/150, 137, 138; 52/81.3  
See application file for complete search history.

**OTHER PUBLICATIONS**

Modern Language Association (MLA): "angle." Dictionary.com Unabridged. Random House, Inc. Aug. 21, 2013. <Dictionary.com http://dictionary.reference.com/browse/angle>.\*

*Primary Examiner* — Charles A Fox  
*Assistant Examiner* — Candace L Bradford  
(74) *Attorney, Agent, or Firm* — Michael L. Leetzow, P.A.

(56) **References Cited**

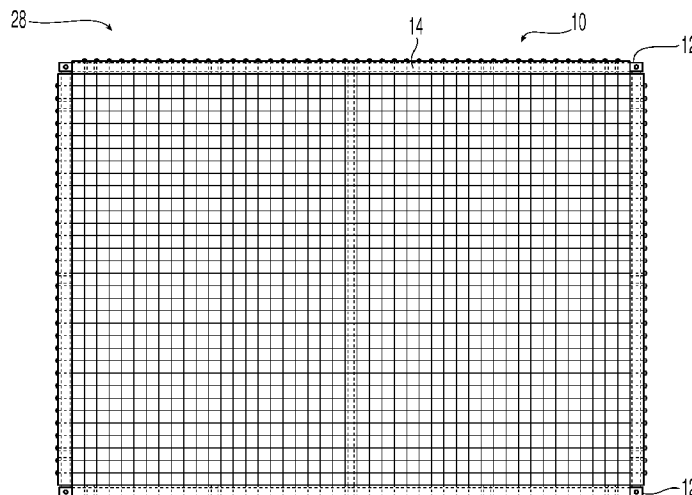
(57) **ABSTRACT**

**U.S. PATENT DOCUMENTS**

265,551	A *	10/1882	Wickersham	182/83
448,101	A *	3/1891	Whittier	182/138
867,178	A *	9/1907	Wiley	182/150
896,213	A *	8/1908	Kerpoot	182/138
2,076,810	A *	4/1937	Deckard	182/150
2,326,052	A *	8/1943	Moore	182/114
2,709,626	A *	5/1955	Woodburn	182/121
3,021,114	A *	2/1962	O'Connell	256/24
3,434,567	A *	3/1969	Wilkins	182/222
4,068,855	A *	1/1978	Hackett	280/79.3
4,129,197	A *	12/1978	Preston	182/82
4,388,982	A *	6/1983	Yonahara	182/82
4,401,186	A *	8/1983	Dobersch	182/113

A wire rope tension grid is a walking surface comprised of interwoven wire rope. The wire rope is supported by a framework of steel angle and tubing. The framework is supported by mounts that are hung from the support beams in the ceiling of a structure, often a performing art center, a television studio, a black box theater, museum dioramas, theme park scenes, live animal pens, or other entertainment venues. These grids are not intended for public usage, but rather are intended for operation staff. New improvements to these grids are listed in this document.

**15 Claims, 7 Drawing Sheets**



(56)

References Cited

U.S. PATENT DOCUMENTS

5,984,121	A *	11/1999	Cole	211/183	7,740,048	B2 *	6/2010	Wilson	160/371
6,006,923	A *	12/1999	Helmy et al.	209/397	7,954,656	B1 *	6/2011	Cuzzocrea	211/189
6,026,545	A *	2/2000	Duggan	24/265 AL	8,123,001	B1 *	2/2012	Apostolopoulos et al.	182/150
6,164,476	A *	12/2000	Rene et al.	220/4.31	2002/0020584	A1 *	2/2002	Cjepa	182/138
6,182,790	B1 *	2/2001	Denny et al.	182/138	2002/0029932	A1 *	3/2002	Apostolopoulos	182/150
6,186,274	B1 *	2/2001	Reynolds et al.	182/138	2002/0104710	A1 *	8/2002	Thompson et al.	182/138
6,536,167	B2 *	3/2003	Glavan	52/81.3	2002/0144469	A1 *	10/2002	Glavan	52/81.3
6,561,107	B1 *	5/2003	Wood et al.	108/132	2003/0001424	A1 *	1/2003	Mundell et al.	297/452.56
6,722,512	B2 *	4/2004	Scully	211/183	2003/0131539	A1 *	7/2003	Burford et al.	52/64
6,837,388	B2 *	1/2005	Calleja	211/183	2003/0145799	A1 *	8/2003	Hays et al.	119/502
6,851,661	B1 *	2/2005	Penning	256/59	2003/0177705	A1 *	9/2003	Forbis et al.	52/3
7,014,053	B2 *	3/2006	Calleja	211/183	2004/0079586	A1 *	4/2004	Walls et al.	182/138
7,191,907	B2 *	3/2007	Conway	211/180	2004/0117928	A1 *	6/2004	Apostolopoulos	14/77.1
7,389,856	B2 *	6/2008	Irvin	182/222	2004/0245512	A1 *	12/2004	Naegele	256/47
7,735,606	B1 *	6/2010	Norton	182/186.9	2006/0201744	A1 *	9/2006	Curtis et al.	182/138
					2008/0251322	A1 *	10/2008	Irvin	182/222
					2010/0018802	A1 *	1/2010	Sani	182/142
					2011/0204760	A1 *	8/2011	Finstad et al.	312/311

\* cited by examiner

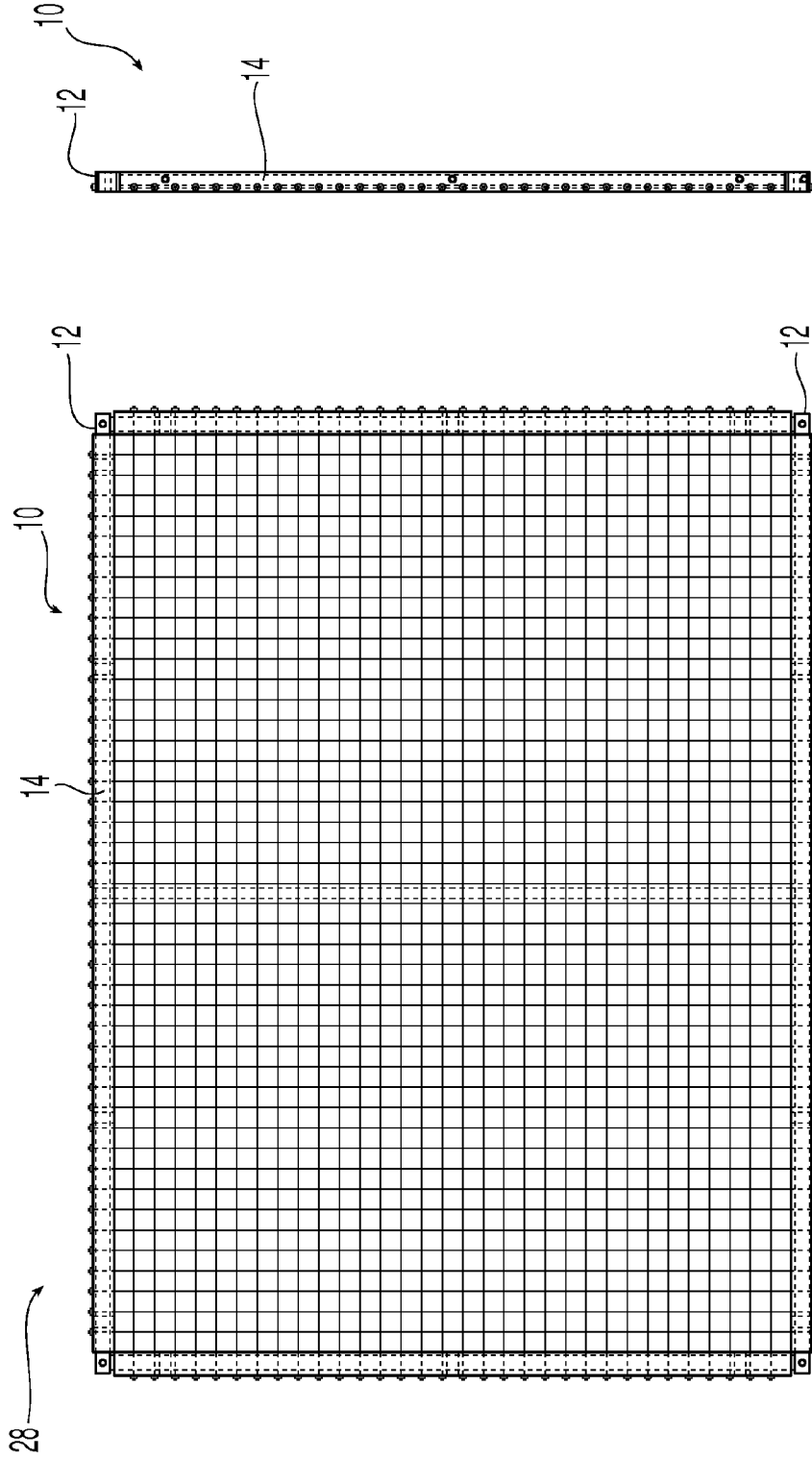


Fig. 1

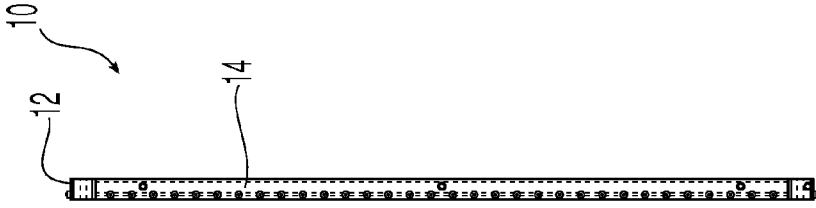


Fig. 2

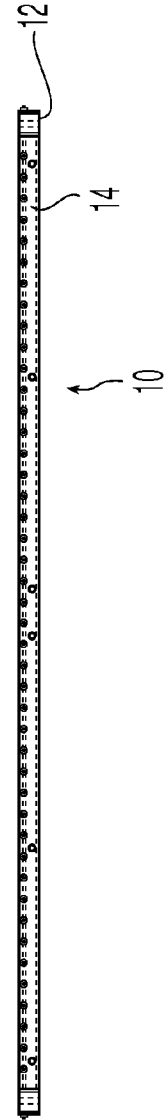
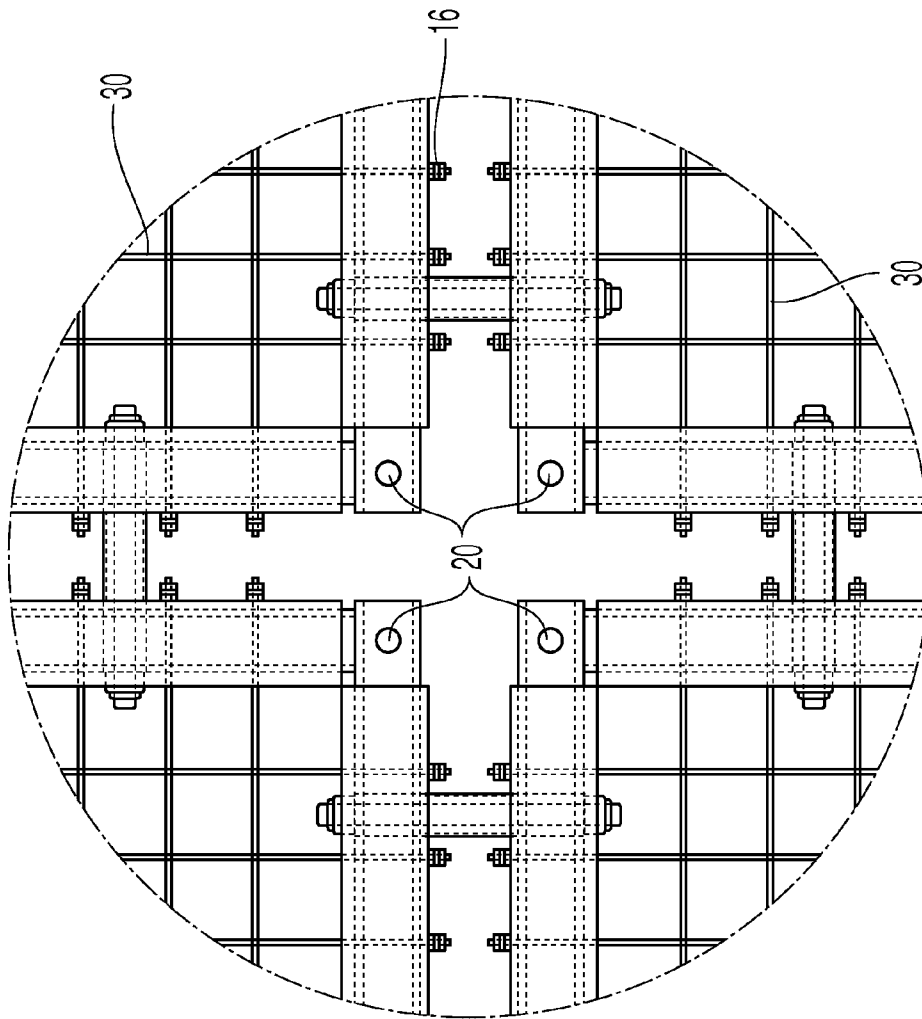
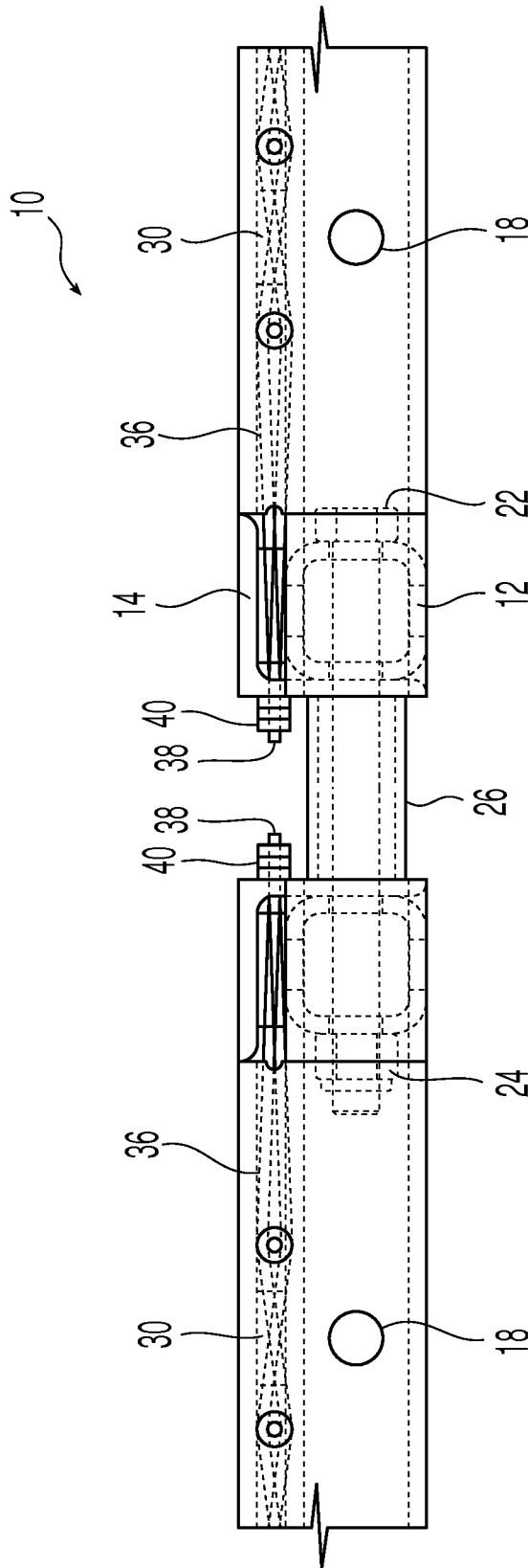


Fig. 3



**Fig. 4**



**Fig. 5**

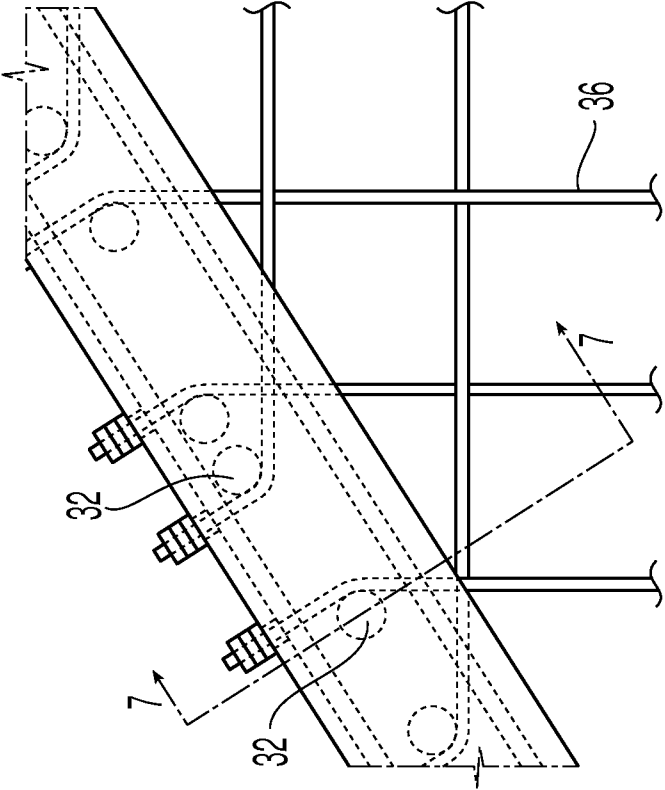


Fig. 6

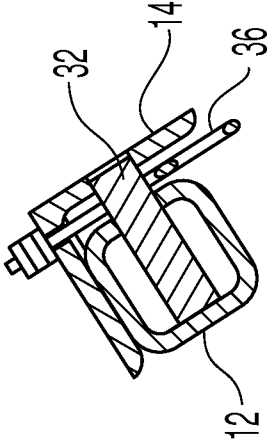


Fig. 7

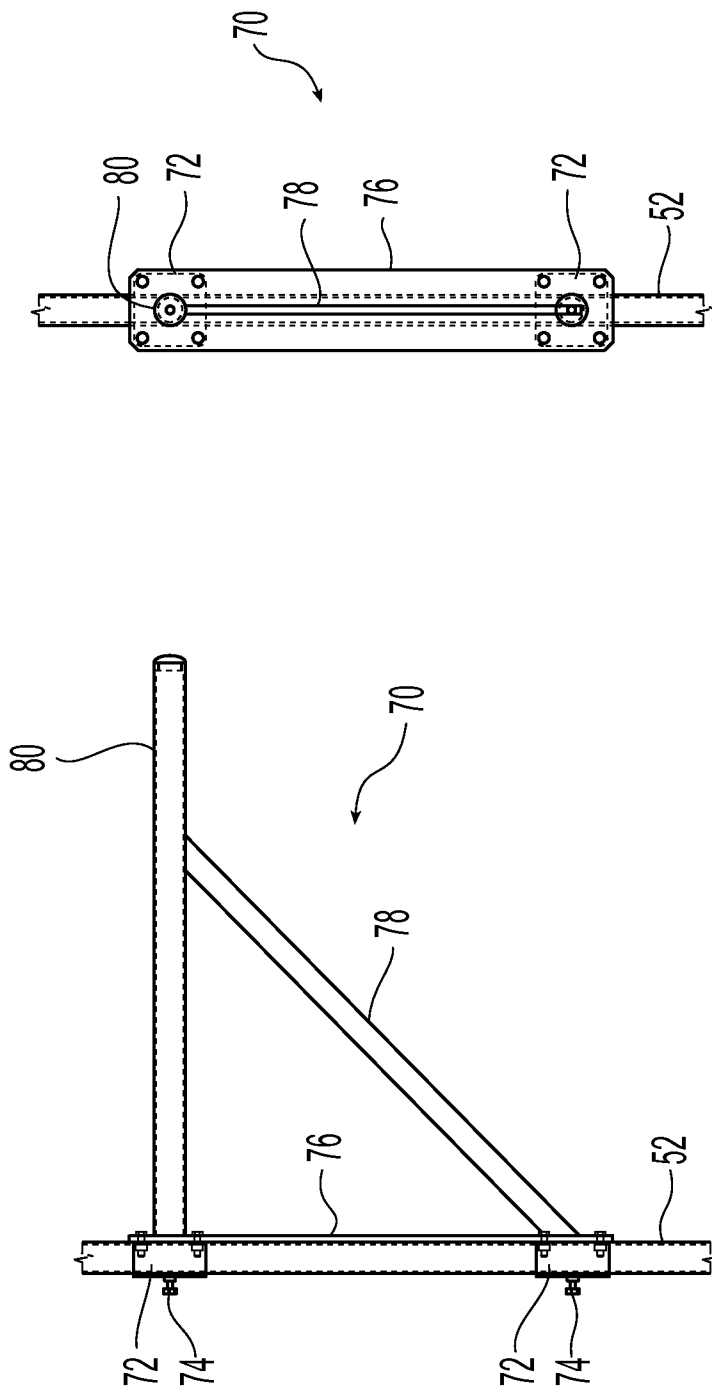
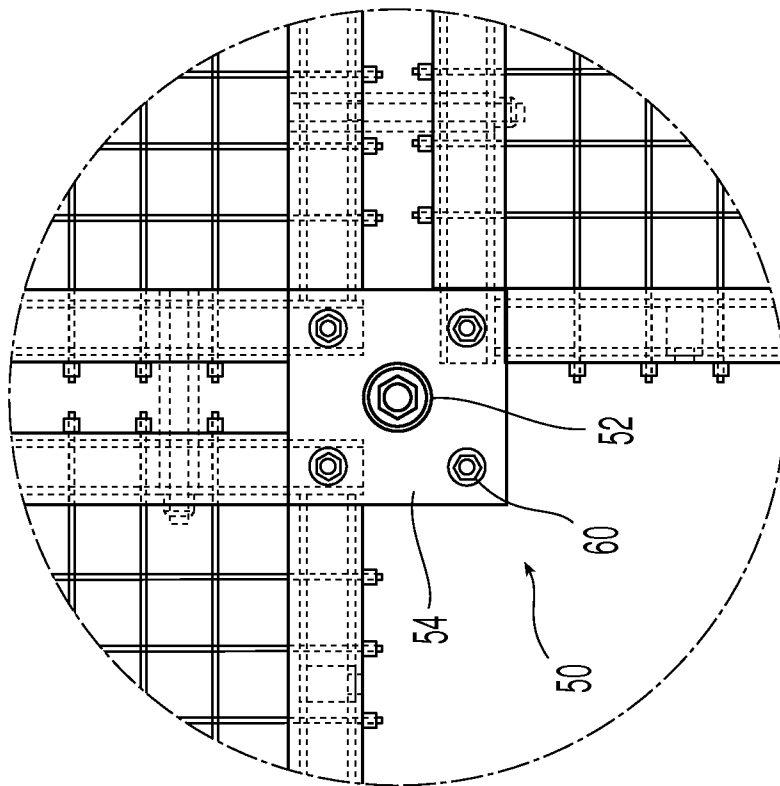
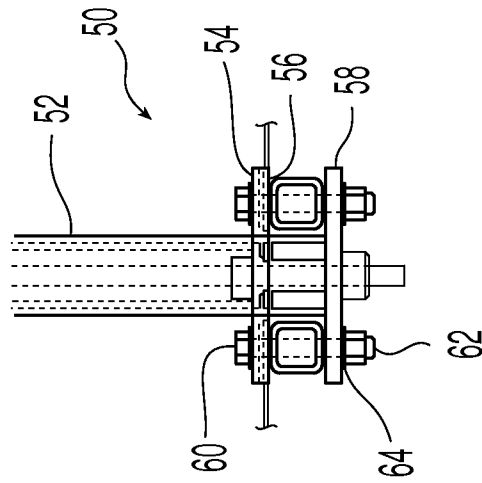


Fig. 9

Fig. 8

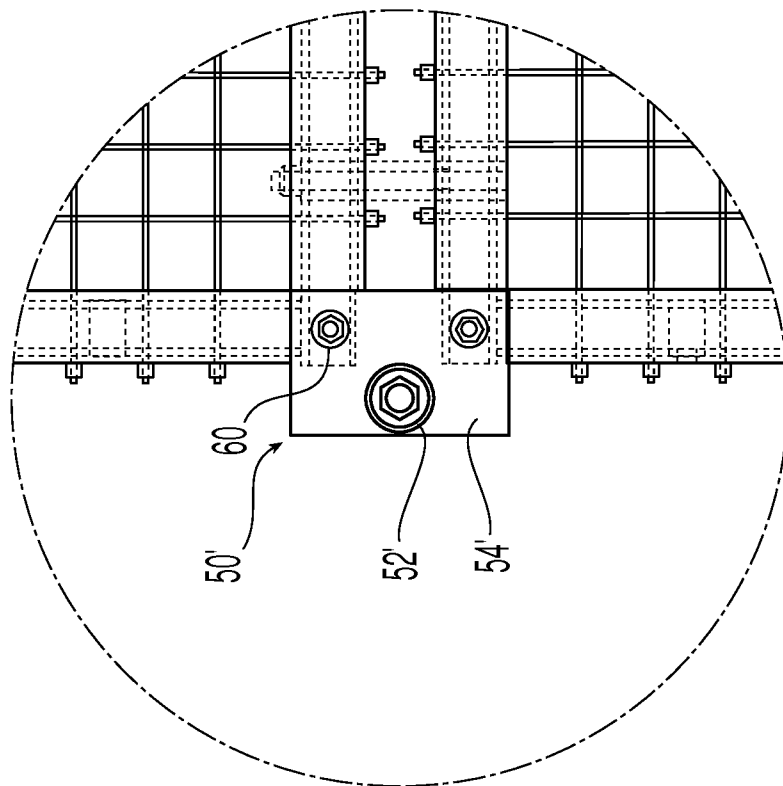


**Fig. 10**

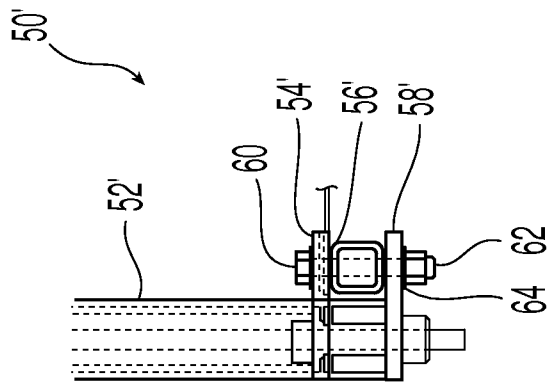


**Fig. 11**





**Fig. 12**



**Fig. 13**

1

## WIRE ROPE TENSION GRID IMPROVEMENTS

### BACKGROUND

These inventions improve the design of the current grid structure. The use, safety, and assembly of safe aerial platforms is likewise improved. The present invention is used to allow personnel safe access to high reach areas for mechanical tasks and maintenance operations, such as changing the position of theatrical lights, servicing air conditioning ducts, etc.

The wire rope tension grid has been in use for decades. It is usually installed in performing art centers, black box theaters, and in locations where it is difficult, impossible, or impractical to get a ladder or man lift in an area for maintenance. Through both the use and construction of many wire rope tension grid systems, InterAmerica Stage, Inc. has made various improvements to the structures. Currently we will be releasing a new line of improved wire rope tension grids. These grids will feature both the improvements that have been made over time by our firm and new improvements that have been developed and tested by our engineering staff.

Safety is one of the major reasons the wire rope tension grid is used. It minimizes the risk of falling while performing high reach operations using ladders or lifts. The other major benefit to the wire rope tension grid is that light can pass through without casting shadows on surfaces below it. This is particularly useful in the entertainment industry, where lighting of props, the focus of sound, and special effects placement are of the utmost importance in a performance.

### A BRIEF SUMMARY OF THE INVENTION

**Modularity:** A wire rope tension grid is installed as a modular item, able to be removed for service and transported easily for erection. The connections to the modular attachments have been improved. Through-bolts connect hanger points to the grid. This provides a hard connection as opposed to a floating clamped connection. This is a further improvement over the pieces in the past that are non-modular, being welded to their respective support hangers.

Reducing the lateral stress on the wire rope within the wire rope tension grid was a major priority. Rolled edges and chamfered through holes have aided in this regard. Even the position of the hole itself has been reconsidered, and positioned accordingly. The cable is supported over the frame support tube increasing the area of impact and lessening the stress at any particular point in the cable. This allows for a horizontal load to be applied to the wire rope.

Structural strength of the frame has likewise been improved by adding support tabs that do not interfere with the location of the wire rope. These help distribute the vertical and torsion loads that are exerted on the frame while it is in use.

The bottom portion of the hanger connections were further improved, providing streamlined outer perimeter and corner connections for safe handling and aesthetics.

The top of the hanger mounting plates are sized to allow for a flush walking surface.

A lighting pipe outrigger system has been developed applying lighting fixtures or light bars outboard from principal wire rope tension grid suspension points.

Originally, a spacer on the wire rope was used to assist in the swaging of a copper stop sleeve on the wire. With the use of a new purpose built hydraulic swaging tool this is no longer necessary.

2

Through bolts within the frame allow for a rigid connection to adjacent wire tension grid panels. This helps to prevent the frame from bowing under stresses applied by taut wire rope.

In an instance where a wire rope tension grid system is required to have the wire rope non-perpendicular and non-parallel to the frame, a new way of distributing the wires had to be realized. A wire rope turn pin was added to the frame so that the wire rope can be weaved in the same way that the regular rectangular tension grids. The wire rope turn pin decreases the stress on the cable. Elliptical slots on frame for the cables further lessen pinch points.

### A BRIEF DESCRIPTION OF THE DRAWINGS

FIG. 1 is a top view of one embodiment of a wire rope tension grid according to the present invention.

FIG. 2 is a front view of the wire rope tension grid of FIG. 1.

FIG. 3 is a side view of the wire rope tension grid of FIG. 1.

FIG. 4 is a top view of the wire rope tension grid; displays thru holes for mounting brackets, a lack of spacers at the termination points of the wire rope, and new support bar locations.

FIG. 5 is a side view of the wire rope tension grid; displays lowered cable thru holes for cable support, and thru bolt holes for mounting adjacent panels.

FIG. 6 is a top view of wire rope tension grid where wire rope is not perpendicular and parallel to the frame, displays wire rope turn pin.

FIG. 7 is a cross section of the frame with a wire rope turn pin.

FIG. 8 is a side view of a lighting pipe system. Displays the bracket that connects it to the hanger pipe.

FIG. 9 is a front view of the lighting pipe system of FIG. 8.

FIGS. 10 and 11 illustrate a hanger assembly for connecting frames within grid system.

FIGS. 12 and 13 illustrate a hanger assembly for connecting frames at the edge of the grid system.

### A DETAILED DESCRIPTION OF THE PREFERRED EMBODIMENTS

FIGS. 1-3 display a complete wire rope tension grid panel 10. These wire rope tension grid panels 10 are constructed of mild steel tubing 12 and mild steel angle 14. The dimensions of the said steel vary per application, but are most often constructed of  $\frac{3}{16}$ " thick 1.5" times 1.5" mild steel tubing 12 with a piece of mild steel angle 14 measuring 1.5" times 1.75"

Holes 16 are predrilled into the mild steel angle 14 at increments of 2" center. See FIG. 2. These holes 16 are  $\frac{5}{32}$ " in diameter. Holes 18, 20 are also predrilled into specific points on the mild steel tubing 12 for modular through-holes 18 and for hanger plate bolts (20). See FIGS. 4 and 5. The through-holes 18 are used by bolts 22 with nuts 24 and spacers 26 to join and maintain the spacing of two adjacent wire rope tension grid panels 10.

The mild steel angle 14 is welded onto the mild steel tubing 12 making the basic frame structure 28. This basic frame structure 28 is reinforced by supports 30 welded above the locations of the through-holes 18 used for modular attachments. FIGS. 4 and 5 display these supports 30 as hidden lines.

FIGS. 6 and 7 display the use of the wire rope turn pin 32. If the design calls for the use of this device then a hole will be drilled into the mild steel angle 14 and mild steel tubing 12.

The wire rope turn pin will then be inserted into the frame and will be plug welded from the top side of the angle.

Basic frame structure **28** is often powder coated or painted, often flat black, so that is not visually intrusive to the general public.

The wire rope **36** is then weaved into the frame by hand. The ends **38** of the wire rope **36** are inserted into the  $\frac{5}{32}$ " holes. A copper stop sleeve **40** is slid over the ends of the cable. A modified torque wrench is used to apply an accurate amount of tension within the wire rope **36** as the copper stop sleeve **40** is swaged onto the wire rope **36**. This is done on both sides of the wire rope **36** resulting in an evenly distributed amount of tension along the entire wire rope tension grid panel **10**.

The hanger assembly **50** is comprised of mild steel tubing **52**, often 1.5" schedule **40**. The upper hanger plate **54** is welded onto the mild steel tubing **52**. Holes **56** are drilled in locations that correspond to the predrilled holes **20** in the frame's mild steel tubing **12**. The upper portion of the entire hanger assembly **50** varies per application and structure. Please see FIGS. **10** and **11**.

The lower portion **58** of the hanger plate assembly **50** is a steel plate that is drilled to correspond to the bolt holes **20** for the frame and the upper hanger plate **54** of the hanger assembly **50**. These parts are often painted or powder coated, often flat black, so that is not visually intrusive to the general public and so that it matches the frame.

A side version of a hanger assembly **50'** is illustrated in FIGS. **12** and **13**. The hanger assembly **50'** has mild steel tubing **52'** and. The upper hanger plate **54'** is welded onto the mild steel tubing **52'**. Holes **56'** are drilled in locations that correspond to the predrilled holes **20** in the frame's mild steel tubing **12**. A lower portion **58'** of the hanger plate assembly **50'** is a steel plate that is drilled to correspond to the bolt holes **20** for the frame and the upper hanger plate **54'** of the hanger assembly **50'**.

The entire assembly is erected on site and is bolted together using grade 5,  $\frac{1}{2}$ " times 13" Carbon Zinc Plated Hex Head Bolt **60**, with a  $\frac{1}{2}$  Carbon Zinc Plated Nylok nut **62**, and flat  $\frac{1}{2}$  washers **64**.

FIGS. **8** and **9** display the outrigger lighting pipe system **70**, it is comprised of at least two pipe clamps **72** with screws **74** used to adjust the location of the system, a flat piece of mild steel **76** measuring the width of the pipe clamps **72**, a support beam **78** of mild steel, and an outrigger pipe **80** for hanging electrical equipment such as lights and speakers.

The pipe clamps **72** are measured out to fit the support hangers. Likewise, the outrigger pipe **80** is sized to fit common lighting fixtures with ease.

All of the parts of the wire rope tension grid system are design for modular installation, easy and safe use, and simple maintenance.

The invention claimed is:

**1.** A modular wire rope tension platform comprising:

- a plurality of tubular members, the plurality of tubular members having opposed ends, the plurality of tubular members forming a generally rectangular configuration;
- a plurality of angled members, one of the plurality of angled members being fixedly attached to a single respective one of the plurality of tubular members, each of the plurality of angled members extending along at least a portion of a length of a respective one of the plurality of tubular members;
- a plurality of pins disposed in each of the plurality of tubular members, the pins extending beyond a top sur-

face of the tubular members and into a space formed directly between the tubular members and attached angled member; and

- a plurality of wire rope segments, the wire rope segments extending between at least two of the plurality of angled members, the plurality of wire rope segments engaging at least one of the plurality of pins and passing in the space between the tubular members and the attached angled member, and attached to at least one of the plurality of angled members.

**2.** The modular wire rope tension platform according to claim **1**, wherein the plurality of tubular members have a plurality of through holes, the plurality of through holes configured to accept an attachment member to secure another modular wire rope tension platform thereto.

**3.** The modular wire rope tension platform according to claim **1**, wherein the opposed ends of the plurality of tubular members have openings therein for attachment to a hanger.

**4.** The modular wire rope tension platform according to claim **1**, wherein the plurality of wire rope segments are interwoven.

**5.** The modular wire rope tension platform according to claim **1**, wherein the plurality of wire rope segments are sized to allow for light to pass through the modular wire rope tension platform.

**6.** The modular wire rope tension platform according to claim **1**, wherein the plurality of tubular members form a square.

**7.** A modular aerial platform for hanging from a supporting structure, the modular aerial platform comprising:

- a plurality of modular wire rope tension platforms, each of the plurality of wire rope tension platforms comprising:
  - a plurality of tubular members, the plurality of tubular members having opposed ends, the plurality of tubular members forming a generally rectangular configuration;

- a plurality of angled members, one of the plurality of angled members being fixedly attached to a single respective one of the plurality of tubular members, each of the plurality of angled members extending along at least a portion of a length of the single respective one of the plurality of tubular members;

- a plurality of pins disposed in each of the plurality of tubular members, the pins extending beyond a top surface of the tubular members and into a space directly between the tubular members and attached angled member; and

- a plurality of wire rope segments, the wire rope segments extending between opposing ones of the plurality of angled members, the plurality of wire rope segments engaging at least one of the plurality of pins and passing in the space between the tubular members and attached angled members;

- a plurality of hangers, each of the plurality of hangers attached to at least two of the plurality of modular wire rope tension platforms, the plurality of hangers configured to be attached to and hang from the supporting structure; and

- a plurality of attachment members operatively connected to two adjacent modular wire rope tension platforms.

**8.** A modular wire rope tension platform comprising:

- a plurality of tubular members, each of the plurality of tubular members having opposed ends, the plurality of tubular members forming a generally rectangular configuration;

- a plurality of angled members, each of the plurality of angled members being fixedly attached to only one of

5

the plurality of tubular members, the angled member extending along at least a portion of a length of the attached tubular member and forming a space directly therebetween; and

a plurality of wire rope segments, the wire rope segments extending between opposing ones of the plurality of angled members, the plurality of wire rope segments passing in the space between the tubular members and the angled members and attached to at least one of the plurality of angled members.

9. The modular wire rope tension platform according to claim 8, wherein each of the plurality of wire rope segments are secured against an outside surface of a respective one of the plurality of angled members.

10. The modular wire rope tension platform according to claim 8, wherein the plurality of tubular members have a plurality of through holes, the plurality of through holes configured to accept an attachment member to secure another modular wire rope tension platform thereto.

11. The modular wire rope tension platform according to claim 8, wherein the opposed ends of the plurality of tubular members have openings therein for attachment to a hanger.

12. The modular wire rope tension platform according to claim 8, wherein the plurality of wire rope segments are interwoven.

13. The modular wire rope tension platform according to claim 8, wherein the plurality of wire rope segments are sized to allow for light to pass through the modular wire rope tension platform.

6

14. The modular wire rope tension platform according to claim 8, wherein the plurality of tubular members form a square.

15. A modular aerial platform for hanging from a supporting structure, the modular aerial platform comprising:

a plurality of modular wire rope tension platforms, each of the plurality of wire rope tension platforms comprising: a plurality of tubular members, the plurality of tubular members having opposed ends, the plurality of tubular members forming a generally rectangular configuration;

a plurality of angled members, one of the plurality of angled members being fixedly attached to a only one of the plurality of tubular members, the angled member extending along at least a portion of a length of the attached tubular member and forming a space directly therebetween; and

a plurality of wire rope segments, the wire rope segments extending between opposing ones of the plurality of angled members, the plurality of wire rope segments passing in the space between the tubular members and attached angled members;

a plurality of hangers, each of the plurality of hangers attached to at least two of the plurality of modular wire rope tension platforms, the plurality of hangers configured to be attached to and hang from the supporting structure; and

a plurality of attachment members operatively connected to two adjacent modular wire rope tension platforms.

\* \* \* \* \*