



US011754258B2

(12) **United States Patent**  
**Edwards et al.**

(10) **Patent No.:** **US 11,754,258 B2**  
(45) **Date of Patent:** **Sep. 12, 2023**

(54) **DIGITALLY ADJUSTABLE FOCUSED BEAM LIGHTING SYSTEM**

*29/70* (2015.01); *H05B 45/20* (2020.01); *F21Y 2107/40* (2016.08); *F21Y 2115/10* (2016.08)

(71) Applicant: **NBCUniversal Media, LLC**, New York, NY (US)

(58) **Field of Classification Search**  
CPC ..... *F21V 7/06*; *F21V 29/51*; *F21V 29/677*;  
*F21V 29/70*; *H05B 45/20*  
See application file for complete search history.

(72) Inventors: **Charles Edwards**, Mesa, AZ (US);  
**Richard Pierceall**, New York, NY (US)

(56) **References Cited**

(73) Assignee: **NBCUniversal Media, LLC**, New York, NY (US)

U.S. PATENT DOCUMENTS

(\*) Notice: Subject to any disclaimer, the term of this patent is extended or adjusted under 35 U.S.C. 154(b) by 315 days.

6,072,280	A	6/2000	Allen
6,160,359	A	12/2000	Fleischmann
9,723,680	B2	8/2017	Pope et al.
9,930,742	B1	3/2018	Sooch et al.
9,930,763	B1	3/2018	Trickler et al.
10,111,275	B2	10/2018	Norton et al.
10,174,890	B2	1/2019	Di Trapani et al.
10,694,600	B1	6/2020	Edwards et al.
2003/0227774	A1	12/2003	Martin et al.
2006/0001384	A1	1/2006	Tain et al.
2006/0076908	A1	4/2006	Morgan et al.
2009/0201374	A1	8/2009	Hung et al.
2009/0243493	A1	10/2009	Bergquist

(21) Appl. No.: **17/149,671**

(22) Filed: **Jan. 14, 2021**

(65) **Prior Publication Data**

US 2021/0136889 A1 May 6, 2021

**Related U.S. Application Data**

(63) Continuation of application No. 16/381,984, filed on Apr. 11, 2019, now Pat. No. 10,932,340.

(60) Provisional application No. 62/657,476, filed on Apr. 13, 2018.

(51) **Int. Cl.**

<i>F21V 7/06</i>	(2006.01)
<i>F21V 29/51</i>	(2015.01)
<i>F21V 29/67</i>	(2015.01)
<i>F21V 29/70</i>	(2015.01)
<i>H05B 45/20</i>	(2020.01)
<i>F21Y 115/10</i>	(2016.01)
<i>F21Y 107/40</i>	(2016.01)

(52) **U.S. Cl.**

CPC ..... *F21V 7/06* (2013.01); *F21V 29/51* (2015.01); *F21V 29/677* (2015.01); *F21V*

FOREIGN PATENT DOCUMENTS

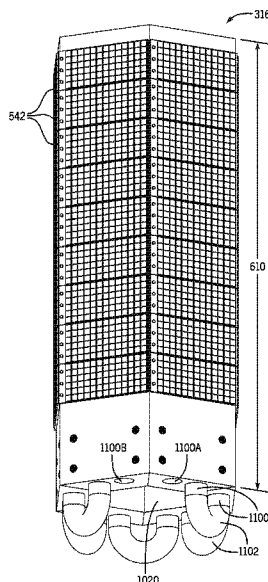
EP 3208515 A1 8/2017

*Primary Examiner* — Thomas M Sember  
(74) *Attorney, Agent, or Firm* — Fletcher Yoder, P.C.

(57) **ABSTRACT**

A lighting assembly includes a lighting tower. The lighting tower includes a plurality of layers of lighting elements, where each layer of lighting elements is configured to provide a different angle of emitted light onto a parabolic reflector with respect to light emitted from another layer of lighting elements onto the parabolic reflector when activated.

**20 Claims, 22 Drawing Sheets**



(56)

**References Cited**

U.S. PATENT DOCUMENTS

2012/0032588	A1 *	2/2012	Lin .....	F21K 9/23 315/32
2012/0206050	A1	8/2012	Spero	
2013/0170176	A1	7/2013	Athalye	
2013/0176723	A1	7/2013	Yang et al.	
2013/0214698	A1	8/2013	Miakseyeu et al.	
2015/0233558	A1	8/2015	Tickin et al.	
2016/0351118	A1	12/2016	Knepper et al.	
2017/0030567	A1	2/2017	Sun et al.	
2017/0354022	A1	12/2017	Dimberg et al.	
2018/0073686	A1	3/2018	Quilici et al.	
2018/0306412	A1	10/2018	Halliwel	
2019/0053403	A1	2/2019	Lin et al.	

\* cited by examiner

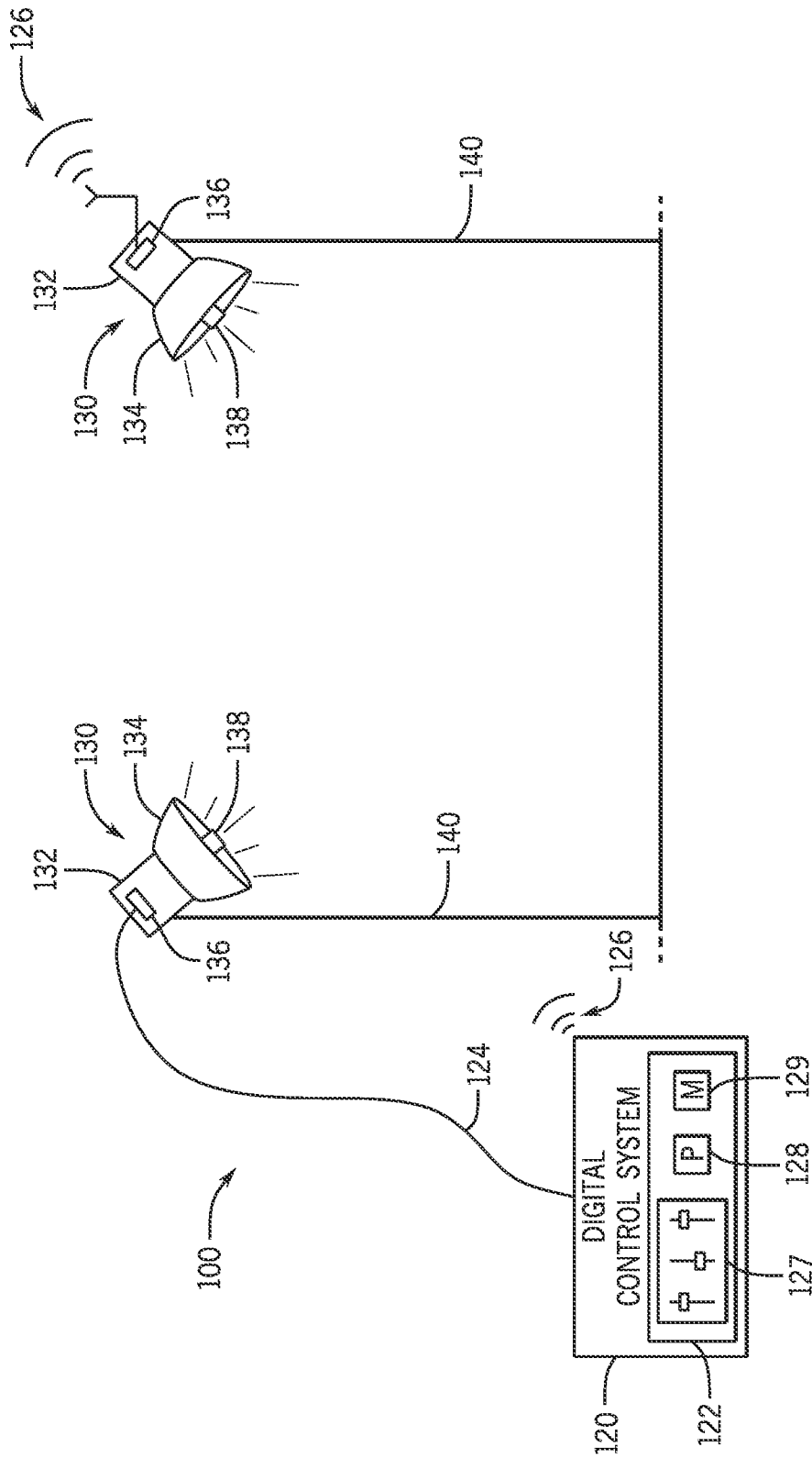


FIG. 1

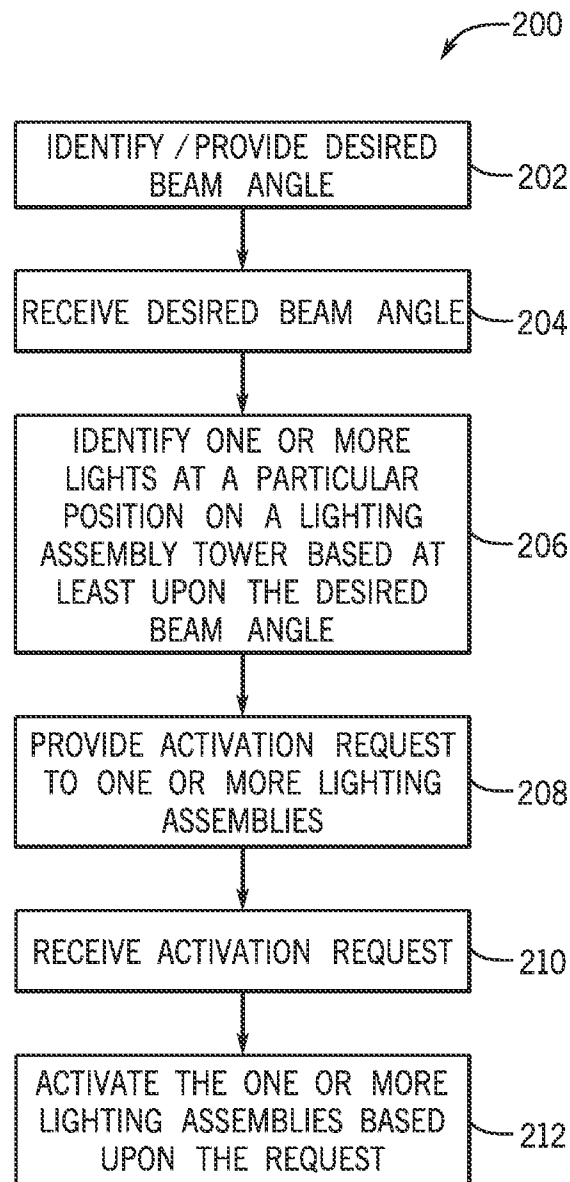


FIG. 2

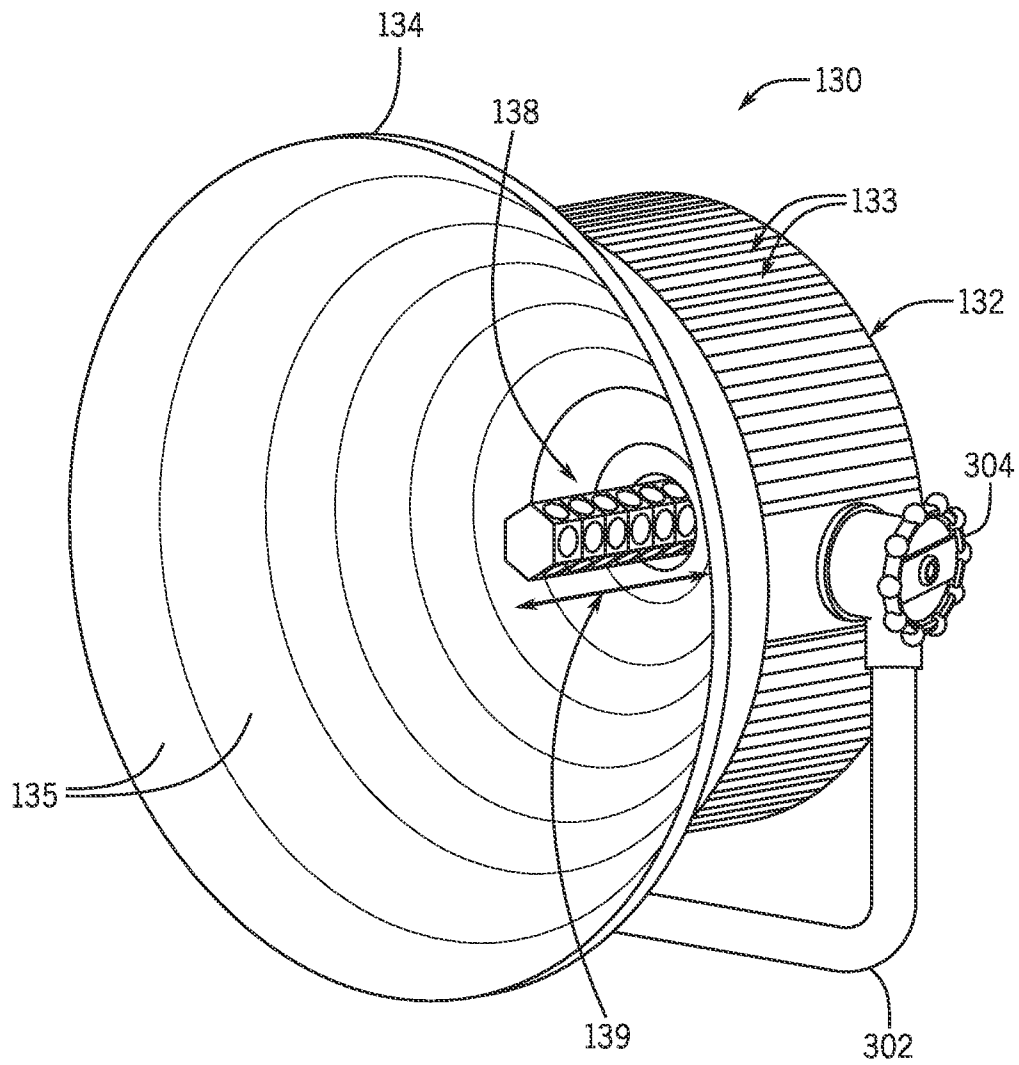


FIG. 3A

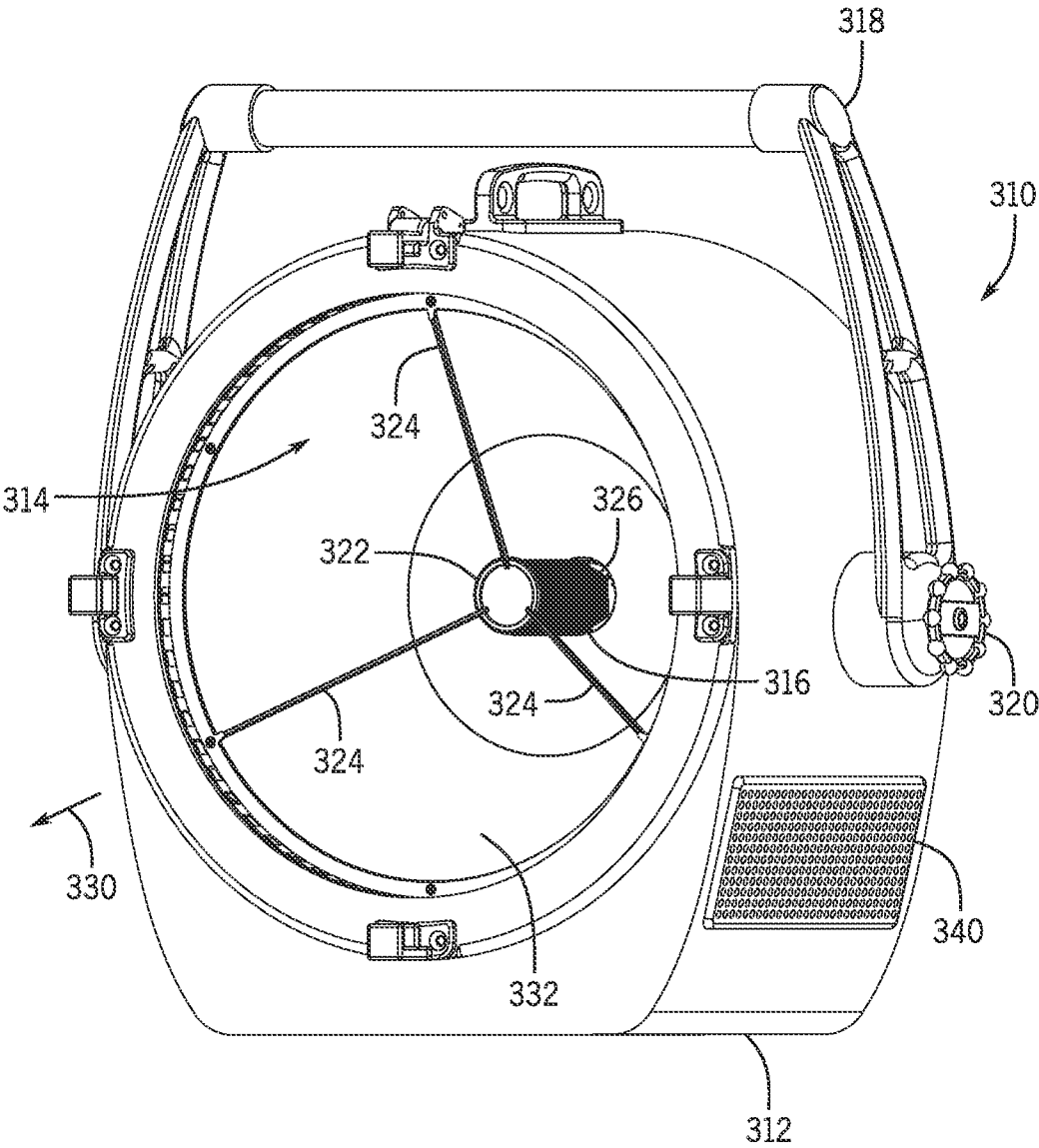


FIG. 3B

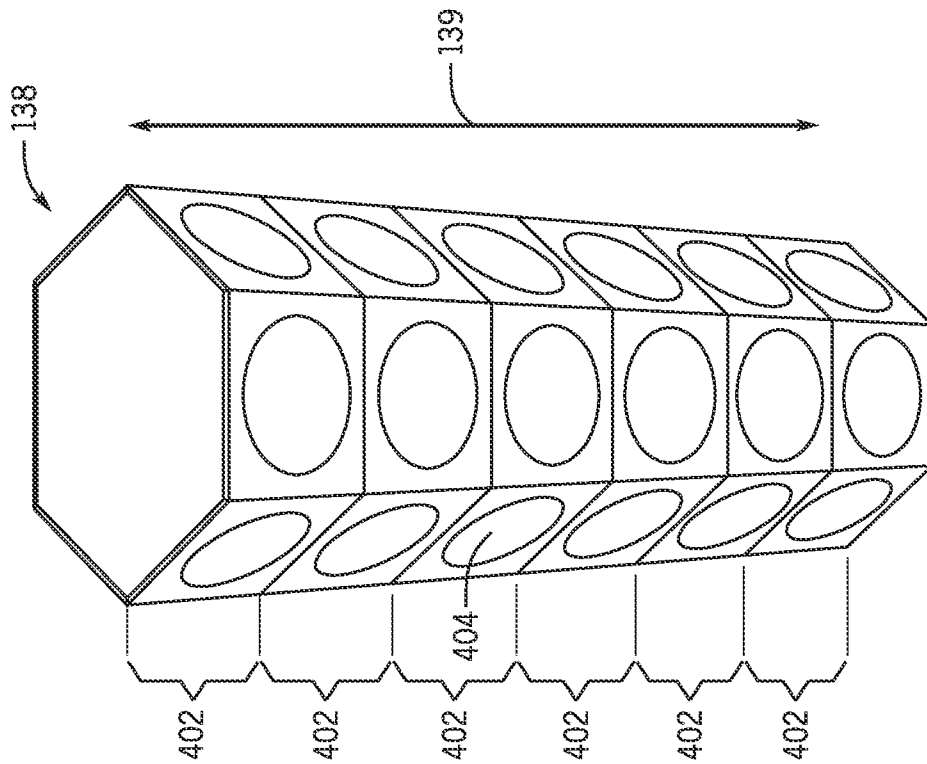


FIG. 4

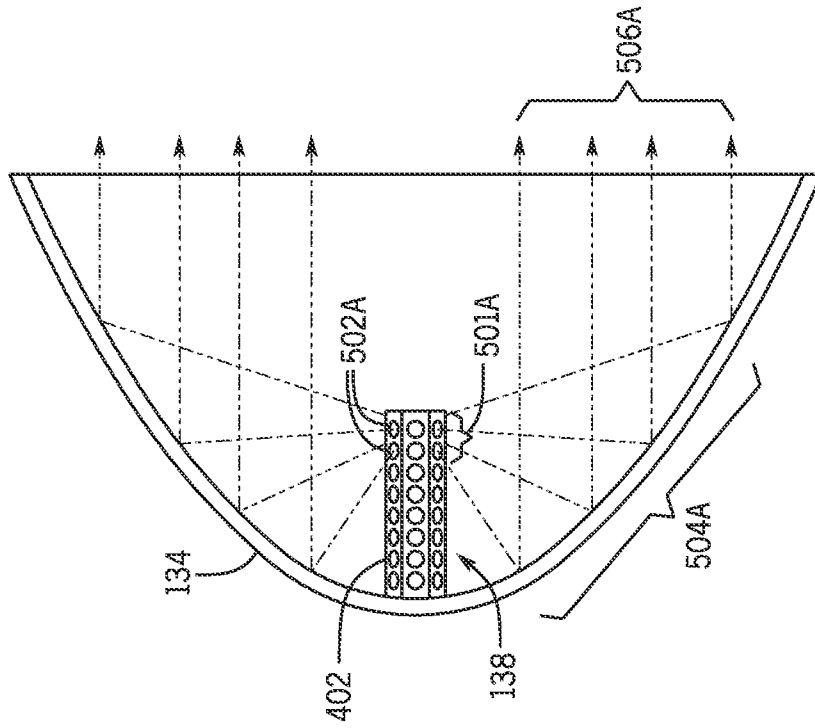


FIG. 5A

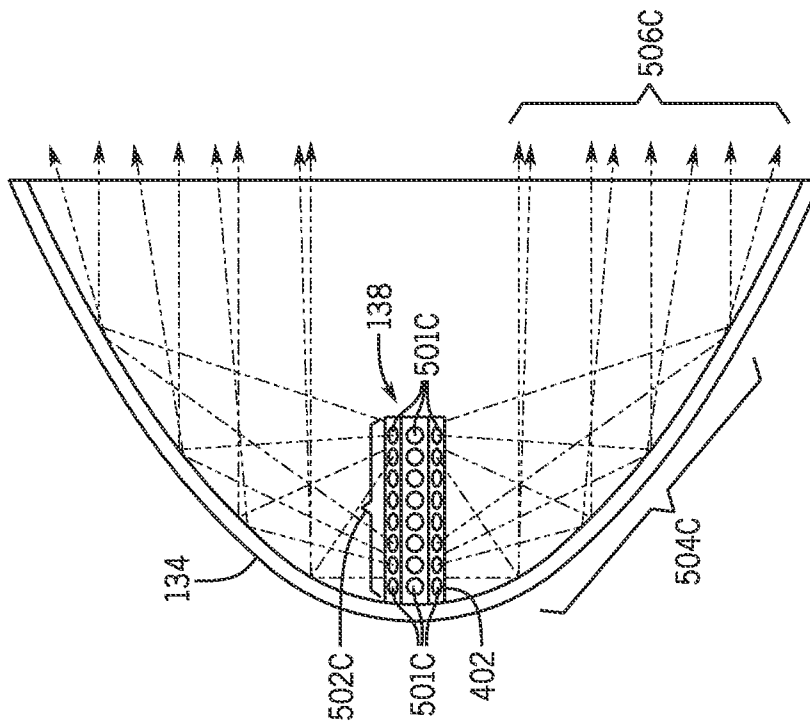


FIG. 5C

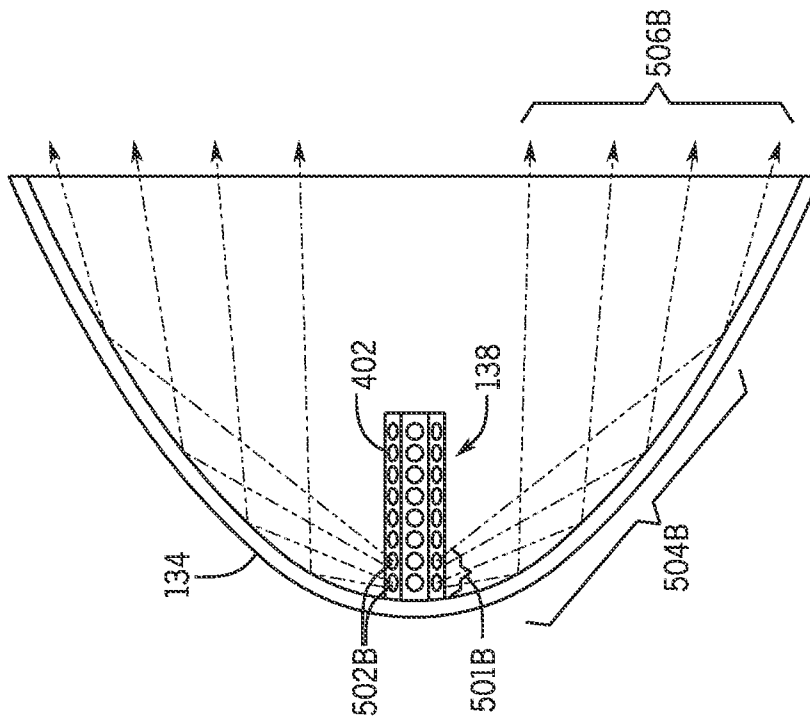


FIG. 5B



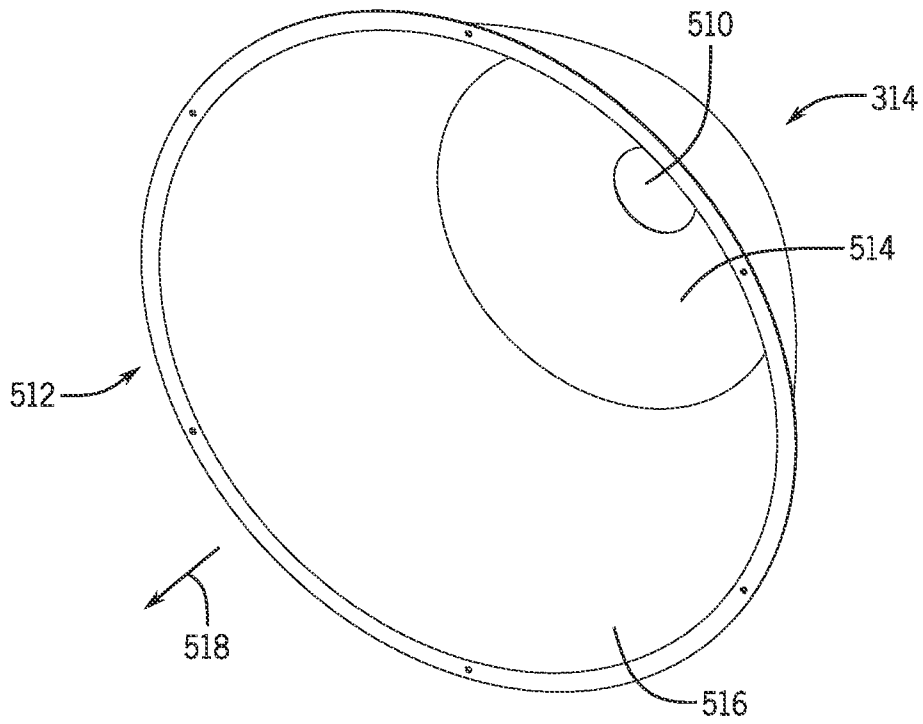


FIG. 5D

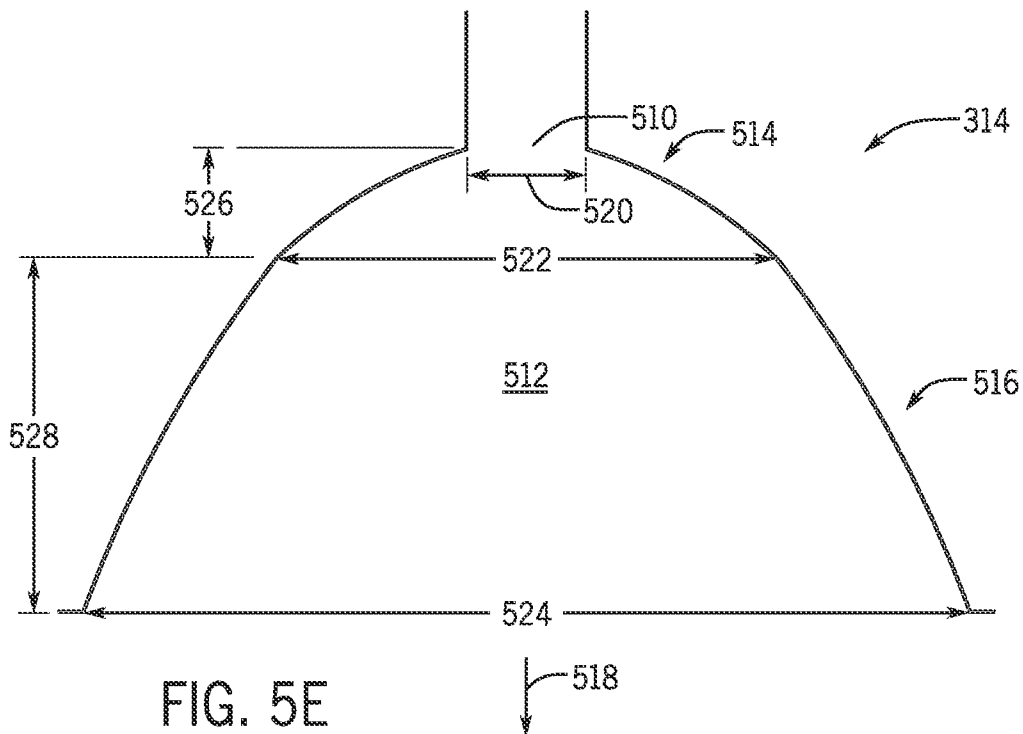


FIG. 5E

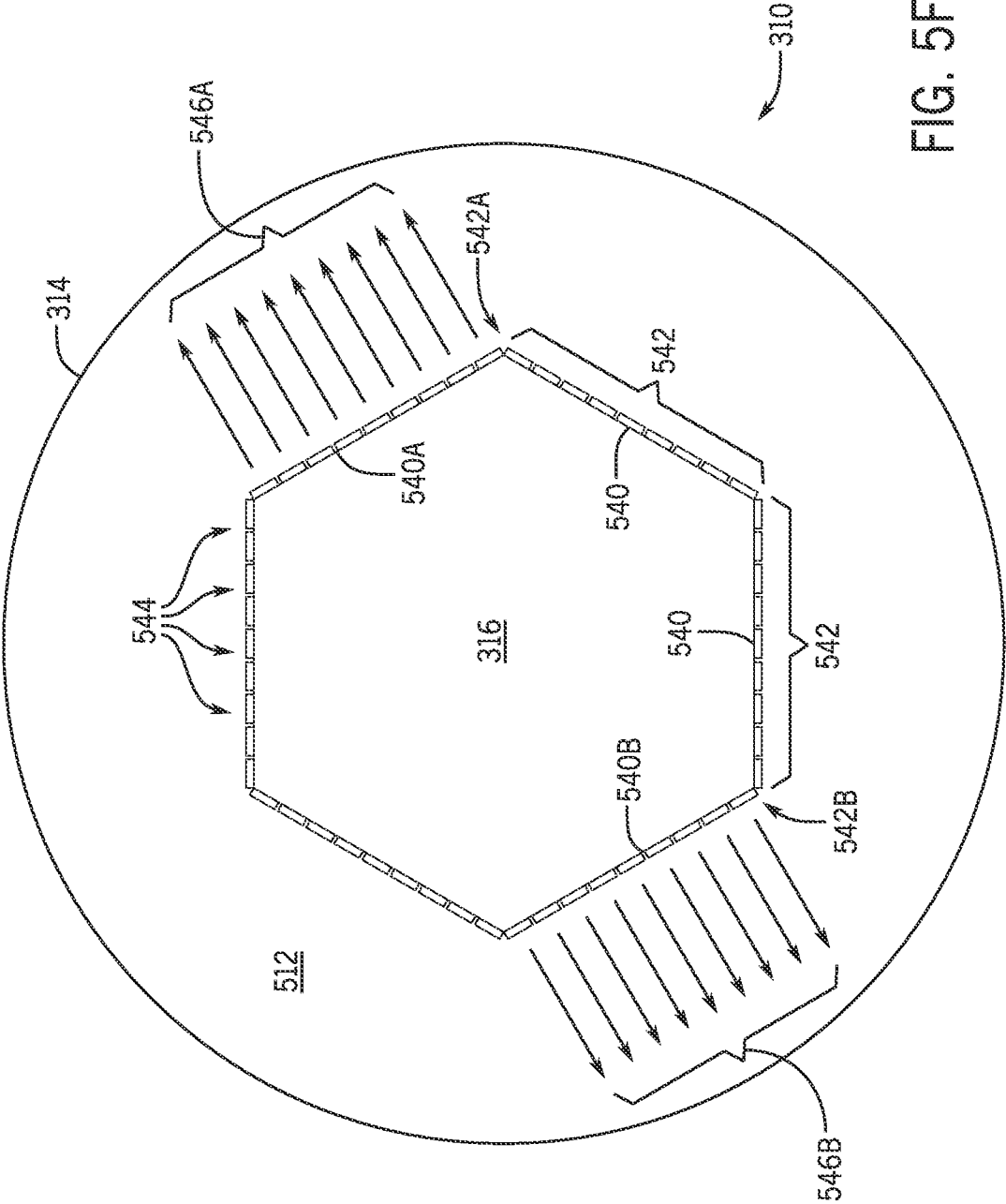


FIG. 5F

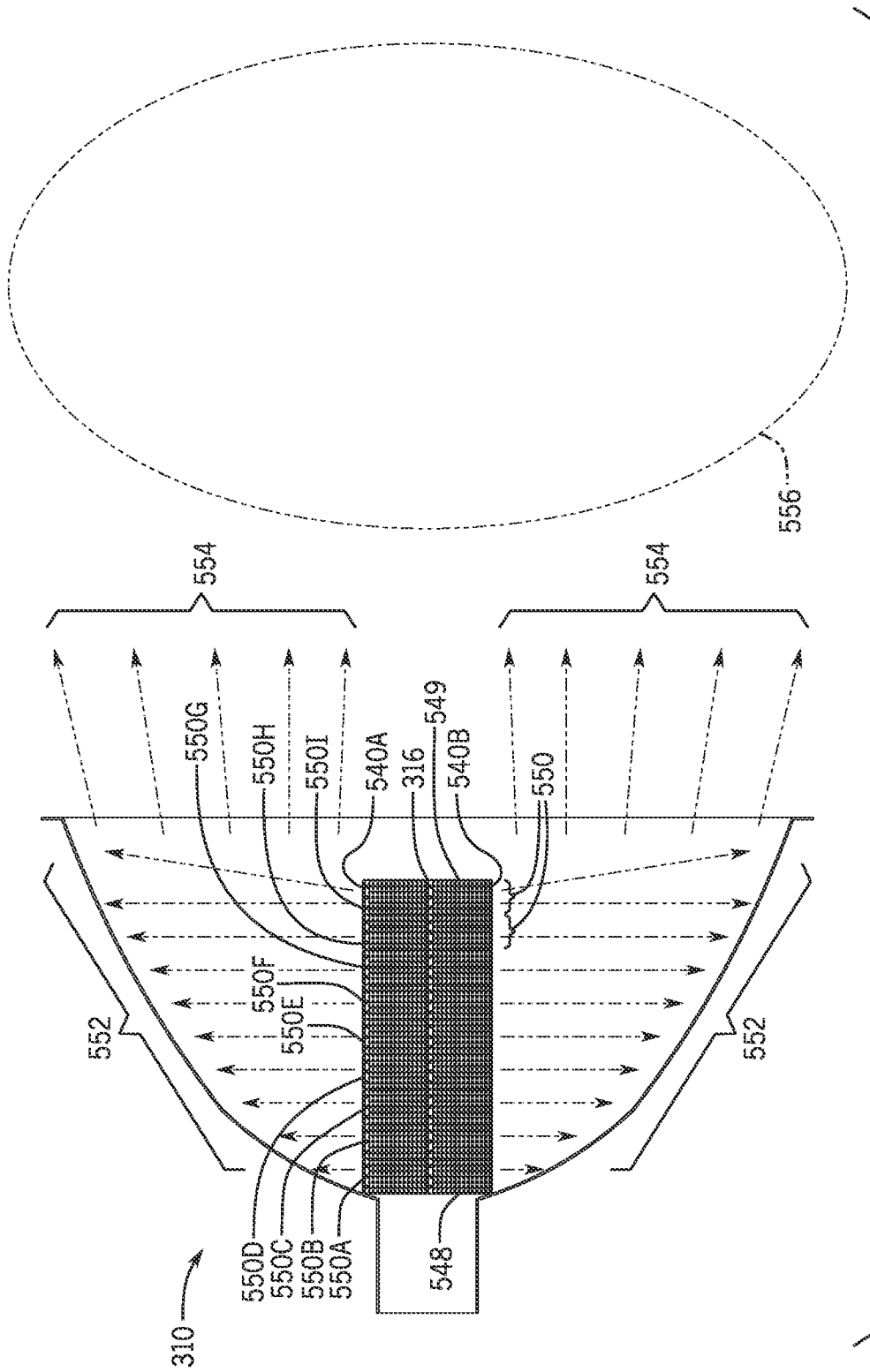
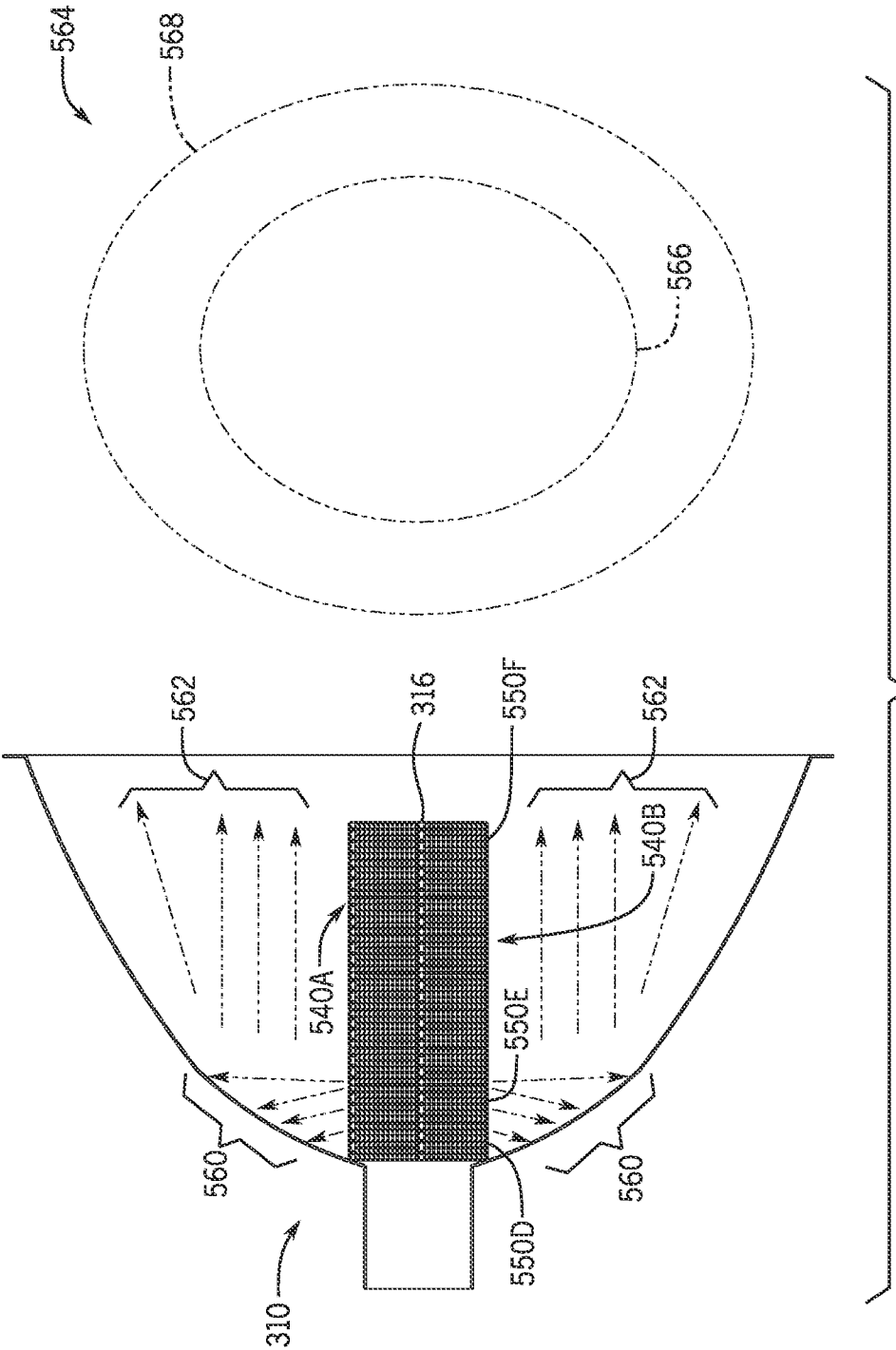
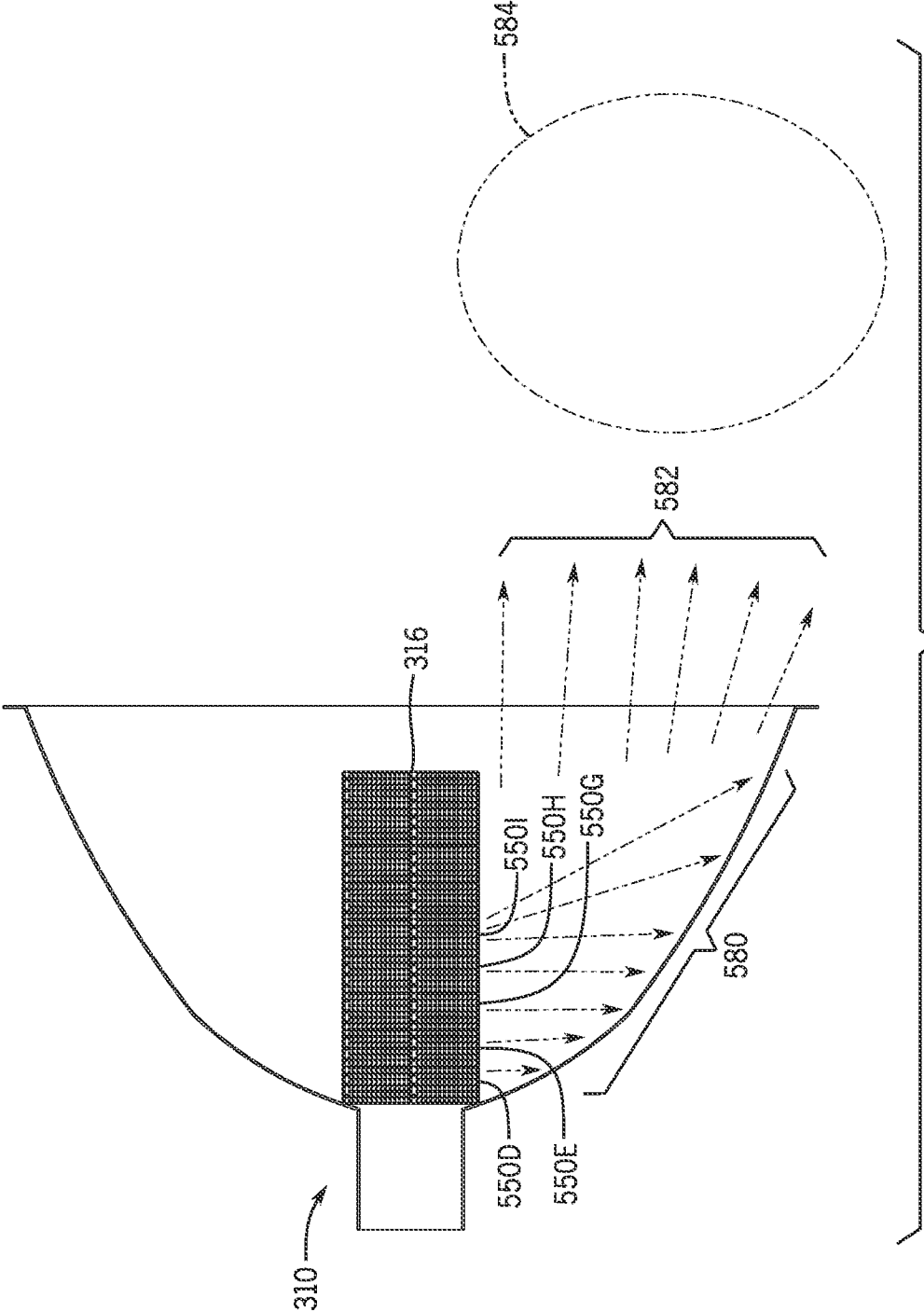


FIG. 5G





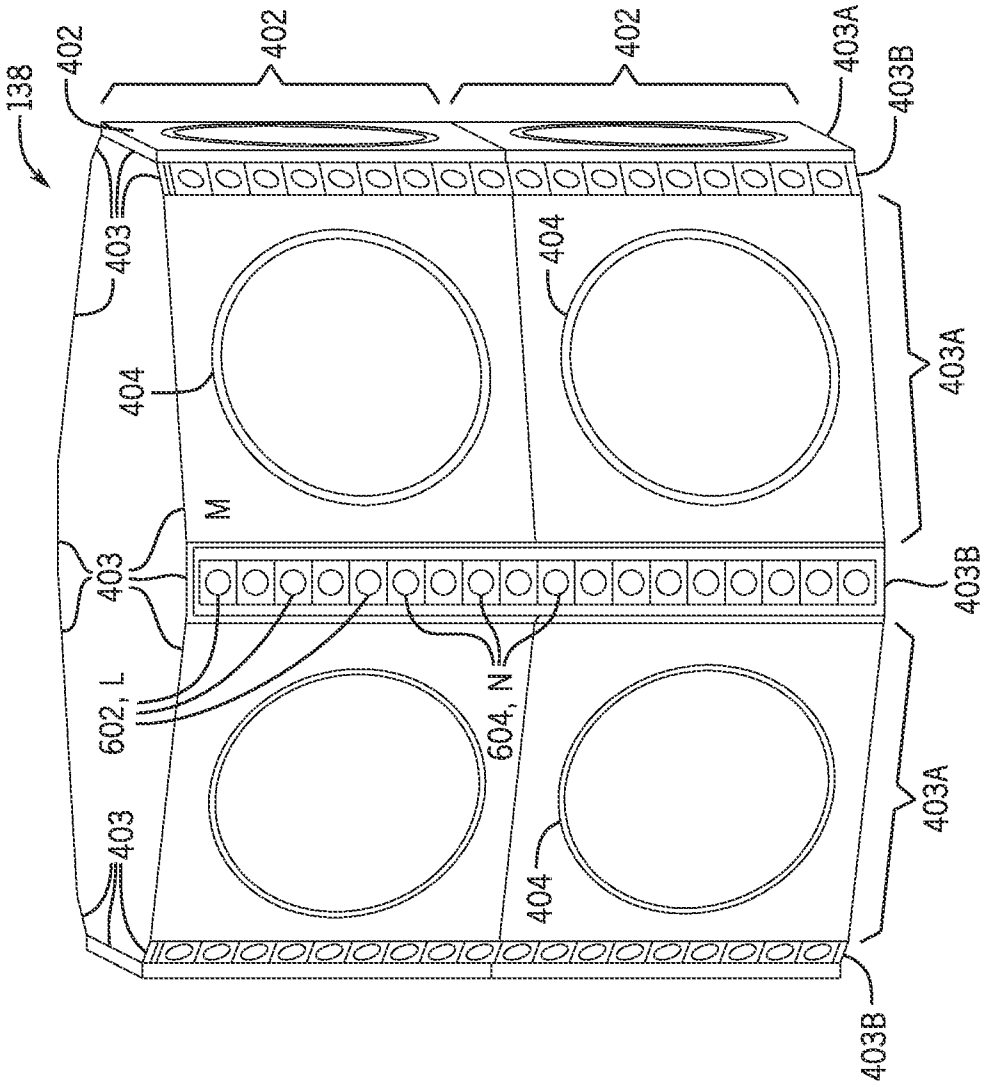


FIG. 6A

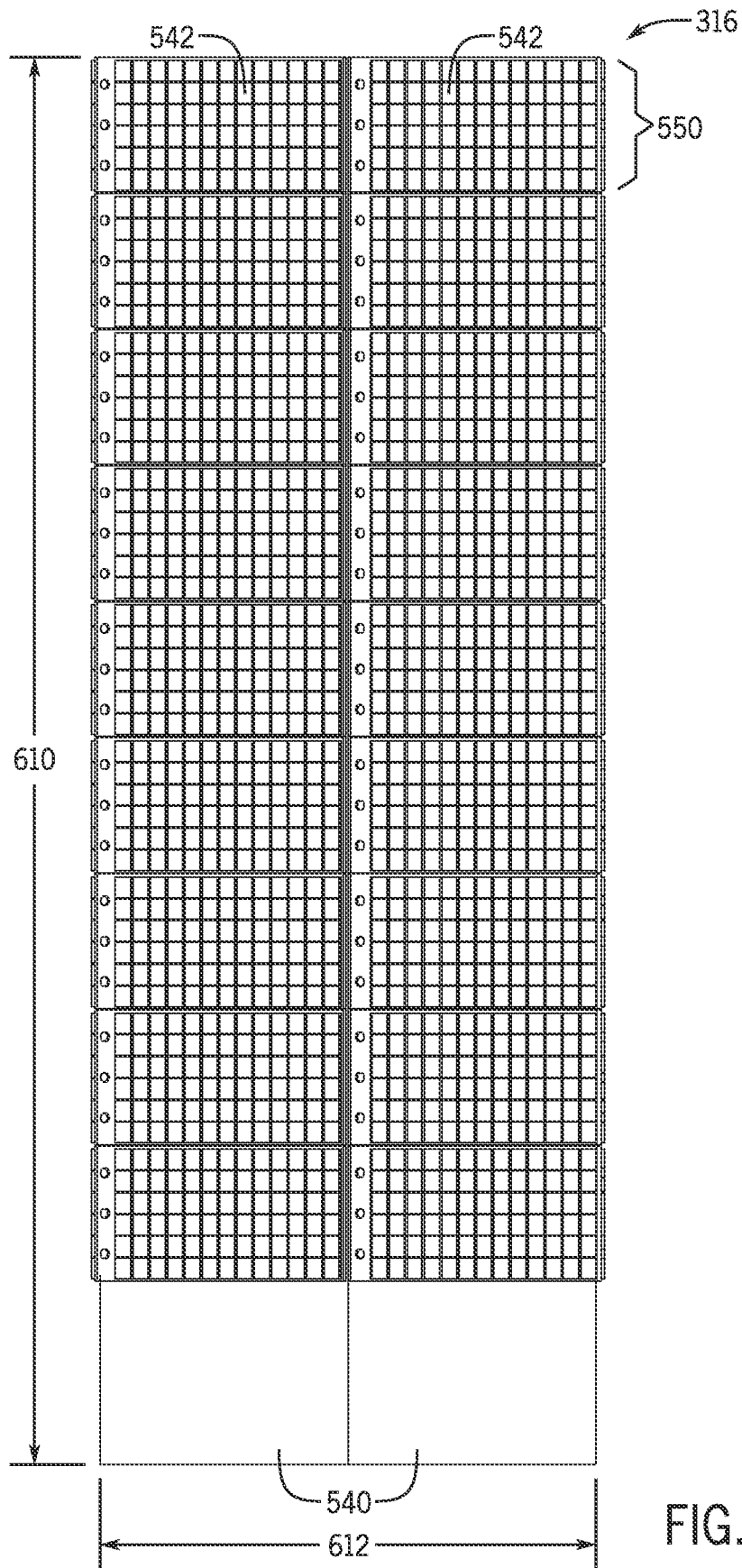


FIG. 6B

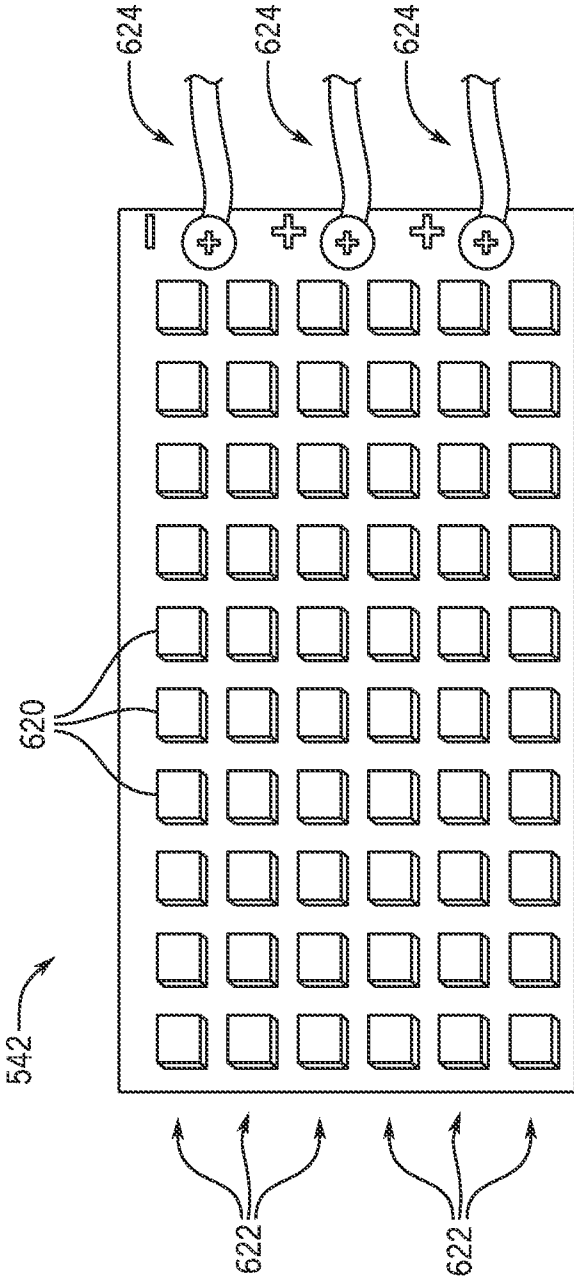


FIG. 6C



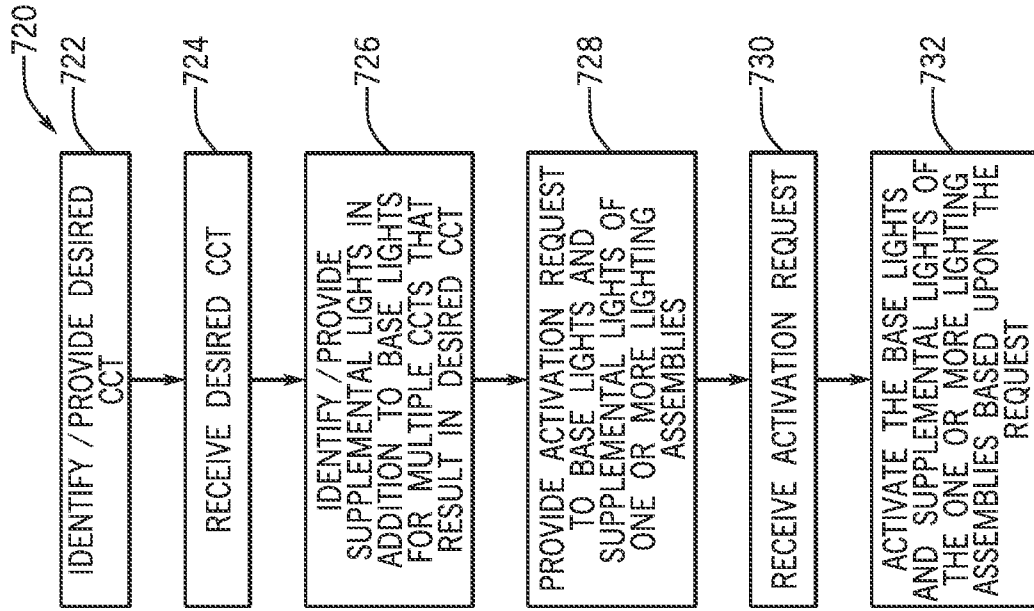


FIG. 7B

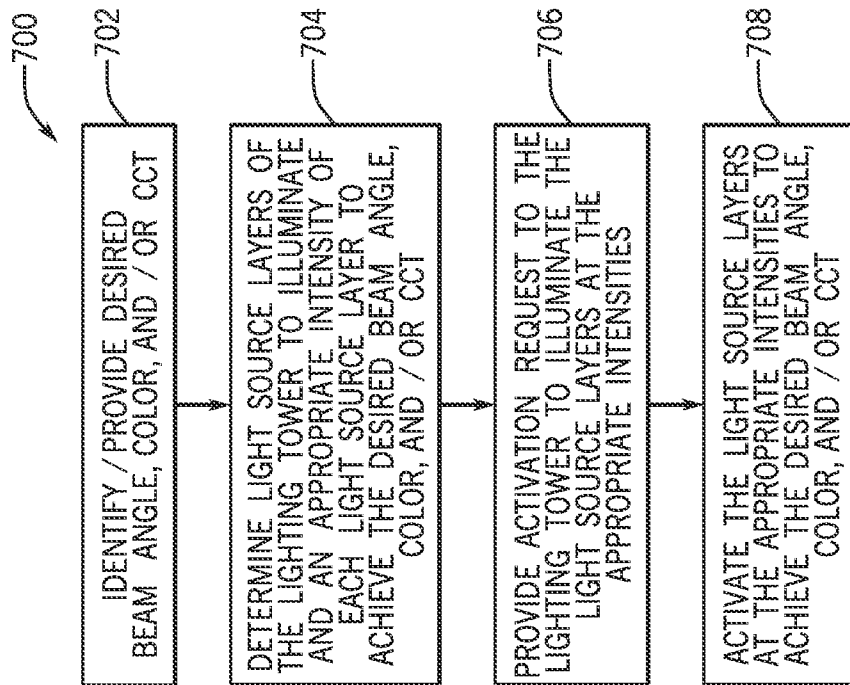


FIG. 7A

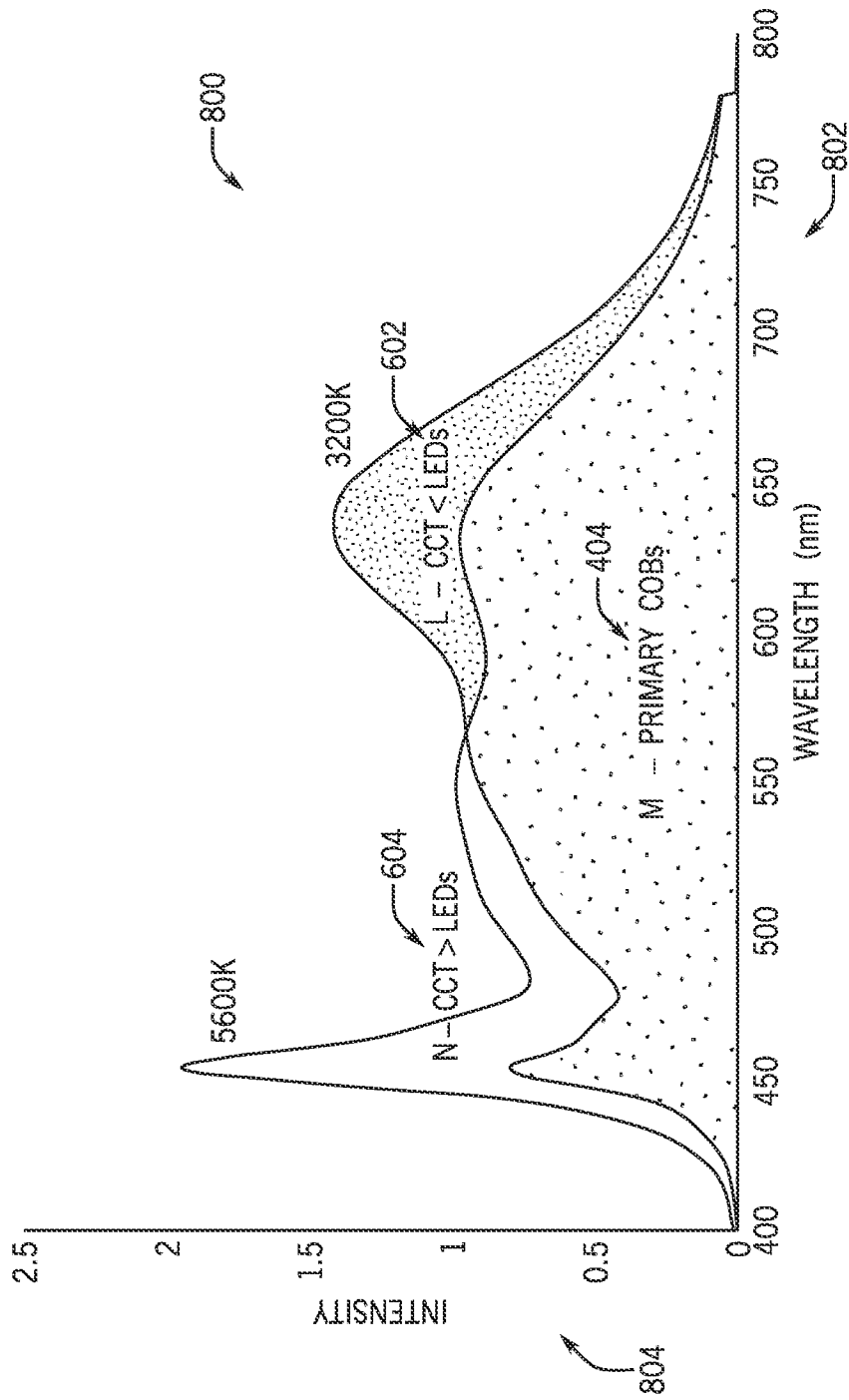


FIG. 8

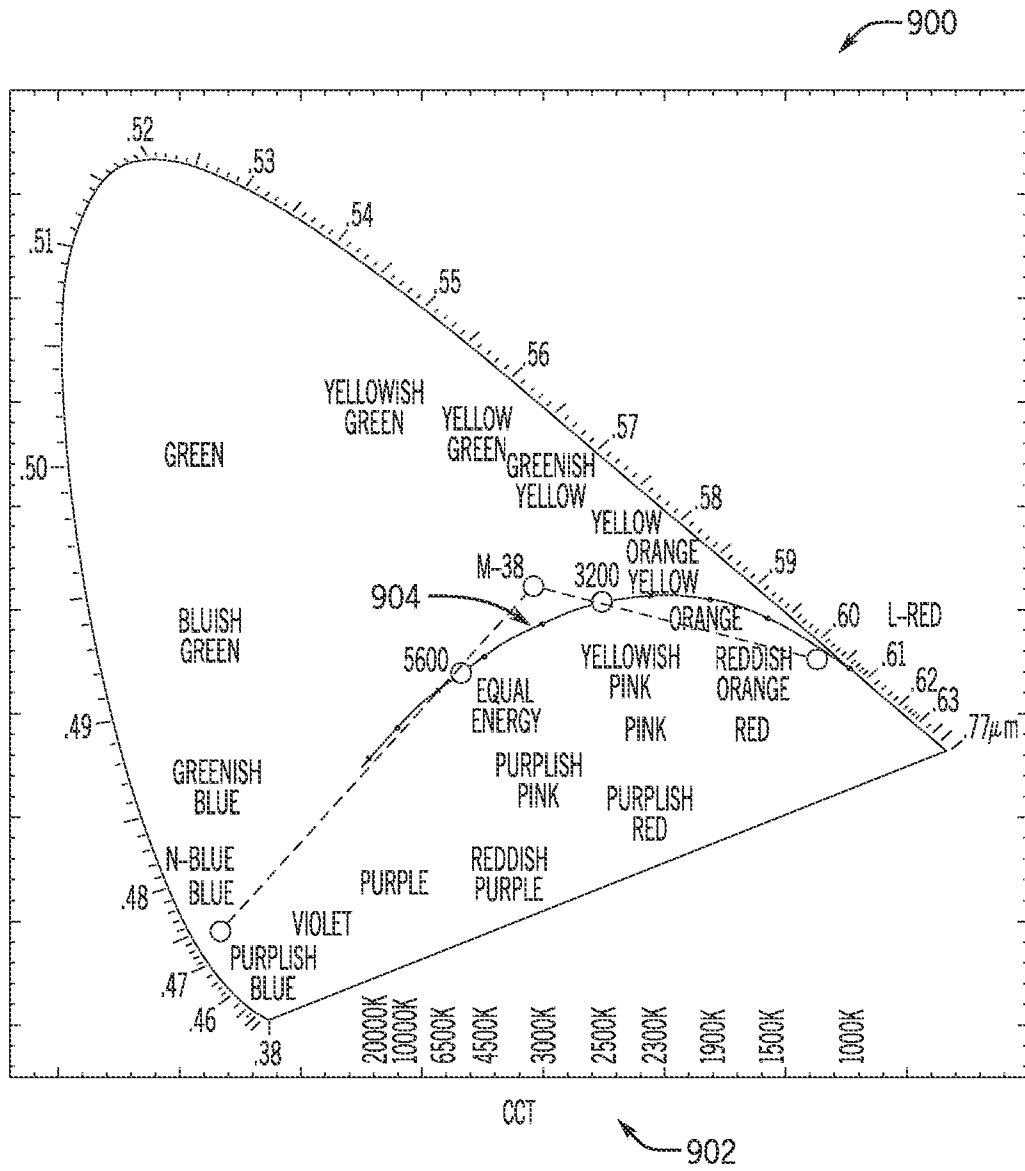


FIG. 9

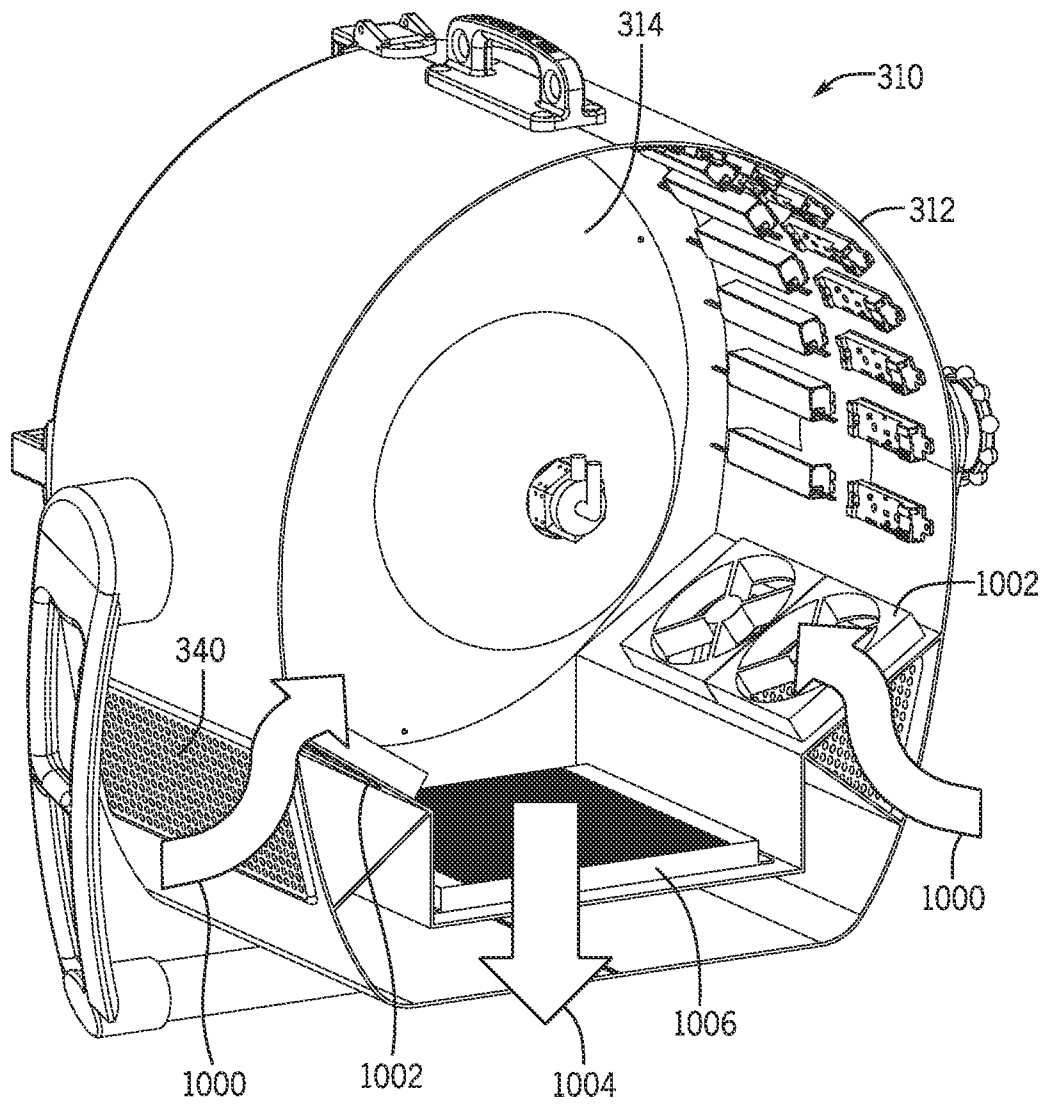


FIG. 10A

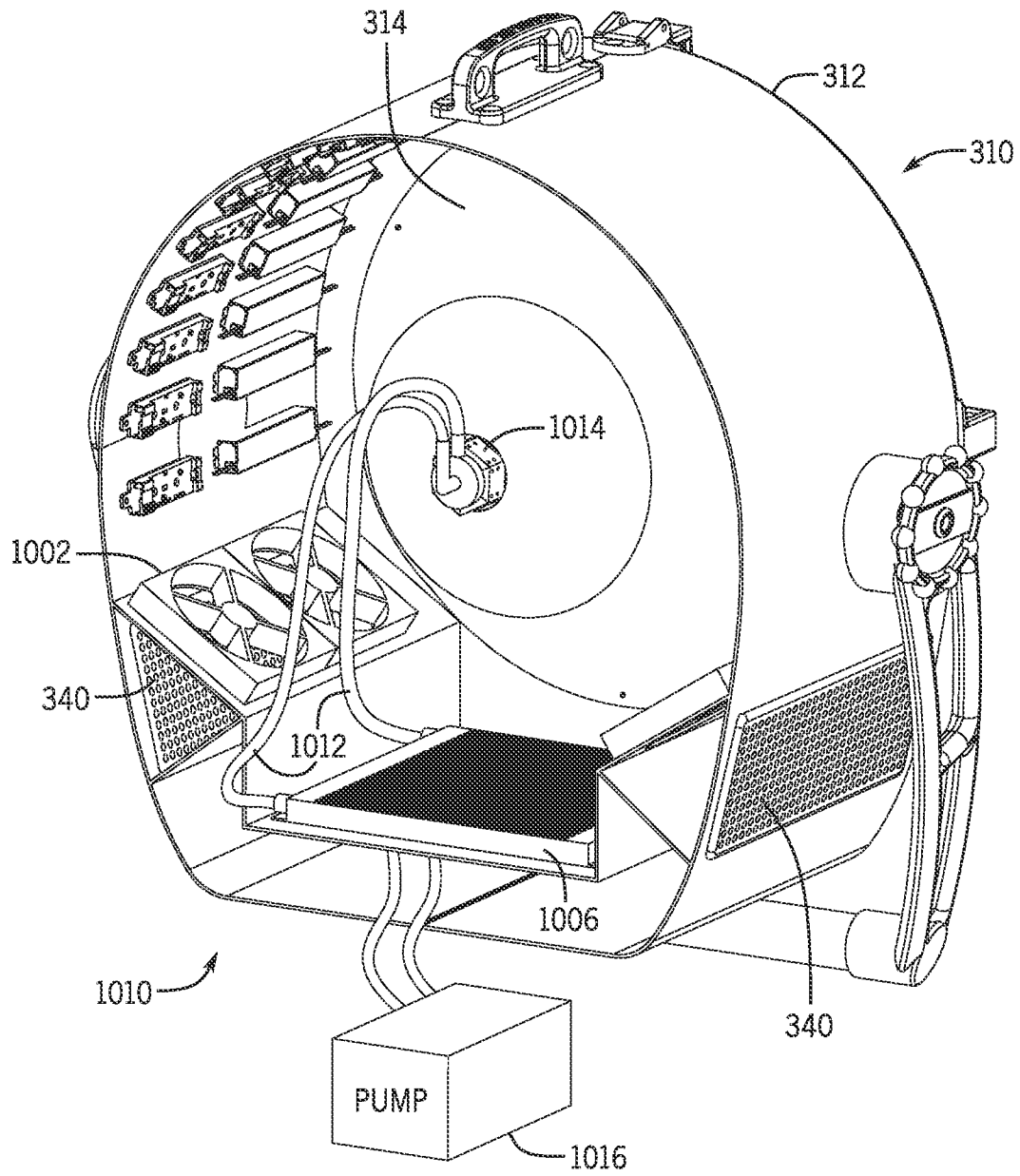
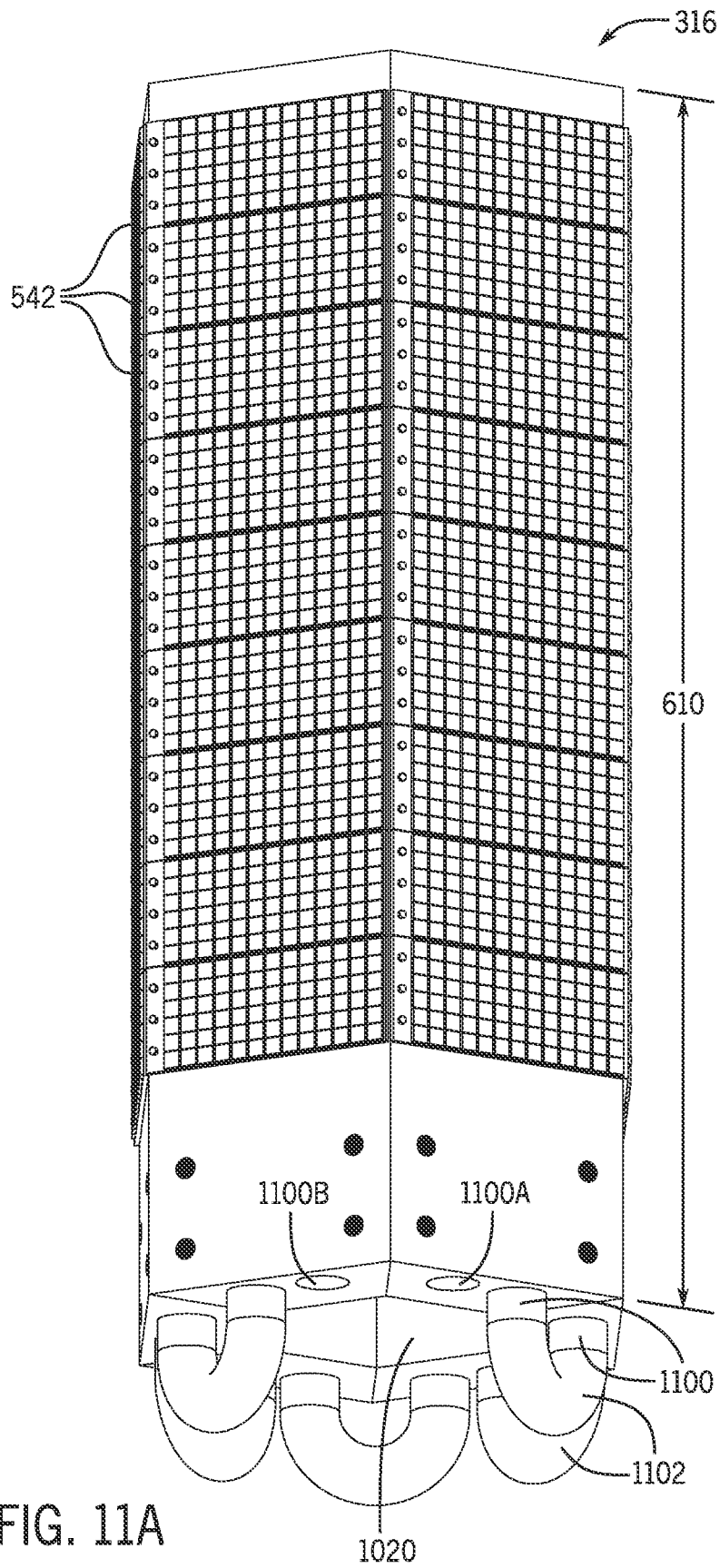


FIG. 10B



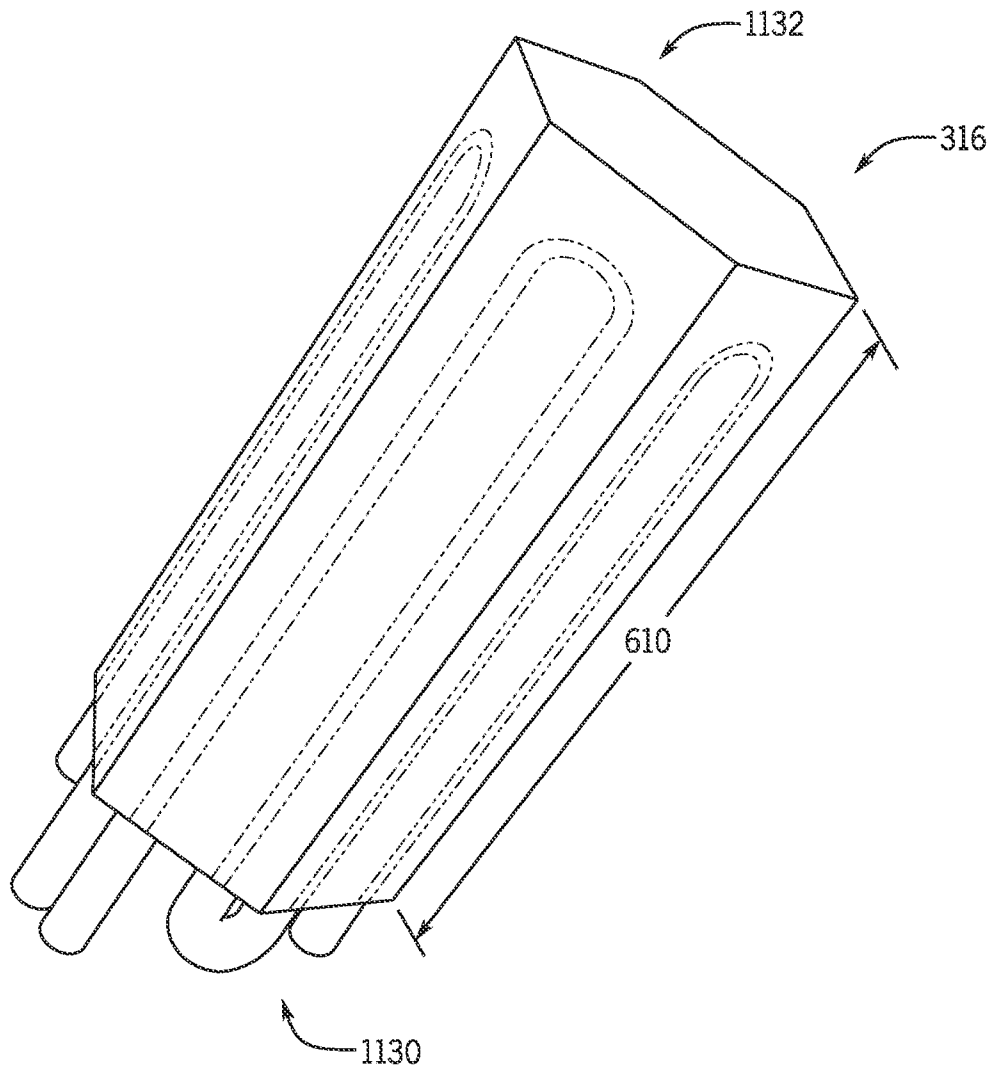


FIG. 11B

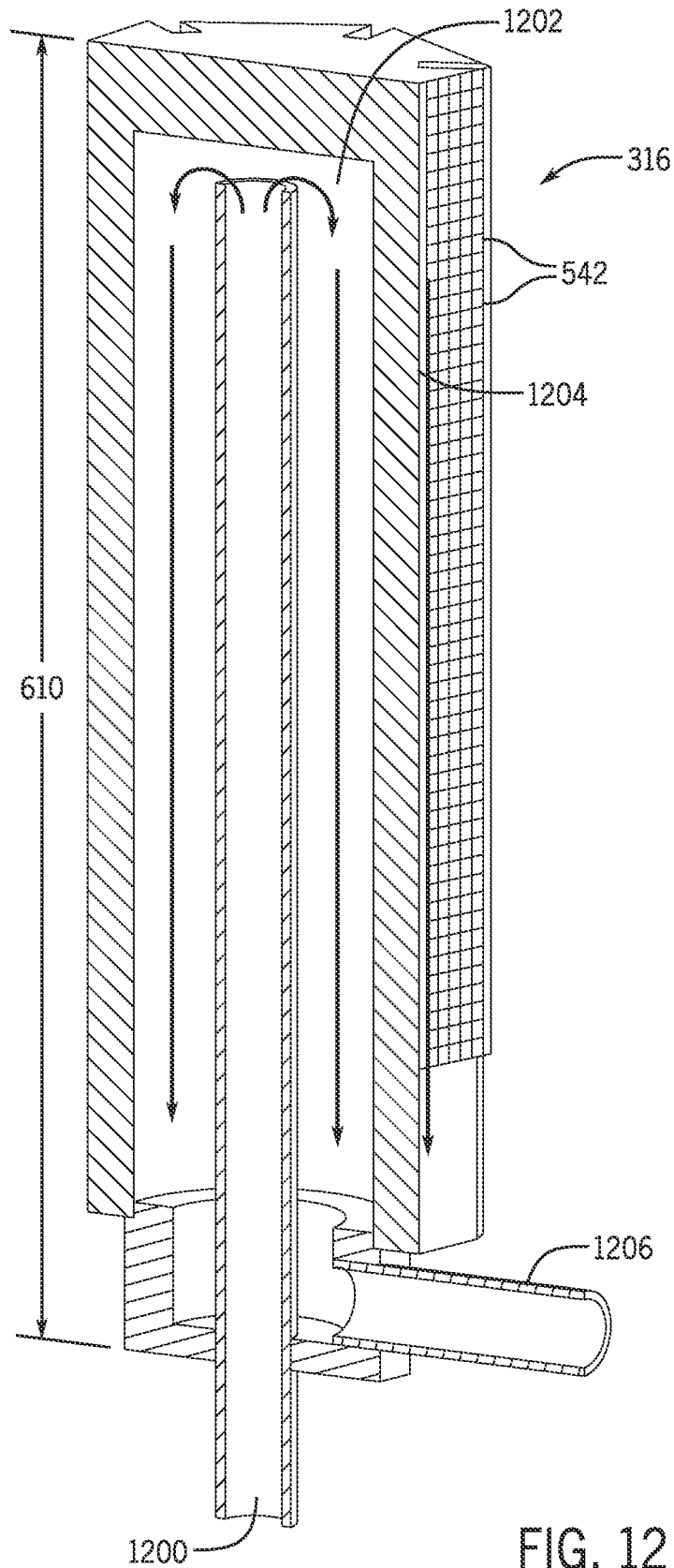


FIG. 12



## DIGITALLY ADJUSTABLE FOCUSED BEAM LIGHTING SYSTEM

### CROSS-REFERENCE TO RELATED APPLICATIONS

This application claims priority from and the benefit of U.S. patent application Ser. No. 16/381,984, entitled “DIGITALLY ADJUSTABLE FOCUSED BEAM LIGHTING SYSTEM”, filed Apr. 11, 2019, which claims priority from and the benefit of U.S. Provisional Application Ser. No. 62/657,476, entitled “DIGITALLY ADJUSTABLE FOCUSED BEAM LIGHTING SYSTEM”, filed Apr. 13, 2018, which are hereby incorporated by reference.

### BACKGROUND

The disclosure relates generally to a digitally adjustable focused beam lighting system.

This section is intended to introduce the reader to various aspects of art that may be related to various aspects of the present techniques, which are described and/or claimed below. This discussion is believed to be helpful in providing the reader with background information to facilitate a better understanding of the various aspects of the present disclosure. Accordingly, it should be understood that these statements are to be read in this light, and not as admissions of prior art.

In the motion picture and television industries, one of the most popular lighting instruments used is a focused beam light known as a “hard light.” Some lighting systems use a Fresnel glass optic combined with a tungsten bulb light source. The beam angle of “Fresnel” lights is typically user adjustable from 15 to 50 degrees. The adjustment is performed by turning a mechanical actuator that changes the focal distance between the lens and the Fresnel optic by moving either the light source or the lens. In many instances, this requires the operator to be able to physically adjust mechanical controls to change the beam angle. This can be quite problematic, as many installations are elevated in a lighting system above a stage, making access of the mechanical actuator problematic.

Another limitation of these traditional Fresnel lights is the light source. Traditional systems have included carbon arcs, tungsten light bulbs, and hydrargyrum medium-arc iodide (“HMI”) light bulbs. The carbon arcs are very temperamental, require significant maintenance, consume significant power, and generate large amounts of ozone. Tungsten bulbs have a low lifespan (e.g., a 500-hour life). When Fresnel lights near the end of their lifespan, the lights may exhibit a shift in color which could lead to unfavorable lighting. Further, 95% of the energy is wasted on heat, and they can only emit one color-correlated temperature (“CCT”) of light—3,200K. HMI bulbs were developed to provide a 5,600K light source which is commonly needed in motion pictures to simulate outdoor light. These lights bulbs have a similar 500-hour lifetime and are also not CCT adjustable. As a result, studios typically stock two completely different types of Fresnel lights, HMI and tungsten, in order to support the two commonly used color temperatures for motion picture and television. Like the original Fresnel lights, both HMI and tungsten lights utilize manual beam angle adjustment while providing increased power. For example, HMI lights come in sizes up to 18,000 Watts. This provides an extreme amount of light that allows film makers to simulate a hard, bright light source like the sun.

Light-emitting diode (“LED”) technology has been introduced that uses similar Fresnel optics. However, the LED replacements require more conservative operating temperatures to keep from damaging the LEDs. LED light sources are also much larger than their tungsten and HMI bulb counterparts. The results are LED Fresnel lights that are high cost but very low power ( $1/10$  or less) compared to traditional tungsten and HMI Fresnel lights.

Further, color adjustable LED Fresnel lights have also been introduced. These further reduce the power, because the LED light size needed is larger when it contains a variety of different color LEDs used for color blending. These LED Fresnel lights also use manual beam control adjustment similar to traditional systems.

Another focused beam technology is a HMI parabolic reflector. This light replaces the Fresnel optic lens with a parabolic reflector. Parabolic reflectors offer higher optical efficiency and lower weight than their glass lens, Fresnel counterparts. Parabolic reflector technology is used in lights in many industries. However, such lights with parabolic reflectors face the same limitations described above of a low bulb lifetime, static CCT, and manual adjustment-based change of beam angle.

### BRIEF DESCRIPTION

The lighting system disclosed in an embodiment herein provides a high-power lighting element (e.g., an LED light source) with beam control capability of 15 to 50 degrees that may be controlled digitally, allowing the beam angle to be remotely adjusted without local manual adjustment of the lighting element itself. In further embodiments, unique configurations of the LED light sources and color spectrums also offer higher power in a smaller space. Additionally, the lighting system provides a method of controlling CCT more efficiently and with a smaller light source than other LED light sources.

A summary of certain embodiments disclosed herein is set forth below. It should be understood that these aspects are presented merely to provide the reader with a brief summary of these certain embodiments and that these aspects are not intended to limit the scope of this disclosure. Indeed, this disclosure may encompass a variety of aspects that may not be set forth below.

In an embodiment, a lighting assembly includes a lighting tower. The lighting tower includes a plurality of layers of lighting elements, where each layer of lighting elements is configured to provide a different angle of emitted light onto a parabolic reflector with respect to light emitted from another layer of lighting elements onto the parabolic reflector when activated.

In an embodiment, a hardware circuitry-implemented method for adjusting a beam angle of a lighting assembly includes identifying a desired beam angle based upon one or more inputs from a user interface, identifying one or more layers of lighting elements of a lighting tower that, when activated within a parabolic reflector, generate the desired beam angle, and providing a first activation request to the one or more layers of the lighting elements. The first activation request causes activation of the one or more layers of the lighting elements, and the activation of the one or more layers of the lighting elements generates the desired beam angle.

In an embodiment, a hardware circuitry-implemented method for providing an adjustable color-correlated temperature (“CCT”) includes receiving an indication of a desired CCT from a user interface, determining one or more

adjustments to one or more supplementary light sources, that would result in the desired CCT when light from the one or more supplementary light sources is blended with a base light from a base light source, and performing the one or more adjustments to the one or more supplementary light sources to generate the desired CCT.

In an embodiment, a lighting assembly includes a lighting tower configured to emit light and a cooling system configured to cool the lighting tower. The cooling system includes one or more heat pipes extending into the lighting tower, a condenser configured to cool a coolant passing through the one or more heat pipes, and a pump configured to pump the coolant from the condenser, through the one or more heat pipes, and back to the condenser. The coolant is configured to absorb heat generated by the lighting tower due to light emission as the coolant passes through the one or more heat pipes.

### DRAWINGS

These and other features, aspects, and advantages of the present disclosure will become better understood when the following detailed description is read with reference to the accompanying drawings in which like characters represent like parts throughout the drawings, wherein:

FIG. 1 is an illustration of an exemplary digitally adjustable lighting system, in accordance with one or more current embodiments;

FIG. 2 is a flow diagram depicting a process for adjusting the lighting system of FIG. 1, in accordance with one or more current embodiments;

FIG. 3A is a perspective front view of a lighting assembly of the lighting system of FIG. 1, in accordance with one or more current embodiments;

FIG. 3B is a perspective front view of a lighting assembly of the lighting system of FIG. 1, in accordance with one or more current embodiments;

FIG. 4 is a perspective view of a lighting tower of the lighting assembly of FIG. 3A, in accordance with one or more current embodiments;

FIGS. 5A-5C are diagrams of lighting angles that may be generated by the lighting system of FIG. 1, in accordance with one or more current embodiments;

FIG. 5D is a perspective view of a reflector of the lighting assembly of FIG. 3B, in accordance with one or more current embodiments;

FIG. 5E is a cross-sectional view of the reflector of FIG. 5D, in accordance with one or more current embodiments;

FIG. 5F is a front view of the lighting assembly of FIG. 3B, in accordance with one or more current embodiments;

FIGS. 5G-5I are diagrams of lighting angles and lighting patterns that may be generated by the lighting system of FIG. 1, in accordance with one or more current embodiments;

FIG. 6A is an illustration of a lighting tower of the lighting system of FIG. 1 with CCT tuning capabilities, in accordance with one or more current embodiments;

FIG. 6B is an illustration of a lighting tower of the lighting system of FIG. 1 with CCT tuning capabilities, in accordance with one or more current embodiments;

FIG. 6C is an illustration of an LED array of the lighting tower of FIG. 6B, in accordance with one or more current embodiments;

FIG. 7A is a flow diagram for controlling a beam angle, color, and CCT of the lighting tower of the lighting system of FIG. 1, in accordance with one or more current embodiments;

FIG. 7B is a flow diagram for controlling a CCT of the lighting tower of the lighting system of FIG. 1, in accordance with one or more current embodiments;

FIG. 8 is a graphical illustration of light spectrum that may be generated by the lighting system of FIG. 1, in accordance with one or more current embodiments;

FIG. 9 is a diagram of colors and CCTs that may be generated by the lighting system of FIG. 1, in accordance with one or more current embodiments;

FIGS. 10A and 10B are perspective rear views of the lighting assembly of FIG. 3B, in accordance with one or more current embodiments;

FIGS. 11A and 11B are perspective views of a lighting tower of the lighting system of FIG. 1, in accordance with one or more current embodiments; and

FIG. 12 is a cross-sectional view of a lighting tower of the lighting system of FIG. 1, in accordance with one or more current embodiments.

### DETAILED DESCRIPTION

One or more specific embodiments of the present disclosure will be described below. These described embodiments are only examples of the presently disclosed techniques.

Additionally, in an effort to provide a concise description of these embodiments, all features of an actual implementation may not be described in the specification. It should be appreciated that in the development of any such actual implementation, as in any engineering or design project, numerous implementation-specific decisions must be made to achieve the developers' specific goals, such as compliance with system-related and business-related constraints, which may vary from one implementation to another. Moreover, it should be appreciated that such a development effort might be complex and time consuming, but may nevertheless be a routine undertaking of design, fabrication, and manufacture for those of ordinary skill having the benefit of this disclosure.

When introducing elements of various embodiments of the present disclosure, the articles "a," "an," and "the" are intended to mean that there are one or more of the elements. The terms "comprising," "including," and "having" are intended to be inclusive and mean that there may be additional elements other than the listed elements. Additionally, it should be understood that references to "one embodiment" or "an embodiment" of the present disclosure are not intended to be interpreted as excluding the existence of additional embodiments that also incorporate the recited features.

Turning now to the drawings, FIG. 1 illustrates a lighting system 100 that may be suitable to provide lighting for applications such as television and theater sets, film sets, tradeshows, and any one of the range of permanent, semi-permanent, and temporary settings. In the illustrated embodiment, the lighting system 100 includes a digital control system 120 and one or more lighting assemblies 130. As illustrated, the lighting system 100 includes two lighting assemblies 130 supported by lighting stands 140. However, the lighting assemblies 130 may also be suspended from a lighting rig or supported in other manners.

The digital control system 120 includes a controller 122 configured to receive inputs from a user and determine outputs to be provided to the lighting assemblies 130. The controller 122 includes a user interface 127, a processor 128, and a memory 129. Each lighting assembly 130 may include a chassis 132, a parabolic aluminized reflector ("PAR") 134, a lighting assembly controller 136, and a lighting tower 138,

among other components. In some embodiments, a lighting assembly 130 may be controlled directly from the controller 122 such that the lighting assembly does not include an independent controller.

In some embodiments, the memory 129 may include one or more tangible, non-transitory, computer-readable media that store instructions executable by the processor 128 and/or data to be processed by the processor 128. For example, the memory 129 may include random access memory (RAM), read only memory (ROM), rewritable non-volatile memory such as flash memory, hard drives, optical discs, and/or the like. Additionally, the processor 128 may include one or more general purpose microprocessors, one or more application specific processors (ASICs), one or more field programmable logic arrays (FPGAs), or any combination thereof.

As described in greater detail below, the lighting system 100 is configured to receive inputs at the user interface 127 of the controller 122 indicative of a desired beam angle, a desired color, and/or a desired CCT for individual or multiple lighting assemblies 130. For example, a user may provide inputs indicative of a desired beam angle, a desired color, and/or a desired CCT to the user interface 127. A processor 128 of the controller 122 may then determine specific lighting adjustments, such as a beam angle adjustment or power values to be supplied to specific lights (e.g., lighting elements) of the lighting towers 138, based on information stored in a memory 129. In some embodiments, the lighting assembly controller 136 may have a processor and memory and may be configured to determine the specific lighting adjustments. The lighting assembly controller 136 may also be configured to control specific lights of the lighting tower 138 based on signals received from the controller 122. As such, the controller 122 of the digital control system 120 may be configured to send signals, via a wired connection 124 and/or via a wireless connection 126, to one or more of the lighting assemblies 130 to achieve the desired beam angle, the desired color, and the desired CCT. Based on the received signals from the controller 122, the lighting assembly controller 136 may output signals to activate individual lights of the lighting tower 138.

The light emitted from specific lights of the lighting tower 138 is reflected off of the PAR 134 and is directed outwardly from the lighting assembly 130. Based upon each specific light's position on the lighting tower 138, the reflected light is directed in a particular direction from the lighting assembly 130. The cumulative reflected light emitted from the lighting assembly 130 converges to generate the desired beam angle.

The user interface 127 may include a button, a keyboard, a mouse, a trackpad, color-tuning controls, zonal lighting controls, and/or the like to enable user interaction with the controller 122. Additionally, the user interface 127 may include an electronic display (not shown) to facilitate providing a visual representation of information, for example, via a graphical user interface ("GUI"), an application interface, text, a still image, and/or video content. The user interface 127 may be a lighting control interface (e.g., digital multiplex ("DMX"), ethernet, Artnet, sACN, Kinet1). In some embodiments, the user interface 127 may be a separate component apart from the controller 122. A user may interact with the user interface 127 to input a particular beam angle, color, and/or CCT of the lighting assemblies 130. Further, if separate beam angles are input to the user interface 127 for individual lighting assemblies 130, the digital control system 120 may be configured to communicate with each individual lighting assembly 130 via unique

protocol-specific addresses. For example, a first lighting assembly 130 may have a DMX address of "1," and a second lighting assembly 130 may have a DMX address of "2."

FIG. 2 illustrates a flow diagram 200 depicting the activity of the lighting system 100 of FIG. 1. Each block of flow diagram 200 (e.g., blocks 202, 204, 206, 208, 210, and 212) may be performed by the digital control system 120 and/or the lighting assembly controller 136. As generally described above, the digital control system 120 may receive an input indicative of a desired beam angle. At block 202, the digital control system 120 may identify and provide the desired beam angle at the user interface 127. For example, based on the specific inputs to the user interface 127, the digital control system 120 may identify the desired beam angle and provide a signal indicative of the desired beam angle. Alternatively, as described below, prior to outputting a signal indicative of the desired beam angle, the digital control system 120 may be configured to identify one or more lights of a lighting assembly 130 to be activated to achieve the desired beam angle.

At block 204, the controller 122 may receive the desired beam angle. For example, a user may provide various inputs to the user interface 127 indicative of a desired beam angle. Those inputs may then be sent from the user interface 127 to the processor 128. In embodiments where block 204 is performed by the lighting assembly controller 136, the lighting assembly controller 136 may receive a signal indicative of the desired beam angle.

At block 206, the controller 122 may identify one or more lights at a particular position on the lighting tower 138 of the lighting assembly 130 based at least upon the desired beam angle. As described in detail below, the lighting tower 138 may include multiple lights disposed along a length of the lighting tower 138. Activation of certain lights may correspond to a certain beam angle. Therefore, based on the desired beam angle, the controller 122 may determine which lights of the lighting tower 138 to illuminate to achieve the desired beam angle. In some embodiments, the controller 136 may be configured to identify one or more lights at a particular position on the lighting tower 138 of the lighting assembly 130 based at least upon the desired beam angle.

At block 208, the controller 122 may provide an activation request to the one or more lighting assemblies 130. For example, the controller 122 may output a signal to a lighting assembly 130 via a wired connection 124 indicative of the specific lights of the lighting tower 138 to activate. In other embodiments, the controller 122 may output a signal to a lighting assembly 130 via a wireless connection 126 indicative of the specific lights of the lighting tower 138 to activate. Further, the lighting system 100 may be configured such that the controller 122 may communicate with the lighting assemblies 130 concurrently via both the wired connection 124 and the wireless connection 126. In some embodiments, the controller 136 may be configured to provide an activation request to the one or more lighting assemblies 130.

At block 210, the lighting assembly controller 136 may receive the activation request. As described above, the activation request may identify individual lights of the lighting tower 138 to activate to achieve the desired beam angle. A signal indicative of the activation request may be received via the wired connection 124, via the wireless connection 126, or via both.

At block 212, the lighting assembly controller 136 is configured to activate the one or more lighting assemblies 130 based upon the activation request. As described above, the activation request may identify specific lights of the

lighting tower **138** to activate. The lighting assembly controller **136** may output signals to the lighting tower **138** to activate the specific lights. With this activation of the lights of the lighting tower **138**, the desired beam angle may be generated.

FIG. 3A is a perspective front view of the lighting assembly **130** of the lighting system **100** of FIG. 1. As illustrated, the lighting assembly **130** includes the chassis **132**, the PAR **134**, the lighting tower **138**, and an optional stand **302** and rotation handle **304**. Although not illustrated, the lighting assembly **130** may further include the lighting assembly controller **136** configured to control various operations of the lighting assembly **130**. In certain embodiments, the lighting assembly **130** may include support structures other than or in addition to the stand **302** and/or the rotation handle **304**. In such embodiments, the lighting assembly **130** may be coupled to or suspended from a lighting rig, coupled to another type of stand, or coupled to other components configured to support the lighting assembly **130**.

The lighting tower **138** is fixed relative to the chassis **132** and the PAR **134**. In traditional lighting systems using a parabolic optic, to adjust a beam angle, a bulb disposed in the parabolic optic is moved 2-3 inches relative to the parabolic optic using a mechanical actuator. For the lighting assembly **130**, instead of moving the light source, the activated LEDs (e.g., the activated lighting elements of the illustrated embodiment) change, altering the location of the source of the light digitally by simply selecting different LEDs of the lighting tower **138** to illuminate. By lighting more LEDs in different locations, the lighting assembly **130** has more flexibility to change the beam shape. This can be performed with chip-on-board configurations (“COBs”), discrete LEDs, or a combination of the two. As described in reference to FIG. 4, which illustrates one lighting tower embodiment, the lighting tower **138** includes multiple LED light source layers extending in a direction indicated by reference numeral **139**. The LED light source layers are configured to activate and illuminate independently of one another. Accordingly, to adjust the beam angle to another desired beam angle, the location of activated LEDs may be adjusted by non-mechanical means. For example, to achieve a desired beam angle, only a portion of the LED light source layers may be illuminated. Additionally, all of the LED light source layers may be illuminated. By including LEDs in the lighting tower **138**, the system may achieve longer working lifespans (~50,000 hours) compared to traditional lighting systems. While LEDs are described in the embodiments of the present disclosure, it is appreciated that the present disclosure is not restricted to the use of LEDs as lighting elements. Other light sources, for example laser diodes, may be used and a significant proportion of the benefits of the present disclosure may be achieved.

The light emitted by the lighting tower **138** is projected radially from the lighting tower **138** toward interior rings **135** of the PAR **134**. In some instances, the lighting tower **138** may be configured to provide dynamically changeable CCTs and/or colors. The PAR **134** includes the interior rings **135** to blend light emitted by the LEDs (various CCTs and colors). For example, some LED light sources may be configured to emit light at a first CCT and/or color, and other LED light sources may be configured to emit light at a second CCT and/or color. Further, the CCT and the color may each be independently controlled at the light sources. Light directed toward the PAR **134** from the lighting tower **138** is then reflected outward by the PAR **134** in a direction opposite the chassis **132**. As illustrated, the interior rings **135** are concentric about the lighting tower **138**. The interior

rings **135** of the PAR **134** closer to the chassis **132** are smaller in diameter than interior rings further from the chassis **132**. As such, an interior surface of the PAR **134** forms a parabola extending from an interior ring **135** having the smallest diameter (e.g., the interior ring **135** closest to the chassis **132**) to an interior ring having the largest diameter (e.g., the interior ring **135** farthest from the chassis **132**). The parabolic shape of the PAR **134** allows light reflected by the PAR **134** to focus at a focal point in front of the lighting assembly **130**. The specific focal point may correspond to a specific beam angle. Thus, a desired beam angle may correspond to a desired focal point.

The lighting assembly **130** is also configured to conduct heat more efficiently than traditional lighting systems. Because the chassis **132**, the PAR **134**, and the lighting tower **138** are stationary relative to one another, heat generated by the lighting tower **138** may be conducted to the chassis **132** and the PAR **134**. As described above, in traditional lighting systems, a bulb disposed at the center of a parabolic optic is configured to move relative to the parabolic optic and/or relative to the base. This movement means the bulb is not rigidly coupled to the parabolic optic and/or to the base, so heat transfer between the bulb and the rest of a parabolic optic may be inefficient.

Because the chassis **132** and the PAR **134** are fixed relative to the lighting tower **138**, the chassis **132** and/or the PAR **134** may be configured to act as a heat sink for the lighting assembly **130**. For example, heat transfer and heat dissipation from the lighting tower **138** may be enhanced based on the material and structure of the chassis **132** and the PAR **134**. For example, the chassis **132** and the PAR **134** may be constructed using aluminum, which is one of the highest efficiency reflectors (up to 97%) as well as one of the most thermally conductive metals. In this manner, the components of the lighting assembly **130** create a thermal circuit that integrates the surface area of the chassis **132** and the PAR **134** for use as a large surface area heat sink for the lighting tower **138**.

In some embodiments, noise from fans may be undesirable in motion picture and television equipment. This multi-purpose heat sink/optic/housing enables reduced weight and can eliminate the need for such fans, resulting in reduced noise and reduced manufacturing costs.

In some embodiments, additional heat distribution may be desired. Accordingly, in the embodiment of FIG. 3A, fins **133** are added to the chassis **132** and may be added to the exterior of the PAR **134** to increase the surface area of the heat sink capability. Heat may be dissipated through the surface area via clean cool air reacting with the heat distributed to the fins.

Thermal cooling may further be enhanced with the inclusion of heat pipes in (or adjacent to) the lighting tower **138** and/or the chassis **132**. The heat pipes may be embedded in a core of the lighting tower **138** and may be used to move heat efficiently from the lighting tower **138** to the chassis **132** and/or the PAR **134**. To facilitate heat transfer, the heat pipes may be made of copper. The heat pipes may make a thermal circuit that connects the lighting tower **138** thermally to the chassis **132**. Because the lighting tower **138** and the chassis **132** are fixed relative to one another, the heat pipes may extend through the lighting tower **138** and into the chassis **132**. In the chassis **132**, the heat pipes may extend radially outward from the lighting tower **138** to form “L” shapes. For example, the lighting assembly **130** may include four individual heat pipes extending through the lighting tower **138** and into the chassis **132**. Each heat pipe may extend radially outward.

In traditional lighting systems, because a bulb is moved relative to another housing portion, heat pipes or similar forms of heat transfer may be impractical. With the lighting assembly 130, heat transfer may be enhanced with the inclusion of heat pipes. The heat pipes may include distilled water in a vacuum. The distilled water may experience phase changes within the heat pipes to facilitate heat transfer. For example, water in a portion of a heat pipe in the lighting tower 138 may be a vapor. As the vapor travels down the heat pipe toward the chassis 132, the temperature may decrease and the vapor may change to liquid in the chassis 132. Example embodiments of lighting towers having heat pipes are provided below in reference to FIGS. 11A, 11B, and 12.

The sizes of both the lighting tower 138 and the PAR 134 may be proportional to one another and may vary. The lighting tower 138 may be 15 mm in length, as generally indicated by arrow 139. Etendue, a property of light that characterizes the distribution of light for an area and an angle, implies that a light source and a reflector may be proportional to one another to generate light for a specific area and a specific angle. For example, in an exemplary embodiment, a light source (e.g., base light source 404, first supplementary light source 602, and second supplementary light source 604 described below and as shown in FIG. 6A) may also be proportional to the PAR 134. A light source that is 50 mm in diameter may correspond to a reflector (e.g., the PAR 134) 435 mm in diameter. A light source 70 mm in diameter may correspond to a reflector 610 mm in diameter. Additionally, a light source 100 mm in diameter may correspond to a reflector 870 mm in diameter.

FIG. 3B is a perspective front view of a lighting assembly 310 that may be employed within the lighting system 100 of FIG. 1. As illustrated, the lighting assembly 310 includes a chassis 312, a PAR 314, a lighting tower 316, and an optional stand 318 and rotation handle 320. Although not illustrated, the lighting assembly 310 may further include the lighting assembly controller 136 configured to control various operations of the lighting assembly 310. In certain embodiments, the lighting assembly 310 may include support structures other than or in addition to the stand 318 and/or the rotation handle 320. In such embodiments, the lighting assembly 310 may be coupled to or suspended from a lighting rig, may be coupled to another type of stand, may rest on the ground or another surface, or may be coupled to other components configured to support the lighting assembly 310.

As illustrated, the lighting tower 316 is positioned generally at a center of the PAR 314. The lighting tower 316 is coupled to the chassis 312 at a first end 322 via supports 324, which extend from the first end 322 to the chassis 312. Additionally, a second end 326 of the lighting tower 316 (e.g., a base of the lighting tower 316) is coupled to the PAR 314. As such, the PAR 314, the supports 324, and other portions of the lighting assembly 310 may structurally support the lighting tower 316 within the lighting assembly 310.

As described in greater detail below, the lighting tower 316 includes layers of chip scale packaging arrays ("CSP" arrays) having multiple LEDs. The CSP arrays are configured to activate and illuminate independently of one another. Accordingly, to adjust the beam angle to another desired beam angle, the activated CSP arrays may be adjusted by non-mechanical means. For example, to achieve a desired beam angle, only a portion of the CSP arrays, at one or more predetermined locations, may be illuminated. Additionally, all of the CSP arrays may be illuminated. By including the

LEDs of the CSP arrays in the lighting tower 316, the system may achieve longer working lifespans compared to traditional lighting systems. As explained previously, the lighting elements need not be restricted to the LEDs in this embodiment, and other forms of lighting elements may be used.

The light emitted by the lighting tower 316 is projected radially from the lighting tower 316 toward the PAR 314. In some instances, the lighting tower 316 may be configured to provide dynamically changeable CCTs and/or colors. The PAR 314 may blend light emitted by the LEDs (various CCTs and colors). For example, some LED light sources may be configured to emit light at a first CCT and/or color, and other LED light sources may be configured to emit light at a second CCT and/or color. Further, the CCT and the color may each be independently controlled at the light sources. Light directed toward the PAR 314 from the lighting tower 316 is then reflected outward by the PAR 314 in a direction opposite the chassis 312, as indicated by arrow 330.

The lighting assembly 310 may also include safety glass 332 coupled to the chassis 312 and positioned outwardly from the lighting tower 316. The safety glass 332 may substantially prevent a user from touching the PAR 314 and/or the lighting tower 316, which may become hot during operation. Additionally or alternatively, the safety glass 332 may substantially prevent debris (e.g., water, dust, insects, etc.) from entering the lighting assembly 310 to provide a clean operating environment for the lighting tower 316. As described in further detail below, a positioning of vents 340 of the lighting tower 316 may also protect from water intrusion. In certain embodiments, the lighting tower 316 may have an Ingress Protection Rating of IP33. For example, the lighting tower 316 may be protected from tools and wires greater than 2.5 millimeters ("mm"), as well as water spray at an angle up to 60 degrees from vertical, from entering an interior of the lighting tower 316.

The lighting assembly 310 is also configured to efficiently conduct heat. Because the chassis 312, the PAR 314, and the lighting tower 316 are stationary relative to one another, heat generated by the lighting tower 316 may be conducted to the chassis 312 and the PAR 314. As such, the chassis 312 and/or the PAR 314 may be configured to act as a heat sink for the lighting assembly 310. For example, heat transfer and heat dissipation from the lighting tower 316 may be enhanced based on the material and structure of the chassis 312 and the PAR 314. The chassis 312 and the PAR 314 may be constructed using aluminum, which is one of the highest efficiency reflectors (up to 97%) as well as one of the most thermally conductive metals. In this manner, the components of the lighting assembly 310 create a thermal circuit that integrates the surface area of the chassis 312 and the PAR 314 for use as a large surface area heat sink for the lighting tower 316. The heat exchange of the lighting assembly 310 may further be enhanced via active cooling, as described in greater detail in reference to FIGS. 10A and 10B. For example, the vents 340 may enable air flow into the lighting assembly 310 to actively cool the lighting assembly 310.

FIG. 4 is a perspective view of the lighting tower 138 of the lighting assembly 130 of FIG. 3A. The lighting tower 138 may include light source layers 402 with base light sources (e.g., lighting elements) 404 disposed on each side of the tower at the respective light source layers 402. The light source (e.g., lighting element) layers generally extend in the direction 139, as previously illustrated in FIG. 3A. In the illustrated embodiment, the lighting tower 138 includes 6 light source layers 402 (or levels of light sources). However, in some embodiments, the lighting tower may include

more or less light sources layers **402** (e.g., 2 layers, 3 layers, 4 layers, 5 layers, 7 layers, 8 layers, etc.). Additional layers may provide more granularity in beam angle adjustment, while a reduced number of layers may provide certain sizing or cost efficiencies. Further, in the illustrated embodiment, each light source layer **402** includes 6 sides with a single base light source **404** disposed on each side. However, in some embodiments, each light source layer **402** may include more or less sides (e.g., 3 sides, 4 sides, 5 sides, 7 sides, 8 sides, etc.). An increased number of sides may result in increased light intensity, while a decreased number of sides may also provide certain sizing or cost efficiencies. In certain embodiments, each side of each light source layer **402** may include additional light sources (e.g., 2 light sources, 3 light sources, 4 light sources, 5 light sources, etc.). The lighting tower **138** may also be a cylindrical shape such that there are no distinct sides. For example, curved LEDs (e.g., LEDs with a curved lighting emitting surface) could be used within each light source layer **402**.

Each base light source (lighting element) **404** may include a single LED or multiple LEDs. For example, each base light source **404** may include multiple LEDs in a COB configuration, as discrete LEDs, or a combination of COBs and discrete LEDs. In some embodiments, the LEDs may be configured in CSP configurations. In CSP configurations, LEDs may be disposed directly on electronic circuitry of the lighting tower **138**. Additionally, while each base light source **404** is illustrated as a circle occupying a majority of the surface area of each side of each lighting source layer **402**, each base light source **404** may have a different size and/or a different shape. For example, the lighting tower **138** may include base light sources **404** of different sizes and/or different shapes (e.g., triangles, squares, pentagons, hexagons, etc.).

The lighting tower **138**, combined with the PAR **134**, significantly increases the number of LEDs that can be fit into a small source size, because the lighting tower **138** emits the light laterally. For example, in the illustrated embodiment, light is emitted from 6 vertical sides. Using a side emission tower allows for 5 times or greater LEDs to be placed into the same three-dimensional space. The lighting assembly **130** may generate a brighter LED light in a more compact fixture compared to traditional, flat, and planar LED sources that emit light in only one direction. Because the PAR **134** may redirect lateral light emitted by the lighting tower **138**, the lighting assembly **130** leverages that reflector capability and may include LEDs on all sides of the lighting tower **138**. In an aspect, the ability to digitally control which lighting source layer **402** is to be turned on creates a motionless focused beam LED light, eliminating the need for a focus knob (because the beam angle may be controlled using DMX controls) and a moving lamp.

FIGS. 5A-5C illustrate lighting angles that may be generated by the lighting system **100** of FIG. 1. As described above, the lighting tower **138** includes multiple light source layers **402** that may be selectively activated to generate various beam angles. In the embodiment of FIG. 5A, two light source layers **501A** are activated, as indicated by illuminated layer lights **502A**. The two activated light source layers **501A** are the light source layers disposed furthest from the PAR **134**. Light emitted from the activated light source layers **501A** is projected radially outward toward the PAR **134**, as generally indicated by arrows **504A**. The light is then reflected by the PAR **134** and redirected as indicated by arrows **506A**. The activated light source layers **501A** are generally positioned at a focal point of the PAR **134** such that the beams of light reflected by the PAR **134** (e.g., arrows

**506A**) are generally parallel and generate a focused beam angle. The light indicated by arrows **506A** may be directed toward a target.

FIG. 5B illustrates two activated light source layers **501B** positioned at a portion of the lighting tower **138** closest to the PAR **134**, as indicated by illuminated layer lights **502B**. Light emitted from the activated light source layers **501B** is projected radially outward toward the PAR **134**, as generally indicated by arrows **504B**. The light is then reflected by the PAR **134** and redirected as indicated by arrows **506B**. The activated light source layers **501B** are generally positioned close to the PAR **134** such that the beams of light reflected by the PAR **134** (e.g., arrows **506B**) generate a wider pattern of light and a wide beam angle.

FIG. 5C illustrates the lighting tower **138** with every light source layer **402** as an activated light source layer **501C**, as indicated by illuminated layer lights **502C**. Light emitted from the activated light source layers **501C** is projected radially outward toward the PAR **134**, as generally indicated by arrows **504C**. The light is then reflected by the PAR **134** and redirected as indicated by arrows **506C**. By activating all the light source layers **402**, a more varied and wider beam angle and shape may be generated. While the illustrated embodiments of FIGS. 5A-5C include only ends of the lighting tower **138** activated or the entire lighting tower **138** activated, it should be appreciated that other portions of the lighting tower **138** may be activated independent of one another (e.g., only a middle portion of the lighting tower **138** may be activated, two-thirds of the lighting tower **138** may be activated, activating one or more sides of all the light source layers simultaneously, etc.).

FIG. 5D is a perspective view of the PAR **314** of the lighting assembly **310** of FIG. 3B. As illustrated, an opening **510** is formed within the PAR **314** through which the lighting tower **316** may extend. For example, the lighting tower **316** may extend from the opening **510** and into an interior **512** of the PAR **314**. The PAR **314** includes an inner ring **514** and an outer ring **516** configured to reflect light emitted from the lighting tower **316** generally in a direction **518**. For example, light emitted generally radially by the lighting tower **316** may be reflected and redirected by the inner ring **514** and the outer ring **516** in the direction **518** to provide a desired beam angle and/or light pattern. In certain embodiments, the PAR **314** may include more or fewer rings (e.g., one ring, three rings, four rings, ten rings, etc.).

FIG. 5E is a cross-sectional view of the PAR **314** of FIG. 3B. As illustrated, the inner ring **514** is generally smaller than the outer ring **516** in both diameter and length. An inner diameter **520** of the inner ring **514** (e.g., a diameter adjacent to the opening **510** or a diameter of the opening **510**) may be about 60 mm, and an outer diameter **522** of the inner ring **514** (or an inner diameter of the outer ring **516**) may be about 247 mm. An outer diameter **524** of the outer ring **516** may be about 450 mm. Additionally, a length **526** (or height) of the inner ring **514** between the opening **510** and the outer ring **516** may be about 55 mm, and a length **528** (or height) of the outer ring **516** extending from the inner ring **514** may be about 180 mm. In other embodiments, the diameter **520**, the diameter **522**, the diameter **524**, the length **526**, the length **528**, or a combination thereof, may be other suitable dimensions to enable the PAR **314** to reflect light from the lighting tower **316** in the direction **518** to provide a desired beam angle and/or light pattern.

FIG. 5F is a front view of the lighting assembly **310** of FIG. 3B with the lighting tower **316** positioned within the interior **512** of the PAR **314**. As illustrated, the lighting tower **316** includes a hexagonal shape that may extend

within the interior **512** of the PAR **314**. As such, the lighting tower **316** includes six sides **540** with each side **540** coupled to one or more layers of CSP arrays **542** (e.g., the CSP arrays **542** may be mounted to the sides **540** or may be integral to the sides **540**). In certain embodiments, the lighting tower **316** may include more or fewer sides **540** (e.g., three sides **540**, four sides **540**, seven sides **540**, ten sides **540**, etc.) with some or all of the sides **540** coupled to the layer(s) of CSP arrays **542**. Accordingly, each layer of lighting elements is positioned about a longitudinal axis of the lighting tower **316**, and in at least one embodiment, this provides 360 degrees of potential illumination by the lighting tower **316**.

The CSP arrays **542** include rows of LED's **544** configured to emit light of varying temperatures (e.g., CCT's) and colors. As such, the sides **540** of the lighting tower **316**, certain layers of the CSP arrays **542**, individual CSP arrays **542**, or a combination thereof, may be controlled to emit light and provide a desired beam angle and/or light pattern when reflected by the PAR **314**. In the illustrated embodiment, a first CSP array **542A** positioned on a first side **540A** and a second CSP array **542B** positioned on a second side **540B** are emitting light, as indicated by arrows **546A** and **546B**, respectively. The light emitted by the LED's **544** of the CSP arrays **542A** and **542B** is projected radially outward from the lighting tower **316** and toward the PAR **314**. The PAR **314** may reflect the light outwardly from the lighting assembly **310**.

In certain embodiments, other CSP arrays **542** along other respective sides **540** may be controlled to emit light. For example, the CSP arrays **542** on two adjacent sides **540** may be controlled to emit light (turned on), while the remaining CSP arrays **542** on the remaining sides **540** may be controlled to not emit light (turned off). In another example, the CSP arrays **542** on all sides **540** may be controlled to emit light, or only three, four, or five of the CSP arrays **542** on three, four, or five respective sides **540** may be controlled to emit light. As such, the lighting tower **316** may be controlled to emit light in varying directions, symmetrically, and asymmetrically. As described in greater detail below, individual layers of the CSP arrays **542** on the sides **540** may also be controlled to emit light. As such, the CSP arrays **542** on each side **540**, along with the individual layers of CSP arrays **542** may be controlled to emit light and provide a desired beam angle and/or light pattern when reflected by the PAR **314**. Each CSP array **542** may also be controlled with independent color and independent CCT settings.

FIGS. **5G-5I** are diagrams of lighting angles and lighting patterns that may be generated by the lighting system **100** of FIG. **1**. As illustrated in FIG. **5G**, the lighting tower **316** includes light source layers **550** disposed along the length of the lighting tower **316** that may be selectively activated to generate various beam angles and/or lighting patterns. Each light source layer **550** extends around the lighting tower **316** and includes a single CSP array **542** on each side **540**. The illustrated embodiment of the lighting tower **316** includes nine light source layers **550**. In certain embodiments, the lighting tower **316** may include more or fewer light source layers **550** per side (e.g., one light source layer **550**, two light source layers **550**, four light source layers **550**, ten light source layers **550**, twenty light source layers **550**, etc.) and a different number of sides (e.g., 2 sides, 4 sides, 6 sides, 8 sides, 10 sides, 13 sides, 21 sides, etc.).

Each side **540** of CSP arrays **542**, each light source layer **550** of CSP arrays **542**, and each individual CSP array **542** may be individually controlled to generate a desired beam angle, a desired CCT, and/or a desired color. For example, adjusting which light source layers **550** are illuminated and

the intensity of light provided by the illuminated light source layers **550** allows for adjustment to the desired beam angle. Additionally, adjusting which light source layers **550** are illuminated and the intensity at which each light source layer **550** is illuminated allows for varying CCT's to be generated. In general, illuminating and/or activating only the light source layers **550** at a base **548** of the lighting tower **316** adjacent to the PAR **314** (e.g., the bottom two or three light source layers **550**) allows for a relatively small beam angle. As more light source layers **550** are illuminated along the length of the lighting tower **316** (e.g., toward a top **549** of the lighting tower **316**), the beam angle may increase. As such, controlling the illumination and light intensity of each light source layer **550** allows for varying beam angles and varying CCT's related to certain lighting effects. For example, a large beam angle with a high CCT (e.g., a warm CCT) that may provide an appearance similar to a positive, inviting character, such as an angel. A small beam angle with a low CCT (e.g., a cool CCT) may provide an appearance of a cold, harsh character, such as a vampire.

By way of specific example, to provide a beam angle of fifteen degrees, light source layers **550A** and **550B** adjacent to the base **548** of the lighting tower **316** may be illuminated to a first intensity, and light source layer **550C** (e.g., a third light source layer **550** from the base **548**) may be illuminated to a second intensity that is about half of the first intensity. To provide a beam angle of twenty degrees, the light source layers **550B** and **550C** may be illuminated to a first intensity, and the light source layer **550A** may be illuminated to a second intensity that is about thirty percent of the first intensity. To provide a beam angle of thirty degrees, the light source layers **550B** and **550C** may be illuminated to a first intensity, light source layer **550D** may be illuminated to a second intensity that is about forty percent of the first intensity, and the light source layer **550A** may be illuminated to a third intensity that is about thirty percent of the first intensity. To provide a beam angle of forty degrees, light source layers **550B**, **550C**, **550D**, **550E**, and **550F** may be illuminated to a first intensity, and the light source layer **550A** may be illuminated to a second intensity that is about ten percent of the first intensity. To provide a beam angle of fifty degrees, light source layers **550B**, **550C**, **550D**, **550E**, **550F**, **550G**, **550H**, and **550I** may be illuminated to a first intensity, and the light source layer **550A** may be illuminated to a second intensity that is about ten percent of the first intensity. To provide other beam angles, other combinations of the light source layers **550** may be illuminated at varying relative intensities.

As illustrated in FIG. **5G**, every light source layer **550** on two sides **540A** and **540B** is activated (e.g., eighteen total CSP arrays **542** are illuminated) such that the two sides **540A** and **540B** are emitting light outwardly along the entire length of the lighting tower **316**, as indicated by arrows **552**, that is reflected by the PAR **314**, as indicated by arrows **554**. The light reflected by the PAR **314** provides a lighting pattern **556** on a surface. For example, the lighting pattern **556** may be spotlight focused on an object, a person, an animal, or scenery. As illustrated, the lighting pattern **556** is generally circular and a brightness of the lighting pattern **556** is generally even. Additionally, the embodiment of FIG. **5G** may produce a beam angle of about 50 degrees (e.g., a size of the lighting pattern **556**). As described in greater detail below, the beam angle and/or the lighting pattern provided by the lighting assembly **310** may be adjusted by activating and illuminating only certain sides **540** and/or only certain light source layers **550**.

In FIG. 5H, two lower light source layers **550D** and **550E** on the two sides **540A** and **540B** are activated (e.g., four total CSP arrays **542** are illuminated) such that only the light source layers **550D** and **550E** on the two sides **540A** and **540B** are emitting light outwardly, as indicated by arrows **560**, that is reflected by the PAR **314**, as indicated by arrows **562**. The light reflected by the PAR **314** provides a lighting pattern **564**. The lighting pattern **564** is generally circular and generally brighter toward the center (e.g., a center portion **566** of the lighting pattern **564** is generally brighter than an outer portion **568** of the lighting pattern **564**). Additionally, the embodiment of FIG. 5G may produce a beam angle of about 15 degrees (e.g., a size of the lighting pattern **564** or a size of the center portion **566** of the lighting pattern **564**). As additional and/or other light source layers **550** are activated down the length of the lighting tower **316**, such as toward a light source layer **550F**, the beam angle and/or a focal size of the lighting pattern provided by the lighting assembly **310** may generally increase.

In FIG. 5I, light source layers **550D**, **550E**, **550G**, **550H**, and **550I** on the side **540B** are activated (e.g., five total CSP arrays **542** are illuminated) such that only CSP arrays **542** on the side **540B** are emitting light outwardly, as indicated by arrows **580**, that is reflected by the PAR **314**, as indicated by arrows **582**. The light reflected by the PAR **314** provides a lighting pattern **584**. The lighting pattern **564** is generally circular and a brightness of the lighting pattern **556** is generally even. Additionally, the lighting pattern **584** of FIG. 5I is generally smaller compared to the lighting patterns **556** and **564** of FIGS. 5G and 5H, respectively. As such, the CSP arrays **542** of the lighting tower **316** may be controlled, such as by activating only CSP arrays **542** on certain sides **540** or on certain light source layers **550**, to provide a desired lighting pattern and/or beam angle.

FIG. 6A illustrates an embodiment of the lighting tower **138** of FIG. 4. The illustrated embodiment includes two light source layers **402**. Each light source layer **402** includes 12 sides **403**. Base light sources **404** are included on 6 sides **403A** of each light source layer **402**, and first supplementary light sources **602** and second supplementary light sources **604** are included on the other 6 sides **403B** of each light source layer **402**. This embodiment of the lighting tower **138** is configured to emit and blend a base color “M” and supplementary colors “L” and “N” to generate a desired color of light at a desired CCT. Base light spectrum “M” is designed to provide the core light needed for all CCTs from 2700K to 6500K (e.g., using the base light sources **404**). Color tuning LEDs (e.g., first supplementary light sources **602** and second supplementary light sources **604**) offer the specialized additive spectrums “L” and “N” needed to create light ranging from 2700K to 6500K which is the preferred CCT range for adjustable motion picture and television lights, as depicted in FIG. 6A.

The spectrum of the first supplementary light sources **602** are used to add (or blend) the color onto the base color “M” needed to make 3200 Kelvin (“K”) CCT (which may be suitable for simulating indoor lighting). The second supplementary light sources **604** provide the spectrum added onto the base color “M” needed to create the 5600K (which may be suitable for simulating outdoor lighting) in this example. The same principle may be applied to generate CCTs ranging from 2700K to 6500K. This approach allows the base light sources **404** to provide approximately 70% of the light, making this system 30% more efficient than the traditional “bi-color” 3200K-5600K blending systems. Thus, the light emitted by the base light sources **404**, the first supplement-

tary light sources **602**, and the second supplementary light sources **604** may be blended to generate light at a desired color and CCT.

FIG. 6B illustrates an embodiment of the lighting tower **316** of FIG. 3B. As described above, each side **540** of the lighting tower **316** includes nine CSP arrays **542** such that nine light source layers **550** are formed along the lighting tower **316** (e.g., each light source layer **550** includes six CSP arrays **542**, and the lighting tower **316** includes 54 total CSP arrays **542**). In certain embodiments, the lighting tower **316** may include more or fewer sides **540** and/or more or fewer light source layers **550**. As described herein, the CSP arrays **542** may be controlled to achieve a desired beam angle and/or a desired lighting pattern. Further, each CSP array **542** may be independently controlled to emit a particular CCT and/or color. The light emitted from the activated CSP arrays **542** may be reflected by the PAR **314** to achieve the desired beam angle and/or the desired lighting pattern.

In the illustrated embodiment, a length **610** of the lighting tower **316** is generally longer than a width **612**. For example, the length **610** may be about 140 mm, and the width **612** may be about 47 mm. In other embodiments, the length **610** and/or the width **612** of the lighting tower **316** may be other suitable dimensions. Further, in some embodiments, the lighting tower **316** may be wider than it is tall. For example, the length **610** may be less than the width **612**. In certain embodiments, the length **610** may be generally equal to the width **612**. In some embodiments, the lighting tower **316** may be controlled to provide different colors when different CSP arrays within the lighting tower **316** have different colors or different LEDs within a same CSP array have different colors. In these embodiments, the CCT and color for the lighting tower **316** may be independently controlled.

FIG. 6C is an illustration of the CSP array **542** of the lighting tower **316** of FIG. 6B. The CSP array **542** includes LED's **620** configured to emit light at a desired CCT. As illustrated, the CSP array **542** includes sixty LED's **620** arranged in six rows **622** and ten LED's **620** in each row **622**. In certain embodiments, the CSP array **542** may include more or fewer LED's **620**. Further, in some embodiments, the lighting tower **316** may include CSP arrays **542** having varying amounts of LED's **620** (e.g., some CSP arrays **542** may have more LED's **620** than other CSP arrays **542**).

The CSP array **542** includes wired connections **624** configured to provide power and/or communication to the LED's **620** and the CSP array **542** generally. For example, activating the LED's **620** of the CSP array **542** and/or achieving the desired CCT may be accomplished via the wired connections **624**. In certain embodiments, the CSP array **542** may be coupled to the lighting tower **316** via the wired connections **624**.

FIG. 7A is a flow diagram **700** for controlling a beam angle, a color, and/or a CCT in an exemplary embodiment of the lighting system **100** of FIG. 1. Each block of flow diagram **700** (e.g., blocks **702**, **704**, **706**, and **708**) may be performed by the digital control system **120** and/or the lighting assembly controller **136**. As described above, the lighting system **100** may be configured to provide desired beam angles, colors, and/or CCT's. For example, a user may provide inputs related to a beam angle, a color, and/or a CCT to the user interface **127** of the digital control system **120** of FIG. 1. At block **702**, based on the inputs, the digital control system **120** may identify and/or provide a desired beam angle, a desired color, and/or a desired CCT to be generated by the lighting system **100** or by an individual lighting assembly **130** based on the user inputs. For example, a



lighting operator may indicate a particular desired beam angle, color, and/or CCT via the user interface 127.

At block 704, the controller 122 may determine which light source layers 402 of the lighting tower 138 or which light source layers 550 of the lighting tower 316 to illuminate and the appropriate intensity for each illuminated light source layer 402 and 550 that will achieve the desired beam angle, the desired color, and the desired CCT. For example, illumination of certain light source layers 550 at certain intensities may achieve the desired beam angle, the desired color, and the desired CCT.

At block 706, the controller 122 may provide an activation request to the lighting assemblies 130 and/or 310. For example, the controller 122 may output a signal to a lighting assembly 130 and/or 310 via a wired connection 124 and/or a wireless connection 126 indicative of the specific light source layers 402 and/or 550 of the lighting towers 138 and 316, respectively, to activate and a corresponding amount of power (e.g., the respective intensities) to be supplied to the light source layers 402 and/or 550. In some embodiments, the controller 136 may be configured to provide the activation request to the lighting assemblies 130 and/or 310.

At block 708, the lighting assembly controller 136 may activate the lighting assemblies 130 and/or 310 based upon the activation request. As described above, the activation request may identify specific light source layers 402 and/or 550 of the lighting towers 138 and 316, respectively, to activate and the corresponding power to be supplied to each light source layer 402 and/or 550. The lighting assembly controller 136 may output signals to the lighting towers 138 and 316 to activate the specific lights and provide the specific amounts of power. With this activation of the light source layers 402 and/or 550, the desired beam angle, the desired color, and/or the desired CCT may be provided.

FIG. 7B is a flow diagram 720 for controlling a CCT in an exemplary embodiment of the lighting system 100 of FIG. 1. Each block of flow diagram 720 (e.g., blocks 722, 724, 726, 728, 730, and 732) may be performed by the digital control system 120 and/or the lighting assembly controller 136. As described above, the lighting system 100 may be configured to blend light of varying CCTs to generate a desired CCT. A user may provide inputs to the user interface 127 of the digital control system 120 of FIG. 1. At block 722, based on the inputs, the digital control system 120 may identify and/or provide a desired CCT to be generated by the lighting system 100 or by an individual lighting assembly 130. For example, a lighting operator may indicate a particular desired CCT via the user interface 127.

At block 724, the controller 122 may receive the desired CCT. For example, a user may provide various inputs to the user interface 127 indicative of a desired CCT. Those inputs may then be sent from the user interface 127 to the processor 128. In embodiments where block 724 is performed by the lighting assembly controller 136, the lighting assembly controller 136 may receive a signal indicative of the desired CCT.

At block 726, the controller 122 may identify supplemental lights (e.g., first supplementary light sources 602 and second supplementary light sources 604) to be added to the base lights (e.g., base light sources 404) of the lighting tower 138 based at least upon the desired CCT. The controller 122 may also determine the power to be supplied to each base light and supplement light. By varying which lights are activated and the amount of power supplied to the activated lights, a desired CCT ranging from 2700K to 6500K may be generated using base lighting of the base light source 404 supplemented by lighting from the first supplemental light

source 602 and/or the second supplemental light source 604. Therefore, based at least on the desired CCT, the controller 122 may determine which base lights and supplement of the lighting tower 138 to activate and the amount of power to supply to each light to achieve the desired CCT. In some embodiments, the controller 136 may be configured to identify supplemental lights (e.g., first supplementary light sources 602 and second supplementary light sources 604) to be added to the base lights (e.g., base light sources 404) of the lighting tower 138 based at least upon the desired CCT.

At block 728, the controller 122 may provide an activation request to the one or more lighting assemblies 130. For example, the controller 122 may output a signal to a lighting assembly 130 via a wired connection 124 indicative of the specific lights of the lighting tower 138 to activate and a corresponding amount of power to be supplied to individual lights. In other embodiments, the controller 122 may output a signal to a lighting assembly 130 via a wireless connection 126 indicative of the specific lights of the lighting tower 138 to activate. In some embodiments, the controller 136 may be configured to provide the activation request to the one or more lighting assemblies 130.

At block 730, the lighting assembly controller 136 may receive the activation request. As described above, the activation request may identify base light sources 404, first supplementary lights 602, and second supplementary lights 604 of the lighting tower 138 to activate, along with the corresponding power to be supplied to each, to achieve the desired CCT. A signal indicative of the activation request may be received via the wired connection 124, via the wireless connection 126, or via both.

At block 732, the lighting assembly controller 136 may activate the one or more lighting assemblies 130 based upon the activation request. As described above, the activation request may identify specific lights of the lighting tower 138 to activate and the corresponding power to be supplied to each light. The lighting assembly controller 136 may output signals to the lighting tower 138 to activate the specific lights and provide the specific amounts of power. With this activation of the lights of the lighting tower 138, the desired CCT is generated.

FIG. 8 is a graphical illustration 800 of light spectrums that may be generated by the lighting system 100 of FIG. 1. In the graphical illustration 800, the x-axis 802 depicts a wavelength (or frequency) of light that may be generated by each of the base light sources 404 (“M-primary COBs”), first supplementary light sources 602 (“L-CCT>LEDs”), and second supplementary light sources 604 (“N-CCT>LEDs”). The y-axis depicts a relative intensity value that may be generated by each light source. As illustrated, the base light sources 404 may generate light having a wavelength ranging from 400 nm to 780 nm and a relative intensity slightly less than 1. The supplementary light sources (e.g., the first supplementary light sources 602 and the second supplementary light sources 604) may provide additive light. For example, first supplementary light sources 602 may provide additive light ranging in wavelength from about 570 nm to 780 nm and a relative intensity up to about 1.45. Second supplementary lights 604 may provide additive light ranging in wavelength from about 400 nm to 570 nm.

Certain combinations of light from each of the base light sources 404, the first supplementary light sources 602, and the second supplementary light sources 604 may generate light at desired CCTs. For example, as illustrated a combined light including light “M” from the base light sources 404 and light “L” the first supplementary light sources 602 may generate a CCT of 3200K. By contrast, light “M” combined

with light “N” from the second supplementary light sources **604** may generate a CCT of 5600K. As such, light emitted from each of the base light sources **404**, the first supplementary light sources **602**, and the second supplementary light sources **604** may be blended to generate a desired CCT. For example, adjustments may include determining a subset of the supplementary light sources **602** and **604** that provide an offset color that would shift the base light **404** to the desired CCT. In some embodiments, a first subset of supplementary lights may be configured to adjust the CCT to a first value (e.g., 3200K), and a second subset of supplementary lights may be configured to adjust the CCT to a second value (e.g., 5600K).

FIG. **9** is a diagram **900** of colors and CCTs that may be generated by the lighting system **100** of FIG. **1**. The diagram **900** shows the color space that may be achieved with the lighting system **100**. In addition to CCT adjustment, a certain amount of green adjustment may be made to the white light to move it off of a black body curve **904** for effects and color tuning. For example, the green adjustment may be positive or negative relative to a base white light. The diagram **900** includes an x-axis having a range of CCTs from 1000K to 20000+K. As generally described herein, the lighting system **100** may be configured to generate light ranging from 2700K to 6500K.

While the various embodiments described above include certain embodiments configured to adjust a beam angle of a lighting assembly **130**, and other embodiments configured to adjust a CCT of a lighting assembly **130**, an exemplary embodiment of the lighting system **100** includes the ability to adjust both a beam angle and a CCT of a lighting assembly **130**. In such embodiments, beam angle and CCT adjustments may be implemented via non-mechanical means, resulting in significant benefits such as reduced maintenance and increased operability.

FIG. **10A** is a rear perspective view of the lighting assembly **310** of FIG. **3B**. Cooling of the lighting assembly **310** may be enhanced via active cooling. For example, heat generated by operation of the lighting tower **316** (e.g., operation of the LED’s **620**) may be dissipated to ambient air flowing through the lighting assembly **310**. As illustrated, the vents **340** may enable air flow into the lighting assembly **310**, as indicated by arrows **1000**. The air flow into the lighting assembly **310** may be caused by low pressure within the lighting assembly **310** and/or by fans **1002** within the lighting assembly **310**. The fans **1002** are positioned generally above the vents **340** and are angled relative to the vents **340** to substantially prevent water and other debris from entering the lighting assembly **310**.

After entering the lighting assembly **310**, the air flow may contact and absorb heat from the chassis **312**, the PAR **314**, the lighting tower **316**, and/or other components of the lighting assembly **310**. Additionally or alternatively, the air may flow generally downwardly and may exit the lighting assembly **310**, as indicated by arrow **1004**. In certain embodiments, as described in greater detail below, the lighting assembly **310** may include a coolant system configured to flow a coolant through the lighting tower **316** and a condenser **1006**. The air flow exiting the lighting assembly **310** (e.g., arrow **1004**) may pass through and/or over the condenser **1006** to exchange heat with the coolant flowing from the lighting tower **316** and through the condenser **1006**.

FIG. **10B** is a rear perspective view of the lighting assembly **310** of FIG. **3B**. As illustrated, the lighting assembly **310** includes a cooling system **1010** configured to actively cool the lighting tower **316**. The cooling system **1010** includes the condenser **1006**, coolant pipes **1012**, and

pipework within the lighting tower **316**. As illustrated, the coolant pipes **1012** are coupled to the condenser **1006** and a base **1014** of the lighting tower **316**. The coolant pipes **1012** are configured to carry coolant between the condenser **1006** and the lighting tower **316**. For example, the coolant pipes **1012** may carry chilled coolant from the condenser **1006** to the lighting tower **316**. The chilled coolant may pass through the lighting tower **316** and absorb heat generated by LED’s **620** of the CSP arrays **542**. Heated coolant may exit the lighting tower **316**, and the coolant pipes **1012** may carry the heated coolant back to the condenser **1006**. The condenser **1006** may condense and/or cool the heated coolant via the airflow **1004**. The chilled coolant may return to the lighting tower **316** to continue cooling the lighting tower **316**. In certain embodiments, the lighting tower **316** may include a pump **1016** within the lighting tower **316** or exterior to the lighting tower **316** that is configured to force the coolant to flow through the lighting tower **316**, the coolant pipes **1012**, and the condenser **1006**.

FIG. **11A** is a perspective view of an embodiment of the lighting tower **316** of the lighting system **100** of FIG. **1**. For example, the embodiment of FIG. **11A** may be employed within the lighting assembly **310**. As illustrated, the lighting tower **316** and the cooling system **1010** include heat pipes **1100** extending into the lighting tower **316** and coupled to one another. As described in greater detail in reference to FIG. **11A**, the heat pipes **1100** may extend along the length **610** of the lighting tower **316**. The heat pipes **1100** are connected via connections **1102** (e.g., “U-joints”) configured to pass coolant from one heat pipe **1100** to another heat pipe **1100**.

The cooling system **1010** may flow coolant to and from the lighting tower **316** via a first heat pipe **1100A** and a second heat pipe **1100B**, respectively. For example, the coolant pipes **1012** may be coupled to and configured to flow coolant to and from the first heat pipe **1100A** and the second heat pipe **1100B**. The coolant may enter the lighting tower **316** at the first heat pipe **1100A** as a chilled coolant, flow through the heat pipes **1100** and the connections **1102**, and exit the lighting tower **316** at the second heat pipe **1100B** as a heated coolant. After exiting the lighting tower **316**, the heat coolant may be chilled by the condenser **1006** to provide further cooling thereafter. To facilitate heat transfer, the heat pipes **1100** may be made of copper and/or of other suitable conductive materials.

As illustrated, the lighting tower **316** also includes a core **1020** that is generally hollow to enable wiring to pass along the length **610** of the lighting tower **316** within the lighting tower **316**. For example, the wiring connected to the individual CSP arrays **542** may extend into the lighting tower **316** and the core **1020** and may extend to a power source and/or controller. In embodiments with fifty-four CSP arrays **542** (e.g., nine CSP arrays **542** on each side **540**), the core **1020** may provide area for wiring to all fifty-four CSP arrays **542** (e.g., about one hundred sixty-two wires).

FIG. **11B** is a perspective view of an embodiment of the lighting tower **316** of the lighting system **100** of FIG. **1**. For example, the embodiment of FIG. **11B** may be employed within the lighting assembly **310**. As illustrated, the heat pipes **1100** extend along the length **610** of the lighting tower **316** and are coupled to one another such that the coolant may pass from one heat pipe **1100** to another. Each side **540** of the lighting tower **316** includes two heat pipes **1100** extending between a first end **1130** and a second end **1132** of the lighting tower **316**. For each side **540**, the coolant may flow from the first end **1130** to the second end **1132** along a first heat pipe **1100** and flow from the second end **1132** to the first

end **1130** along a second heat pipe **1100**. As such, the heat pipes **1100** may provide effective cooling of the lighting tower **316** via the coolant flow.

FIG. **12** is a cross-sectional view of an embodiment of the lighting tower **316** of the lighting system **100** of FIG. **1**. For example, the embodiment of FIG. **12** may be employed within the lighting assembly **310**. As illustrated, the cooling system **1010** includes heat pipes **1200** and **1202** configured to flow coolant through the lighting tower **316** to absorb heat generated by the LED's **620** of the CSP arrays **542**. The heat pipe **1200** may be an inlet pipe configured to receive chilled coolant and pass the chilled coolant along the length **610** of the lighting tower **316**. The coolant may flow into the heat pipe **1202** that extends between the heat pipe **1200** and a casing **1204** of the lighting tower **316** that is coupled to the CSP arrays **542**. The coolant may flow down the heat pipe **1202** and toward an outlet **1206**. The coolant may then exit the lighting tower **316** via the pipe **1206** as a heated coolant, which may be chilled via the condenser **1006** and returned to the lighting tower **316**. In certain embodiments, the fluid flow may be reversed such that the pipe **1206** as a chilled coolant, flows through the heat pipe **1202** and absorbs heat, and exits the lighting tower **316** via the heat pipe **1200**.

While only certain features of the disclosure have been illustrated and described herein, many modifications and changes will occur to those skilled in the art. It is, therefore, to be understood that the appended claims are intended to cover all such modifications and changes as fall within the true spirit of the disclosure.

The techniques presented and claimed herein are referenced and applied to material objects and concrete examples of a practical nature that demonstrably improve the present technical field and, as such, are not abstract, intangible or purely theoretical. Further, if any claims appended to the end of this specification contain one or more elements designated as "means for [perform]ing [a function] . . ." or "step for [perform]ing [a function] . . .", it is intended that such elements are to be interpreted under 35 U.S.C. 112(f). However, for any claims containing elements designated in any other manner, it is intended that such elements are not to be interpreted under 35 U.S.C. 112(f).

The invention claimed is:

1. A lighting system, comprising:
  - a lighting tower configured to emit light;
  - a thermal circuit extending along the lighting tower, wherein the thermal circuit comprises:
    - a first chamber configured to receive coolant and to flow the coolant in a first direction within the lighting tower; and
    - a second chamber configured to receive the coolant from the first chamber and to flow the coolant in a second direction, opposite the first direction, within the lighting tower; and
  - a control system configured to control a beam angle of the lighting tower by:
    - receiving an indication of a desired beam angle;
    - identifying one or more layers of lighting elements of the lighting tower that, when activated within a parabolic reflector, generate the desired beam angle; and
    - providing an activation request to the one or more layers of lighting elements.
2. The lighting system of claim **1**, wherein the thermal circuit comprises:
  - an inlet configured to receive the coolant into the lighting tower, wherein the inlet is fluidly coupled to the first chamber; and

an outlet configured to flow the coolant out of the lighting tower, wherein the outlet is fluidly coupled to the second chamber, and wherein the inlet and the outlet are disposed at an end of the lighting tower.

3. The lighting system of claim **1**, wherein each of the first chamber and the second chamber extend along a length of the lighting tower.

4. The lighting system of claim **1**, wherein the lighting tower comprises a plurality of sides coupled to light emitting diodes (LEDs).

5. The lighting system of claim **4**, wherein the first chamber extends within the plurality of sides, between the plurality of sides, or both.

6. The lighting system of claim **4**, wherein the plurality of sides comprises at least five sides.

7. The lighting system of claim **1**, wherein the lighting tower comprises a plurality of layers of lighting elements, and wherein each layer of the plurality of layers of lighting elements is configured to provide a different angle of emitted light when activated within the parabolic reflector.

8. The lighting system of claim **7**, wherein each lighting element of the plurality of layers of lighting elements is configured to be independently activated while maintaining a desired color correlated temperature (CCT).

9. The lighting system of claim **1**, comprising a casing coupled to the lighting tower, wherein the second chamber extends generally between the casing and the first chamber.

10. A lighting system, comprising:

- a lighting tower configured to emit light;
- a thermal circuit extending along the lighting tower, wherein the thermal circuit comprises:
  - a first chamber configured to receive coolant and to flow the coolant in a first direction within the lighting tower; and
  - a second chamber configured to receive the coolant from the first chamber and to flow the coolant in a second direction, opposite the first direction, within the lighting tower;
- a condenser configured to cool the coolant passing through the thermal circuit;
- a pump configured to pump the coolant through the condenser and through the thermal circuit; and
- a control system configured to control a beam angle of the lighting tower by:
  - receiving an indication of a desired beam angle;
  - identifying one or more layers of lighting elements of the lighting tower that, when activated within a parabolic reflector, generate the desired beam angle; and
  - providing an activation request to the one or more layers of lighting elements.

11. The lighting system of claim **10**, comprising the parabolic reflector coupled to the lighting tower, wherein the parabolic reflector is configured to reflect light emitted by the lighting tower.

12. The lighting system of claim **11**, wherein the lighting tower comprises a plurality of layers of lighting elements, wherein each layer of lighting elements is configured to provide a different angle of emitted light with respect to light emitted from another layer of lighting elements when activated within the parabolic reflector.

13. The lighting system of claim **12**, wherein each lighting element of the plurality of layers of lighting elements is configured to be independently activated while maintaining a desired color correlated temperature (CCT).

14. The lighting system of claim **12**, wherein each lighting element comprises:

23

electronic circuitry;  
an array of light emitting diodes (LEDs) disposed on the  
electronic circuitry; and  
one or more wired connections electrically coupled to the  
electronic circuitry.

15. The lighting system of claim 10, wherein the lighting  
tower comprises a plurality of sides coupled to light emitting  
diodes (LEDs), and wherein the first chamber extends within  
the plurality of sides, between the plurality of sides, or both.

16. A method of cooling a lighting tower, comprising:  
receiving a coolant into the lighting tower via a first  
chamber;  
flowing the coolant through the first chamber in a first  
direction;  
receiving the coolant into a second chamber from the first  
chamber;  
flowing the coolant through the second chamber in a  
second direction, wherein the first direction is opposite  
the second direction;  
flowing the coolant out of the lighting tower via the  
second chamber; and  
controlling a beam angle of the lighting tower by:  
receiving an indication of a desired beam angle;  
identifying one or more layers of lighting elements of  
the lighting tower that, when activated within a  
parabolic reflector, generate the desired beam angle;  
and  
providing an activation request to the one or more  
layers of lighting elements.

17. The method of claim 16, comprising pumping the  
coolant through the first chamber and the second chamber  
via a pump fluidly coupled to the lighting tower.

18. The method of claim 16, comprising removing heat  
from the coolant after flowing from the second chamber via  
a condenser fluidly coupled to the lighting tower.

19. A lighting system, comprising:  
a lighting tower configured to emit light;

24

a thermal circuit extending along the lighting tower,  
wherein the thermal circuit comprises:  
a first chamber configured to receive coolant and to  
flow the coolant in a first direction within the lighting  
tower;  
a second chamber configured to receive the coolant  
from the first chamber and to flow the coolant in a  
second direction, opposite the first direction, within  
the lighting tower; and  
a control system configured to control a color correlated  
temperature (CCT) of the lighting tower by:  
receiving an indication of a desired CCT;  
identifying one or more layers of lighting elements of  
the lighting tower that, when activated within a  
parabolic reflector, generate the desired CCT; and  
providing an activation request to the one or more  
layers of lighting elements.

20. A method of cooling a lighting tower, comprising:  
receiving a coolant into the lighting tower via a first  
chamber;  
flowing the coolant through the first chamber in a first  
direction;  
receiving the coolant into a second chamber from the first  
chamber;  
flowing the coolant through the second chamber in a  
second direction, wherein the first direction is opposite  
the second direction;  
flowing the coolant out of the lighting tower via the  
second chamber; and  
controlling a color correlated temperature (CCT) of the  
lighting tower by:  
receiving an indication of a desired CCT;  
identifying one or more layers of lighting elements of  
the lighting tower that, when activated within a  
parabolic reflector, generate the desired CCT; and  
providing an activation request to the one or more  
layers of lighting elements.

\* \* \* \* \*