



(12) **United States Patent**  
**Edwards**

(10) **Patent No.:** **US 11,333,342 B2**  
(45) **Date of Patent:** **May 17, 2022**

- (54) **LIGHT EMITTING DIODE COOLING SYSTEMS AND METHODS**
- (71) Applicant: **NBCUniversal Media, LLC**, New York, NY (US)
- (72) Inventor: **Charles Edwards**, Mesa, AZ (US)
- (73) Assignee: **NBCUniversal Media, LLC**, New York, NY (US)

(\*) Notice: Subject to any disclaimer, the term of this patent is extended or adjusted under 35 U.S.C. 154(b) by 0 days.

- (21) Appl. No.: **16/731,619**
- (22) Filed: **Dec. 31, 2019**

(65) **Prior Publication Data**  
US 2020/0378588 A1 Dec. 3, 2020

**Related U.S. Application Data**  
(60) Provisional application No. 62/854,161, filed on May 29, 2019.

- (51) **Int. Cl.**  
*F21V 29/58* (2015.01)  
*F21V 29/61* (2015.01)  
*F21Y 115/10* (2016.01)  
*F21Y 107/30* (2016.01)  
*F21Y 105/18* (2016.01)

(52) **U.S. Cl.**  
CPC ..... *F21V 29/58* (2015.01); *F21V 29/59* (2015.01); *F21V 29/61* (2015.01); *F21Y 2105/18* (2016.08); *F21Y 2107/30* (2016.08); *F21Y 2115/10* (2016.08)

(58) **Field of Classification Search**  
CPC ..... F21V 29/56-59; H01L 23/44; H05K 7/20236

See application file for complete search history.

- (56) **References Cited**  
U.S. PATENT DOCUMENTS  
6,072,280 A 6/2000 Allen  
6,160,359 A 12/2000 Fleischmann  
8,686,623 B2 \* 4/2014 Wheelock ..... F21V 29/58  
313/36  
8,789,973 B2 \* 7/2014 Li ..... F21V 29/59  
362/294

(Continued)

**FOREIGN PATENT DOCUMENTS**

- DE 102006016529 A1 10/2007
- DE 102011083698 A1 4/2013

(Continued)

**OTHER PUBLICATIONS**

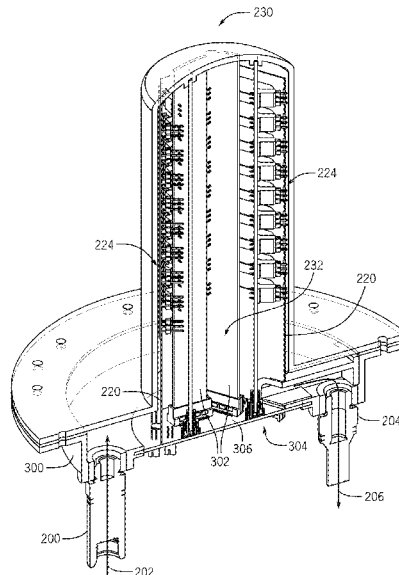
Extended European Search Report for Appl. No. 20172203.0 dated Oct. 15, 2020 (11 pages).  
Extended European Search Report dated Jun. 27, 2019 (8 pages).

*Primary Examiner* — Rajarshi Chakraborty  
*Assistant Examiner* — Michael Chiang  
(74) *Attorney, Agent, or Firm* — Fletcher Yoder, P.C.

(57) **ABSTRACT**

A cooling system for a light emitting diode assembly includes a heat exchanger configured to exchange heat from a fluid to ambient air, an enclosure configured to house the LED assembly, and a pump configured to circulate the fluid through the enclosure, through the LED assembly, or both, and through the heat exchanger. The fluid is configured to absorb heat at the LED assembly and generated by the LED assembly, and the heat exchanger is configured to cool the fluid and remove the heat absorbed by the fluid at the LED assembly.

**14 Claims, 16 Drawing Sheets**



(56)

**References Cited**

U.S. PATENT DOCUMENTS

9,723,680 B2 8/2017 Pope et al.  
 9,930,742 B1 3/2018 Sooch et al.  
 9,930,763 B1 3/2018 Trickier et al.  
 10,111,275 B2 10/2018 Norton et al.  
 10,174,890 B2 1/2019 Di Trapani et al.  
 2003/0227774 A1 12/2003 Martin et al.  
 2006/0001384 A1 1/2006 Tain et al.  
 2006/0076908 A1 4/2006 Morgan et al.  
 2009/0201374 A1 8/2009 Hung et al.  
 2009/0243493 A1 10/2009 Bergquist  
 2012/0206050 A1 8/2012 Spero  
 2013/0170176 A1 7/2013 Athalye  
 2013/0176723 A1 7/2013 Yang et al.  
 2013/0214698 A1 8/2013 Aliakseyeu et al.  
 2014/0375202 A1\* 12/2014 Yang ..... F21V 29/83  
 313/36

2015/0000877 A1\* 1/2015 Yang ..... H01L 23/34  
 165/104.31  
 2015/0233558 A1 8/2015 Ticktin et al.  
 2015/0260352 A1\* 9/2015 Bhattarai ..... F21V 29/56  
 313/36  
 2016/0186978 A1\* 6/2016 He ..... F21V 29/51  
 313/35  
 2016/0186979 A1 6/2016 Arik et al.  
 2017/0073048 A1\* 3/2017 Butcher ..... B63B 45/02  
 2017/0167712 A1\* 6/2017 Melzner ..... F21V 29/59  
 2017/0354022 A1 12/2017 Dimberg et al.  
 2018/0073686 A1 3/2018 Quilici et al.  
 2018/0306412 A1 10/2018 Halliwell

FOREIGN PATENT DOCUMENTS

EP 3208515 A1 8/2017  
 WO 2015060475 A1 4/2015  
 WO 2016115299 A1 7/2016

\* cited by examiner

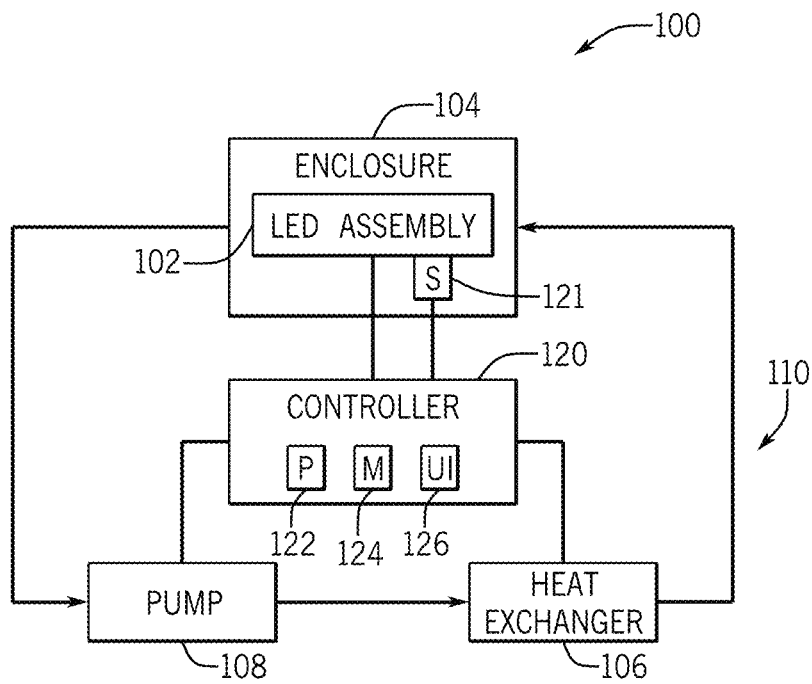


FIG. 1

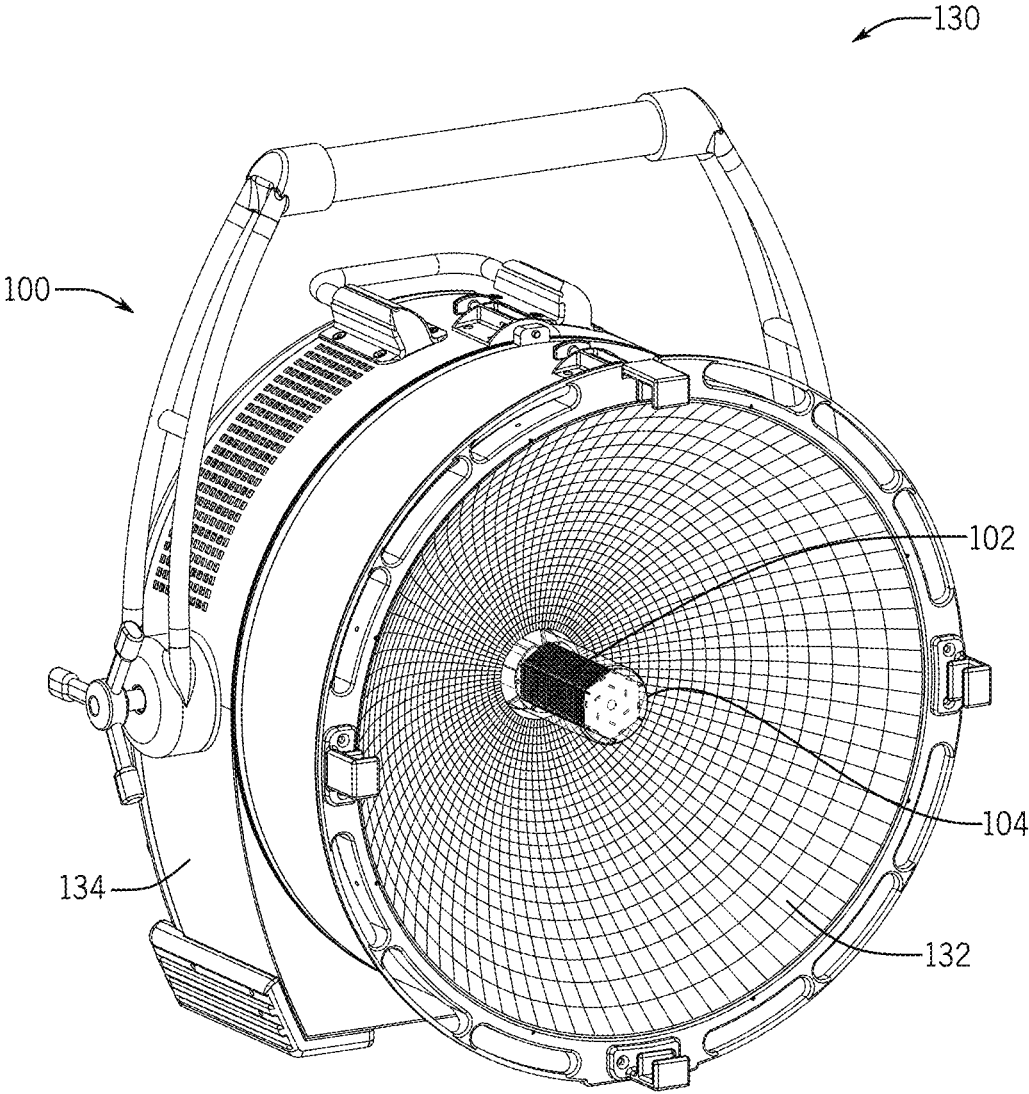


FIG. 2

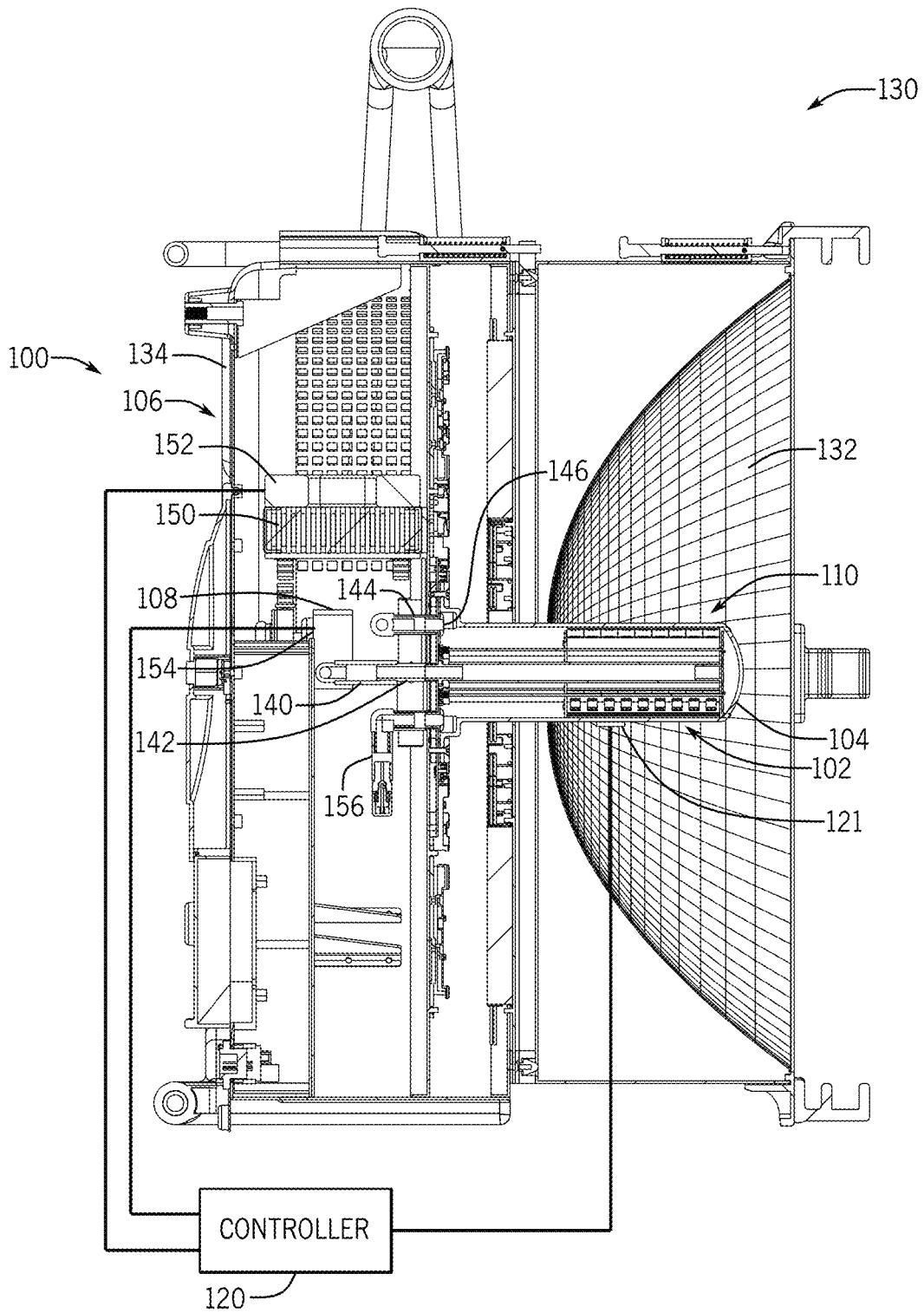


FIG. 3

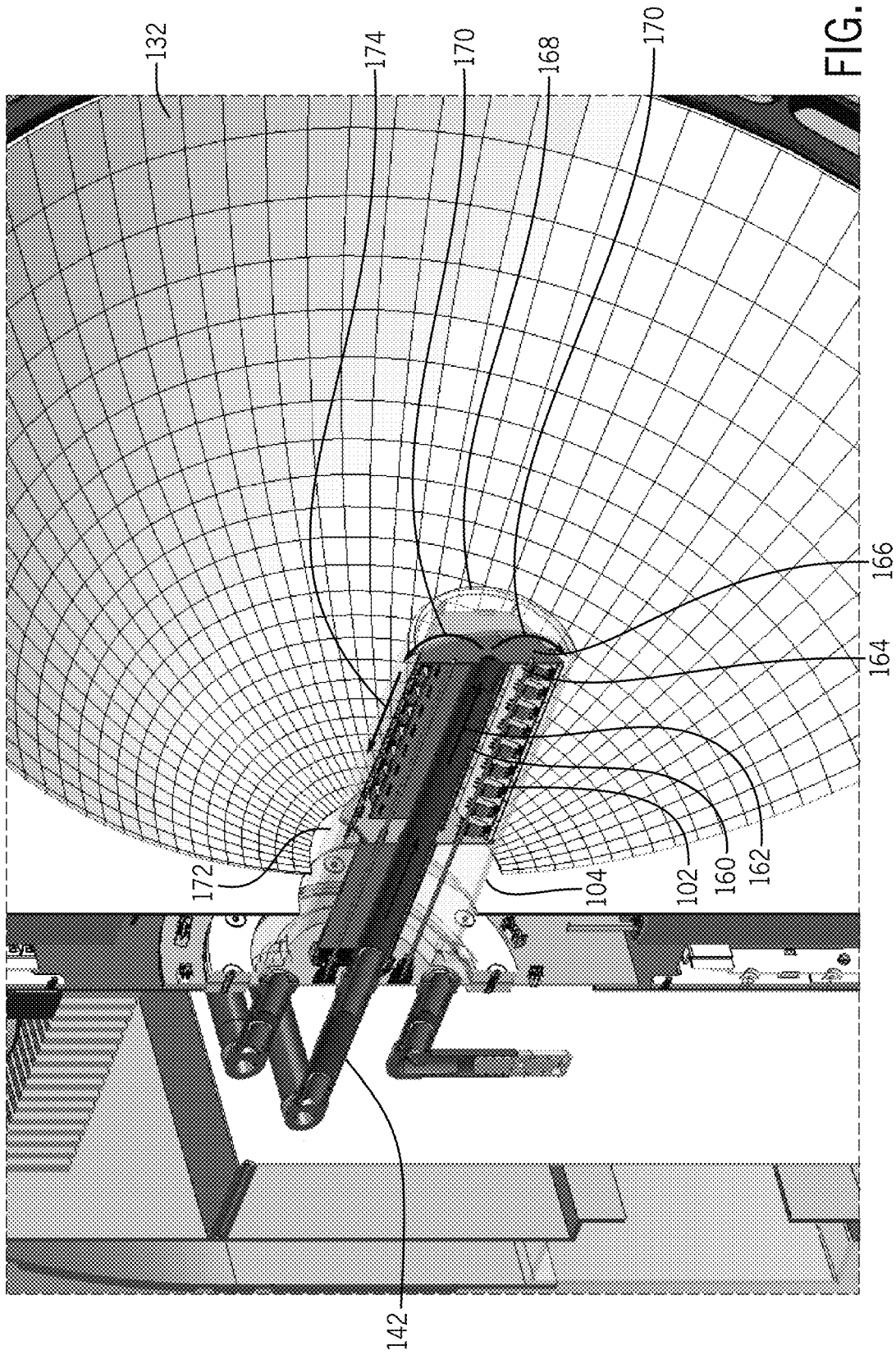


FIG. 4

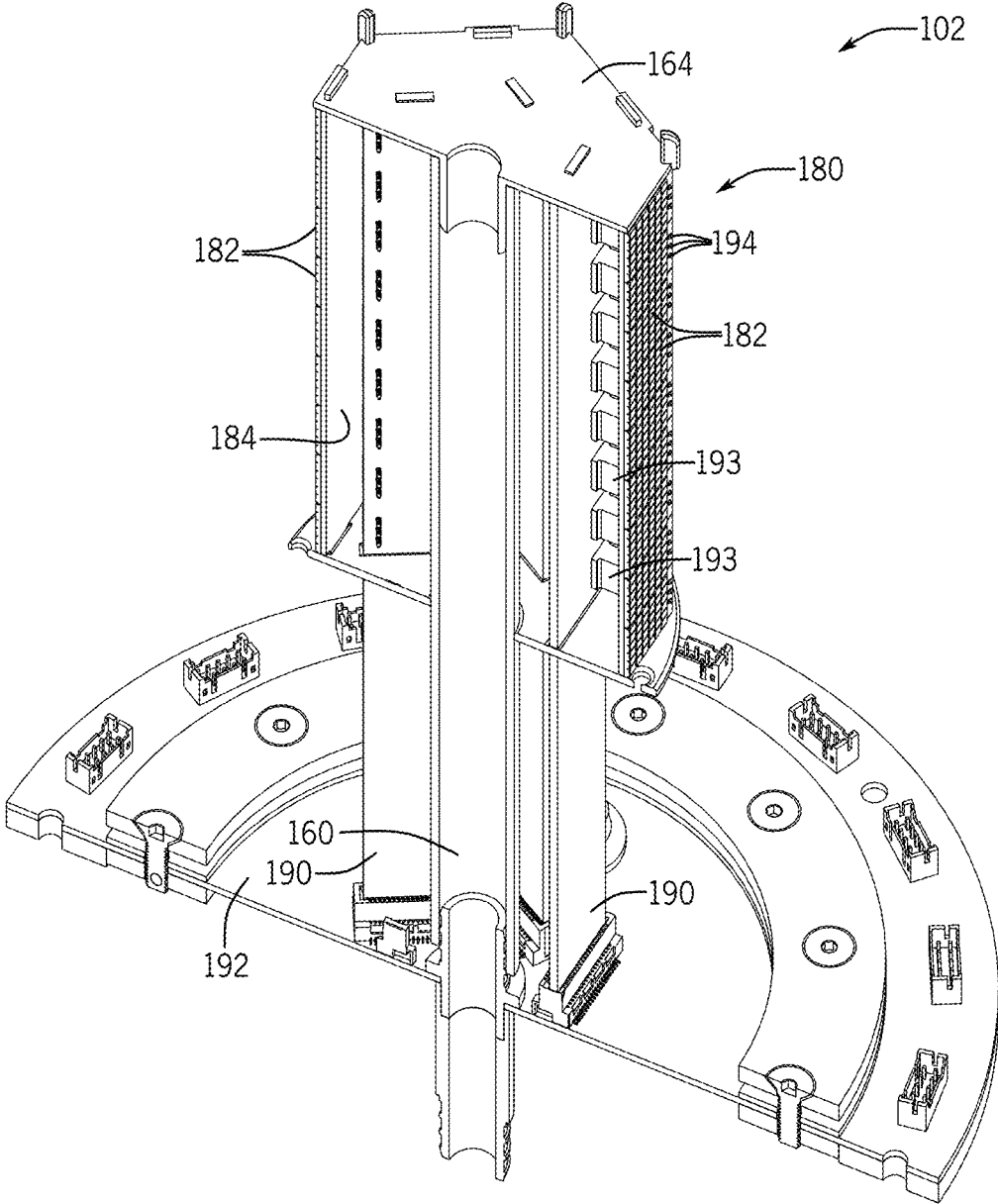


FIG. 5

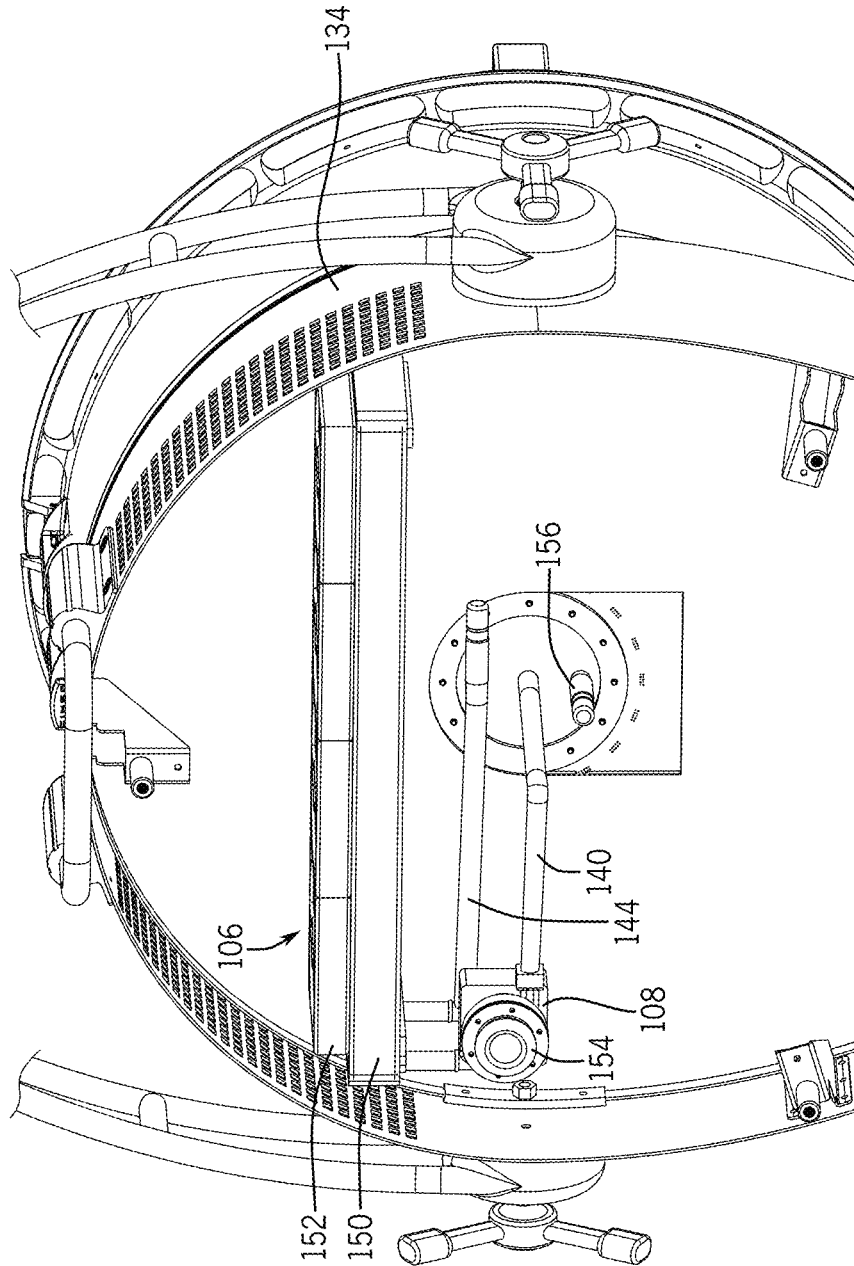


FIG. 6A



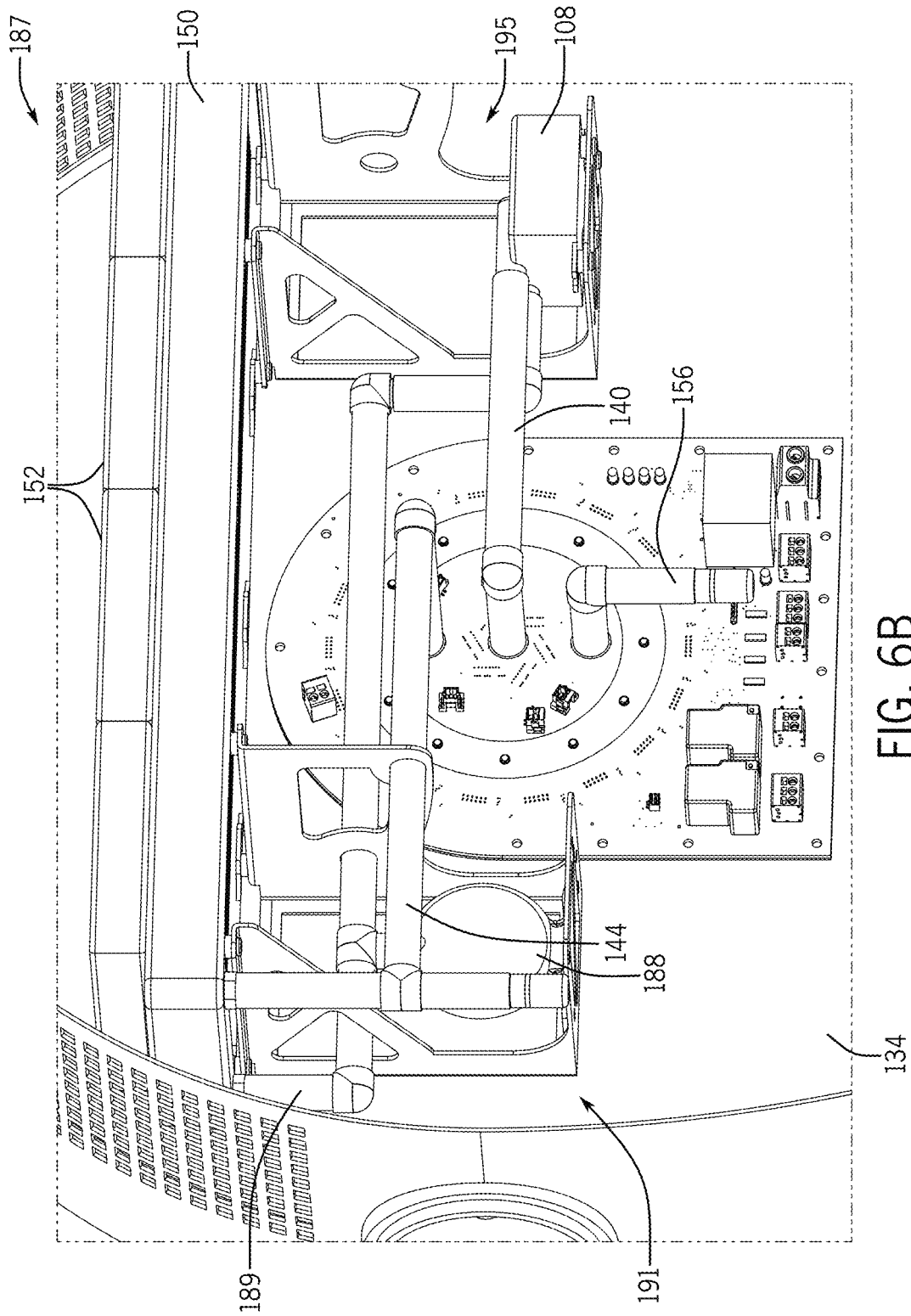


FIG. 6B

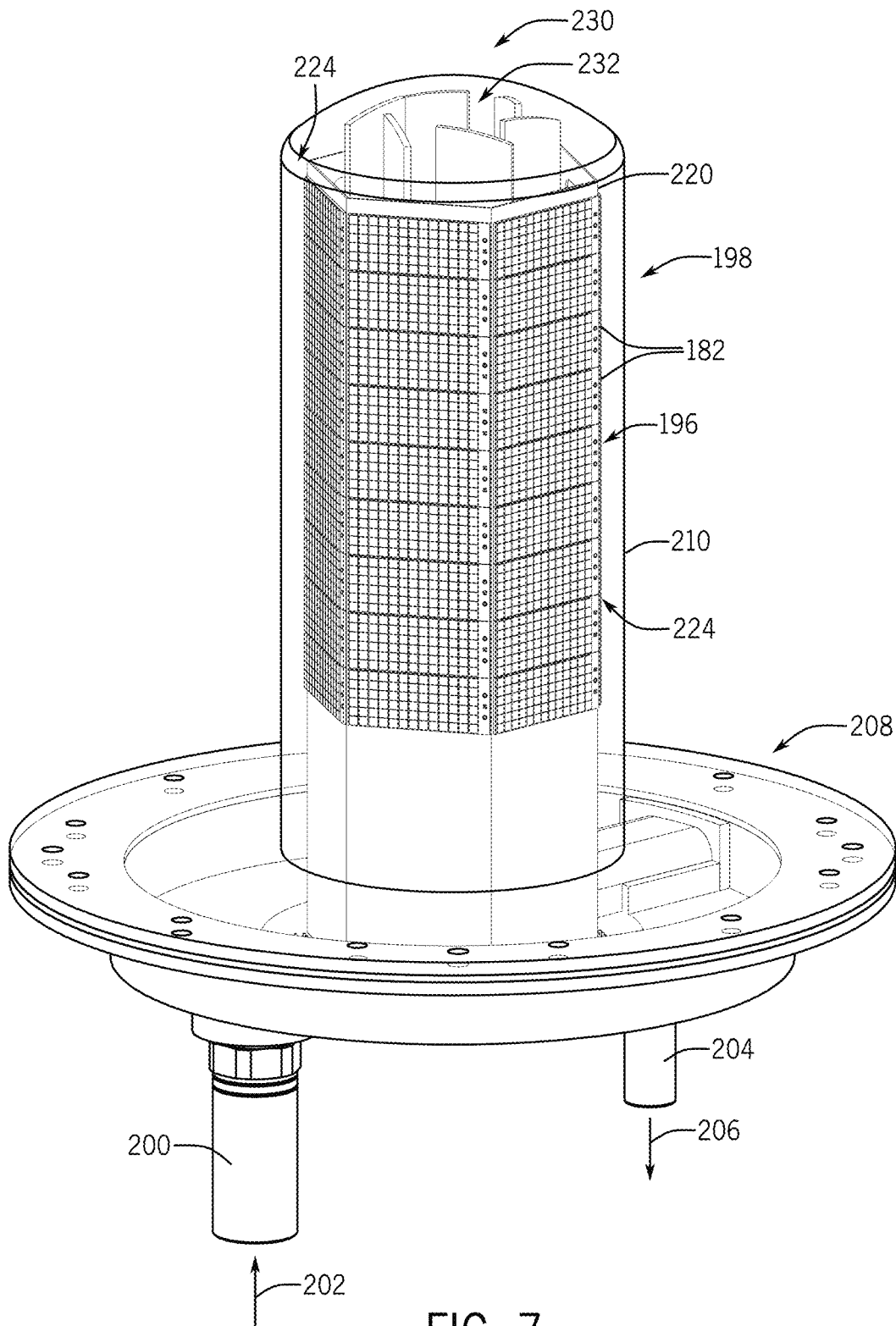
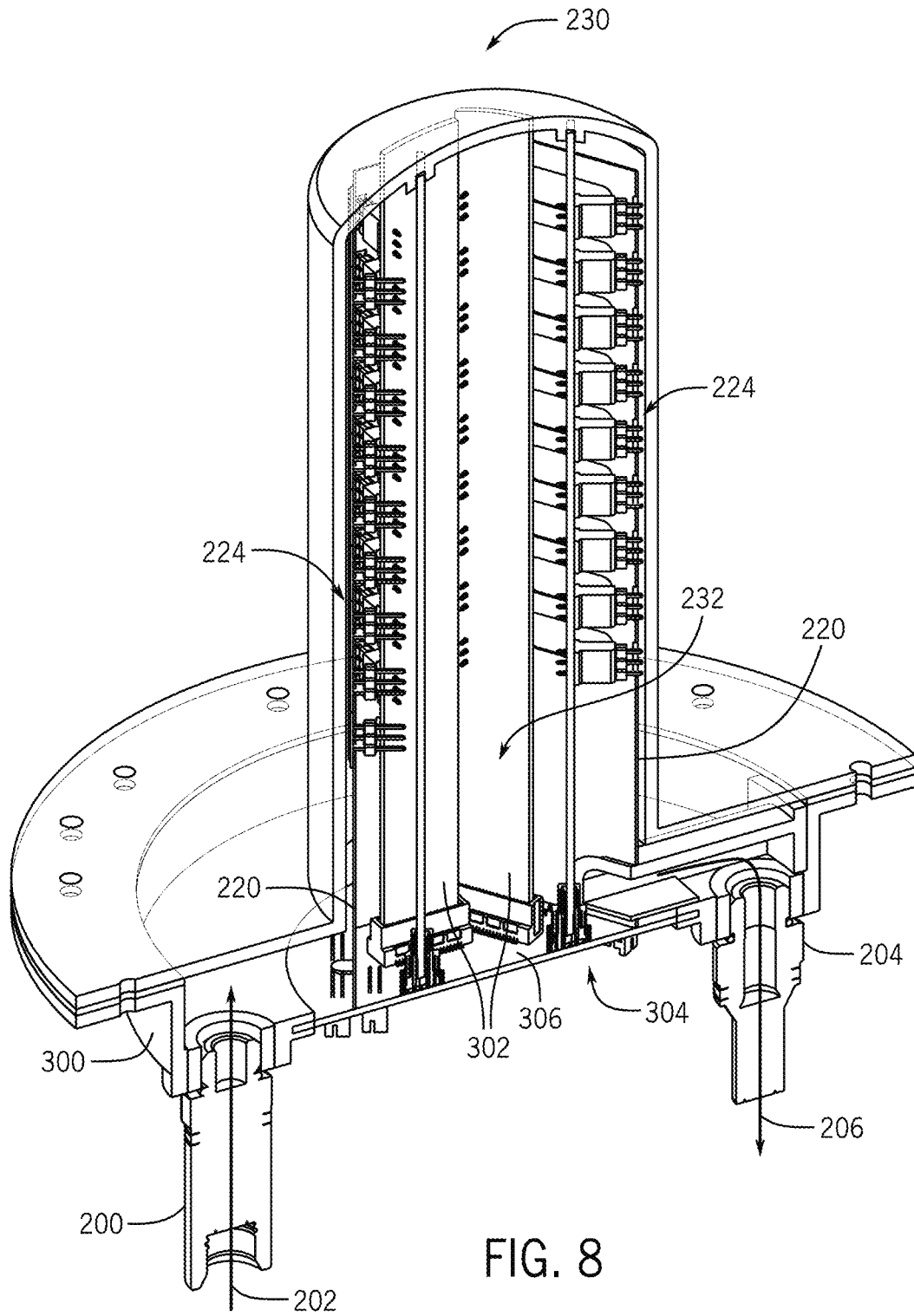


FIG. 7



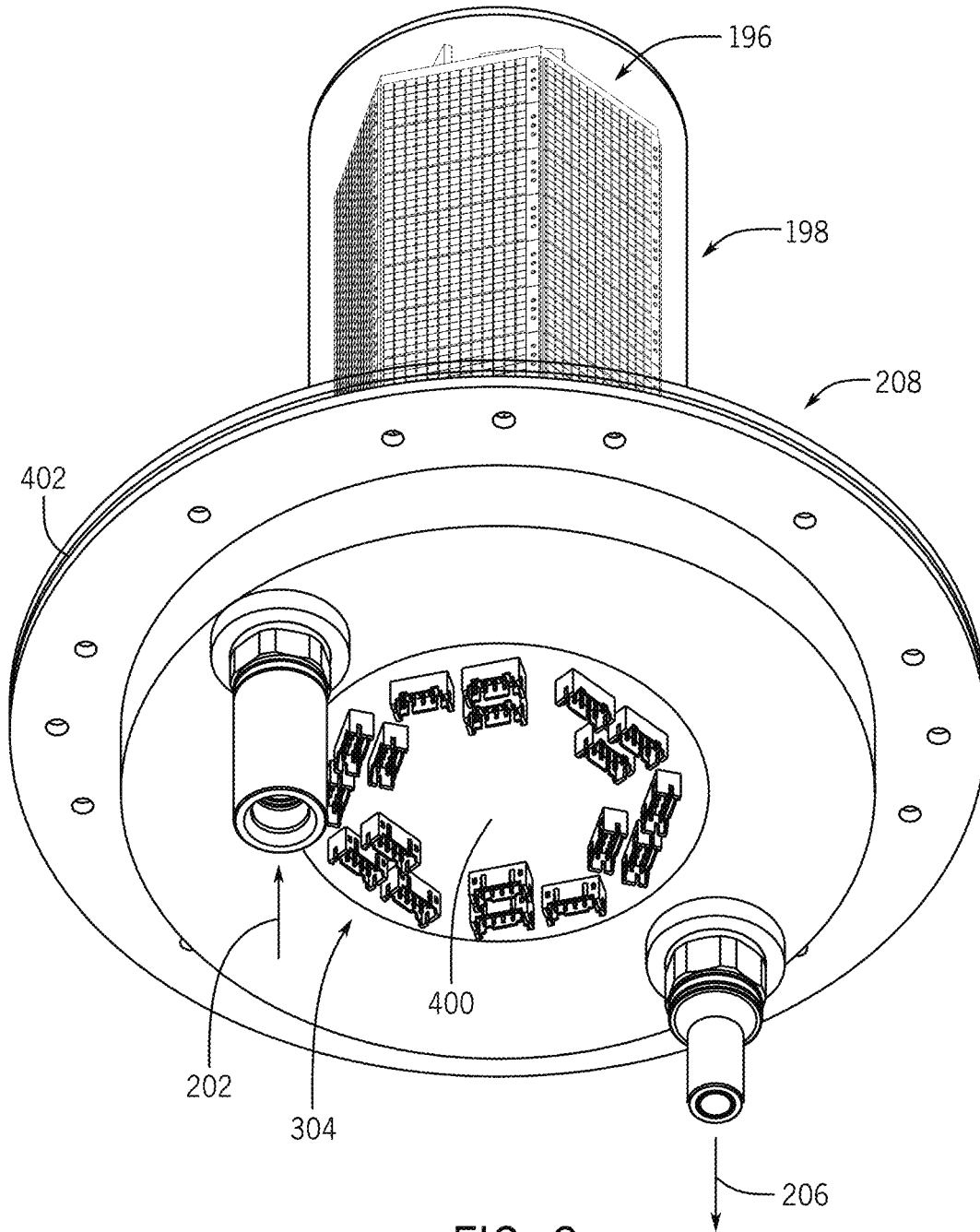


FIG. 9

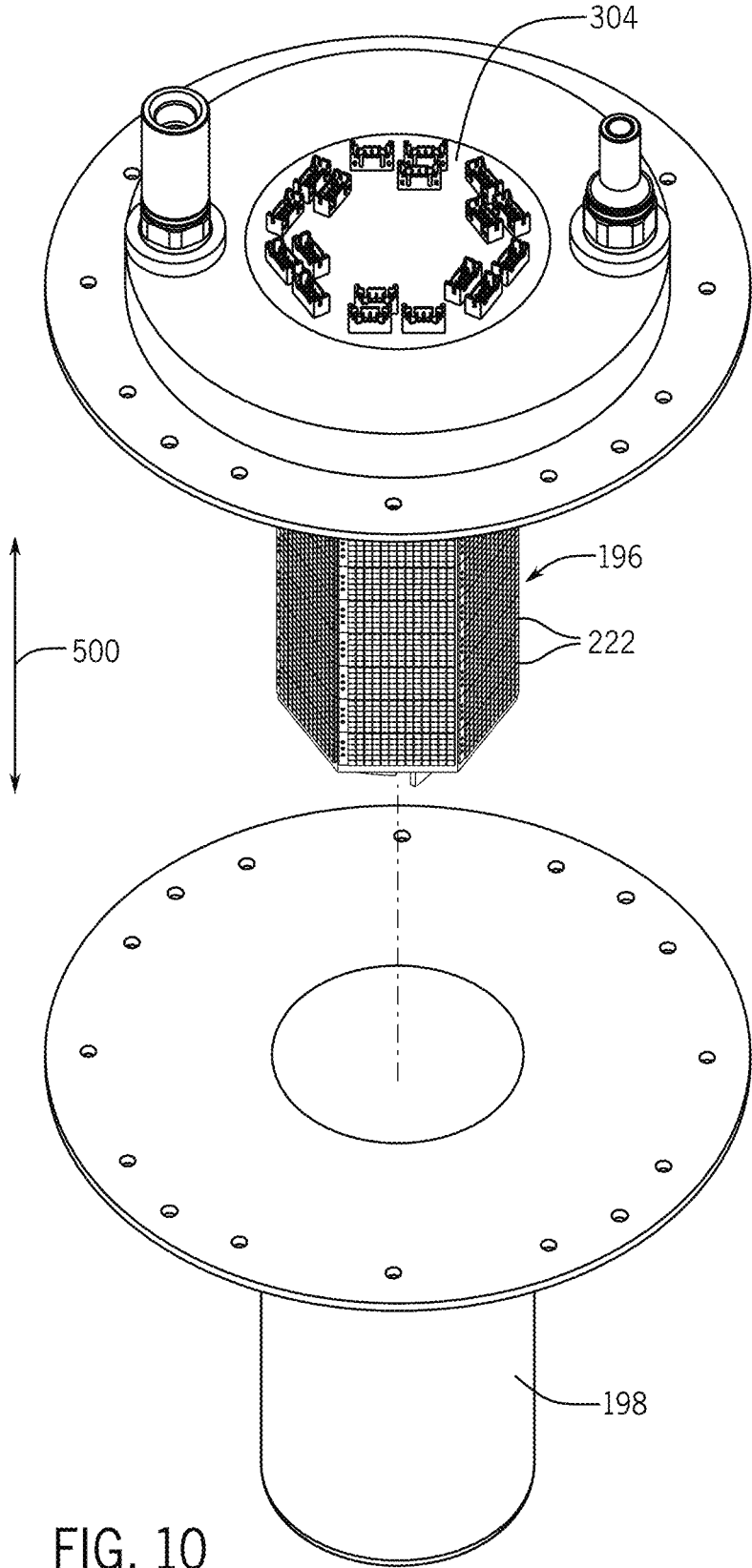


FIG. 10

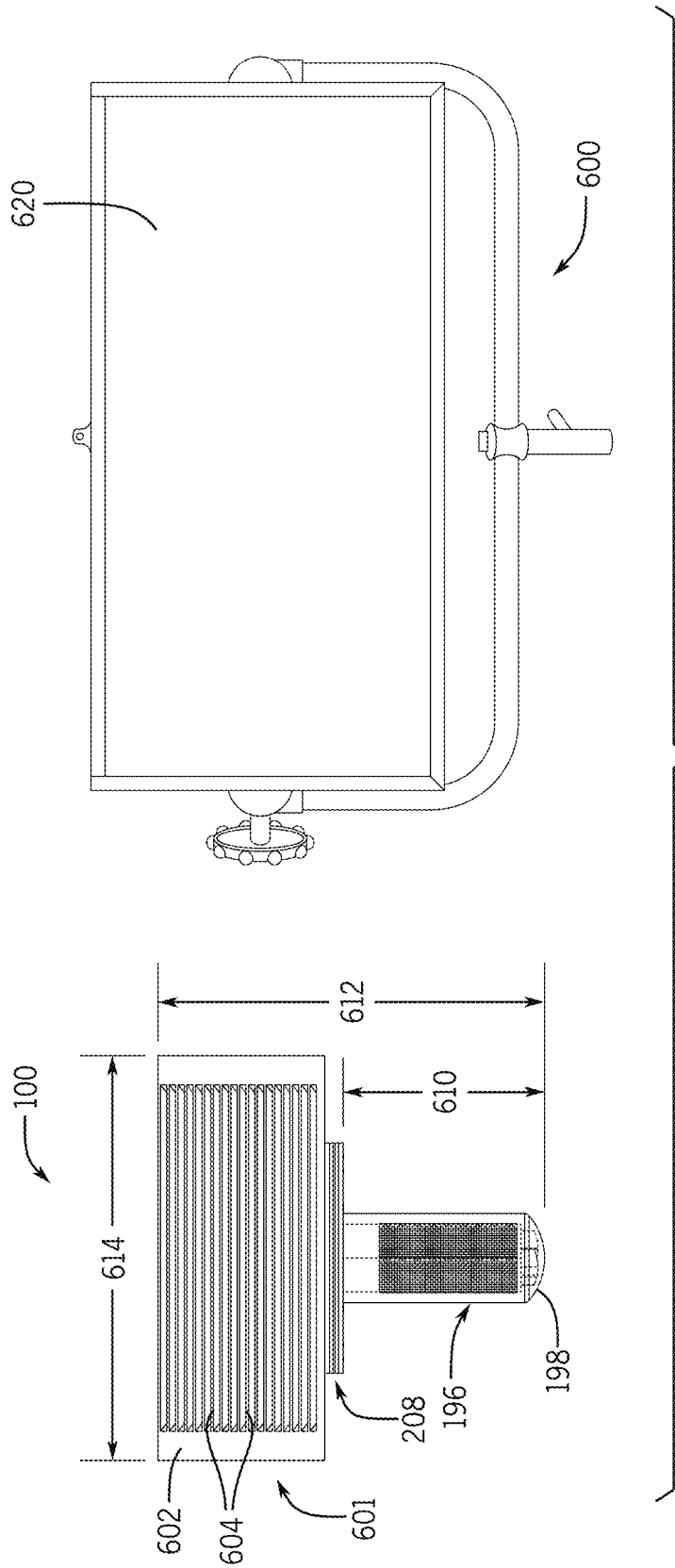


FIG. 11

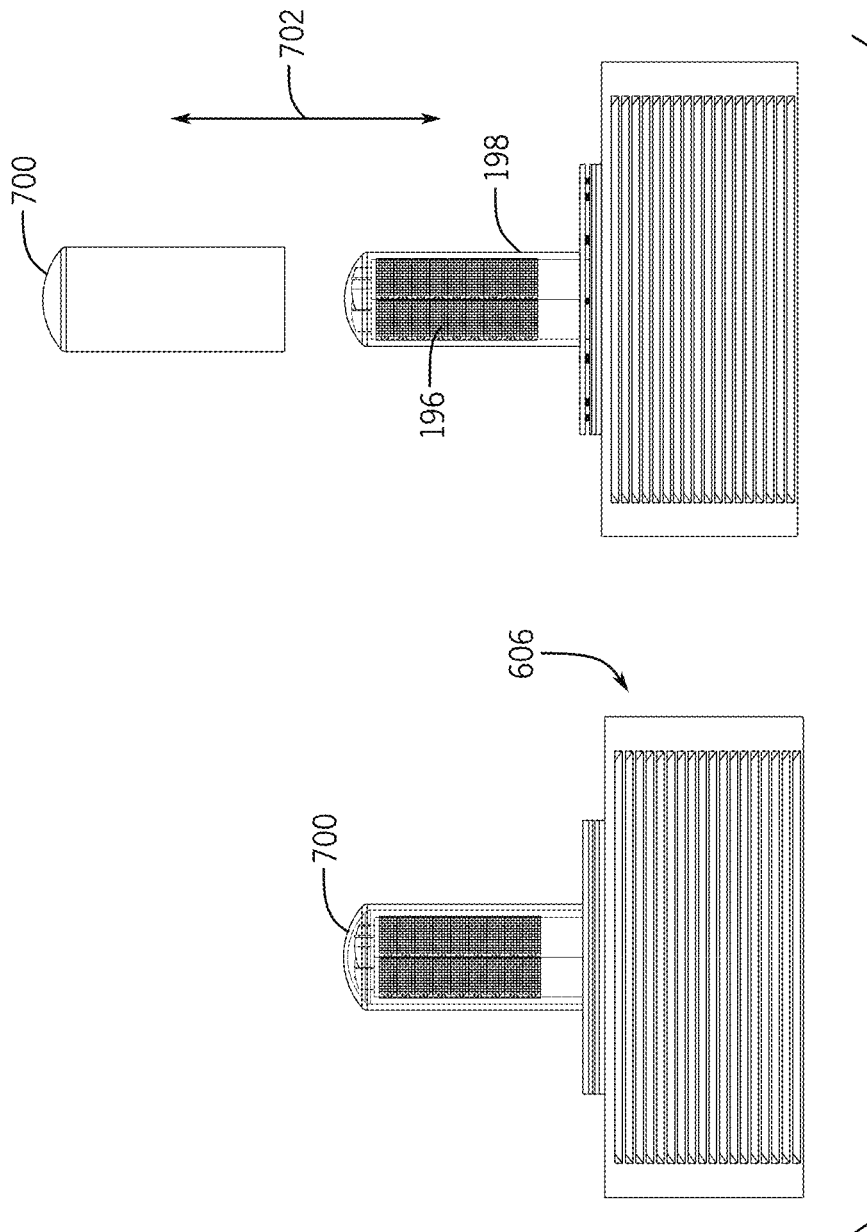
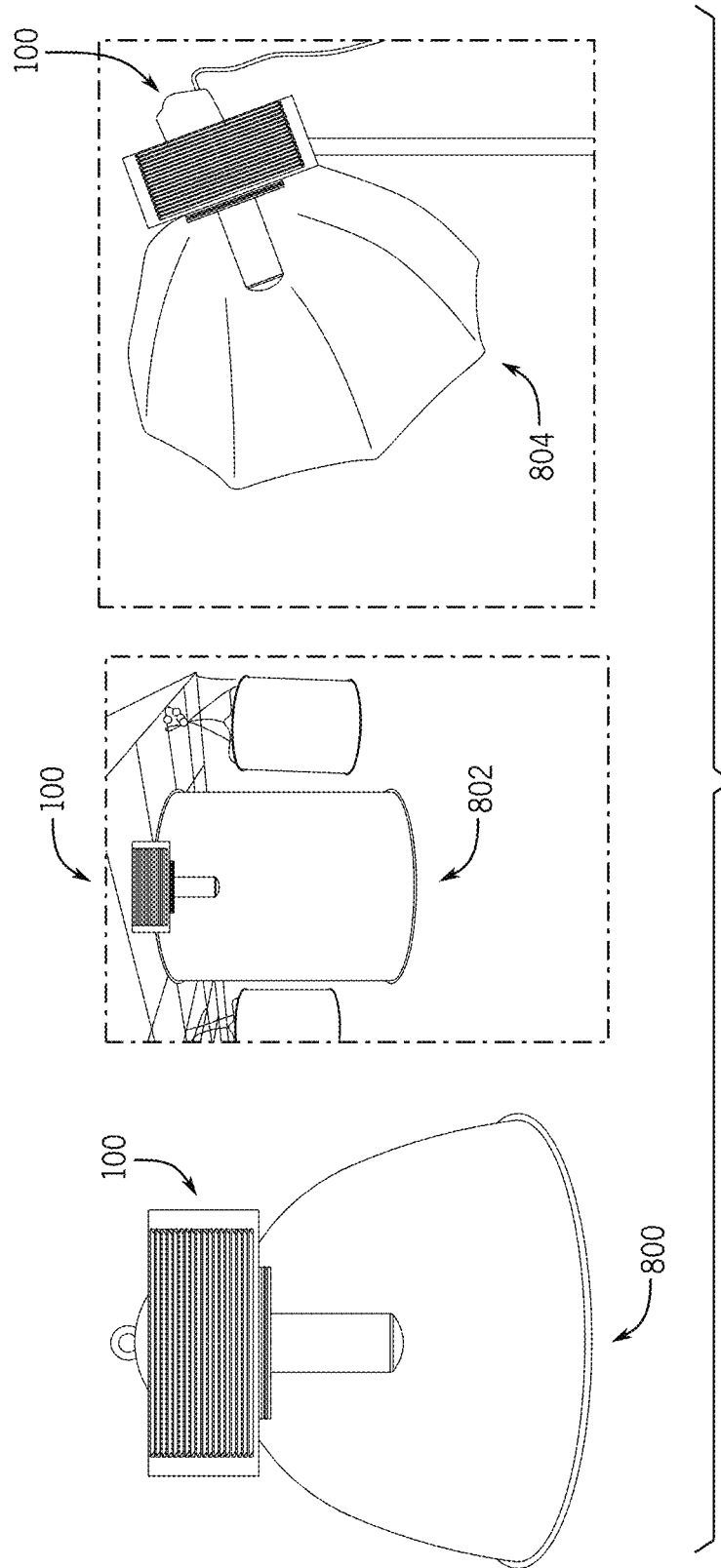
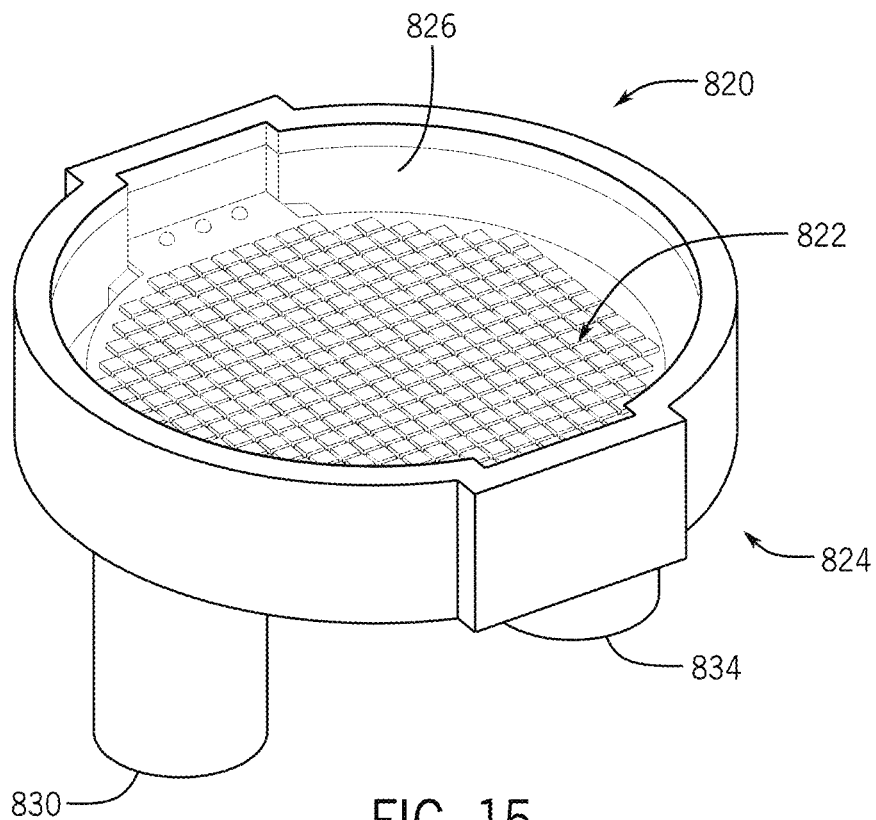
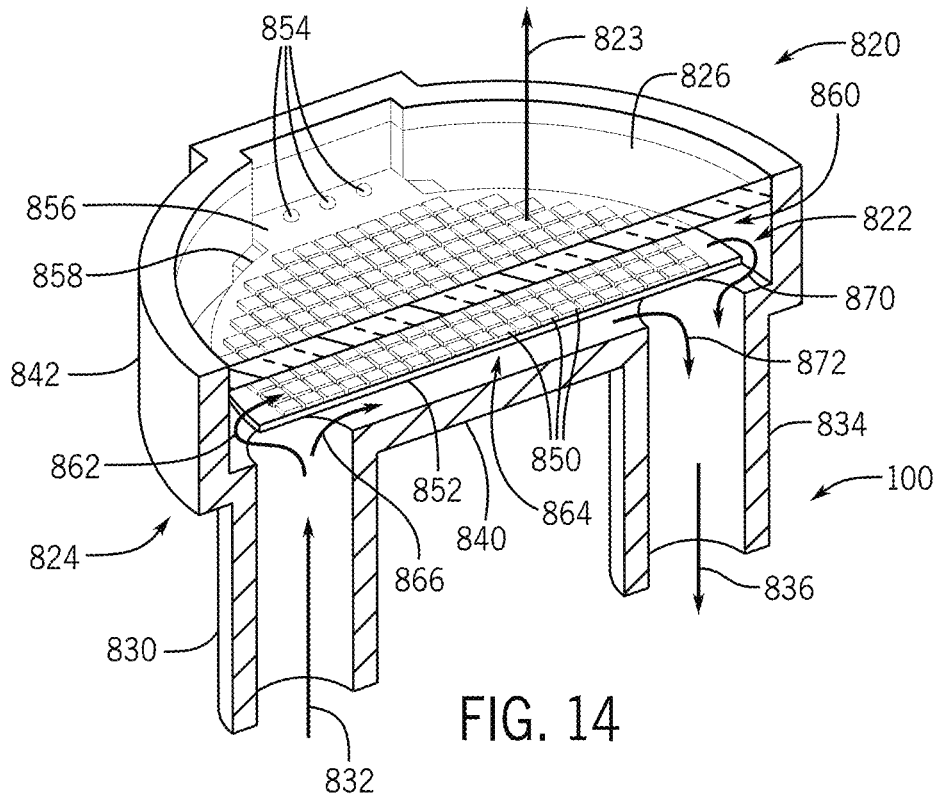


FIG. 12







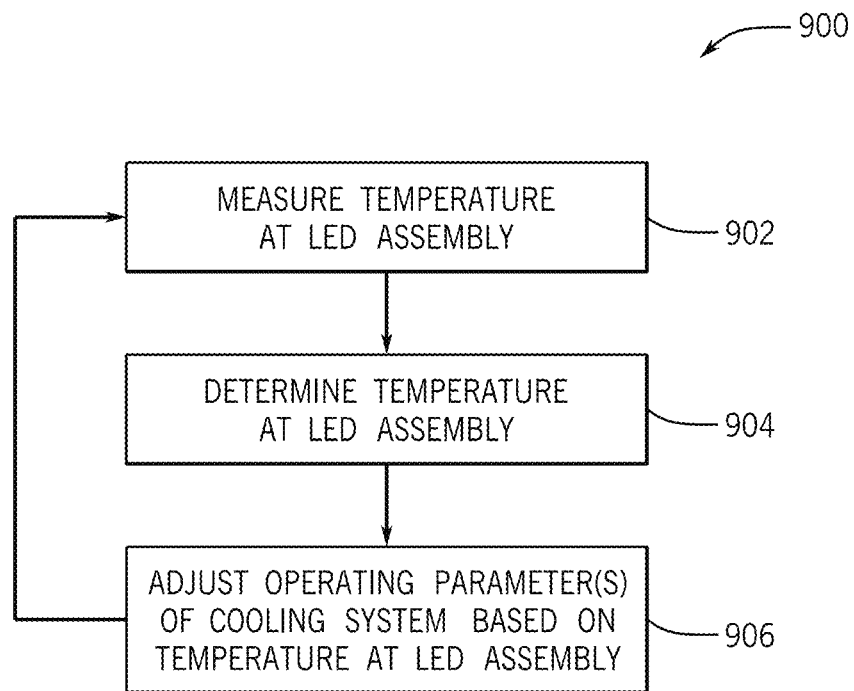


FIG. 16

1

**LIGHT EMITTING DIODE COOLING  
SYSTEMS AND METHODS****CROSS-REFERENCE TO RELATED  
APPLICATIONS**

This application claims priority from and the benefit of U.S. Provisional Patent Application Ser. No. 62/854,161, entitled "LIGHT EMITTING DIODE COOLING SYSTEMS AND METHODS", filed May 29, 2019, which is hereby incorporated by reference.

**BACKGROUND**

The present disclosure relates generally to light cooling systems.

This section is intended to introduce the reader to various aspects of art that may be related to various aspects of the present techniques, which are described and/or claimed below. This discussion is believed to be helpful in providing the reader with background information to facilitate a better understanding of the various aspects of the present disclosure. Accordingly, it should be understood that these statements are to be read in this light, and not as admissions of prior art.

Generally, LED lighting instruments provide lighting for a variety of applications. In some applications, high intensity lighting from LED lighting instruments may be desirable. For example, LED lighting instruments may provide high intensity lighting for motion picture and television sets and studios. To provide such high intensity lighting (e.g., lighting consuming 500 W-1500 W of total power), an arrangement of LEDs within the lighting instruments may be relatively dense and numerous. As the density of LEDs in a given space increase, an amount of heat produced by the LEDs and a temperature of the LEDs may generally increase. Typical Wall Plug Efficiency ("WPE") of blue LEDs used to make white light is 50% such that only 50% of the energy will be converted into photons and the other 50% will be lost as heat. There may be an additional loss when the light is converted from blue light to white by the phosphors. As such, about half of the electrical power provided to LEDs is converted into heat.

Conventional cooling techniques for lighting systems may not sufficiently cool such high intensity LED lighting instruments. Additionally, Chip Scale Packaging ("CSP") technology and Chip on Board ("COB") arrays provide the ability to directly attach LED die to a printed circuit board ("PCB") without a package. Typical LED die are only 1 mm in size (e.g., a length of the die) or less. The LED die are packaged separately, which makes them easier to handle in manufacturing and increases the available area for dissipating heat (e.g., 3 mm×3 mm is a common package for example). In COB and/or CSP technology, an array of LED dies is attached directly to a high-resolution PCB which can dramatically increase the power density. LED arrays with power densities of 80 watts per square inch and higher are produced today with these CSP and COB technologies with higher power densities constantly being developed. LEDs may typically require being maintained at a junction temperature of less than 125 degrees Celsius or they will be damaged. Due to the heat restrictions, the packing density of LEDs in system designs is effectively limited by heat. Traditional air cooling techniques, such as via heat sinks, may not sufficiently cool the LED lighting instruments. Even adding fans to increase airflow over metal heat sinks provides limited heat dissipation. Although the following

2

description describes cooling systems used in LED lighting systems, the cooling systems may be deployed in other lighting systems.

**BRIEF DESCRIPTION**

The light cooling systems and methods disclosed herein provide cooling for an LED assembly. The light cooling systems include a fluid configured to flow over the LED assembly to cool LEDs emitting light and to remove heat produced by the LEDs. A pump of the cooling system may circulate the fluid from the LED assembly to a heat exchanger, configured to remove the heat from the fluid, and back to the LED assembly to continue cooling and removing heat from the LED assembly. Additionally, light cooling methods include controlling the pump to control the flowrate of the fluid through the heat exchanger and over/through the LED assembly.

**DRAWINGS**

These and other features, aspects, and advantages of the present disclosure will become better understood when the following detailed description is read with reference to the accompanying drawings in which like characters represent like parts throughout the drawings.

FIG. 1 is a schematic diagram of an embodiment of a cooling system configured to immersively and actively cool a light emitting diode (LED) assembly, in accordance with one or more current embodiments;

FIG. 2 is a perspective view of an embodiment of a lighting assembly having the LED assembly and the cooling system of FIG. 1, in accordance with one or more current embodiments;

FIG. 3 is a cross-sectional view of the lighting assembly of FIG. 2 having the cooling system and the LED assembly, in accordance with one or more current embodiments;

FIG. 4 is a perspective cross-sectional view of the lighting assembly of FIG. 2 having the cooling system and the LED assembly, in accordance with one or more current embodiments;

FIG. 5 is a perspective view of the LED assembly of FIG. 2, in accordance with one or more current embodiments;

FIG. 6A is a rear perspective view of the lighting assembly of FIG. 2 having the cooling system and the LED assembly, in accordance with one or more current embodiments;

FIG. 6B is a rear perspective view of another embodiment of a lighting assembly having the cooling system of FIG. 1, in accordance with one or more current embodiments;

FIG. 7 is a perspective view of another embodiment of the cooling system and the LED assembly of FIG. 1 including a transparent enclosure, in accordance with one or more current embodiments;

FIG. 8 is a perspective cross-sectional view of the LED assembly and the transparent enclosure of FIG. 7, in accordance with one or more current embodiments;

FIG. 9 is a bottom perspective view of the LED assembly and the transparent enclosure of FIG. 7, in accordance with one or more current embodiments;

FIG. 10 is a partially exploded view of the LED assembly and the transparent enclosure of FIG. 7, in accordance with one or more current embodiments;

FIG. 11 is a side view of the cooling system of FIG. 7 and a side view of an embodiment of a lighting assembly, in accordance with one or more current embodiments;

FIG. 12 includes side views of the cooling system of FIG. 7, in accordance with one or more current embodiments;

FIG. 13 includes perspective views of the cooling system of FIG. 7 coupled to light directing assemblies, in accordance with one or more current embodiments;

FIG. 14 is a perspective cross-sectional view of another embodiment of a lighting assembly having the LED assembly and the cooling system of FIG. 1, in accordance with one or more current embodiments;

FIG. 15 is a perspective view of the lighting assembly of FIG. 14, in accordance with one or more current embodiments; and

FIG. 16 is a flow diagram of an embodiment of a method for controlling the cooling system of FIGS. 1-15, in accordance with one or more current embodiments.

### DETAILED DESCRIPTION

One or more specific embodiments of the present disclosure will be described below. These described embodiments are only examples of the presently disclosed techniques. Additionally, in an effort to provide a concise description of these embodiments, all features of an actual implementation may not be described in the specification. It should be appreciated that in the development of any such actual implementation, as in any engineering or design project, numerous implementation-specific decisions must be made to achieve the developers' specific goals, such as compliance with system-related and business-related constraints, which may vary from one implementation to another. Moreover, it should be appreciated that such a development effort might be complex and time consuming, but may nevertheless be a routine undertaking of design, fabrication, and manufacture for those of ordinary skill having the benefit of this disclosure.

When introducing elements of various embodiments of the present disclosure, the articles "a," "an," and "the" are intended to mean that there are one or more of the elements. The terms "comprising," "including," and "having" are intended to be inclusive and mean that there may be additional elements other than the listed elements. Additionally, it should be understood that references to "one embodiment" or "an embodiment" of the present disclosure are not intended to be interpreted as excluding the existence of additional embodiments that also incorporate the recited features.

Turning now to the drawings, FIG. 1 is a schematic diagram of a cooling system 100 configured to actively cool an LED assembly 102. The cooling system 100 includes an enclosure 104 configured to at least partially enclose and/or house the LED assembly 102 and a heat exchanger 106 fluidly coupled to the enclosure 104. The cooling system 100 also includes a pump 108 configured to circulate fluid (e.g., coolant, mineral oil, water, a hydrocarbon fluid, a silicon fluid, or a combination thereof) along a cooling circuit 110 through the heat exchanger 106, through the enclosure 104, through and/or over the LED assembly 102, and back to the pump 108. In certain embodiments, the cooling system 100 may include the LED assembly 102 or a portion thereof.

The LED assembly 102 may be any assembly including one or more LEDs. For example, to provide lighting for applications such as television and theater sets, film sets, tradeshows, and any one of the range of permanent, semi-permanent, and temporary settings, the LED assembly 102 may include multiple LEDs configured to emit light. While emitting light, the LEDs may produce heat and a tempera-

ture of a surrounding area (e.g., an area adjacent to the LED assembly 102 and/or within/adjacent to the enclosure 104) may generally increase.

During operation, the cooling system 100 is configured to absorb the heat generated by the LED assembly 102 and to transfer the heat to ambient air. For example, as the pump 108 circulates the fluid through the enclosure 104 and/or through the LED assembly 102, the fluid may absorb the heat generated by the LED assembly 102. The heat exchanger 106 may include a radiator and/or fan(s) configured to actively draw ambient air toward/across the heat exchanger 106 and along the cooling circuit 110. In certain embodiments, the heat exchanger 106 may include a second fluid (e.g., in addition to or in place of the ambient air) configured to exchange heat with the fluid flowing along the cooling circuit 110.

The pump 108 may be a variable speed pump configured to circulate the fluid through the cooling circuit 110. In certain embodiments, a housing of the pump 108 may include a flexible diaphragm configured to expand and/or retract based on a volume of the fluid flowing along the cooling circuit 110. For example, as the fluid absorbs heat at and from the LED assembly 102, the fluid may expand (e.g., thermal expansion). As the fluid flows from the LED assembly 102 and the enclosure 104, the flexible diaphragm of the pump 108 may expand to allow of the increased volume of fluid to pass through the pump without affecting the flowrate of the fluid through the pump 108 and along the cooling circuit 110. In some embodiments, the flexible diaphragm of the pump 108 may be a service panel configured to allow access to internal portions of the pump 108. As described in greater detail below, in certain embodiments, the flexible diaphragm may be located elsewhere along the cooling circuit 110 (e.g., in addition to or in place of be located at the pump 108) to facilitate thermal expansion of the fluid in the cooling circuit 110.

The LED assembly 102 is configured to emit light, which may pass through the fluid circulating between the LED assembly 102 and the enclosure 104 and through the enclosure 104. As such, the LED assembly 102 is configured to provide lighting for the various applications described herein (e.g., motion picture and television lighting and other applications that may benefit from high intensity lighting) while being cooled by the cooling system 100. The LEDs of the LED assembly 102 may include varied/multiple configurations. For example, the LED assembly 102 may include chip scale packaging (CSP) arrays (e.g., bi-color CSP arrays). CSP technology may benefit from very high density of LED chips in a specified area (e.g., per square inch/centimeter), and CSP technology may utilize different colors of individual LEDs. For example, CSP technology may include a five color configuration (e.g., warm white, cool white, red, green, and blue), a four color configuration (e.g., white, red, green, and blue), a three color configuration (e.g., red, green, and blue), a bi-color white configuration (e.g., warm white and cool white), a single white configuration, and/or a single color configuration.

In some embodiments, the LED assembly 102 may include single color chip on board ("COB") arrays. The COB arrays may include a relatively large number of LEDs bonded to a single substrate and a layer of phosphor placed over the entire array. An advantage of COB technology is very high LED density per specified area (e.g., per square inch/centimeter). Additionally or alternatively, the LED assembly 102 may include discrete LEDs.

The cooling system **100** includes a controller **120** configured to control the LED assembly **102**, the heat exchanger **106**, the pump **108**, or a combination thereof. For example, the controller **120** may control some or all LEDs of the LED assembly **102** to cause the LEDs to emit light. Additionally, the controller **120** may control operation of the heat exchanger **106** to cause the heat exchanger **106** to exchange more or less heat between the fluid and the ambient air. For example, the controller **120** may control fans of the heat exchanger **106** to control an air flow rate through/over the heat exchanger **106**. In certain embodiments, the fans of the heat exchanger **106** may be controlled via pulse width modulated (PWM) power. The fans may be controlled based on the temperature at the LED assembly **102**. In some embodiments, to reduce a noise output of the fans of the heat exchanger **106**, the controller **120** may operate the fans only when cooling of the fluid by other means (e.g., via the radiator without active airflow) is insufficient.

As illustrated, the cooling system **100** may include a sensor **121** disposed at the LED assembly **102** and configured to output a signal (e.g., an input signal) indicative of the temperature at the LED assembly **102** and/or a temperature of the fluid adjacent to the LED assembly **102**. The sensor **121** may be any suitable temperature/thermal sensor, such as a thermocouple. In certain embodiments, the cooling system **100** may include other thermal sensor(s) disposed within the fluid and configured to output a signal indicative of a temperature of the fluid (e.g., within the enclosure **104**) and/or disposed at the enclosure **104** and configured to output a signal indicative of a temperature at the enclosure **104**.

Further, the controller **120** may control operation of the pump **108** to cause the pump **108** to circulate the fluid along the cooling circuit **110** at particular flowrates. For example, based on the temperature at the LED assembly **102** and/or at the enclosure **104** (e.g., based on the signal indicative of the temperature at the LED assembly **102** received from the sensor **121**), the controller **120** may be configured to output a signal (e.g., an output signal) to the pump **108** indicative of instructions to adjust the flowrate of the fluid flowing through the cooling circuit **110**.

As illustrated, the controller **120** includes a processor **122** and a memory **124**. The processor **122** (e.g., a microprocessor) may be used to execute software, such as software stored in the memory **124** for controlling the cooling system **100** (e.g., for controller operation of the pump **108** to control the flowrate of fluid through the cooling circuit **110**). Moreover, the processor **122** may include multiple microprocessors, one or more “general-purpose” microprocessors, one or more special-purpose microprocessors, and/or one or more application specific integrated circuits (ASICs), or some combination thereof. For example, the processor **122** may include one or more reduced instruction set (RISC) or complex instruction set (CISC) processors.

The memory device **124** may include a volatile memory, such as random-access memory (RAM), and/or a nonvolatile memory, such as read-only memory (ROM). The memory device **124** may store a variety of information and may be used for various purposes. For example, the memory device **124** may store processor-executable instructions (e.g., firmware or software) for the processor **122** to execute, such as instructions for controlling the cooling system **100**. In certain embodiments, the controller **120** may also include one or more storage devices and/or other suitable components. The storage device(s) (e.g., nonvolatile storage) may include ROM, flash memory, a hard drive, or any other

suitable optical, magnetic, or solid-state storage medium, or a combination thereof. The storage device(s) may store data (e.g., measured temperatures at the LED assembly **102**), instructions (e.g., software or firmware for controlling the cooling system **100**), and any other suitable data. The processor **122** and/or the memory device **124**, and/or an additional processor and/or memory device, may be located in any suitable portion of the system. For example, a memory device for storing instructions (e.g., software or firmware for controlling portions of the cooling system **100**) may be located in or associated with the cooling system **100**.

Additionally, the controller **120** includes a user interface **126** configured to inform an operator of the temperature at the LED assembly **102** and/or of the flowrate of the fluid through the cooling circuit **110**. For example, the user interface **126** may include a display and/or other user interaction devices (e.g., buttons) configured to enable operator interactions.

FIG. **2** is a perspective view of an embodiment of a lighting assembly **130** having the cooling system **100** and the LED assembly **102** of FIG. **1**. The lighting assembly **130** includes a reflector **132** (e.g., a parabolic reflector) configured to reflect light emitted by the LED assembly **102**. For example, the light emitted by the LED assembly **102** may pass through the fluid disposed between the LED assembly **102** and the enclosure **104**, through the enclosure **104**, and may be reflected by the reflector **132** outwardly. The reflector **132** is coupled to a chassis **134** (e.g., a housing) of the lighting assembly **130**. In certain embodiments, the LED assembly **102**, the enclosure **104**, and/or other portions of the cooling system **100** may be coupled to the chassis **134**. For example, as described in greater detail below, the heat exchanger **106** and/or the pump **108** of the cooling system **100** may be coupled to the chassis **134**.

FIG. **3** is a cross-sectional view of the lighting assembly **130** of FIG. **2** having the cooling system **100**. As illustrated, the cooling system **100** includes the enclosure **104**, the LED assembly **102** disposed in the enclosure **104**, the heat exchanger **106** configured to exchange heat with the fluid, and the pump **108** configured to drive circulation of the fluid. Additionally, the cooling system **100** includes an inlet pipe **140** coupled to the pump **108** and to a fluid inlet **142** of the enclosure **104**. Further, the cooling system **100** includes an outlet pipe **144** coupled to a fluid outlet **146** of the enclosure **104** and to the heat exchanger **106**. In certain embodiments, the inlet pipe **140** and/or the outlet pipe **144** may extend into the LED assembly **102** and/or into the enclosure **104**.

As illustrated, the fluid inlet **142** is disposed generally along a centerline of the enclosure **104** and the LED assembly **102**. The pump **108** is configured to drive the fluid from the inlet pipe **140**, into the fluid inlet **142**, generally along the centerline of the LED assembly **102** and the enclosure **104**, into and along a gap between the LED assembly **102** and the enclosure (e.g., a gap where the fluid absorbs heat generated by the LED assembly **102**), out of the fluid outlet **146**, and into the outlet pipe **144** (e.g., along the cooling circuit **110**). After absorbing heat at the LED assembly **102**, the fluid circulates through the heat exchanger **106** and returns to the pump **108**. At the heat exchanger **106**, the fluid rejects the heat absorbed at the LED assembly **102**. For example, the heat exchanger **106** includes a radiator **150** and fans **152** configured to draw air (e.g., ambient air) across the radiator **150**. The air drawn across the radiator **150** may absorb heat from the fluid flowing through the radiator **150** (e.g., heat transferred from the fluid to the radiator **150**), thereby

cooling the fluid for subsequent circulation along the cooling circuit **110** and back through the LED assembly **102** and the enclosure **104**.

Additionally, in certain embodiments, the heat exchanger **106** may not reject all the heat absorbed by the fluid at the LED assembly **102**, such that the fluid retains at least some of the heat absorbed at the LED assembly **102**. As such, a temperature of the fluid along the cooling circuit **110** (e.g., an average temperature) may increase, thereby increasing a volume of the fluid. The cooling system **100** includes a flexible membrane **154** at the pump **108** configured to expand due to heating of the fluid and to retract due to cooling of the fluid (e.g., to accommodate volumetric changes of the fluid along the cooling circuit **110**). In certain embodiments, the flexible membrane **154** may be included elsewhere within the cooling system **100**.

The cooling system **100** includes a valve **156** fluidly coupled to the cooling circuit **110**. The valve **156** may be configured to bleed air and/or fluid from the cooling circuit **110**, such as when fluid is added to the cooling circuit **110** (e.g., the valve **156** may be a bleed valve). Additionally or alternatively, fluid may be added to the cooling circuit **110** via the valve **156** (e.g., the valve **156** may be a fill valve). In certain embodiments, the cooling system **100** may include multiple valves **156** with a first valve **156** being a bleed valve and a second valve **156** being a fill valve.

As described above, the controller **120** may be configured to control the LED assembly **102**, the heat exchanger **106**, the pump **108**, or a combination thereof. For example, the controller **120** may control some or all LEDs of the LED assembly **102** to cause the LEDs to emit light. Additionally, the controller **120** may control a rotation rate of the fans **152** and/or a flow rate of the fluid along the cooling circuit **110**. For example, based on feedback received from the sensor **121** at the LED assembly **102** (e.g., the temperature at the LED assembly **102**, the controller **120** may control the rotation rate of the fans **152** and/or the flow rate of the fluid. More specifically, in response the temperature at the LED assembly **102** being greater than a target temperature and a difference between the temperature at the LED assembly **102** and the target temperature exceeding a threshold value, the controller may increase the rotation rate of the fans **152** and/or may increase the flow rate of the fluid. In response the temperature at the LED assembly **102** being less than the target temperature and the difference between the temperature at the LED assembly **102** and the target temperature exceeding a threshold value, the controller may decrease the rotation rate of the fans **152** and/or may decrease the flow rate of the fluid.

FIG. 4 is a perspective cross-sectional view of the lighting assembly **130** of FIG. 2 having the cooling system **100**. As illustrated, the fluid of the cooling system **100** is configured to flow from the inlet pipe **140**, through the fluid inlet **142**, and through an inner annular passage **160** formed within the LED assembly **102** (e.g., in a direction **162**). As such, the fluid enters the LED assembly **102** as a chilled fluid. The inner annular passage **160** is coupled to the fluid inlet **142** and to an end **164** of the LED assembly **102**. From the inner annular passage **160**, the fluid circulates through an end passage **166** formed between the end **164** of the LED assembly **102** and an end **168** of the enclosure **104**, as indicated by arrows **170**. From the end passage **166**, the fluid circulates into an outer annular passage **172** formed between the LED assembly **102** and the enclosure **104**, as indicated by arrow **174**. As the fluid flows through the outer annular passage **172**, the fluid absorbs heat generated by the LED assembly **102**. From the outer annular passage **172**, the fluid

exits the enclosure **104** through the fluid outlet **146** and flows into the outlet pipe **144**. As such, the fluid exits the enclosure **104** as a heated fluid. After passing through the heat exchanger **106** and the pump **108** of the cooling system **100**, the fluid circulates back to through the LED assembly **102** and the enclosure **104** to continue cooling the LED assembly **102**.

The lighting assembly **130** is a side emission configuration of the lighting assembly, such that the lighting assembly **130** is configured to emit light radially outwardly (e.g., from sides of the lighting assembly **130**) and through the fluid and the enclosure **104**. As described in greater detail below in reference to FIGS. 14 and 15, the cooling system **100** may include a front emission configuration of the lighting assembly, such as in place of or in addition to the side emission configuration of FIGS. 2-5.

FIG. 5 is a perspective view of the LED assembly **102** of FIG. 2. As illustrated, the LED assembly **102** includes a tower **180** and LED arrays **182** mounted to the tower **180**. As illustrated, the tower **180** is a hexagonal structure formed by panels **184** (e.g., six panels **184**) with nine LED arrays **182** mounted on each panel **184**. In certain embodiments, the tower may include more or fewer panels **184** (e.g., three panels **184**, four panels **184**, eight panels **184**, etc.) and/or each panel **184** may include more or fewer LED arrays **182** (e.g., one LED array **182**, two LED arrays **182**, five LED arrays **182**, twenty LED arrays **182**, etc.). In some embodiments, the tower **180** may be shaped differently in other embodiments and/or may be omitted. For example, the LED arrays **182** may be mounted directly to the enclosure **104** in some embodiments. In certain embodiments, the LED assembly **102** may include other LED configurations in addition to or in place of the LED arrays **182**.

The LED arrays **182** of the LED assembly **102** are configured to emit light outwardly through the fluid flowing between the LED assembly **102** and the enclosure **104** (e.g., through the outer annular passage **172** formed between the LED assembly **102** and the enclosure **104**) and through the enclosure **104**. The fluid may be transparent or semi-transparent such that the fluid is configured to allow the light to pass through the fluid toward the enclosure **104**. For example, the fluid may be a dielectric and/or electrically insulating fluid having a refractive index of between 1.4 and 1.6. In some embodiments, the enclosure **104** enclosing the fluid may be acrylic, polycarbonate, glass (e.g., borosilicate glass), or another material having a refractive index between about 1.44-1.5. In certain embodiments, the LEDs of the LED arrays **182** may include silicone (e.g., a silicone layer) through which light emitted by the LEDs passes. The silicone may have a refractive index of about 1.38-1.6. As such, a type of fluid (e.g., the fluids having the refractive indices recited above) may facilitate light passage from the LEDs, through the fluid, and toward the enclosure **104**. Additionally, the refractive index of the layer of the LED (e.g., the silicone), the fluid, and/or the enclosure **104** may generally be matched (e.g., within a difference threshold). In some embodiments, the fluid and/or the enclosure **104** may behave as lens configured to optically shape light provided by the LED assembly **102**. For example, the fluid and/or the enclosure **104** having the specific refractive indices described above may allow the fluid and/or the enclosure to shape the light in a desirable manner.

Additionally or alternatively, the fluid may include a mineral oil having a relatively long shelf life (e.g., about twenty-five years) or a fluid having properties similar to mineral oil. The fluids may be non-corrosive such that the fluids facilitate pumping along the cooling circuit **110** by the

pump **108** and compatible with plastics and other system materials. Further, such fluids may generally have a relatively low viscosity, which may allow directly cooling the electronics of the LED assembly **102** (e.g., the LED arrays **182**, wiring coupled to the LED arrays **182** and to printed circuit boards (“PCB’s”), and other electronic components of the LED assembly **102**) without affecting the performance/functionality of the electronics. In certain embodiments, the type of the fluid included in the cooling circuit **110** may depend on an amount of LED arrays **182** and/or an amount of LEDs generally included in the LED assembly **102**, a structure/geometry of the LED assembly **102**, a density of LEDs of the LED assembly **102**, an amount of heat generated by the LED assembly **102**, or a combination thereof. During operation, the LED arrays **182** of the LED assembly **102** may have a power density of between 20 W-300 W per square inch, between 50 W-250 W per square inch, and other suitable power densities. In an aspect, each LED array **182** may have a surface area of 4 square inches or less. Due to the cooling systems mentioned herein, the LED arrays **182** may be operated at the aforementioned power densities for longer than 30 seconds, 1 minute, 1 hour, and 100 hours. In some embodiments, the LED assembly **102** may have a total power of 400 W-5000 W.

In some embodiments, the refractive index of the fluid disposed between the LED arrays **182** and the enclosure **104** may cause light to more easily leave the LED arrays **182** compared to an embodiment in which the LED arrays **182** are exposed to air. This may result in a color shift of the light emitted from the LED arrays **182**. The controller **120** may control the LED arrays **182** (e.g., the colors and/or color temperatures of the LED arrays **182**) based on the potential color shift of the emitted light.

The enclosure **104** may include clear, transparent, and/or semi-transparent materials such that the light emitted by the LED assembly **102** may pass through the enclosure **104** (e.g., after passing through the fluid disposed within and/or flowing through the outer annular passage **172**) and outwardly from the enclosure **104**. For example, the enclosure **104** may be formed of a clear plastic and/or glass (e.g., borosilicate glass). In certain embodiments, the enclosure **104** may include poly(methyl methacrylate) (“PMMA”) and/or other acrylics.

As illustrated, the LED assembly **102** includes printed circuit boards (“PCBs”) **190** coupled to a base PCB **192**, the LED arrays **182**, and the end **164** (e.g., end plate) of the LED assembly **102**. For example, each PCB **190** extends generally along a respective panel **184** and is coupled (e.g., physically and electrically coupled via connectors **193**) to the LED arrays **182** coupled to the respective panel **184**. Each connector **193** is coupled to a respective LED array **182** at connections **194**. In certain embodiments, each LED array **182** may be configured to snap/click into place on the panel **184**. For example, each panel **184** may include features configured to receive the LED arrays **182** via a snap or click mechanism to facilitate assembly of the LED assembly **102**.

FIG. 6A is a rear perspective view of the lighting assembly **130** of FIG. 2 having the cooling system **100**. As generally described above, the cooling system **100** includes the inlet pipe **140** configured to flow fluid (e.g., chilled fluid) into the LED assembly **102** and the enclosure **104** and the outlet pipe **144** configured to receive fluid (e.g., heated fluid) from the LED assembly **102** and the enclosure **104**. The fluid circulates from the outlet pipe **144**, through the radiator **150** of the heat exchanger **106**, through the pump **108**, and back to the inlet pipe **140**. As illustrated, the cooling system

includes four fans **152** configured to draw air across the radiator **150** to cool the fluid passing through the radiator **150**. In certain embodiments, the cooling system may include more or fewer fans **152** (e.g., one fan **152**, two fans **152**, three fans **152**, five fans **152**, ten fans **152**, etc.). The fans **152** are positioned above the radiator **150**, such that the heat transferred from the fluid passing through the radiator **150** moves generally upwardly toward/through the fans **152**. Additionally, the heat exchanger **106** and the pump **108** are mounted to the chassis **134** of the lighting assembly **130**.

FIG. 6B is a rear perspective view of an embodiment of a lighting assembly **187** having the cooling system **100** of FIG. 1. The lighting assembly **187** includes the inlet pipe **140** configured to flow fluid (e.g., chilled fluid) into the LED assembly **102** and the enclosure **104** and the outlet pipe **144** configured to receive fluid (e.g., heated fluid) from the LED assembly **102** and the enclosure **104**. The fluid circulates from the outlet pipe **144** to the radiator **150**, through the radiator **150**, to an intermediate pipe **189**, through an expansion chamber **188** coupled to the intermediate pipe **189**, and back to the inlet pipe **140** via the pump **108**. The expansion chamber **188** is configured to expand due to heating of the fluid and to retract due to cooling of the fluid (e.g., to accommodate volumetric changes of the fluid along the cooling circuit **110**). In certain embodiments, the expansion chamber **188** may be included elsewhere along the cooling circuit **110**, such as along the inlet pipe **140** and/or along the outlet pipe **144**.

As illustrated, the lighting assembly **187** includes a first bracket **191** coupled to the radiator **150** and the expansion chamber **188** and a second bracket **195** coupled to the radiator **150** and the pump **108**. The radiator **150** and the expansion chamber **188** are mounted to the first bracket **191**, and the first bracket **191** is mounted to the chassis **134**, such that the first bracket **191** is configured to support a weight of the expansion chamber **188** and/or at least a portion of a weight of the radiator **150** (e.g., to transfer forces associated with the weight(s) to the chassis **134**). Additionally, the radiator **150** and the pump **108** are mounted to the second bracket **195**, and the second bracket **195** is mounted to the chassis **134**, such that the second bracket **195** is configured to support a weight of the pump **108** and/or at least a portion of the weight of the radiator **150** (e.g., to transfer forces associated with the weight(s) to the chassis **134**).

FIG. 7 is a perspective view of an LED assembly **196** and an enclosure **198** that may be included the cooling system **100** of FIG. 1. As illustrated, the LED assembly **196** is disposed within the enclosure **198**. The LED assembly **196** includes a fluid inlet **200** configured to receive the fluid flowing along the cooling circuit **110** (e.g., as indicated by arrow **202**) and a fluid outlet **204** configured to flow the fluid from the enclosure and the LED assembly **196** to the cooling circuit **110** (e.g., as indicated by arrow **206**) (although the fluid direction may be reversed such that the fluid enters through the fluid outlet **204**, for example, and exits through the fluid inlet **200**). Additionally, the enclosure **198** includes a base **208** and a cylinder **210** extending from the base **208**. In certain embodiments, the LED assembly **196** and/or the enclosure **198** of the cooling system **100** may be included in the lighting assembly of FIGS. 2-6.

The LED assembly **196** includes a tower **220** and the LED arrays **182** mounted to the tower **220**. As illustrated, the tower **220** is a hexagonal structure with nine LED arrays **182** mounted on each of the six sides of the hexagonal structure. In certain embodiments, the tower **220** may include more or fewer sides (e.g., three sides, four sides, eight sides, etc.) and/or each side may include more or fewer LED arrays **182**

(e.g., one LED array **182**, two LED arrays **182**, five LED arrays **182**, twenty LED arrays **182**, etc.). In some embodiments, the tower **220** may be shaped differently in other embodiments and/or may be omitted. For example, the LED arrays **182** may be mounted directly to the enclosure **198** in some embodiments. In certain embodiments, the LED assembly **196** may include other LED configurations in addition to or in place of the LED arrays **182**.

The LED arrays **182** of the LED assembly **196** are configured to emit light outwardly through the fluid flowing between the LED assembly **196** and the enclosure **198** (e.g., through an outer annular passage **224** of the cooling system **100**) and through the enclosure **198**. In some embodiments, the enclosure **198** enclosing the fluid may be acrylic, polycarbonate, glass (e.g., borosilicate glass), or another material having a refractive index between about 1.44-1.5. Additionally, the refractive index of the layer of the LED (e.g., the silicone), the fluid, and/or the enclosure **198** may generally be matched (e.g., within a difference threshold).

The enclosure **198** may include clear, transparent, and/or semi-transparent materials such that the light emitted by the LED assembly **196** may pass through the enclosure **198** (e.g., after passing through the fluid disposed within and/or flowing through the outer annular passage **224**) and outwardly from the enclosure **198**. For example, the enclosure **198** may be formed of a clear plastic and/or glass (e.g., borosilicate glass). In certain embodiments, the enclosure **198** may include poly(methyl methacrylate) ("PMMA") and/or other acrylics.

The cooling system **100** is configured to flow the fluid into the fluid inlet **200**, through the outer annular passage **224** between the LED assembly **196** and the enclosure **198**, and toward an end **230** of the tower **220**. The end **230** is disposed generally opposite of the base **208**. The tower **220** includes an inner annular passage **232** extending from the end **230** to the base **208**. As illustrated, the inner annular passage **232** is fluidly coupled to the outer annular passage **224** at the end **230** of the tower **220**. The cooling system **100** is configured to flow the fluid from the outer annular passage **224** and into the inner annular passage **232** via the end **230**. The inner annular passage **232** is fluidly coupled to the fluid outlet **204** such that the fluid may pass through the tower **220**, via the inner annular passage **232**, and out of the tower **220** and the enclosure **198** at the fluid outlet **204**.

As the fluid passes over and through the LED assembly **196** (e.g., over the LED arrays **182** and through the tower **220**), the fluid is configured to absorb heat generated by operation of the LED arrays **182**. For example, because the fluid is configured to absorb heat generated by the LED arrays **182** while flowing through both the outer annular passage **224** and the inner annular passage **232**, the cooling system **100** is configured to significantly increase an amount of heat that may be absorbed compared to embodiments of cooling systems that extract heat only from an interior or exterior of a light source. Additionally, because the fluid is generally transparent and/or semi-transparent (e.g., the fluid has a refractive index generally between 1.4-1.5), the fluid may have minimal/no effects on the light emitted from the LED assembly **196** and through the fluid. As such, the fluid may actively cool the LED assembly **196** during operation of the LED assembly **196** with little to no effect on a quality of light emitted from the LED assembly **196**.

The LED assembly **196** is a side emission configuration of a lighting assembly, such that the LED assembly **196** is configured to emit light radially outwardly (e.g., from sides of the LED assembly **196**) and through the fluid and the enclosure **198**. As described in greater detail below in

reference to FIGS. **14** and **15**, the cooling system **100** may also include a front emission configuration of the lighting assembly, such as in place of or in addition to the side emission configuration of FIGS. **7-10**.

FIG. **8** is a perspective cross-sectional view of the LED assembly **196** and the enclosure **198** of FIG. **7**. As described above, the enclosure **198** is configured to receive the fluid from the pump **108** through the fluid inlet **200**. The fluid is then configured to contact the tower **220** and a base **300** of the LED assembly **196** coupled to the tower **220**. The tower **220** and the base **300** are configured to direct the fluid upwardly along the outer annular passage **224**. The fluid is then configured to flow through the end **230** and into the inner annular passage **232**. As illustrated, the inner annular passage **232** is formed between and by the tower **220** and PCBs **302** of the LED assembly **196**. The fluid is configured to flow downwardly within the inner annular passage **232** toward a base PCB **304** electrically coupled to the PCBs **302**. After passing over the PCBs **302** and/or the base PCB **304**, the fluid is configured to exit the tower **220** and the enclosure **198** at the fluid outlet **204**. As mentioned with respect to FIG. **7**, the fluid direction may be reversed such that the fluid may be configured to flow in through the fluid outlet **204**, up through the inner annular passage **232**, through the end **230**, and down the outer annular passage **224**, and out the fluid inlet **200**.

The PCBs **302** may be electrically coupled to the LED arrays **182** such that the PCBs **302** may provide power and/or communication with the LED arrays **182**. For example, the LED assembly **196** may include wiring extending outwardly between the PCBs **302** and the LED arrays **182**. As such, the fluid may flow over the PCBs **302** and the wiring extending between the PCBs **302** and the LED arrays **182** to cool and absorb heat from the tower **220** (e.g., heat generated by the LED arrays **182** that is transferred to/absorbed by the tower **220**), from the PCBs **302**, and/or from the wiring. Additionally, the fluid may flow over the base PCB **304** and may absorb heat from the base PCB **304**. For example, the base PCB **304** includes a wet side **306** configured to contact the fluid and a dry side generally opposite the wet side **306** that is configured to remain dry (e.g., to not contact the fluid). As generally described above, the fluid may be dielectric and/or electrically insulating such that the fluid may have minimal/no electrical effects on the LED arrays **182**, the PCBs **302**, the base PCB **304**, and the wiring of the LED assembly **196**.

FIG. **9** is a bottom perspective view of the LED assembly **196** and the enclosure **198** of FIG. **7**. As illustrated, the base PCB **304** includes a dry side **400** configured to remain generally dry (e.g., to not contact the fluid during operation of the cooling system **100**). The LED assembly **196** includes a gasket **402** configured to form a seal between the enclosure **198** and the LED assembly **196** (e.g., between the base **208** of the enclosure **198** and the base PCB **304** of the LED assembly **196**). As such, the LED assembly **196** may remain dry at the dry side **400** of the base PCB **304**, and the cooling system **100** may be configured to flow the fluid through the enclosure **198** and the tower **220** without leaking fluid.

FIG. **10** is a partially exploded view of the LED assembly **196** and the enclosure **198** of FIG. **7**. The LED assembly **196** is configured to insert into and to be removed from the enclosure **198** as generally indicated by arrow **500**. For example, to replace portions of the LED assembly **196** (e.g., the LED arrays **182**, the PCBs **302**, the base PCB **304**, wiring, etc.), the LED assembly **196** and the enclosure **198** may be disassembled by removing the LED assembly **196**



from the enclosure 198 along an axis generally parallel to arrow 500. Additionally, while the LED assembly 196 and the enclosure 198 are disposed in the illustrated positions (e.g., with the LED assembly 196 and the enclosure 198 extending downwardly), the LED assembly 196 may be removed from the enclosure 198 with a minimal loss and/or splashing of the fluid using threaded enclosures, a gasket, a latch, and/or other securing mechanisms. To assemble/reassemble the LED assembly 196 into the enclosure 198, the LED assembly 196 may be inserted into the enclosure 198 along the axis generally parallel to the arrow 500. Thus, the configuration and coupling of the LED assembly 196 and the enclosure 198 described herein may facilitate quick and easy maintenance of the LED assembly 196.

FIG. 11 is a side view of the cooling system 100 of FIG. 7 and a side view of a lighting assembly 600. As illustrated, the base 208 of the enclosure 198 is coupled to a heat exchanger 601. After absorbing heat from and at the LED assembly 196, the fluid is configured to flow into and through the heat exchanger 601. The heat exchanger 601 includes a radiator 602 configured to exchange heat from the fluid to ambient air adjacent to the heat exchanger 601. The heat exchanger 601 may include the radiator 602 on each of four sides of the heat exchanger 601 (e.g., four radiators 602). In certain embodiments, the heat exchanger 601 may include more of fewer sides with each side having the radiator 602. The radiator 602 includes fins 604 configured to transfer heat from the fluid (e.g., to absorb heat from the fluid) to the ambient air. In some embodiments, the heat exchanger 601 may include other shapes configured to cool the fluid (e.g., a sphere, a cylinder, etc.).

The LED arrays 182 of the LED assembly 196 extend outwardly from the base 208 of the enclosure 198 a distance 610. In certain embodiments, the distance 610 may be between about three inches and about nine inches. In some embodiments, the distance 610 may be about five and one-half inches. Additionally, the cooling system 100 extends a generally vertical distance 612 and a generally horizontal distance 614. In certain embodiments, the generally vertical distance 612 may be between about ten inches and about twenty inches, and/or the generally horizontal distance 614 may be between about seven inches and about seventeen inches. In some embodiments, the generally vertical distance 612 may be fourteen inches, and/or the generally horizontal distance 614 may be twelve inches.

The lighting assembly 600 is a prior art lighting assembly having a lighting area 620 configured to emit light. A back portion of the lighting area 620 may be a heat sink configured to absorb/transfer heat from the lighting area 620. As illustrated, the cooling system 100 is generally smaller and more compact than the lighting area 620 and the heat sink of the lighting assembly 600. Additionally, as generally described above, the cooling system 100 is configured to provide sufficient cooling for the LED assembly 196 as the LED assembly 196 operates at 1500 W. The lighting assembly 600 may be configured to provide cooling for lights of the lighting area 620 operating at 400 W. As such, the cooling system 100 may be more versatile than the lighting assembly 600, and prior art lighting assemblies generally, by providing a more compact design configured to operate at significantly higher powers. In certain embodiments, the LED assembly 102 and/or the enclosure 104 of the cooling system 100 may be coupled to the heat exchanger 601, such that the heat exchanger 601 is configured to exchange heat with the fluid circulating through the LED assembly 102 and the enclosure 104.

FIG. 12 includes side views of the cooling system 100 of FIG. 7. The cooling system 100 includes a cover 700 configured to fit over/onto the enclosure 198. The cover 700 includes materials configured to convert a color correlated temperature (“CCT”) of light emitted by the LED assembly 196. For example, the cover 700 may include and/or be formed of phosphor and may be configured to convert a cool white CCT of about 5600K to a warmer white CCT of about 4300K, about 3200K, and other CCT’s. In certain embodiments, the cover 700 may be injection molded plastic, silicone, coated glass, or a combination thereof. In certain embodiments, the cover 700 may fit over/onto the enclosure 104, such that the cover 700 converts a CCT of light emitted by the LED assembly 102 through the enclosure 104.

The cover 700 is configured to slide onto and off of the enclosure 198, as generally noted by arrow 702. For example, the cover 700 may be easily field changeable such that an operator may slide the cover 700 onto and off of the enclosure 198. Additionally, light produced by a low cost single color version of the LED assembly 196 may easily be converted to any CCT with the addition of the cover 700, which may be of relatively low cost. Further, the cover 700 may be significantly more power efficient compared to traditional embodiments, because the cover 700 is not a filter removing a portion of light emitted by the LED assembly 196. Instead, the cover 700 is configured to convert light to a desired color and CCT.

In certain embodiments, the LED assembly 196 may be configured to emit a blue light, cool white light (e.g., 5000K or higher), or other colors. The cover 700 may be adapted for any suitable color and/or white such that light emitted from a single-color version of the LED assembly 196 (e.g., a blue light LED assembly 196 or a cool white light LED assembly 196) may be converted into any CCT and/or any color with no change to the LED assembly 196 or other electronics of the cooling system 100.

As illustrated, the cover 700 is configured to contact the enclosure 198 while the cover 700 is disposed on the enclosure 198. The contact between enclosure 198 and the cover 700 may allow the enclosure 198 to transfer heat to the cover 700. The fluid flowing within the enclosure 198 may be configured to cool both enclosure 198 and the cover 700 (e.g., the fluid may absorb heat from the enclosure 198 to facilitate cooling of the cover 700).

FIG. 13 includes perspective views of the cooling system 100 of FIG. 7 coupled to light directing assemblies 800, 802, and 804 configured to direct light emitted by the LED assembly 102 of the cooling system 100. For example, the light directing assembly 800 is a high bay assembly configured to be disposed in building setting and to direct light emitted by the LED assembly 102 downwardly. The light directing assembly 802 is a space light directing assembly configured to be disposed in a studio to provide environment lighting. Additionally, the light directing assembly 804 is an umbrella assembly configured to be disposed in a studio and to generally focus light emitted by the LED assembly 102.

FIG. 14 is a perspective cross-sectional view of another embodiment of a lighting assembly 820 having an LED assembly 822 and the cooling system 100 of FIG. 1. The lighting assembly 820 is a front emission configuration of a lighting assembly that may be included in the cooling system 100, such that the lighting assembly 820 is configured to emit light outwardly through a front portion of the lighting assembly 820, as indicated by arrow 823, rather than through side of a lighting assembly (e.g., as in lighting assembly embodiments of FIGS. 2-13). Accordingly, the

cooling system **100** may include a lighting assembly having a side emission configuration, a front emission configuration, and/or others.

The lighting assembly **820** includes a chassis **824** configured to receive and flow the fluid to cool the LED assembly **822**. As illustrated, the LED assembly **822** is disposed within and mounted to the chassis **824**. Additionally, the lighting assembly **820** includes a cover **826** coupled to the chassis **824**. The cover **826** is configured to at least partially enclose the lighting assembly **820**, such that the cover **826** directs the fluid through the lighting assembly **820** and over the LED assembly **822**. Additionally, the cover **826** may include clear, transparent, and/or semi-transparent materials such that the light emitted by the LED assembly **822** may pass through the cover **826** (e.g., after passing through the fluid) and outwardly from the cover **826**. For example, the cover **826** may be formed of a clear plastic and/or glass (e.g., borosilicate glass). In certain embodiments, the cover **826** may include poly(methyl methacrylate) (“PMMA”) and/or other acrylics and/or other materials described herein.

The chassis **824** includes a fluid inlet **830** configured to receive the fluid flowing along the cooling circuit **110** (e.g., as indicated by arrow **832**) and a fluid outlet **834** configured to flow the fluid from the chassis **823** to the cooling circuit **110** (e.g., as indicated by arrow **836**) (although the fluid direction may be reversed such that the fluid enters through the fluid outlet **834**, for example, and exits through the fluid inlet **832**). Additionally, the chassis **824** includes a base **840** and a cylinder **842** extending from the base **840**. The base **840** includes the fluid inlet **830** and the fluid outlet **834**. In certain embodiments, the LED assembly **822** and/or the chassis **824** may be included in the lighting assembly and/or LED assembly of FIGS. 2-13.

The LED assembly **822** includes LEDs **850** mounted to a PCB **852**. The PCB **852** is mounted to the chassis **824** via connections **854**. For example, the PCB **852** includes a tab **856** extending over a ledge **858** of the chassis **824**. The connections **854** secure the LED assembly **822** to the ledge **858**. Additionally, the connections **854** may be electrical connections configured to provide power and/or electrical connections to the LEDs **850**. In certain embodiments, the PCB **852** may include an additional tab **856** disposed generally opposite the illustrated tab **856** and configured to mount to an additional ledge **858** of the chassis **824**. However, the additional tab **856** and the additional ledge **858** are omitted in FIG. 14 for purposes of clarity.

The LEDs **850** of the LED assembly **822** are configured to emit light outwardly through the fluid flowing between the LED assembly **822** and the cover **826** (e.g., through an upper passage **860** of the cooling system **100**) and through the cover **826**. In some embodiments, the cover **826** enclosing the fluid may be acrylic, polycarbonate, glass (e.g., borosilicate glass), or another material having a refractive index between about 1.44-1.5. Additionally, the refractive index of the LEDs **850** (e.g., the silicone), the fluid, and/or the cover **826** may generally be matched (e.g., within a difference threshold).

The cooling system **100** is configured to flow the fluid into the fluid inlet **832**, into the upper passage **860** extending between the LED assembly **822** and the cover **826** (e.g., as indicated by arrow **862**), and into a lower passage **864** extending between the LED assembly **822** and the base **840** of the chassis **824** (e.g., as indicated by arrow **866**). The fluid is configured to absorb heat generated by the LED assembly **822** (e.g., due to operation of the LEDs **850** and the PCB **852** and the light emitted by the LEDs **850**) as the fluid flow through the upper passage **860** and the lower passage **864**.

Additionally, because the fluid is generally transparent and/or semi-transparent (e.g., the fluid has a refractive index generally between 1.4-1.5), the fluid may have minimal/no effects on the light emitted from the LED assembly **822** and through the fluid. As such, the fluid may actively cool the LED assembly **822** during operation of the LED assembly **822** with little to no effect on a quality of light emitted from the LED assembly **822**.

The cooling system **100** is configured to flow the fluid from the upper passage **860** and into the fluid outlet **834**, as indicated by arrow **870**, and from the lower passage **864** into the fluid outlet **834**, as indicated by arrow **872**. After flowing the fluid over the LED assembly **822** and into the fluid outlet **834**, the pump **108** circulates the fluid through a heat exchanger **106** of the cooling system **100**, for example, to cool the fluid.

FIG. 15 is a perspective view of the lighting assembly **820** of FIG. 14. As described above, the cooling system **100** is configured to circulate the fluid into the fluid inlet **830** of the chassis **824**, over the LED assembly **822** of the lighting assembly **820**, and through the fluid outlet **834**, thereby cooling the LED assembly **822**. Accordingly, the lighting assembly **820** of FIGS. 14 and 15 provides a front emission configuration of a lighting assembly and LED assembly that may be cooled via the cooling system **100**.

FIG. 16 is a flow diagram of a method **900** for controlling the cooling system **100** of FIG. 1. For example, the method **900**, or portions thereof, may be performed by the controller **120** of the cooling system **100**. The method **900** begins at block **902**, where the temperature at an LED assembly (e.g., the LED assembly **102/196**) is measured. The sensor **121** may measure the temperature and output a signal (e.g., an input signal to the controller **120**) indicative of the temperature at or adjacent to the LED assembly (e.g., a temperature at a surface of the LED assembly, a temperature of the fluid adjacent to and/or flowing over the LED assembly, a temperature at a surface of the enclosure **104/198**, etc.). The controller **120** may receive the signal indicative of the temperature.

At block **904**, the temperature at the LED assembly is determined. Block **904** may be performed in addition to or in place of block **902**. For example, block **902** may be omitted from the method **900**, and the sensor **121** may be omitted from the cooling system **100**. The controller **120** may be configured to determine the temperature at the LED assembly based on whether the LED assembly, or portions thereof, are emitting light and based on an amount of time that the LED assembly, or the portions thereof, have been emitting light. As generally described above, the controller **120** may be configured to control the LED assembly (e.g., by controlling which LED arrays **182** are emitting light, a duration that the LED arrays **182** emit light, an intensity of the light emitted by the LED arrays **182**, etc.). Based on the control actions, the controller **120** may determine/estimate the temperature at the LED assembly (e.g., the temperature at the surface of the LED assembly **102/196**, the temperature of the fluid adjacent to and/or flowing over the LED assembly **102/196**, the temperature at the surface of the enclosure **104/198**, etc.).

At block **906**, operating parameter(s) of the cooling system **100** are adjusted based on the temperature at the LED assembly (e.g., the temperature measured at block **902** and/or determined at block **904**). For example, the controller **120** may output a signal (e.g., an output signal) to the pump **108** indicative of instructions to adjust the flowrate of fluid through the cooling circuit **110**. Additionally or alternatively, the controller **120** may output a signal to a heat exchanger

(e.g., the heat exchanger **106/601**) indicative of instructions to adjust a flow rate of air flowing over a radiator of the heat exchanger (e.g., by outputting a signal to fans of the heat exchanger **106/601** indicative of instructions to adjust a rotational speed of the fans to adjust the flow rate of air). In certain embodiments, the controller **120** may control the LED assembly based on the temperature at the LED assembly, such as by reducing a number of LED arrays emitting light and/or to prevent overheating of the LED assembly.

In certain embodiments, the controller **120** may compare the temperature at the LED assembly to a target temperature and determine whether a difference between the temperature (e.g., a measured and/or determined temperature at the LED assembly **102/196**) and the target temperature is greater than a threshold value. Based on the difference exceeding the threshold value, the controller **120** may control the operating parameters of the cooling system **100** described above. As such, the controller **120** may reduce certain control actions performed by the cooling system **100** based on minor temperature fluctuations and/or may reduce an amount of air flow and/or power used by the heat exchanger to cool the fluid. The controller **120** may receive an input indicative of the target temperature (e.g., from an operator of the cooling system **100**) and/or may determine the target temperature based on a type of LED included in the LED assembly, a type of fluid circulating through the cooling system **100**, a material of the enclosure, a material of the tower of the LED assembly, a size of the LED assembly and/or the cooling system **100** generally, or a combination thereof.

After completing block **906**, the method **900** returns to block **902** and the next temperature at the LED assembly is measured. Alternatively, the method **900** may return to block **904**, and the next temperature at the LED assembly may be determined. As such, blocks **902-906** of the method **900** may be iteratively performed by the controller **120** and/or by the cooling system **100** generally to facilitate cooling of the LED assembly and the enclosure.

While only certain features of the disclosure have been illustrated and described herein, many modifications and changes will occur to those skilled in the art. It is, therefore, to be understood that the appended claims are intended to cover all such modifications and changes as fall within the true spirit of the disclosure.

The techniques presented and claimed herein are referenced and applied to material objects and concrete examples of a practical nature that demonstrably improve the present technical field and, as such, are not abstract, intangible or purely theoretical. Further, if any claims appended to the end of this specification contain one or more elements designated as “means for [perform]ing [a function] . . .” or “step for [perform]ing [a function] . . .”, it is intended that such elements are to be interpreted under 35 U.S.C. 112(f). However, for any claims containing elements designated in any other manner, it is intended that such elements are not to be interpreted under 35 U.S.C. 112(f).

The invention claimed is:

1. A light emitting diode (LED) device, comprising:
  - an LED assembly comprising:
    - a tower;
    - a base coupled to the tower, wherein the base comprises an inlet configured to receive a fluid into the LED device and an outlet configured to expel the fluid from the LED device; and
    - a printed circuit board (PCB) coupled to the base, and wherein the PCB comprises:
      - a wet side configured to contact the fluid;
      - a dry side configured to not contact the fluid; and

a plurality of electrical connections configured to couple to additional PCBs communicatively coupled to a plurality of LEDs; and

an enclosure configured to house the LED assembly, wherein an inner annular passage is formed within the LED assembly, wherein an outer annular passage is formed between the LED assembly and the enclosure, wherein the inner annular passage and the outer annular passage are configured to enable circulation of the fluid along the LED assembly to absorb heat from the LED assembly, wherein the LED assembly is configured to be immersively disposed within the fluid, wherein the LED assembly is configured to emit light through the fluid and through the enclosure, wherein the inlet is fluidly coupled to a first passage of the inner annular passage or the outer annular passage, wherein the outlet is fluidly coupled to a second passage of the inner annular passage or the outer annular passage, and wherein the first passage is different from the second passage.

2. The LED device of claim 1, comprising:
  - the inner annular passage formed within the LED assembly;
  - an end passage formed between the LED assembly and the enclosure, wherein the end passage is fluidly coupled to the inner annular passage; and
  - the outer annular passage formed between the LED assembly and the enclosure, wherein the LED assembly is configured to be immersively disposed within the fluid at the inner annular passage, the end passage, and the outer annular passage, wherein the outer annular passage is fluidly coupled to the inner annular passage, and wherein the fluid is configured to circulate along the inner annular passage generally toward the end passage, through the end passage, into the outer annular passage, and along the outer annular passage generally away from the end passage.
3. The LED device of claim 1, comprising the fluid, wherein the fluid comprises a coolant, a mineral oil, water, a hydrocarbon fluid, a silicon fluid, or a combination thereof.
4. The LED device of claim 1, wherein the enclosure comprises a plastic material, a glass material, an acrylic material, or a combination thereof.
5. The LED device of claim 1, wherein a first refractive index corresponding to the fluid and a second refractive index corresponding to the enclosure are matched.
6. The LED device of claim 1, wherein the LED assembly comprises a plurality of LED arrays coupled to the plurality of LEDs.
7. The LED device of claim 6, wherein each LED array of the plurality of LED arrays comprises a PCB comprising:
  - a first side coupled to one or more LEDs of the plurality of LEDs, wherein the one or more LEDs are configured to contact the fluid; and
  - a second side configured to be disposed apart from the fluid.
8. The LED device of claim 1, wherein the plurality of LEDs are configured to operate above a predetermined power density of between 50 watts per square inch and 250 watts per square inch.
9. The LED device of claim 8, wherein the LED assembly has a surface area equal to or less than 4 square inches.
10. The LED device of claim 8, wherein the LED assembly is configured to operate at or above the predetermined power density for more than 1 minute.

11. The LED device of claim 1, wherein the LED assembly is configured to operate above a total power of between 400 watts and 5000 watts.

12. The LED device of claim 1, wherein the LED assembly is configured to transmit light through the enclosure in a front emission configuration or a side emission configuration. 5

13. The LED device of claim 1, wherein the enclosure is optically clear to enable the light generated by the LED assembly to pass through the enclosure. 10

14. The LED device of claim 1, wherein the base is configured to couple to the enclosure.

\* \* \* \* \*