



US011051373B2

(12) **United States Patent**  
**Jurik et al.**

(10) **Patent No.:** **US 11,051,373 B2**  
(45) **Date of Patent:** **Jun. 29, 2021**

(54) **REMOVABLE LED MODULE WITH ROTATED LED EMITTER GROUPS**

(71) Applicant: **Robe Lighting s.r.o.**, Roznov pod Radhostem (CZ)

(72) Inventors: **Pavel Jurik**, Prostredni Becva (CZ); **Tomas David**, Podoli (CZ); **Jindrich Vavrik**, Zubri (CZ); **Jan Vilem**, Vsetin (CZ); **Josef Valchar**, Prostredni Becva (CZ)

(73) Assignee: **Robe Lighting s.r.o.**, Roznov pod Radhostem (CZ)

(\* ) Notice: Subject to any disclaimer, the term of this patent is extended or adjusted under 35 U.S.C. 154(b) by 0 days.

(21) Appl. No.: **16/839,711**

(22) Filed: **Apr. 3, 2020**

(65) **Prior Publication Data**  
US 2020/0232626 A1 Jul. 23, 2020

**Related U.S. Application Data**

(60) Provisional application No. 62/896,739, filed on Sep. 6, 2019.

(51) **Int. Cl.**  
**H05B 47/28** (2020.01)  
**F21V 29/70** (2015.01)  
(Continued)

(52) **U.S. Cl.**  
CPC ..... **H05B 45/12** (2020.01); **F21V 5/007** (2013.01); **F21V 19/0055** (2013.01);  
(Continued)

(58) **Field of Classification Search**

CPC ..... F21V 19/003; F21V 19/0035; F21V 19/0055; F21V 19/04; F21V 19/042;  
(Continued)

(56) **References Cited**

U.S. PATENT DOCUMENTS

6,843,586 B1 1/2005 Allaire  
7,810,968 B1\* 10/2010 Walker ..... F21V 29/75  
362/431

(Continued)

OTHER PUBLICATIONS

Jurik, Pavel, et al.; U.S. Appl. No. 16/839,307, filed Apr. 3, 2020;  
Title: Removable LED Module; 46 pages.

(Continued)

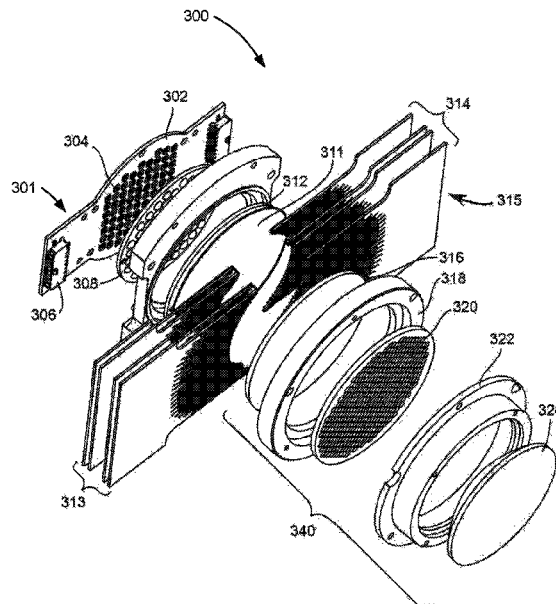
*Primary Examiner* — Jason Crawford

(74) *Attorney, Agent, or Firm* — Conley Rose, P. C.;  
Brooks W Taylor

(57) **ABSTRACT**

An LED module and luminaire are provided. The LED module includes an LED circuit board having an array of LEDs powered by an electrical connector. The array of LEDs includes two or more pluralities of LEDs. The LEDs of a first plurality are rotated relative to the LEDs of a second plurality. The rotation amount is not an integer multiple of 90°. The LEDs of the first plurality are not rotated relative to each other, and the LEDs of the second plurality are not rotated relative to each other. The LED module can be removed from an optical system of the luminaire by electrically uncoupling the LED circuit board and mechanically uncoupling the LED module from the luminaire without removing other elements of the optical system from the luminaire.

**24 Claims, 13 Drawing Sheets**



(51) **Int. Cl.**  
*F21V 19/00* (2006.01)  
*F21V 29/51* (2015.01)  
*H05B 45/12* (2020.01)  
*H05B 47/19* (2020.01)  
*F21V 5/00* (2018.01)  
*F21V 19/04* (2006.01)  
*F21V 23/06* (2006.01)  
*F21V 23/04* (2006.01)  
*F21Y 105/18* (2016.01)  
*F21Y 115/10* (2016.01)

2013/0293112 A1\* 11/2013 Reed ..... H05B 45/20  
 315/131  
 2013/0294085 A1\* 11/2013 Watanabe ..... F21V 29/85  
 362/294  
 2014/0119031 A1\* 5/2014 Van Compel ..... F21K 9/20  
 362/311.02  
 2015/0009677 A1 1/2015 Catalano  
 2015/0167937 A1 6/2015 Casper et al.  
 2015/0198324 A1\* 7/2015 O'Brien ..... F21S 8/026  
 362/294  
 2015/0338077 A1\* 11/2015 Johnson ..... F21V 23/045  
 362/234  
 2016/0123541 A1\* 5/2016 Quilici ..... H05B 45/20  
 315/210  
 2016/0273741 A1\* 9/2016 Jung ..... F21V 19/0055  
 2017/0094756 A1\* 3/2017 Saffari ..... F21V 29/83  
 2017/0171949 A1\* 6/2017 Kim ..... H04B 10/502  
 2017/0184289 A1\* 6/2017 Nolan ..... G01C 19/02  
 2018/0042092 A1\* 2/2018 Bowser ..... H05B 45/10  
 2018/0160511 A1 6/2018 Haverlag et al.  
 2018/0343403 A1\* 11/2018 Mehdi ..... H04N 5/2256  
 2019/0219249 A1 7/2019 David et al.

(52) **U.S. Cl.**  
 CPC ..... *F21V 19/04* (2013.01); *F21V 23/0435*  
 (2013.01); *F21V 23/0457* (2013.01); *F21V*  
*23/06* (2013.01); *F21V 29/51* (2015.01); *F21V*  
*29/70* (2015.01); *H05B 47/19* (2020.01);  
*H05B 47/28* (2020.01); *F21Y 2105/18*  
 (2016.08); *F21Y 2115/10* (2016.08)

(58) **Field of Classification Search**  
 CPC ..... F21V 19/045; F21V 29/50–51; F21V  
 29/70–71; H05B 45/10; H05B 45/12;  
 H05B 47/19; H05B 47/28  
 See application file for complete search history.

(56) **References Cited**

U.S. PATENT DOCUMENTS

8,002,446 B1 8/2011 Plunk et al.  
 8,678,605 B2 3/2014 Leadford  
 8,926,145 B2\* 1/2015 Lynch ..... F21V 29/773  
 362/373  
 9,408,282 B1\* 8/2016 Springer ..... F21V 19/006  
 9,726,337 B2 8/2017 Hedberg, Jr.  
 9,974,147 B1 5/2018 Davis et al.  
 10,125,946 B2 11/2018 Meerbeek et al.  
 2004/0095771 A1 5/2004 McDonald  
 2009/0196016 A1\* 8/2009 Massara ..... H05B 47/115  
 362/86  
 2010/0014289 A1 1/2010 Thomas et al.  
 2011/0194282 A1 8/2011 Paik et al.  
 2012/0051065 A1\* 3/2012 Daily ..... F21V 19/0055  
 362/311.02  
 2012/0155080 A1\* 6/2012 Schupple ..... F21V 29/80  
 362/235  
 2013/0278163 A1 10/2013 Rodriguez et al.

OTHER PUBLICATIONS

Jurik, Pavel, et al.; U.S. Appl. No. 16/839,335, filed Apr. 3, 2020;  
 Title: Removable LED Module with Zonal Intensity Control; 47  
 pages.  
 Office Action dated May 26, 2020; U.S. Appl. No. 16/839,707, filed  
 Apr. 3, 2020; 19 pages.  
 Office Action dated Jun. 2, 2020; U.S. Appl. No. 16/839,735, filed  
 Apr. 3, 2020; 14 pages.  
 Final Office Action dated Aug. 20, 2020; U.S. Appl. No. 16/839,707,  
 filed Apr. 3, 2020; 24 pages.  
 Advisory Action dated Oct. 27, 2020; U.S. Appl. No. 16/839,707,  
 filed Apr. 3, 2020; 3 pages.  
 Final Office Action dated Oct. 1, 2020; U.S. Appl. No. 16/839,735,  
 filed Apr. 3, 2020; 21 pages.  
 Notice of Allowance dated Dec. 31, 2020; U.S. Appl. No. 16/839,707  
 filed Apr. 3, 2020; 13 pages.  
 Notice of Allowance dated Feb. 1, 2021; U.S. Appl. No. 16/839,735  
 filed Apr. 3, 2020; 12 pages.  
 European Extended Search Report dated Feb. 24, 2021; Application  
 No. 20192235.8; filed Aug. 21, 2020; 7 pages.  
 European Extended Search Report dated Feb. 9, 2021; Application  
 No. 20194740.5; filed Sep. 4, 2020; 6 pages.  
 European Extended Search Report dated Feb. 3, 2021; Application  
 No. 20194726.4; filed Sep. 4, 2020; 6 pages.

\* cited by examiner

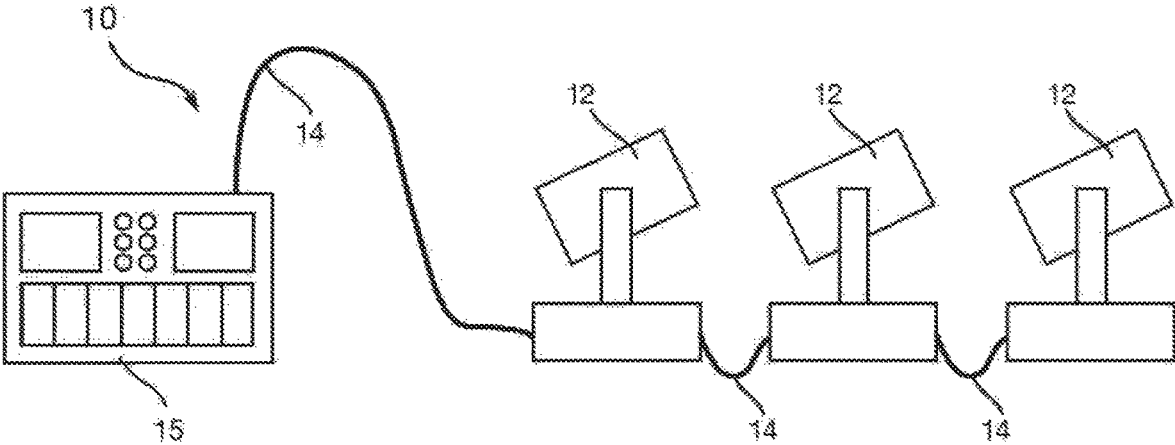


FIG. 1

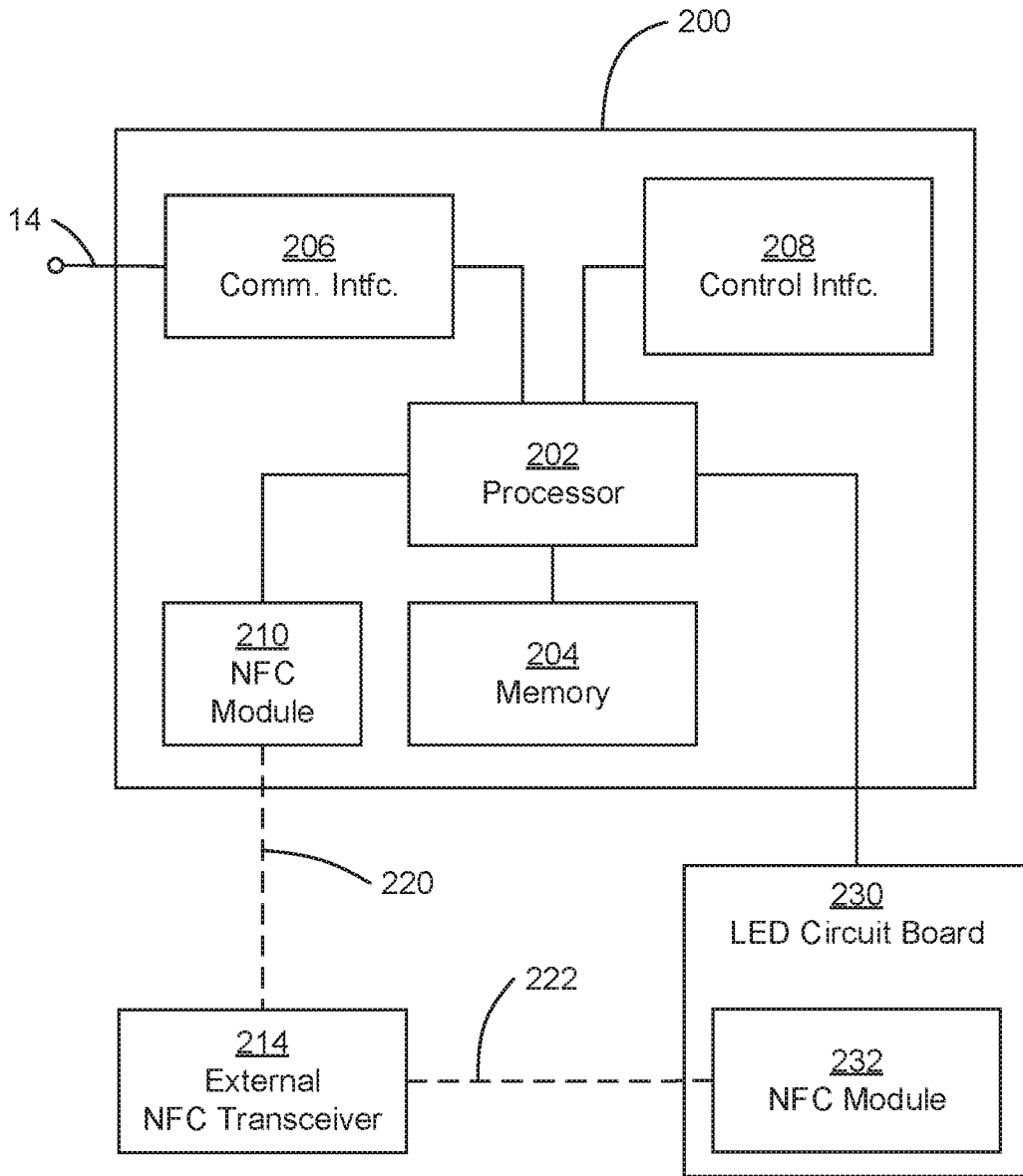


FIG. 2

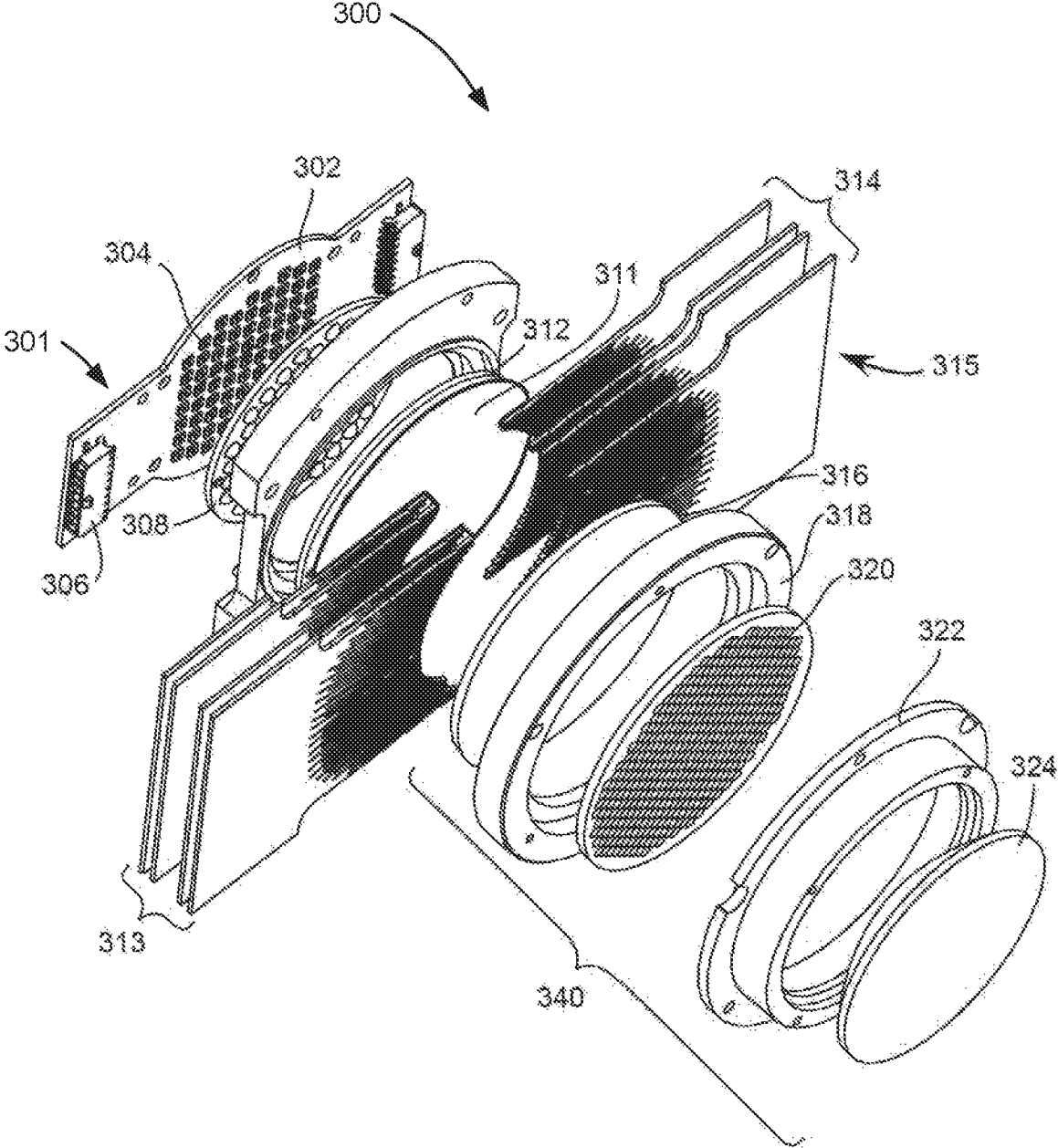


FIG. 3

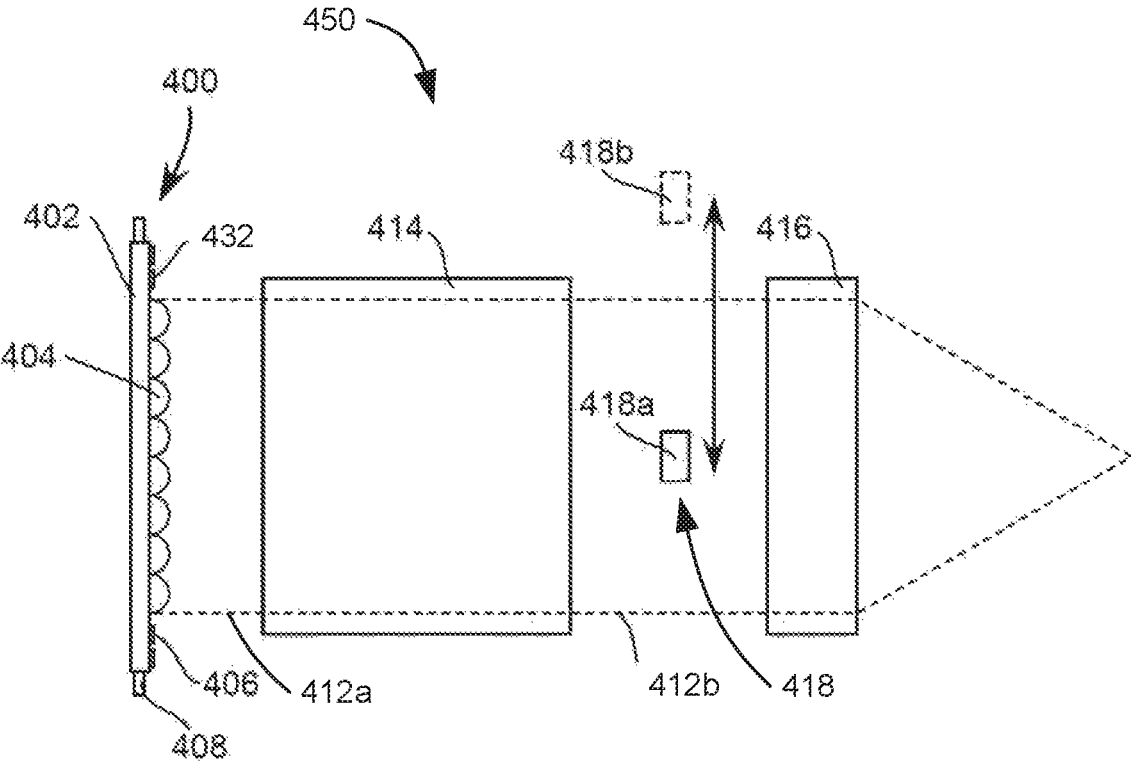


FIG. 4

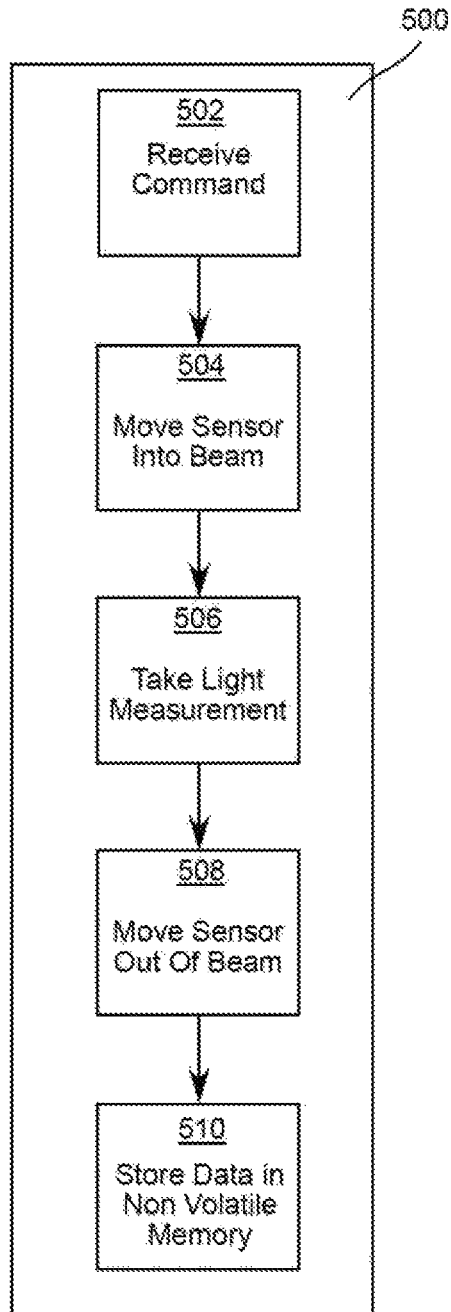


FIG. 5

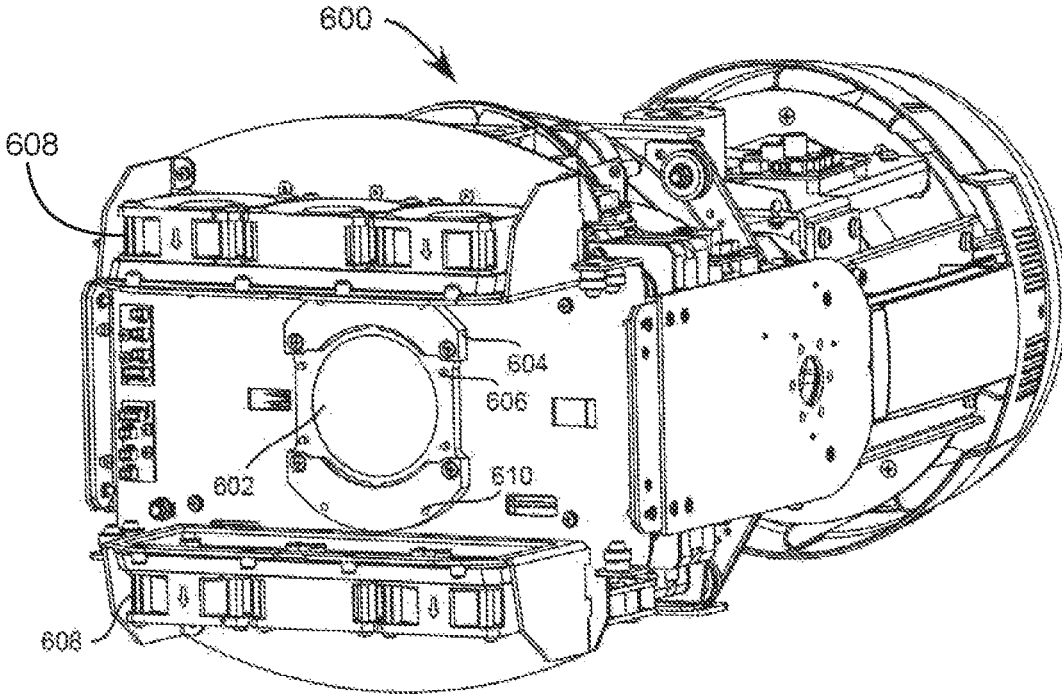


FIG. 6A

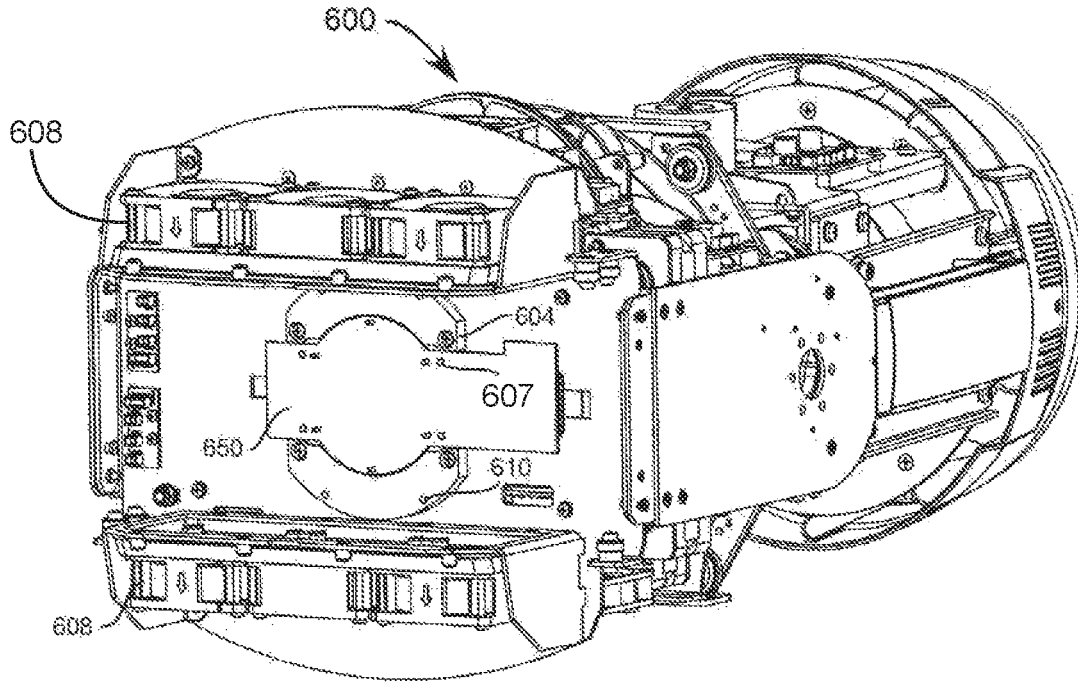


FIG. 6B



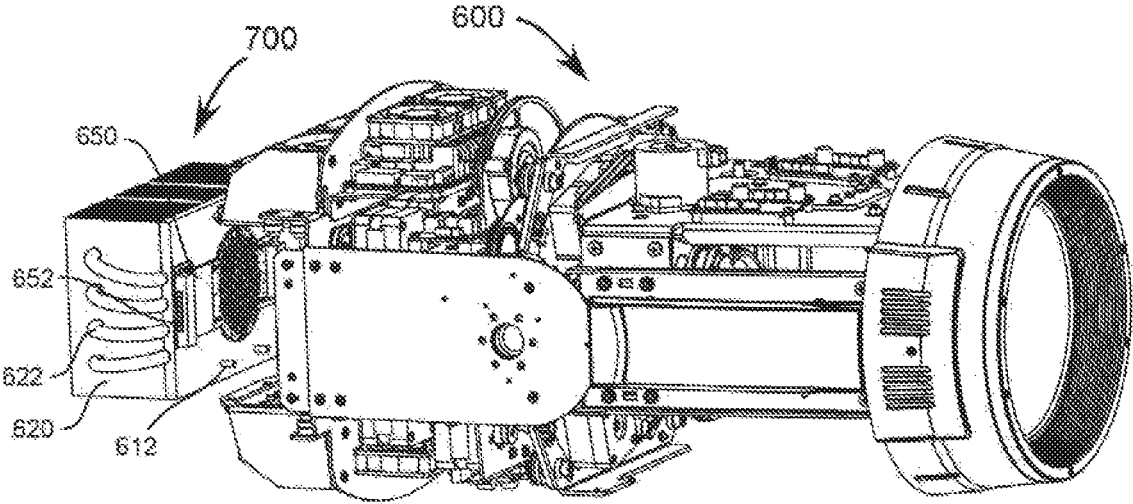


FIG. 7

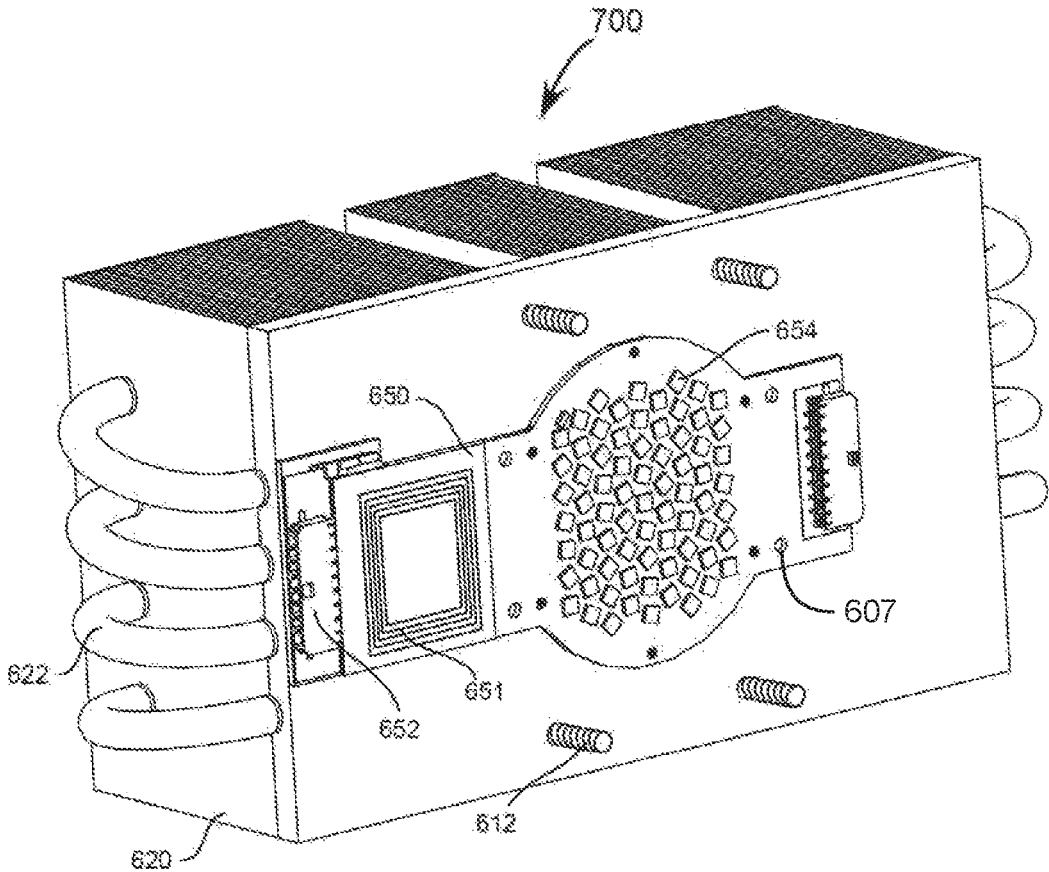


FIG. 8

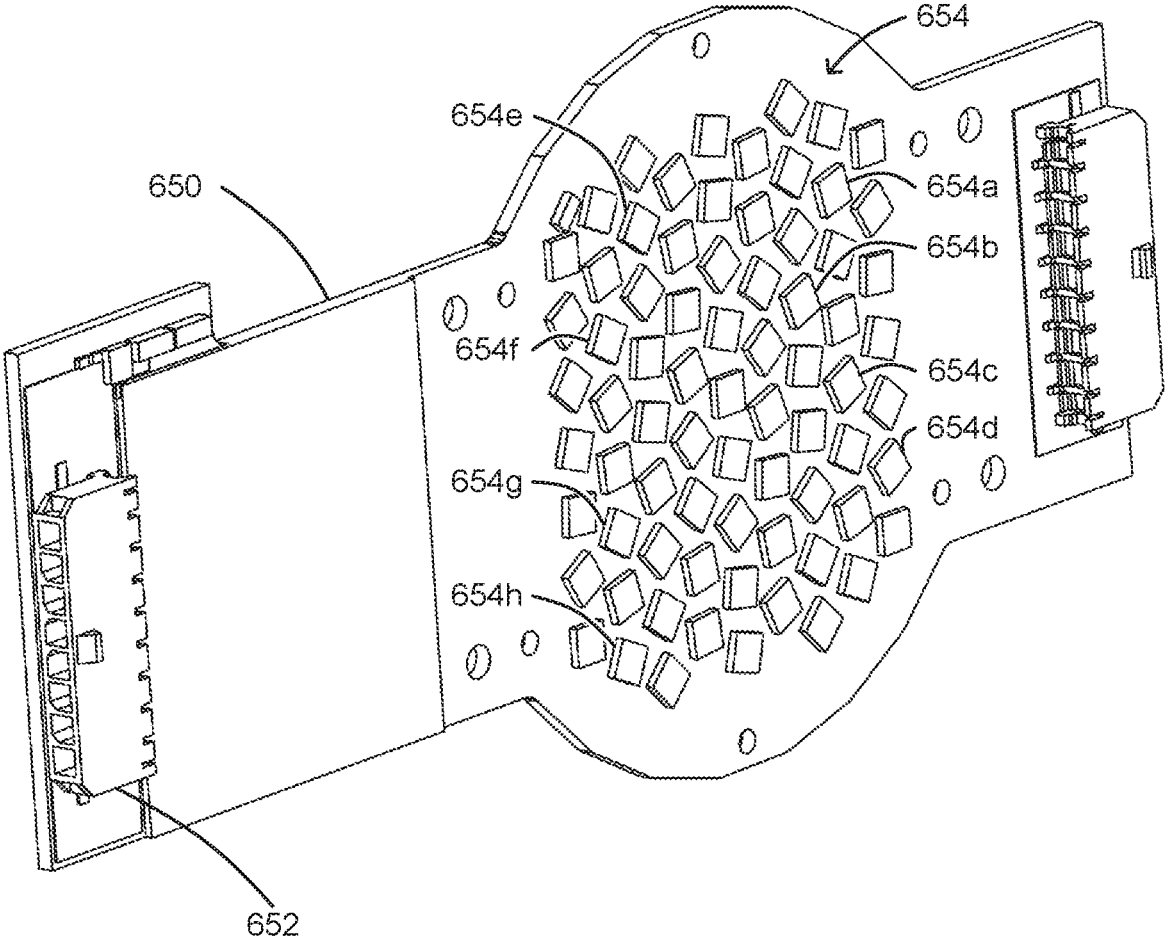


FIG. 9

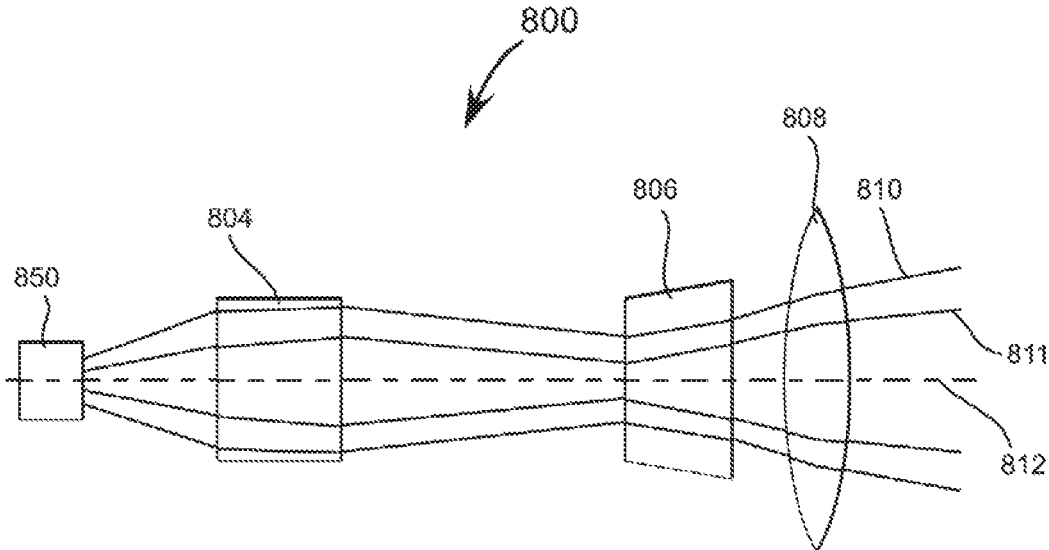


FIG. 10

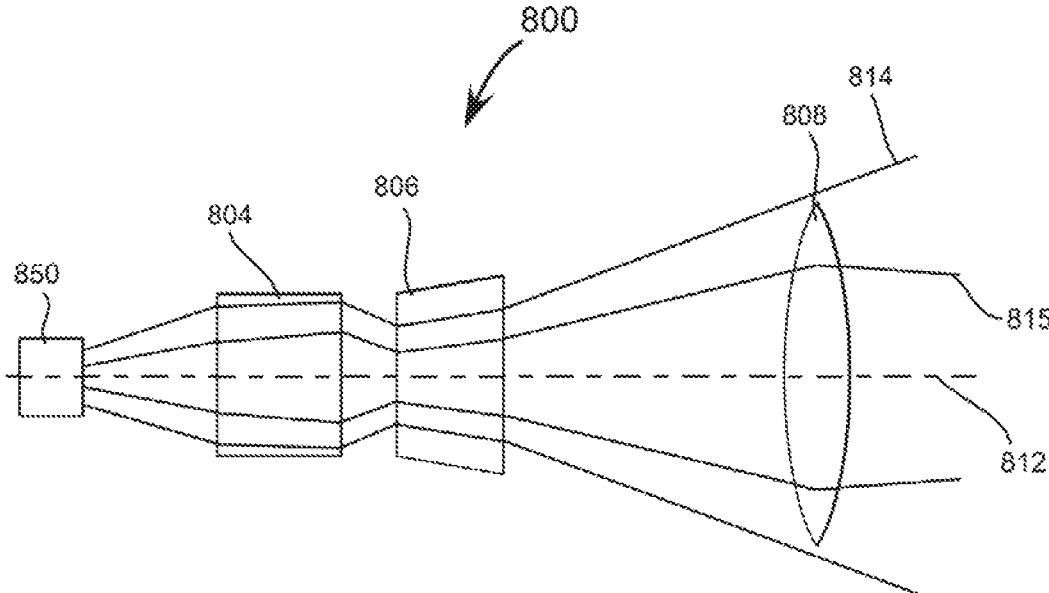


FIG. 11

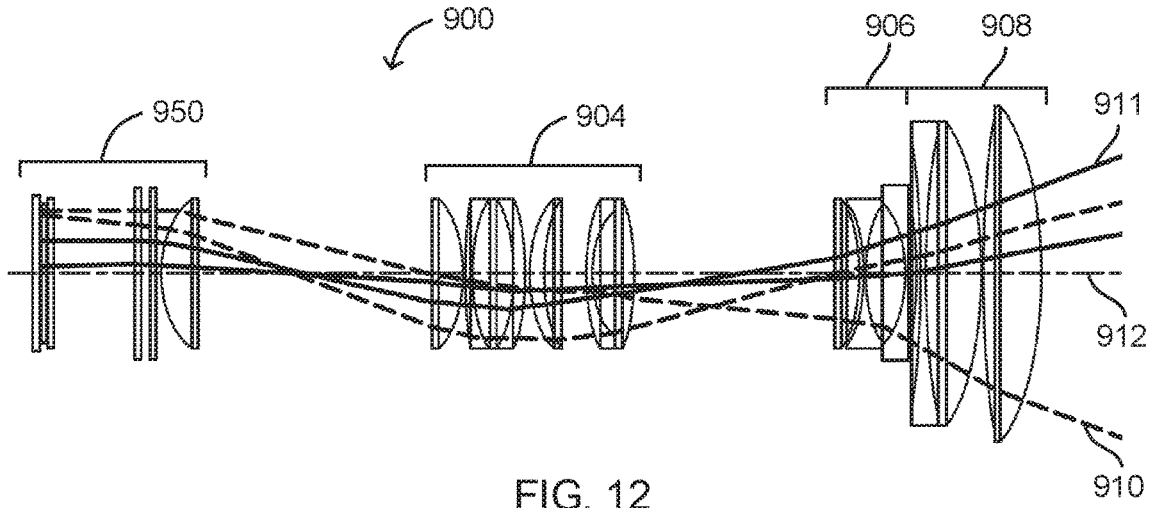


FIG. 12

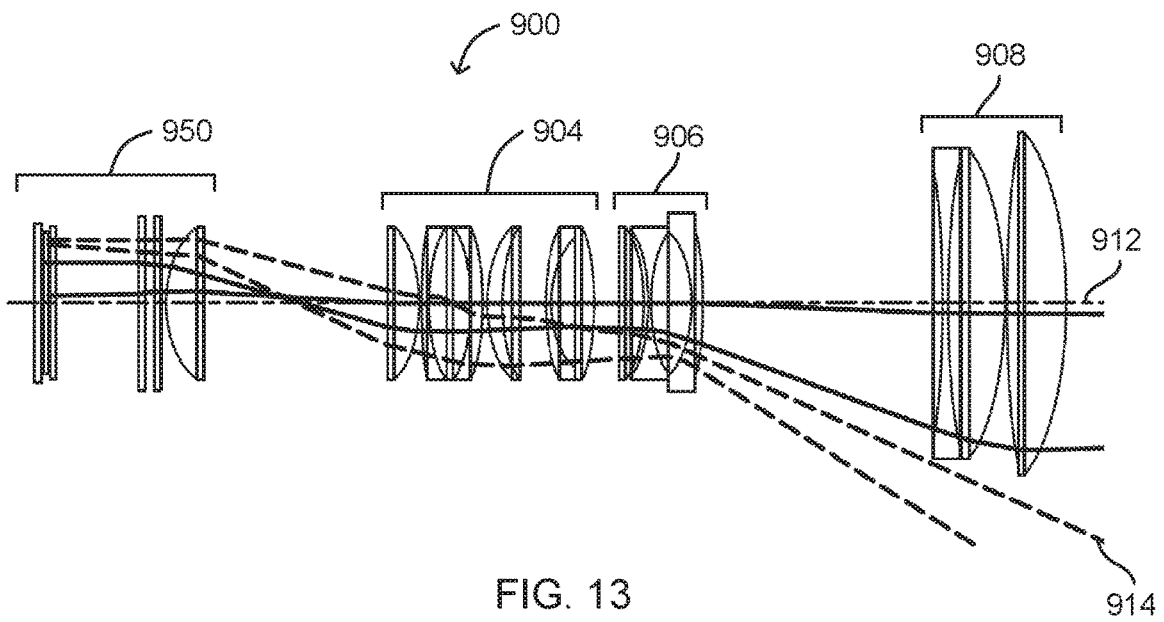


FIG. 13

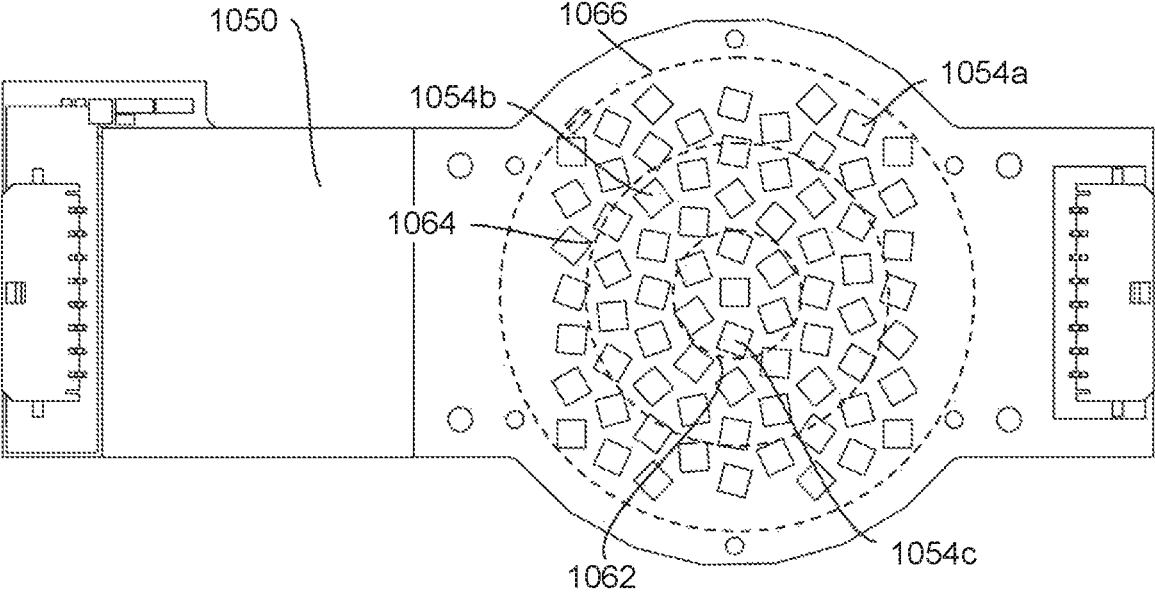


FIG. 14

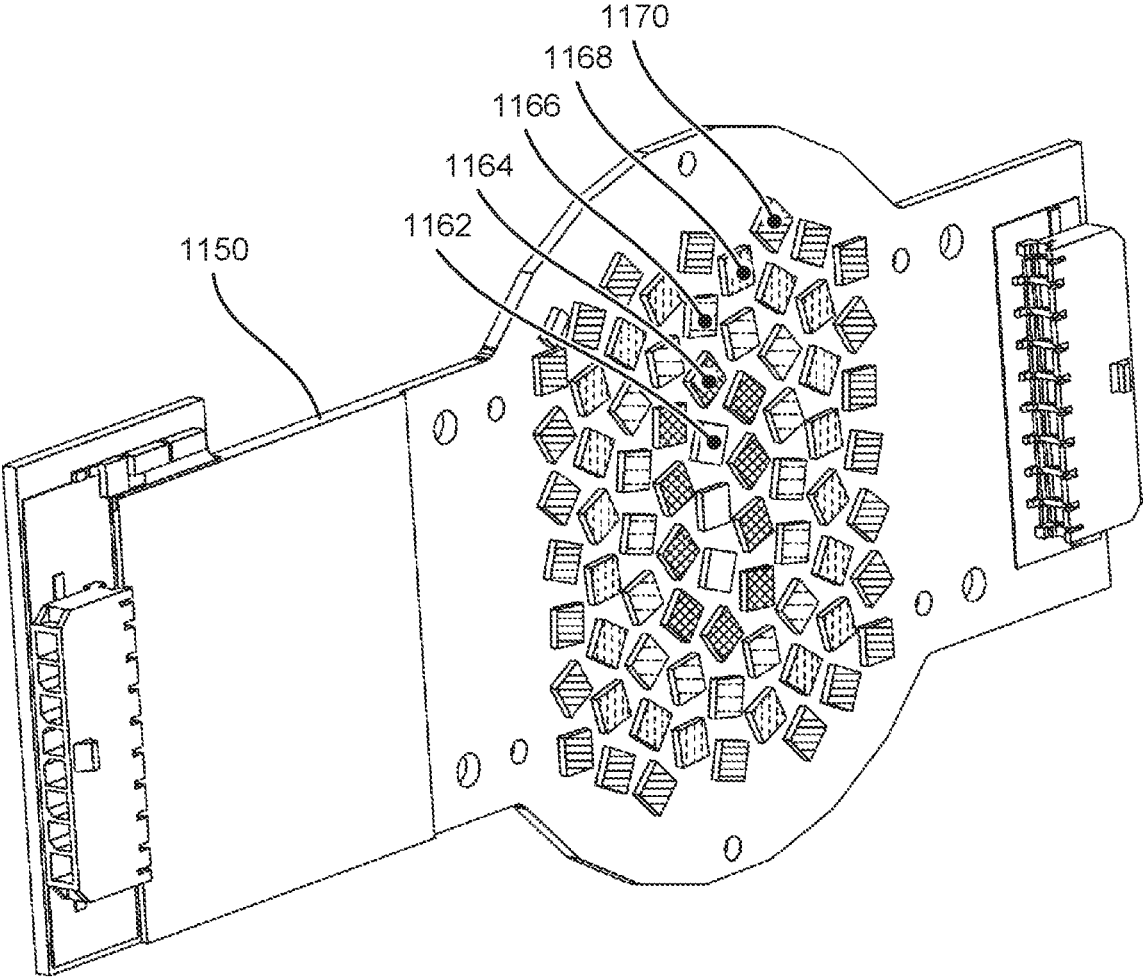


FIG. 15

1

## REMOVABLE LED MODULE WITH ROTATED LED EMITTER GROUPS

### CROSS-REFERENCE TO RELATED APPLICATIONS

This application claims priority to U.S. Provisional Application No. 62/896,739 filed on Sep. 6, 2019 by Pavel Jurik, et al. entitled, "LED Light Engine", which is incorporated by reference herein as if reproduced in its entirety.

### TECHNICAL FIELD OF THE DISCLOSURE

The disclosure generally relates to automated luminaires, and more specifically to a removable light-emitting diode (LED) module with rotated LED emitter groups for use in an automated luminaire.

### BACKGROUND

Luminaires with automated and remotely controllable functionality (also referred to as automated luminaires) are well known in the entertainment and architectural lighting markets. Such products are commonly used in theatres, television studios, concerts, theme parks, night clubs, and other venues. A typical product will commonly provide control over the pan and tilt functions of the luminaire allowing the operator to control the direction the luminaire is pointing and thus the position of the light beam on the stage or in the studio. Typically, this position control is done via control of the luminaire's orientation in two orthogonal rotational axes usually referred to as pan and tilt. Many products provide control over other parameters such as the intensity, focus, beam size, beam shape, and beam pattern. In particular, control is often provided for the color of the output beam which may be provided by controlling the insertion of dichroic colored filters across the light beam.

### SUMMARY

In a first embodiment, an LED module includes an LED circuit board having an array of LEDs and an electrical connector that powers the array of LEDs. The array of LEDs includes two or more pluralities of LEDs. The LEDs of a first plurality of LEDs are rotated along an axis perpendicular to a plane of the LED circuit board. The rotation is relative to the LEDs of a second plurality of the two or more pluralities of LEDs. The rotation is by an amount that is not an integer multiple of 90°. The LEDs of the first plurality of LEDs are not rotated relative to each other, and the LEDs of the second plurality of LEDs are not rotated relative to each other. The LED module is configured to be removed from an optical system of a luminaire by electrically uncoupling the LED circuit board and mechanically uncoupling the LED module from the luminaire without removing other elements of the optical system from the luminaire.

In a second embodiment, a luminaire includes a controller and an optical system that includes an LED module having an LED circuit board electrically coupled to the controller. The LED circuit board includes an array of LEDs that includes two or more pluralities of LEDs. The LEDs of a first plurality of LEDs are rotated along an axis perpendicular to a plane of the LED circuit board. The rotation is relative to the LEDs of a second plurality of the two or more pluralities of LEDs. The rotation is by an amount that is not an integer multiple of 90°. The LEDs of the first plurality of LEDs are not rotated relative to each other, and the LEDs of

2

the second plurality of LEDs are not rotated relative to each other. The LED module is configured to be removed from the luminaire without removing other elements of the optical system by electrically uncoupling the LED circuit board from the controller and mechanically uncoupling the LED module from the luminaire.

### BRIEF DESCRIPTION OF THE DRAWINGS

For a more complete understanding of this disclosure, reference is now made to the following brief description, taken in conjunction with the accompanying drawings in which like reference numerals indicate like features.

FIG. 1 presents a schematic view of a multiparameter automated luminaire system according to the disclosure;

FIG. 2 presents a block diagram of a control system for a luminaire according to the disclosure;

FIG. 3 presents an exploded orthogonal view of an LED optical system according to the disclosure;

FIG. 4 presents a schematic diagram of an optical system according to the disclosure;

FIG. 5 presents a flow chart of a light measurement process according to the disclosure;

FIG. 6A presents an orthogonal rear view of a luminaire without an LED circuit board installed;

FIG. 6B presents an orthogonal rear view of a luminaire with an LED circuit board installed;

FIG. 7 presents an orthogonal side view of the luminaire of FIGS. 6A and 6B, and an LED module according to the disclosure;

FIG. 8 presents an orthogonal view of the LED module of FIG. 7;

FIG. 9 presents an orthogonal view of the LED circuit board of FIGS. 6A, 6B, and 7;

FIGS. 10 and 11 present a ray trace view of a zoom optical system according to the disclosure in respective first and second configurations;

FIGS. 12 and 13 present a ray trace view of a second zoom optical system according to the disclosure in respective first and second configurations;

FIG. 14 presents a plan view of a second LED circuit board according to the disclosure; and

FIG. 15 presents an oblique view of a third LED circuit board according to the disclosure.

### DETAILED DESCRIPTION

Preferred embodiments are illustrated in the figures, like numerals being used to refer to like and corresponding parts of the various drawings.

FIG. 1 presents a schematic view of a multiparameter automated luminaire system 10 according to the disclosure. The multiparameter automated luminaire system 10 includes a plurality of luminaires 12 according to the disclosure. The luminaires 12 each contains on-board a light source, color changing devices, light modulation devices, pan and/or tilt systems to control an orientation of a head of the luminaire 12. Mechanical drive systems to control parameters of the luminaire 12 include motors or other suitable actuators coupled to control electronics, as described in more detail with reference to FIG. 2.

In addition to being connected to an external power source either directly or through a power distribution system, each luminaire 12 is connected in series or in parallel by a data link 14 to one or more control desks 15. Upon actuation by an operator, the control desk 15 may send control signals via the data link 14, where the control signals



are received by one or more of the luminaires **12**. The one or more of the luminaires **12** that receive the control signals may respond by changing one or more of the parameters of the receiving luminaires **12**. The control signals may be sent by the control desk **15** to the luminaires **12** using DMX-512, Art-Net, ACN (Architecture for Control Networks), Streaming ACN, or other suitable communication protocol.

The luminaires **12** may include stepper motors to provide the movement for internal optical systems. Examples of such optical systems may include gobo wheels, effects wheels, and color mixing systems, as well as prism, iris, shutter, and lens movement.

While the multiparameter automated luminaire system **10** comprises moving yoke luminaires **12**, the disclosure is not so limited. In other embodiments automated luminaires according to the disclosure may be moving mirror automated luminaires or static automated luminaires.

In some embodiments, luminaires **12** include an LED-based light source and associated optical system. Such an LED light source may contain LEDs that emit light of a common color, such as white, or may contain LEDs that emit light of different colors. Such subsets of LEDs of different colors may be controllable individually so as to provide additive color mixing of the LED outputs.

Some automated luminaires include an LED light source that is physically integrated with the associated optical systems in a manner that makes it difficult for a technician to maintain and replace the LEDs independently from the rest of the optical system. In such automated luminaires it can be difficult to compare the degradation in light output of the LED light source in two or more automated luminaires. Luminaires **12** according to the disclosure provide easier removal of LED modules and associated LED circuit boards, as well as a system for measurement and non-volatile storage of the light output produced by LED emitters of the LED module. LED emitters may also be referred to simply as LEDs.

FIG. **2** presents a block diagram of a control system **200** for a luminaire **12** according to the disclosure. The control system (or controller) **200** is suitable for use with an LED module according to the disclosure. The control system **200** is also suitable for controlling other control functions of the automated luminaire system **10**. In some embodiments, the control system **200** is powered by an external power source (not shown in FIG. **2**).

The control system **200** includes a processor **202** that is electrically coupled to a memory **204**. The processor **202** is implemented by hardware and software. The processor **202** may be implemented as one or more Central Processing Unit (CPU) chips, cores (e.g., as a multi-core processor), field-programmable gate arrays (FPGAs), application specific integrated circuits (ASICs), and digital signal processors (DSPs).

The processor **202** is further electrically coupled to and in communication with a communication interface **206**. The communication interface **206** is coupled to, and configured to communicate via, at least the data link **14**. The processor **202** is also coupled via a control interface **208** to one or more sensors, motors, actuators, controls and/or other devices. In some embodiments these devices include a light level sensor. The processor **202** is configured to receive control signals from the data link **14** via the communication interface **206** and, in response, to control mechanisms of the luminaire **12** via the control interface **208**.

In some embodiments, the processor is also coupled to a Near Field Communication (NFC) module **210**. Use of the NFC module **210** is further described below with reference to FIG. **5**.

The processor **202** is further electrically coupled to and in communication with an LED circuit board **230**. The LED circuit board **230** may contain a processor and memory as described with reference to the control system **200**. The LED circuit board **230**, in some embodiments, further includes an NFC module **232**. In various embodiments, the processor **202** may directly control functionality of the LED circuit board **230** (such as individual or group LED brightness), may request from a processor of the LED circuit board **230** information stored in the memory of the processor (such as light measurement data), and may request that the processor in the LED circuit board **230** store information provided by the processor **202** (such as light measurement data resulting from performance of the light measurement process **500** described with reference to FIG. **5**).

The control system **200** is suitable for implementing processes, module control, optical device control, pan and tilt movement, parameter control, LED brightness control, and other functionality as disclosed herein, which may be implemented as instructions stored in the memory **204** and executed by the processor **202**. The memory **204** comprises one or more disks and/or solid-state drives and may be used to store instructions and data that are read and written during program execution. The memory **204** may be volatile and/or non-volatile and may be read-only memory (ROM), random access memory (RAM), ternary content-addressable memory (TCAM), and/or static random-access memory (SRAM). Similarly, the LED circuit board **230** may contain a processor and memory which includes at least writable non-volatile memory, such as flash memory, which retains its contents when power is removed.

FIG. **3** presents an exploded orthogonal view of an LED optical system (or light engine) **300** according to the disclosure. An LED circuit board **301** includes a plurality of LEDs (or LED dies) **304** arranged in an array and mounted on a planar substrate **302**. The LED circuit board **301** further includes an electrical connector **306** through which the LEDs **304** can be powered. The LED circuit board **301** still further includes electronic circuitry (not shown in FIG. **3**) coupled to the electrical connector **306** for power and communication.

The LEDs **304** all emit white light. In other embodiments, the LEDs **304** emit light in a plurality of colors. In either embodiment, the LEDs **304** may be configured to be controlled as a single group, in multiple groups, or individually, depending on the requirements of the luminaire. Each LED **304** is associated with a primary optic, which may comprise a reflector, total internal reflection (TIR) lens, and/or other suitable optical devices for protecting the LED and controlling distribution of its emitted light. Each LED **304** is further associated with a corresponding pair of collimating lenslets on lens arrays (collimating optics) **308** and **312**. In some embodiments, the pair of collimating lenslets associated with each LED may be part of the LED's primary optic, that is, they may be fabricated as part of the LED die, may be separately fabricated and attached to the LED die, or may be in the form of a lens array mounted to one or more of the LED dies or (directly or indirectly) to the planar substrate **302**. In other embodiments, such primary optics are part of an LED module according to the disclosure, such as LED module **700**, described with reference to FIGS. **7** and **8**.

In some embodiments, the LEDs **304** are simple LEDs. In other embodiments, the LEDs **304** comprise an LED emitter

coupled with a phosphor. In still other embodiments, the LEDs 304 comprise LED laser diodes with or without an associated phosphor.

In the embodiment shown in FIG. 3, all LEDs 304 emit white light, however other embodiments may include differently colored LEDs 304.

Although the lens arrays 308 and 312 are constructed on two separate substrates, in other embodiments, the lens arrays 308 and 312 may be fabricated on opposite sides of a single (common) substrate. In some embodiments, the lens arrays 308 and 312 and their substrate(s) are simple lens arrays molded from a material comprising glass or a transparent polymer. In other embodiments, the lens arrays 308 and 312 may be fabricated from multiple individual collimating lenslets. In yet other embodiments, the lens arrays 308 and 312 may be replaced with an array of TIR collimators, a fresnel lens, or a single lens array that is fabricated from glass or other optical material having a higher refractive index than lens arrays 308 and 312 or that comprises collimating lenslets having an aspherical profile.

In some embodiments, the lens arrays 308 and 312 may be supplemented by an optical diffuser 311. In some such embodiments, the optical diffuser 311 may be added to lens arrays 308 and 312 as shown in FIG. 3. The optical diffuser 311 may comprise a single diffuser element or multiple diffuser elements.

In either embodiment, the optical diffuser 311 is configured to further mix the light output from LEDs 304 without adding any optical aberrations. The optical diffuser 311 may comprise a transparent or translucent substrate with irregular patterning, body features, or surface features designed to introduce Lambertian, or approximate Lambertian, scattering to the light passing through the optical diffuser 311. Such a diffuser can be created by using a ground substrate, a diffusing substrate, or a holographic etched substrate, as well as by other techniques.

The collimated and substantially parallel light beams emitted by the collimating lens array 312 pass through dichroic filters 313 and 314, which comprise a color mixing module 315. After passing through dichroic filters 313 and 314, the combined light beam produced by all the light beams emitted by the collimating lens array 312, passes through fly-eye lens arrays 316 and 320. The fly-eye lens arrays 316 and 320 may be referred to as homogenizing or integration lens arrays. Each of the fly-eye lens arrays 316 and 320 comprises a plurality of converging lenslets. Fly-eye lens array 316, fly-eye lens array 320, and a converging lens 324 are mounted to mounting plates 318 and 322 to form a unitary integration module 340.

In other embodiments, the fly-eye lens arrays 316 and 320 may be replaced by one or more optical diffusers without lenses. In such embodiments, the one or more optical diffusers and the converging lens 324 may be mounted to mounting plates 318 and 322 to form a unitary integration module 340.

In a further embodiment, the fly-eye lens arrays 316 and 320 may be removable from the path of the light beams either manually or through a motor and mechanism that may be controlled by the user via the data link 14 and the controller 200. For example, the fly-eye lens arrays 316 and 320 may be mounted on a pivoting arm that is coupled to a motor and mechanism so that the fly-eye lens arrays 316 and 320 can be controllably swung out of or into the path of the light beam from the LEDs 304. When the fly-eye lens arrays 316 and 320 are removed from the path of the light beams, the combined light output from the LEDs will no longer be

fully homogenized, but may be higher in intensity and may also be useful as a lighting effect.

FIG. 4 presents a schematic diagram of a light engine 450 according to the disclosure. The light engine 450 includes an LED circuit board 400. The LED circuit board 400 includes a plurality of LEDs 404 mounted on a substrate 402. The LED circuit board 400 also includes an electrical connector 408, configured to power the LEDs 404 and to transmit and receive data. Also mounted on substrate 402 is electronic circuitry 406, which includes a non-volatile memory, and logic components. In various embodiments, the electronic circuitry 406 is powered by the electrical connector 408, by other connection to the luminaire 12, or by direct connection to an external power source when not installed in a luminaire. The control system 200, described with reference to FIG. 2, is suitable for use as the electronic circuitry 406 in some embodiments. In some embodiments, the LED circuit board 400 includes an NFC module 432 that is electrically coupled to the electronic circuitry 406. NFC is a standard protocol for short-range, low-power wireless communication and may be supported in devices such as cellular phones.

The light engine 450 further includes optical devices 414, configured to receive a light beam 412a emitted by LEDs 404, and to emit a modified light beam 412b. In some embodiments, the optical devices 414 include a collimation and homogenization system, as well as optical systems such as gobos, prisms, irises, color mixing systems, framing shutters, variable focus lens systems, and other optical devices suitable for use in theatrical luminaires. In embodiments where the optical system is a projection optical system, the modified light beam 412b passes through a projection lens system 416 before exiting the luminaire.

In some embodiments, the controller 200 may position a light sensor 418 within the modified light beam 412b (at position 418a) or outside the modified light beam 412b (at position 418b) to allow the light output from LEDs 404 to be measured (when in position 418a). In other embodiments, the light sensor 418 may be positioned in the light beam 412a, rather than in the light beam 412b.

In some embodiments, the light sensor 418 receives light emitted by all the LEDs 404. In other embodiments, the light sensor 418 receives light emitted by a subset of the LEDs 404 (as discussed in more detail with reference to FIG. 5). In still other embodiments, the light sensor 418 receives light emitted by a plurality of the LEDs 404 within a concentric zone (as discussed in more detail with reference to FIG. 14). In some embodiments, the light sensor 418 is configured to measure only a light level. In other embodiments, the light sensor 418 is configured to measure light level and spectral color information.

In some embodiments, the light sensor 418 is mounted on a mechanism such as an arm or a wheel that is configured to move the light sensor 418 into and out of the light beam 412b. In other embodiments, the light sensor 418 is mounted to one of the optical devices 414, such as a prism, and configured so that when the one of the optical devices 414 is inserted into the light beam 412a, the light sensor 418 is also moved into the light beam 412a.

In some embodiments, the light sensor 418 is electrically and communicatively connected to the control system 200 of the luminaire 12. In other embodiments, the light sensor 418 is electrically and communicatively connected to the electronic circuitry 406 of the LED circuit board 400.

FIG. 5 presents a flow chart of a light measurement process 500 according to the disclosure. The light measurement process 500 is performed while the LED circuit board

400 is installed and in use in the luminaire 12. The light measurement process 500 may be performed by either the control system 200 of the luminaire 12 or by the electronic circuitry 406 of the LED circuit board 400 via the control system 200. In step 502, the processor 202 receives a command directly or indirectly via the data link 14, where the command instructs the luminaire 12 to perform a light level reading. In step 504, the processor 202 reacts to the command by moving the light sensor 418 into the position 418a in the modified light beam 412b via control interface 208, as described with reference to FIGS. 2 and 4. Once the light sensor 418 is in the position 418a, in step 506 the processor 202 takes a light level measurement. In step 508, once the processor 202 has received a signal from light sensor 418 relating to an intensity of the modified light beam 412b, the processor 202 moves the light sensor 418 to position 418b, out of the modified light beam 412b. Finally, in step 510 the processor 202 stores a light level reading in the non-volatile memory of the electronic circuitry 406 of the LED circuit board 400, the light level reading including the data corresponding to the light level measurement received from the light sensor 418. With such a light level reading stored on the LED circuit board 400, when a user moves an LED circuit board 400 from one luminaire to another, or replaces one LED circuit board 400 with another LED circuit board 400, the most recent light level reading of each LED circuit board 400 remains with the LED circuit board 400.

In embodiments that include LED packages with multiple colors of LED dies, step 506 may include taking multiple measurements. In such embodiments, the processor 202 powers LEDs of each color in turn, taking a light level measurement of each color subset of the LED dies. In step 510 of such embodiments, the processor 202 stores the light level reading and a subset (color) identifier for the measured subset in the non-volatile memory of the electronic circuitry 406 of the LED circuit board 400. LEDs of different colors may lose output at differing rates and such embodiments allow the user to track those differing changes between colors.

Similarly, in embodiments that include two or more pluralities of LEDs within concentric zones (as discussed in more detail with reference to FIG. 14), step 506 may include taking multiple measurements. In such embodiments, the processor 202 powers LEDs of each zone in turn, taking a light level measurement of each zone. In step 510 of such embodiments, the processor 202 stores the light level reading and an identifier for the measured zone in the non-volatile memory of the electronic circuitry 406 of the LED circuit board 400. Usage patterns of LEDs in different zones may differ, causing the LEDs of one zone to lose output at a different rate than the LEDs of another zone and such embodiments allow the user to track those differing changes between zones.

In some embodiments, the electronic circuitry 406 of the LED circuit board 400 is configured to store a plurality of light level readings over time, creating a light level history of the LEDs 404 (or subsets of differently colored LEDs). In some such embodiments, the order in which the light level readings are stored is reflected in a memory address at which each light level reading is stored—for example, later readings may be stored at higher memory addresses than earlier readings. In other such embodiments, the electronic circuitry 406 assigns an increasing sequence number to each light level reading as it is stored. In still other such embodiments, the controller 200 includes a clock (or communicates with an external clock) and determines a time at which the data

corresponding to the light level measurement was obtained. In such embodiments, the light level reading stored in the non-volatile memory of the electronic circuitry 406 also includes data relating to the determined time (e.g., a time-stamp). In some such embodiments, the determined time includes both a calendar date and a time of day.

Storing current light level readings on the LED circuit board 400 has a number of benefits for the user. As the LEDs 404 age, their light output reduces. When current light level readings are stored on LED circuit boards 400, the user can adjust light levels emitted by the LED circuit boards 400 or their associated luminaires 12 so that luminaires 12 used together more closely match each other in brightness.

Furthermore, when a light level history is stored on the LED circuit board 400, the user can predict future light levels (for example, using a time series regression) so that when a system of luminaires 12 is used on a long-running show (such as a Broadway production or in a theme park), the user can predict when individual LED circuit boards 400 will need to be replaced.

The stored light level reading data may be read out from the non-volatile memory through the processor 202 and data link 14, or via the NFC module 432. In embodiments storing the light level history, the electronic circuitry 406 of the LED circuit board 400 may be configured to selectively read out either the most recent stored light level reading or the entire light level history.

In further embodiments the non-volatile memory of the electronic circuitry 406 on the LED circuit board 400 may also be used to store data relating to the LED circuit board 400, including, but not limited to, serial number (in any format) of the LED circuit board 400; usage history; power level history; command history; serial numbers of luminaires 12 into which the LED circuit board 400 has been installed; date (which may include both a calendar date and a time of day) on which the LED circuit board 400 was installed, working hours, and last light level reading in the present luminaire 12 and/or into previous luminaires 12 (identified by luminaire serial number); expected reduction in light output from LEDs based on working hours, intensity levels the LEDs were working, and latest (or historical) light level reading(s); and other data about the LED circuit board 400 that could be useful to the user.

As shown in FIG. 2, in yet further embodiments, the data on the LED circuit board 400 may be accessed by an external NFC transceiver 214 such as a cellular phone or smartphone via the NFC module 432 using a radio frequency link 222. This would allow the user or (in the case of a rented product) the product owner, to quickly extract historical usage and/or operational data from an LED circuit board 400 without having to make a direct electrical connection. The NFC transceiver 214 may be configured to read data from the non-volatile memory of the electronic circuitry 406 while the LED circuit board 400 is removed for maintenance or while a luminaire in which it is installed is not coupled to an external power source.

In other embodiments, some or all of the stored data relating to the LED circuit board 400 may be obtained from the electronic circuitry 406 by the processor 202 and stored in the memory 204. Not only stored data relating to the LED circuit board 400 currently installed in the luminaire 12 may be stored in the memory 204, but also data relating to LED circuit boards 400 previously installed in the luminaire 12. Such data may include, for each such previous LED circuit board 400, a serial number, and a date and/or time that the LED circuit board 400 was installed in the luminaire 12.

Such data stored in the memory **204** may be transmitted to one or more control desks **15** via the communication interface **206** and the data link **14** or displayed on a display accessible to a user on an exterior surface of the luminaire **12**. Such data may additionally or alternatively be obtained by the external NFC transceiver **214** via the NFC module **210** using a radio frequency link **220**. Use of the NFC module **210** may be beneficial when wireless communications with the NFC module **432** is blocked once the LED circuit board **400** is installed in the luminaire **12**. The NFC module **210** may be configured to access memory **204** while the luminaire **12** is not coupled to an external power source. A location for the NFC module **210** within the luminaire **12** may be selected to enable wireless communication while the luminaire **12** is installed for operation or while it is stowed for transportation.

FIGS. **6A** and **6B** present an orthogonal rear view of a luminaire **600** without and with an LED circuit board **650** installed, respectively. The chassis of the luminaire **600** includes an LED module mounting plate **604** that surrounds an aperture **602**. The chassis also includes cooling fans **608**. The lenses and other optical systems of the luminaire optical system are mounted within the chassis of the luminaire **600** and remain in the luminaire **600** when the user replaces the LED circuit board **650**. While the luminaire **600** is shown with all outer covers removed for clarity, in some embodiments only a back cover needs to be removed for the user to remove and replace the LED circuit board **650** (or the LED module **700**, described below with reference to FIG. **7**).

The LED module mounting plate **604** includes mounting features to accurately align the LEDs of the LED circuit board **650** with the body of the luminaire and internal optics. Alignment pins **606** protrude from the LED module mounting plate **604** and mate with registration holes **607** in the LED circuit board **650** to align it with the LED module mounting plate **604**. The LED module mounting plate **604** has threaded holes **610** that accept screws from the LED circuit board **650** to affix the LED circuit board **650** to the LED module mounting plate **604**. In FIG. **6B**, an LED circuit board **650** is shown in place with the alignment pins **606** in the registration holes **607** in the LED circuit board **650**, thereby accurately positioning the LEDs of the LED circuit board **650** with the optical systems in the luminaire **600**.

FIG. **7** presents an orthogonal side view of the luminaire **600** of FIGS. **6A** and **6B**, and an LED module **700** according to the disclosure. The LED module **700** is shown in the process of being attached to the rear of the luminaire **600**. The LED module **700** comprises the LED circuit board **650** mounted to a heat sink **620**. The heat sink **620** includes heat pipes **622** configured to transfer heat from a portion of the heat sink **620** adjacent to the LED circuit board **650** to another portion of the heat sink **620**. The heat sink **620** is configured to receive cooler air from one set of the cooling fans **608** and to have heated air removed by the other set of the cooling fans **608**.

While the cooling fans **608** are attached to the chassis of the luminaire **600**, in other embodiments, the LED module **700** includes cooling fans that are installed and removed from the luminaire **600** along with the LED circuit board **650** and the heat sink **620**.

The LED circuit board **650** includes electrical connector **652** configured to provide electrical coupling to the electrical power and control systems of the luminaire **12** as previously described. In some embodiments, the LED circuit board **650** also includes electronic circuitry **406**, as described with reference to FIG. **4**. The LED module **700** is

configured to mechanically couple to the chassis of the luminaire **600** by screws **612**, which connect to the threaded holes **610** shown in FIGS. **6A** and **6B**. In some embodiments, the screws **612** are captive screws. In other embodiments, the LED module **700** mechanically couples to the chassis of the luminaire **600** by another suitable fastener that can be engaged and disengaged, for example, a quarter-turn fastener.

FIG. **8** presents an orthogonal view of the LED module **700** of FIG. **7**. The LED circuit board **650** includes LEDs **654** and is in thermal contact with the heat sink **620**. The LEDs **654** all emit white light. In other embodiments, the LEDs **654** are LED packages with multiple colors of LED dies inside. In some such embodiments, the LEDs **654** may include red, green, blue, and white dies. In other such embodiments, other or additional colors may be included, such as lime, amber, indigo, and other colors.

Accurate alignment of the LED module **700** is provided by alignment pins **606** (shown in FIG. **6A**) which protrude from the LED module mounting plate **604** (or other portion of the chassis of the luminaire **600**) and mate with matching registration holes **607** (one of which is indicated in FIG. **8**) in LED circuit board **650**. In some embodiments, the LED circuit board **650** includes NFC circuitry and an NFC antenna **651**. The NFC antenna **651** is positioned and configured to be accessed by an NFC transceiver outside the luminaire without having to dismantle the luminaire.

FIG. **9** presents an orthogonal view of the LED circuit board **650** of FIGS. **6A**, **6B**, and **7**. LEDs **654** are mounted to the LED circuit board **650** in an array and are rotated with respect to each other along an axis perpendicular to the plane of the LED circuit board **650**. This rotation of the LEDs **654** relative to each other improves homogenization of the light output from the LEDs **654**.

A first plurality of LEDs includes LEDs **654a**, **654b**, **654c**, and **654d**, which are not rotated relative to each other. A second plurality of LEDs includes LEDs **654e**, **654f**, **654g**, and **654h**, which also are not rotated relative to each other. However, the LEDs of the first plurality of LEDs are rotated relative to the LEDs of the second plurality of LEDs. While only two pluralities of commonly-rotated LEDs are identified, it can be seen in FIG. **9** that additional pluralities of commonly-rotated LEDs are present on the LED circuit board **650**.

LED dies are typically square, as is shown in FIG. **9**, or otherwise rectangular. By rotating the LED dies of each plurality of LEDs relative to the other pluralities of LEDs by an amount that is not an integer multiple of  $90^\circ$  ( $90$  degrees), the LED circuit board **650** produces a more rounded or circular beam, reducing the effect on the beam shape of the flat sides of the rectangular dies. By including pluralities of LEDs with a common rotation amount (rather than each LED of the LED circuit board **650** being individually rotated relative to all the other LEDs), the process of designing the LED circuit board **650** is simplified and its manufacturing process is made simpler and less costly.

In order to replace LED module **700**, the user first removes a rear cover (or other access panel) from a housing of the luminaire to gain access to the LED module **700**. In some embodiments, the access panel remains tethered to the luminaire once removed from the luminaire. Via the access aperture, the user electrically uncouples the LED circuit board **650** by disconnecting the electrical connector **652** from the electrical power and control systems of the luminaire **12**, removes the screws **612** to mechanically uncouple the LED module **700** from the luminaire **12**, and removes the LED module **700** through the access aperture. A new LED

module **700** can then be installed in the luminaire **12** by reversing the steps of the removal process. In a further embodiment, the cost of replacing the LED circuit board **650** in the luminaire **12** is further reduced by replacing the LED circuit board **650** on the removed LED module **700** and re-installing the LED module **700**, re-using the heat sink **620**.

In some embodiments, the LED module **700** is mechanically coupled to the rear cover or access panel, and removing the cover or panel mechanically uncouples the LED module **700** from the luminaire **12**.

Replacement of the LED module **700** requires only enough disassembly of the luminaire **12** to access and physically remove the LED module **700**. As the LED module **700** contains only the LED circuit board **650** and heat sink **620**, the cost of replacement is significantly reduced over replacing an LED optical system that includes some or all of the other optical elements of the LED optical system **300** described with reference to FIG. **3**. In some embodiments, all optical elements and LED lenses remain in the luminaire **12** and do not get replaced. In other embodiments, one or both of lens arrays **308** and **312** are part of the LED module **700**.

The alignment pins **606** and matching registration holes **607** in LED circuit board **650** provide alignment structures that ensure accurate alignment of the LEDs with their associated optics. However, the disclosure is not so limited and in other embodiments other alignment methods may be used without departing from the spirit of the disclosure. For example, in other embodiments other numbers and shapes of alignment pins and matching registration holes could be used, as could tabs and slots, or other mechanical alignment structures comprising alignment protrusions and corresponding registration receptacles configured to ensure that no optical alignment of the LED module **700** is required, once installed. In all embodiments, the alignment protrusions may be part of the LED circuit board **650** and the registration receptacles part of the LED module mounting plate **604** or other portion of the chassis of the luminaire **600**.

FIGS. **10** and **11** present a ray trace view of a zoom optical system **800** according to the disclosure in respective first and second configurations. The zoom optical system **800** comprises an LED light engine **850** and a three-group zoom lens system that includes lens groups **804**, **806**, and **808**. The LED light engine **850** may be the light engine **300** or **450** as described with reference to FIGS. **3** and **4**, respectively, or may be another light engine according to the disclosure. Lens groups **804** and **806** are independently movable in a direction parallel to an optical axis **812** of the zoom optical system **800**, enabling an operator to adjust focus and beam angle of a light beam emitted by the zoom optical system **800**. The lens group **808** is an output lens group and is fixed in position relative to the LED light engine **850**.

While the lens groups **804**, **806**, and **808** are referred to herein as ‘groups,’ it will be understood that any or all of the lens groups **804**, **806**, and **808** may include a single lens or a plurality of lenses. With reference to FIG. **4**, in some embodiments the lens groups **804**, **806**, and **808** are elements of the projection lens system **416**. In other embodiments, the lens groups **804** and **806** are elements of the optical devices **414** and the output lens group **808** is an element of the projection lens system **416**.

FIG. **10** shows the zoom optical system **800** in a first configuration, where lens groups **804** and **806** are positioned so as to produce a wide-angle output beam. A ray **810** indicates a light beam originating from a periphery of the LED light engine **850** and forming a periphery of the light

beam emitted by the zoom optical system **800**. The ray **810** may be seen to fall well within the diameter of the output lens group **808**. An output ray **811** shows a ray emerging from the LED light engine **850** intermediate between the peripheral ray **810** and the optical axis **812**.

FIG. **11** shows the zoom optical system **800** in a second configuration, where lens groups **804** and **806** are positioned so as to produce a narrow-angle output beam. The ray **814** emerging from the periphery of the LED light engine **850** can be seen to fall outside of the diameter of the output lens group **808**. This is referred to as vignetting. When the zoom optical system **800** is mounted in a luminaire whose housing encloses the lens group **808**, the housing may block the ray **810** and other rays that pass around the outside of the output lens group **808**, resulting in a loss of brightness from the luminaire and an increased heat in the luminaire caused by the blocked light. The diameter of the output lens group **808** may be increased, in order to capture the ray **810**. However, increasing the diameter of a lens can make it heavier and increase the overall size of the luminaire, which may limit the amount by which the lens diameter can be increased, limiting the amount of the periphery of the beam than can be captured.

FIGS. **12** and **13** present a ray trace view of a second zoom optical system **900** according to the disclosure in respective first and second configurations. The views in FIGS. **12** and **13** are similar to those in FIGS. **10** and **11**, but provide a more complete representation of the optical system **900**. The zoom optical system **900** comprises an LED light engine **950** and a three-group zoom lens system that includes lens groups **904**, **906**, and **908**. The LED light engine **950** may be the light engine **300** or **450** as described with reference to FIGS. **3** and **4**, respectively, or may be another light engine according to the disclosure. Lens groups **904** and **906** are independently movable in a direction parallel to an optical axis **912** of the zoom optical system **900**, enabling an operator to adjust focus and beam angle of a light beam emitted by the zoom optical system **900**. The lens group **908** is an output lens group and is fixed in position relative to the LED light engine **950**.

FIG. **12** shows the zoom optical system **900** in a first configuration, where lens groups **904** and **906** are positioned so as to produce a wide-angle output beam. A ray **910** indicates a light beam originating from a periphery of the LED light engine **950** and forming a periphery of the light beam emitted by the zoom optical system **900**. The ray **910** may be seen to fall well within the diameter of the output lens group **908**. An output ray **911** shows a ray emerging from the LED light engine **950** intermediate between the peripheral ray **910** and the optical axis **912**.

FIG. **13** shows the zoom optical system **900** in a second configuration, where lens groups **904** and **906** are positioned so as to produce a narrow-angle output beam. A ray **914** originating from a periphery of the LED light engine **950** can be seen to fall outside of the diameter of the output lens group **908**. As described with reference to FIG. **11**, this vignetting may result in a loss of brightness from the luminaire and an increased heat in the luminaire caused by the blocked light.

FIG. **14** presents a plan view of a second LED circuit board **1050** according to the disclosure. The LED circuit board **1050** provides an improved solution to the problem of vignetting described with reference to FIGS. **11** and **13** and is suitable for use in the LED light engines **850** and **950**, described with reference to FIGS. **11** and **13**. The individual LEDs in the LED circuit board **1050** are electrically connected such that they are controllable in concentric zones,

generally indicated by dashed lines **1062**, **1064**, and **1066**. An intensity of an LED **1054c** and other LEDs of a plurality of LEDs that are within the central zone **1062** are controlled together. An intensity of an LED **1054b** and other LEDs of a plurality of LEDs that are within the intermediate zone **1064** but outside the central zone **1062** are controlled together. An intensity of an LED **1054a** and other LEDs of a plurality of LEDs that are within the outer zone **1066** but outside the intermediate zone **1064** are controlled together.

While the following comments describe features of the LED circuit board in the context of FIGS. **10** and **11**, it will be understood that the comments also apply to the use of the LED circuit board **1050** in the zoom optical system **900** of FIGS. **12** and **13**. When the zoom optical system **800** is moved to the narrow angle beam configuration shown in FIG. **11**, the control system **200** responds by reducing the power applied to LEDs in the outer zone **1066** and increasing power to the LEDs in the intermediate zone **1064** and center zone **1062**. This reduces the light loss caused by vignetting as illustrated in FIG. **11** by providing more brightness from the LEDs that comprise the non-vignetted portions of the light beam. In other embodiments, the zoom optical system **800** may produce a still narrower angle beam configuration, and power applied to the LEDs in both the outer zone **1066** and the intermediate zone **1064** is reduced and power to the LEDs in the center zone **1062** may be increased.

In some embodiments, higher power LEDs (i.e., LEDs capable of handling higher drive current) are provided in the center zone **1062** (and in some such embodiments in the intermediate zone **1064**, as well). In such embodiments, if a brighter beam from the luminaire **12** is desired by an operator when the optical system is zoomed to a narrow beam angle, power to the higher power LEDs in the center zone **1062** (and the intermediate zone **1064**) may be increased to produce a significantly brighter beam. If the operator desires the beam brightness to remain constant as the optical system zooms from a wider beam to a narrower beam, power to the LEDs in the center zone **1062** and the intermediate zone **1064** may be controlled to produce the desired constant beam brightness.

In some embodiments, when the zoom optical system **800** is in the narrow angle beam configuration shown in FIG. **11**, the control system **200** applies no power to the LEDs in the outer zone **1066**. In some such embodiments, when the zoom optical system **800** is in an intermediate configuration between the wide angle of FIG. **10** and the narrow angle of FIG. **11**, the control system **200** applies a reduced power to the LEDs in the outer zone **1066**.

In some embodiments, the LED circuit board **1050** includes electronic circuitry **406**, as described with reference to FIG. **4**, and it is the electronic circuitry **406** that reduces power to, switches off, and/or increases power to LEDs in the zones **1062**, **1064**, and **1066**. In such embodiments, the electronic circuitry **406** is configured to receive a control signal from the control system **200** or from another device external to the LED circuit board **1050**, the signal relating to a beam angle configuration of the zoom optical system **800**. In response to the received signal, the electronic circuitry **406** determines what changes (if any) to make to the power allocated to the zones **1062**, **1064**, and **1066**, which zones to change power allocation to, and in what amounts to change that power. In such embodiments, power transistors for the LEDs may be located either in the LED module (e.g., LED module **700**, described with reference to FIGS. **7** and **8**) or in the luminaire **12**.

In some embodiments, the overall total power provided to the LEDs is kept constant, but the ratio of power to each zone is changed, according to a desired zoom angle. As described in more detail with reference to FIG. **15**, in some embodiments, more or fewer than three LED zones may be provided. Regarding the concentric zones **1062**, **1064**, and **1066**, the LEDs that are considered within a zone (and therefore have their intensities jointly controlled) may be located either entirely or partially within the dashed lines. The overall total power can be decreased, without decreasing light output by dimming or switching off vignettted LED zones. This also reduces heat produced inside of the luminaire **12**, reducing the heat load on electronics and plastic components within the luminaire **12**.

While the LED circuit board **1050** has been described as used with the zoom optical system **800**, in other embodiments the LED circuit board **1050** may be used with other adjustable optical elements. For example, in some embodiments the power provided to the zones may be based on an aperture size of a beam-size iris, an adjustment of framing shutters, a selected gobo, or other configuration of one or more adjustable optical elements.

In some embodiments, the power provided to each zone may be based on a control signal received at the controller **200** from a control desk **15** or other external source. In some such embodiments, the power provided to the zones may be based on a configuration of adjustable optical elements unless it is overridden by a control signal received at the controller **200** from an external source.

The adjustable zones of the LED circuit board **1050** provide other benefits. Better output brightness is provided when the zoom optical system **800** is producing a narrow beam without increasing total power, or the same output brightness is provided with lower total power. Better reliability of the luminaire **12** is obtained due to an increased lifetime of luminaire components, electronics, and LEDs resulting from the reduced heat load described above. Such a result is particularly beneficial in sealed luminaires. In some embodiments, LEDs capable of higher possible currents can be used for central zones to provide bigger difference between our and standard solution.

FIG. **15** presents an oblique view of a third LED circuit board **1150** according to the disclosure. The LED circuit board **1150** has five concentric zones **1162**, **1164**, **1166**, **1168**, and **1170**. The LEDs within each zone are indicated by five different cross-hatch patterns. The central zone **1162** is surrounded by successively larger concentric zones **1164**, **1166**, and **1168**, all of which are surrounded by the outer zone **1170**. As for the LED circuit board **1050**, the intensity of the LEDs in each zone of the LED circuit board **1150** are controlled together, and each zone may be controlled independent of the other zones.

While the LED circuit boards **301**, **400**, **650**, and **850** have been described herein as used with different optical systems and luminaires, it will be understood that each may be used in combination with the other described optical systems and with other, undescribed optical systems.

While the disclosure has been described with respect to a limited number of embodiments, those skilled in the art, having benefit of this disclosure, will appreciate that other embodiments may be devised which do not depart from the scope of the disclosure herein. While the disclosure has been described in detail, it should be understood that various changes, substitutions and alterations can be made hereto without departing from the spirit and scope of the disclosure.

15

What is claimed is:

**1.** A light-emitting diode (LED) module, comprising:  
an LED circuit board, comprising:

an array of LEDs comprising two or more pluralities of LEDs, where the LEDs of a first plurality of the two or more pluralities of LEDs are rotated along an axis perpendicular to a plane of the LED circuit board, the rotation being relative to the LEDs of a second plurality of the two or more pluralities of LEDs, the rotation being by an amount that is not an integer multiple of 90°, the LEDs of the first plurality of LEDs are not rotated relative to each other, and the LEDs of the second plurality of LEDs are not rotated relative to each other; and

an electrical connector configured to power the array of LEDs,

the LED module configured to be removed from of a luminaire comprising a housing enclosing an optical system that includes the LED module and other optical devices, the LED module configured to be removed from the luminaire by electrically uncoupling the LED circuit board from the luminaire and mechanically uncoupling the LED module from the luminaire without removing other optical devices of the optical system from the housing.

**2.** The LED module of claim **1**, wherein the array of LEDs comprises primary optics.

**3.** The LED module of claim **1**, wherein one of the LED circuit board and the luminaire further comprises registration receptacles configured to receive alignment protrusions of the other one of the LED circuit board and the luminaire, the alignment protrusions and the registration receptacles configured to optically align the LED circuit board with the optical system.

**4.** The LED module of claim **1**, wherein the LED module is configured to mechanically couple to the luminaire by screws.

**5.** The LED module of claim **1**, further comprising a heat sink mechanically and thermally coupled to the LED circuit board.

**6.** The LED module of claim **5**, wherein the heat sink comprises heat pipes.

**7.** The LED module of claim **1**, wherein the LED circuit board further comprises electronic circuitry configured to receive and store in non-volatile memory a light level reading including data relating to a measurement of light output produced by the array of LEDs.

**8.** The LED module of claim **7**, wherein the LED circuit board further comprises a Near Field Communication (NFC) module, the LED circuit board configured to send the stored light level reading to an external NFC transceiver via the NFC module.

**9.** The LED module of claim **8**, wherein the NFC module is configured to read data from the non-volatile memory of the electronic circuitry when the LED circuit board is electrically uncoupled from the luminaire or the luminaire is not coupled to an external power source.

**10.** The LED module of claim **7**, wherein the electronic circuitry is further configured to store a second light level reading in the non-volatile memory.

**11.** The LED module of claim **10**, wherein the electronic circuitry is further configured to provide a selective read out of either the second light level reading or both the first and second light level readings.

16

**12.** A luminaire comprising:  
a controller; and

a housing enclosing an optical system comprising a light-emitting diode (LED) module and other optical devices, the LED module comprising:  
an LED circuit board electrically coupled to the controller,

the LED circuit board comprising an array of LEDs, the array of LEDs comprising two or more pluralities of LEDs, the LEDs of the first plurality of the two or more pluralities of LEDs rotated along an axis perpendicular to a plane of the LED circuit board, the rotation being relative to the LEDs of the second plurality of the two or more pluralities of LEDs, the rotation being by an amount that is not an integer multiple of 90°, the LEDs of the first plurality of LEDs are not rotated relative to each other, the LEDs of the second plurality of LEDs are not rotated relative to each other,

wherein the LED module is configured to be removed from the luminaire without removing other optical devices of the optical system from the housing by electrically uncoupling the LED circuit board from the controller and mechanically uncoupling the LED module from the luminaire.

**13.** The LED module of claim **12**, wherein the array of LEDs comprises primary optics.

**14.** The luminaire of claim **12**, wherein the LED module further comprises a heat sink mechanically and thermally coupled to the LED circuit board.

**15.** The luminaire of claim **12**, wherein one of the LED circuit board and the luminaire further comprises registration receptacles configured to receive alignment protrusions of the other one of the LED circuit board and the luminaire, the alignment protrusions and the registration receptacles configured to optically align the LED circuit board with the optical system.

**16.** The luminaire of claim **12**, wherein the LED module is configured to mechanically couple to the luminaire by screws.

**17.** The luminaire of claim **12**, wherein the LED circuit board further comprises electronic circuitry configured to receive, from the controller, a light level reading including data relating to a measurement of light output produced by the array of LEDs and to store the light level reading in non-volatile memory.

**18.** The luminaire of claim **17**, wherein the LED circuit board further comprises a Near Field Communication (NFC) module, the LED circuit board configured to send the stored light level reading to an external NFC transceiver via the NFC module.

**19.** The luminaire of claim **17**, wherein the controller is configured to obtain a measurement relating to light output produced by the LEDs and to cause the electronic circuitry to store data relating to the measurement as the light level reading.

**20.** The luminaire of claim **19**, wherein the array of LEDs includes a subset of LEDs emitting light of a common color and the controller is further configured to apply power to only the subset of LEDs and to store, as part of the light level reading, data identifying the subset of LEDs.

**21.** The luminaire of claim **19**, wherein the controller is further configured to obtain a second measurement relating to light output produced by the LEDs and to cause the electronic circuitry to store data relating to the second measurement as a second light level reading.

**22.** The luminaire of claim **21**, wherein the controller is further configured to selectively read from the electronic

circuitry either the second light level reading or both the first and second light level readings.

23. The luminaire of claim 19, wherein the controller is further configured to position a light sensor in a light beam produced by the array of LEDs to obtain the measurement. 5

24. The luminaire of claim 19, wherein the controller is further configured to cause the electronic circuitry to store, as part of the light level reading, data relating to a time the measurement was obtained.

\* \* \* \* \*