



(12) **United States Patent**
Jurik et al.

(10) **Patent No.:** **US 11,032,882 B2**
(45) **Date of Patent:** **Jun. 8, 2021**

(54) **REMOVABLE LED MODULE WITH ZONAL INTENSITY CONTROL**

(71) Applicant: **Robe Lighting s.r.o.**, Roznov pod Radhostem (CZ)
(72) Inventors: **Pavel Jurik**, Prostredni Becva (CZ); **Tomas David**, Podoli (CZ); **Jindrich Vavrik**, Zubri (CZ); **Jan Vilem**, Vsetin (CZ); **Josef Valchar**, Prostredni Becva (CZ)
(73) Assignee: **Robe Lighting s.r.o.**, Roznov pod Radhostem (CZ)

(*) Notice: Subject to any disclaimer, the term of this patent is extended or adjusted under 35 U.S.C. 154(b) by 0 days.

(21) Appl. No.: **16/839,735**

(22) Filed: **Apr. 3, 2020**

(65) **Prior Publication Data**

US 2020/0236759 A1 Jul. 23, 2020

Related U.S. Application Data

(60) Provisional application No. 62/896,739, filed on Sep. 6, 2019.

(51) **Int. Cl.**
H05B 47/28 (2020.01)
F21V 29/70 (2015.01)
(Continued)

(52) **U.S. Cl.**
CPC **H05B 45/12** (2020.01); **F21V 5/007** (2013.01); **F21V 19/0055** (2013.01);
(Continued)

(58) **Field of Classification Search**
CPC F21V 19/003; F21V 19/0035; F21V 19/0055; F21V 19/04; F21V 19/042;
(Continued)

(56) **References Cited**

U.S. PATENT DOCUMENTS

6,843,586 B1 1/2005 Allaire
7,810,968 B1* 10/2010 Walker F21V 29/75
362/431

(Continued)

FOREIGN PATENT DOCUMENTS

CN 112555782 A 3/2021
EP 3799532 A1 3/2021

(Continued)

OTHER PUBLICATIONS

Jurik, Pavel, et al.; U.S. Appl. No. 16/839,707, filed Apr. 3, 2020;
Title: Removable LED Module; 46 pages.

(Continued)

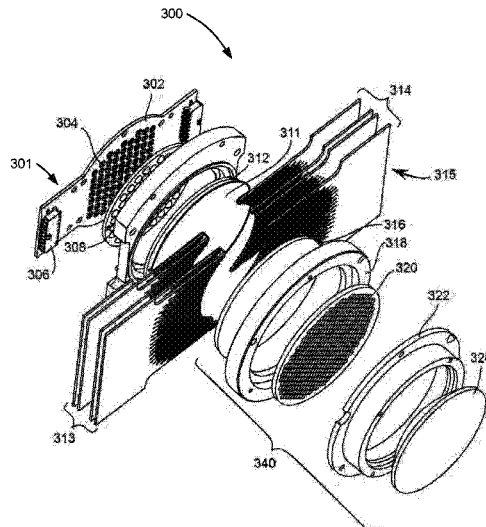
Primary Examiner — Jason Crawford

(74) *Attorney, Agent, or Firm* — Conley Rose, P.C.;
Brooks W Taylor

(57) **ABSTRACT**

An LED module and luminaire are provided. The luminaire includes a controller and an optical system with adjustable optical elements and an LED module with an LED circuit board electrically coupled to the controller. The LED circuit board includes an array of LEDs configured in two or more concentric zones, each zone including a plurality of LEDs. Intensity of the LEDs of a first zone is controlled independently of the LEDs of a second zone. The controller controls the intensity of at least the first zone based upon a configuration of the adjustable optical elements. The LED module can be removed from the luminaire without removing other elements of the optical system by electrically uncoupling the LED circuit board from the controller and mechanically uncoupling the LED module from the luminaire.

22 Claims, 13 Drawing Sheets



- (51) **Int. Cl.**
F21V 19/00 (2006.01)
H05B 45/12 (2020.01)
H05B 47/19 (2020.01)
F21V 5/00 (2018.01)
F21V 19/04 (2006.01)
F21V 23/06 (2006.01)
F21V 29/51 (2015.01)
F21V 23/04 (2006.01)
F21Y 105/18 (2016.01)
F21Y 115/10 (2016.01)

- (52) **U.S. Cl.**
 CPC *F21V 19/04* (2013.01); *F21V 23/0435*
 (2013.01); *F21V 23/0457* (2013.01); *F21V*
23/06 (2013.01); *F21V 29/51* (2015.01); *F21V*
29/70 (2015.01); *H05B 47/19* (2020.01);
H05B 47/28 (2020.01); *F21Y 2105/18*
 (2016.08); *F21Y 2115/10* (2016.08)

- (58) **Field of Classification Search**
 CPC F21V 19/045; F21V 29/80–81; F21V
 29/70–71; H05B 45/10; H05B 45/12;
 H05B 47/19; H05B 47/28
 See application file for complete search history.

(56) **References Cited**

U.S. PATENT DOCUMENTS

8,002,446 B1	8/2011	Plunk et al.	
8,678,605 B2	3/2014	Leadford	
8,926,145 B2*	1/2015	Lynch	F21V 29/773 362/373
9,408,282 B1*	8/2016	Springer	F21V 19/006
9,726,337 B2	8/2017	Hedberg, Jr.	
9,974,147 B1	5/2018	Davis et al.	
10,125,946 B2	11/2018	Meerbeek et al.	
2004/0095771 A1	5/2004	McDonald	
2009/0196016 A1*	8/2009	Massara	H05B 47/115 362/86
2010/0014289 A1*	1/2010	Thomas	F21V 19/003 362/235
2011/0194282 A1*	8/2011	Paik	F21V 13/04 362/245
2012/0051065 A1*	3/2012	Daily	F21V 19/0055 362/311.02
2012/0155080 A1*	6/2012	Schupple	F21V 29/80 362/235
2013/0278163 A1	10/2013	Rodriguez et al.	
2013/0293112 A1*	11/2013	Reed	H05B 45/20 315/131
2013/0294085 A1*	11/2013	Watanabe	F21V 29/85 362/294

2014/0119031 A1*	5/2014	Van Compel	F21K 9/20 362/311.02
2015/0009677 A1*	1/2015	Catalano	F21V 7/06 362/296.07
2015/0167937 A1*	6/2015	Casper	H05B 45/50 362/294
2015/0198324 A1*	7/2015	O'Brien	F21S 8/026 362/294
2015/0338077 A1*	11/2015	Johnson	F21V 23/045 362/234
2016/0123541 A1*	5/2016	Quilici	H05B 45/20 315/210
2016/0273741 A1*	9/2016	Jung	F21V 19/0055
2017/0094756 A1*	3/2017	Saffari	A01K 63/06
2017/0171949 A1*	6/2017	Kim	H05B 47/11
2017/0184289 A1*	6/2017	Nolan	G01C 19/02
2018/0042092 A1*	2/2018	Bowser	H05B 47/18
2018/0160511 A1	6/2018	Haverlag et al.	
2018/0343403 A1*	11/2018	Mehdi	H04N 5/2256
2019/0219249 A1	7/2019	David et al.	

FOREIGN PATENT DOCUMENTS

EP	3800393 A1	4/2021
EP	3800394 A1	4/2021

OTHER PUBLICATIONS

Jurik, Pavel, et al.; U.S. Appl. No. 16/839,711, filed Apr. 3, 2020; Title: Removable LED Module with Rotated LED Emitter Groups; 46 pages.
 Office Action dated May 26, 2020; U.S. Appl. No. 16/839,707, filed Apr. 3, 2020; 19 pages.
 Office Action dated Jun. 15, 2020; U.S. Appl. No. 16/839,711, filed Apr. 3, 2020; 16 pages.
 Final Office Action dated Aug. 20, 2020; U.S. Appl. No. 16/839,707, filed Apr. 3, 2020; 24 pages.
 Advisory Action dated Oct. 27, 2020; U.S. Appl. No. 16/839,707, filed Apr. 3, 2020; 3 pages.
 Final Office Action dated Oct. 30, 2020; U.S. Appl. No. 16/839,711, filed Apr. 3, 2020; 21 pages.
 Notice of Allowance dated Dec. 31, 2020; U.S. Appl. No. 16/839,707, filed Apr. 3, 2020; 13 pages.
 Notice of Allowance dated Feb. 24, 2021; U.S. Appl. No. 16/839,711, filed Apr. 3, 2020; 12 pages.
 European Extended Search Report dated Feb. 24, 2021; Application No. 20192235.8; filed Aug. 21, 2020; 7 pages.
 European Extended Search Report dated Feb. 9, 2021; Application No. 20194726.4; filed Sep. 4, 2020; 6 pages.
 European Extended Search Report dated Feb. 9, 2021; Application No. 20194740.5; filed Sep. 4, 2020; 6 pages.

* cited by examiner

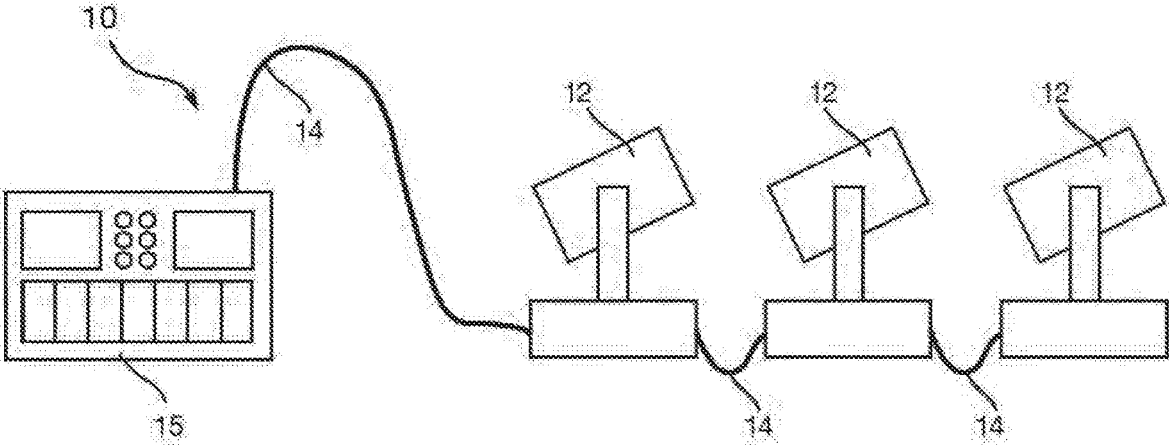


FIG. 1

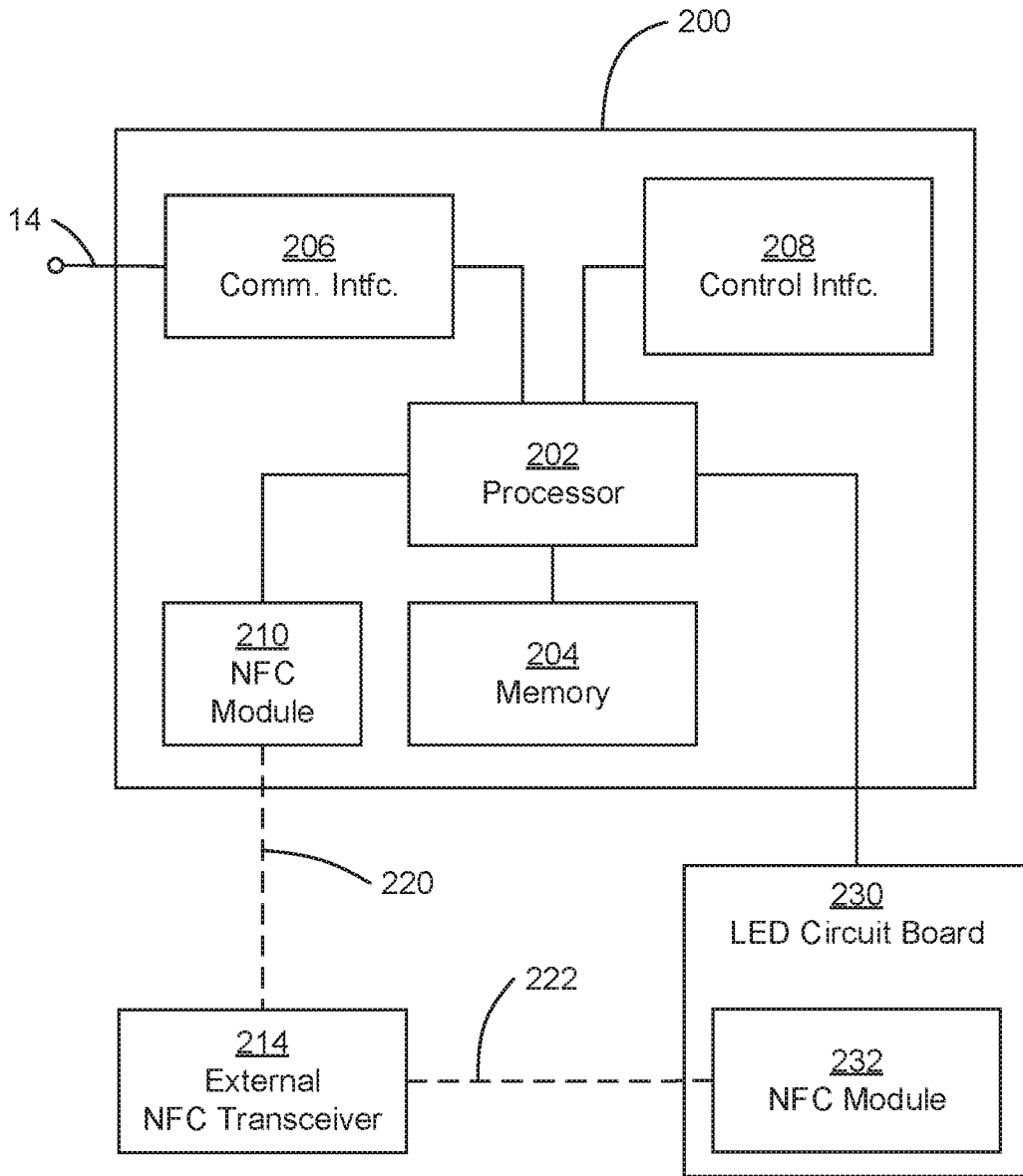


FIG. 2

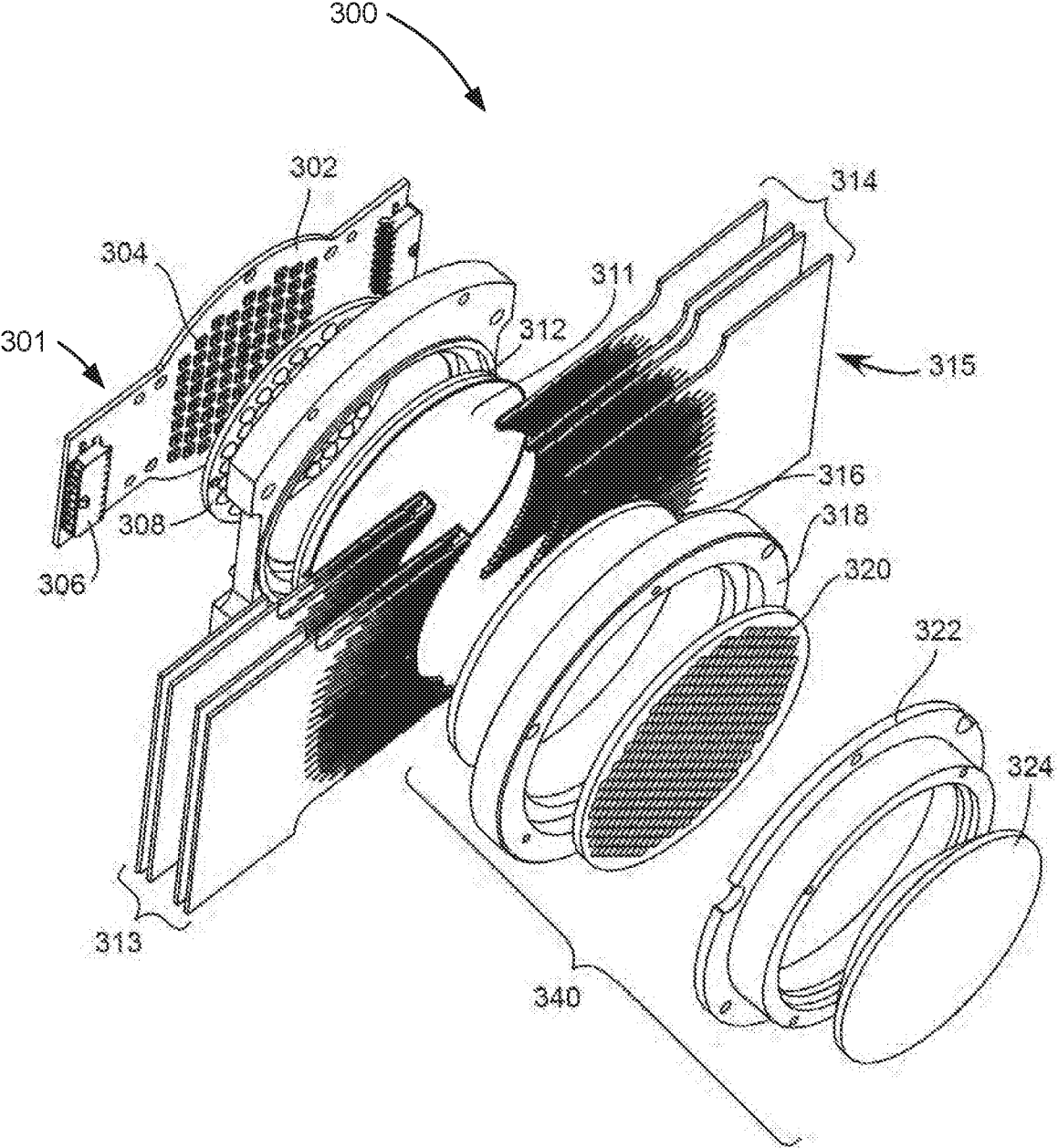


FIG. 3

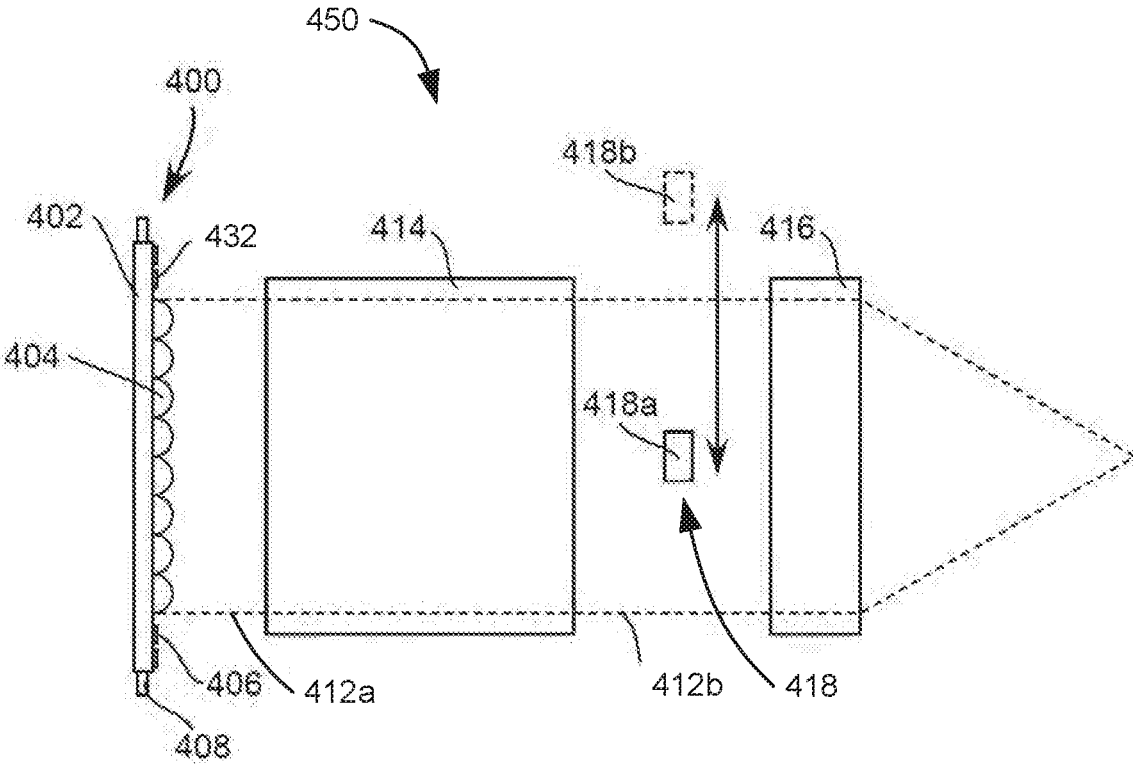


FIG. 4

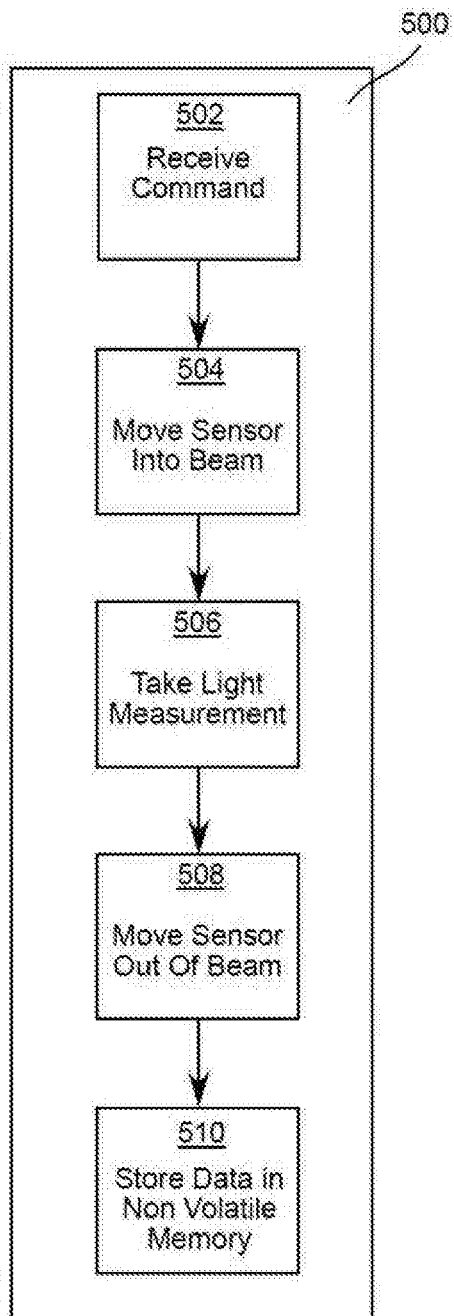


FIG. 5

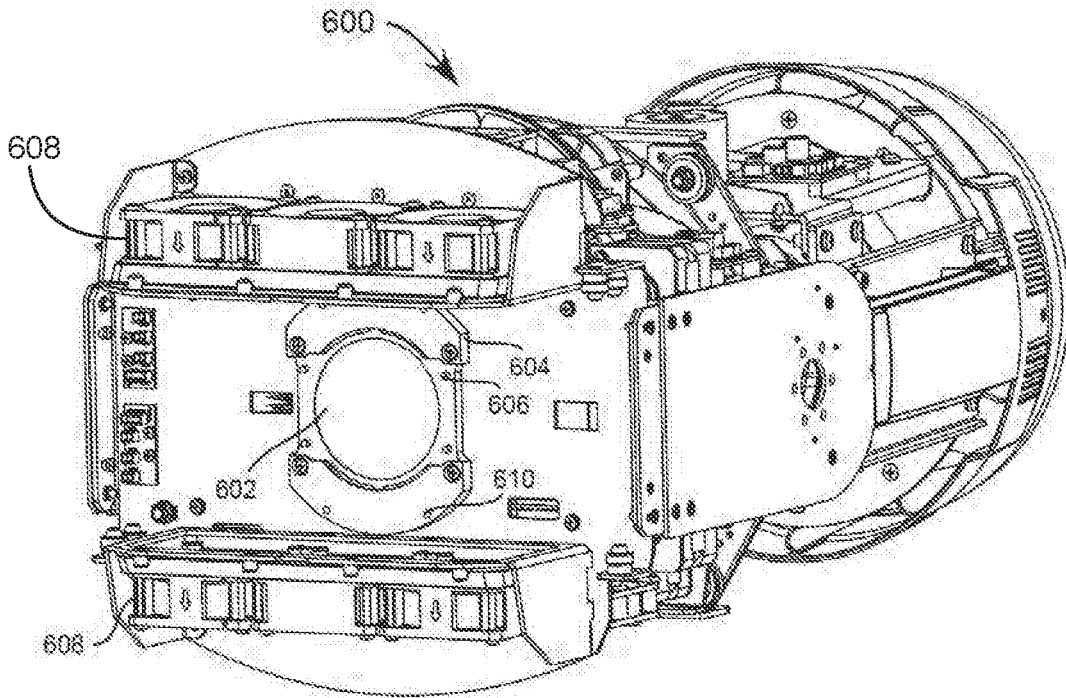


FIG. 6A

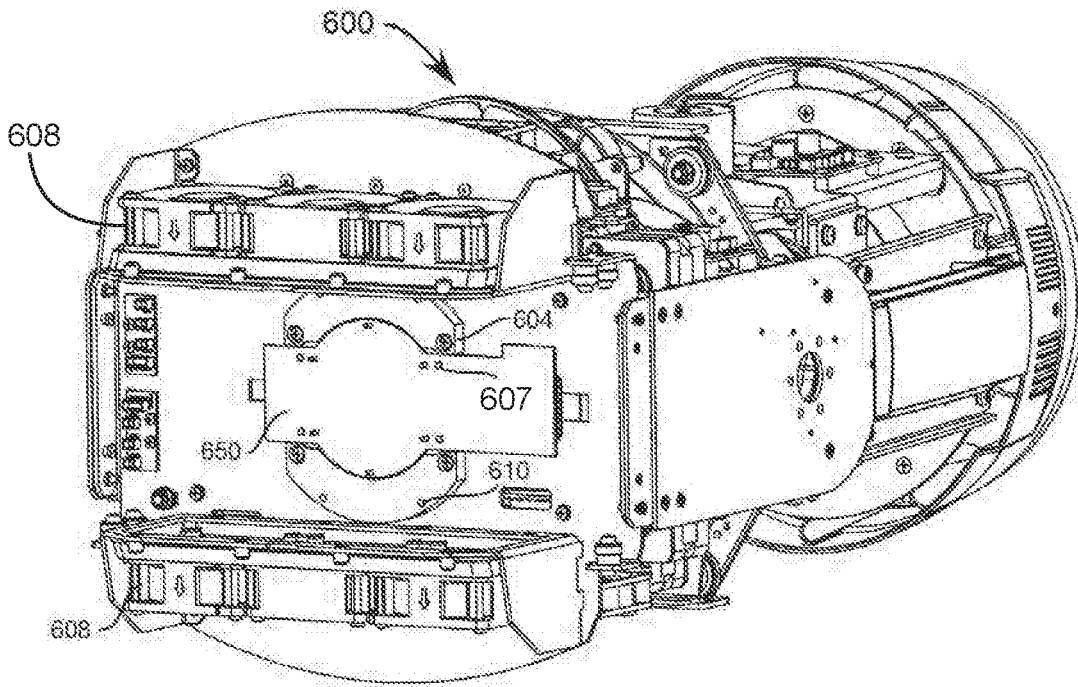


FIG. 6B

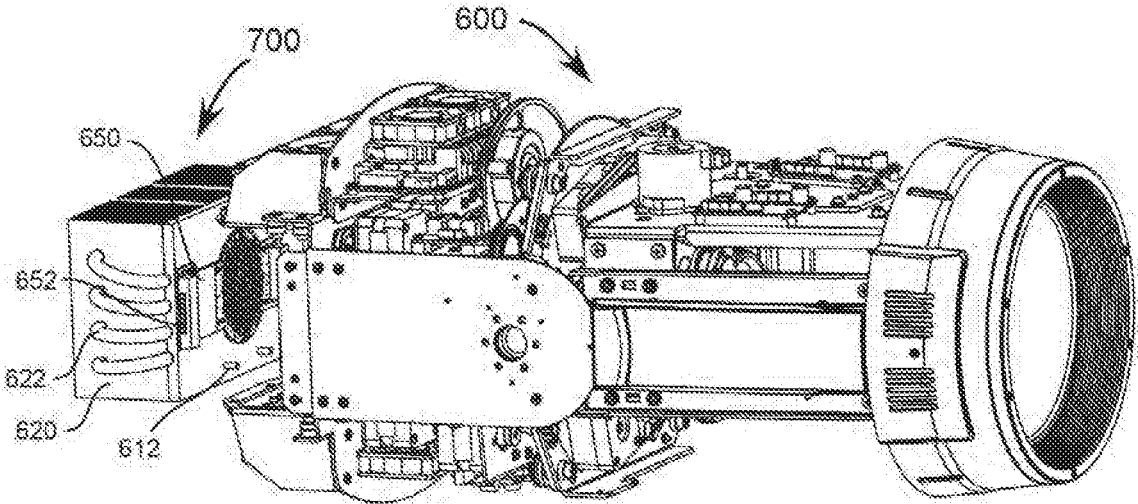


FIG. 7

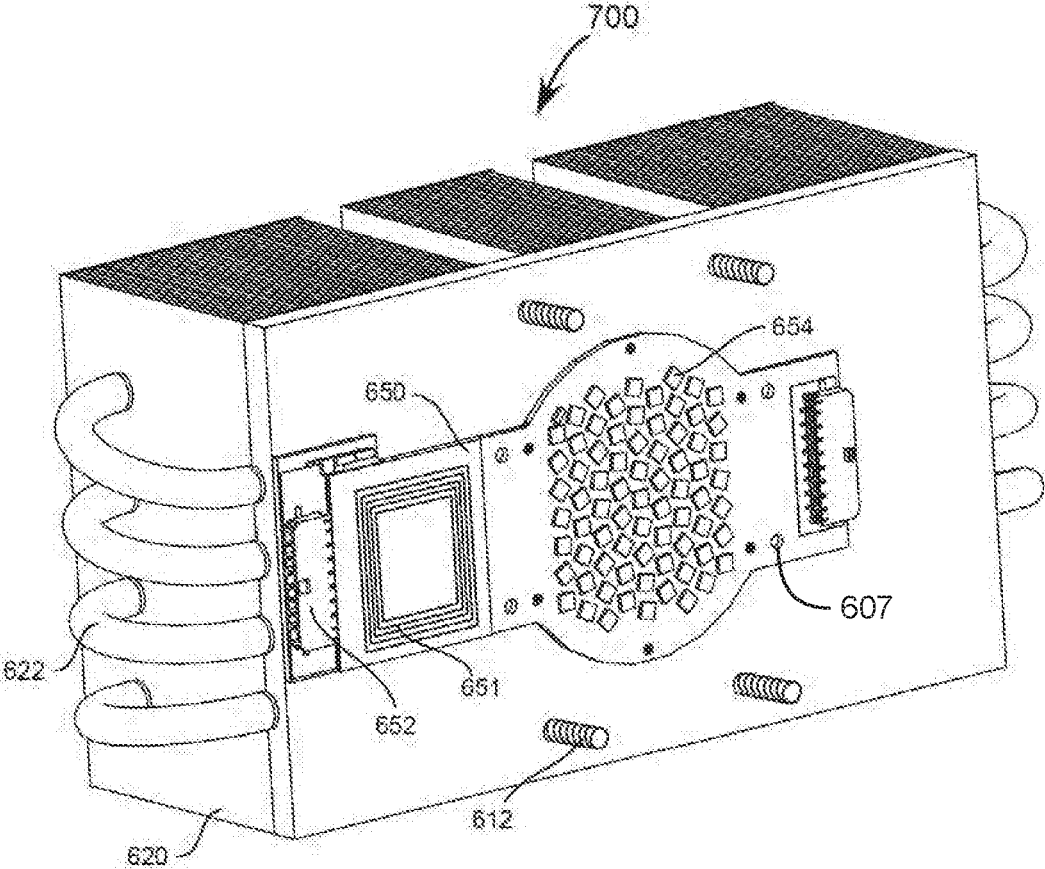


FIG. 8

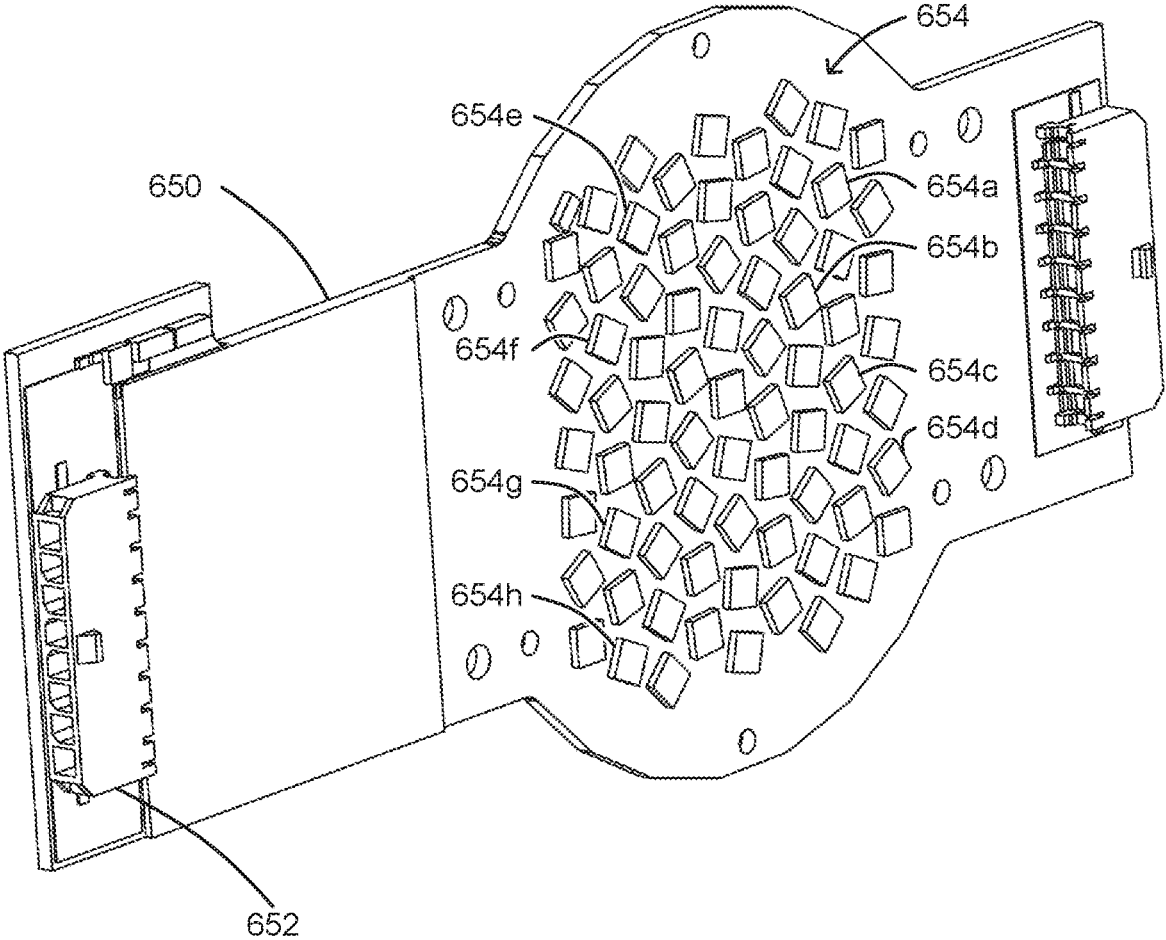


FIG. 9

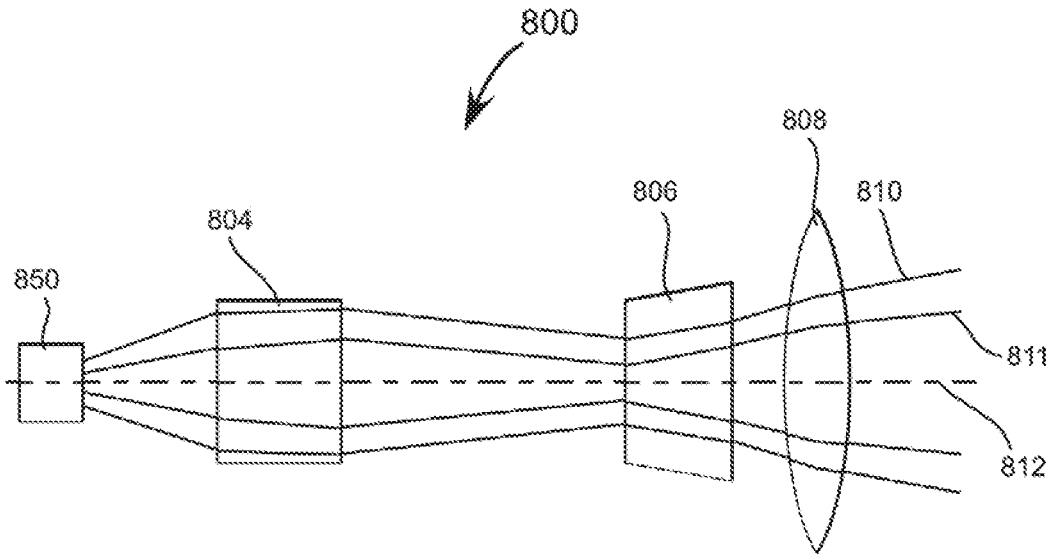


FIG. 10

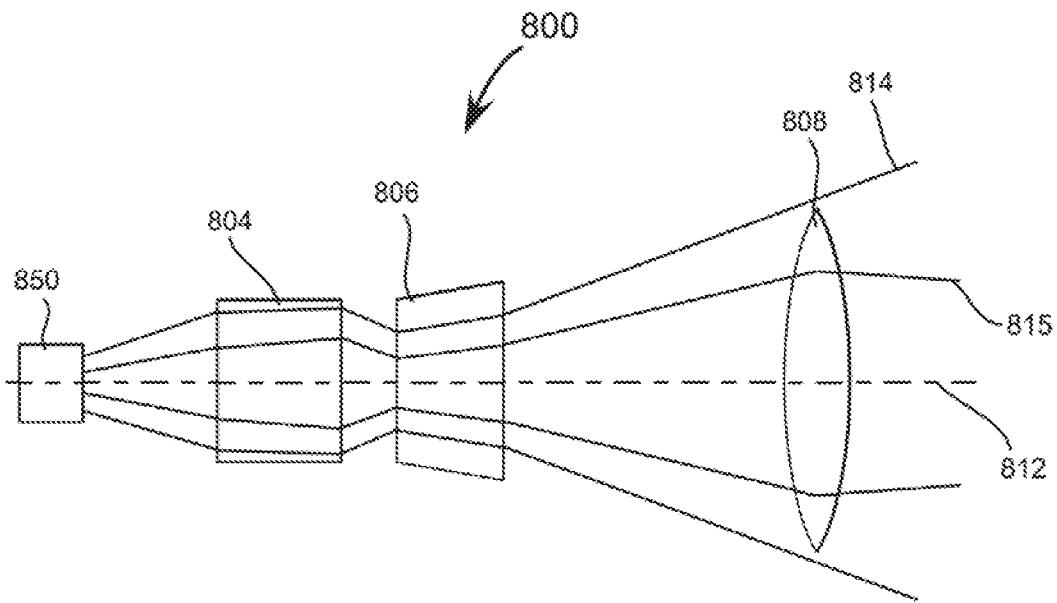


FIG. 11

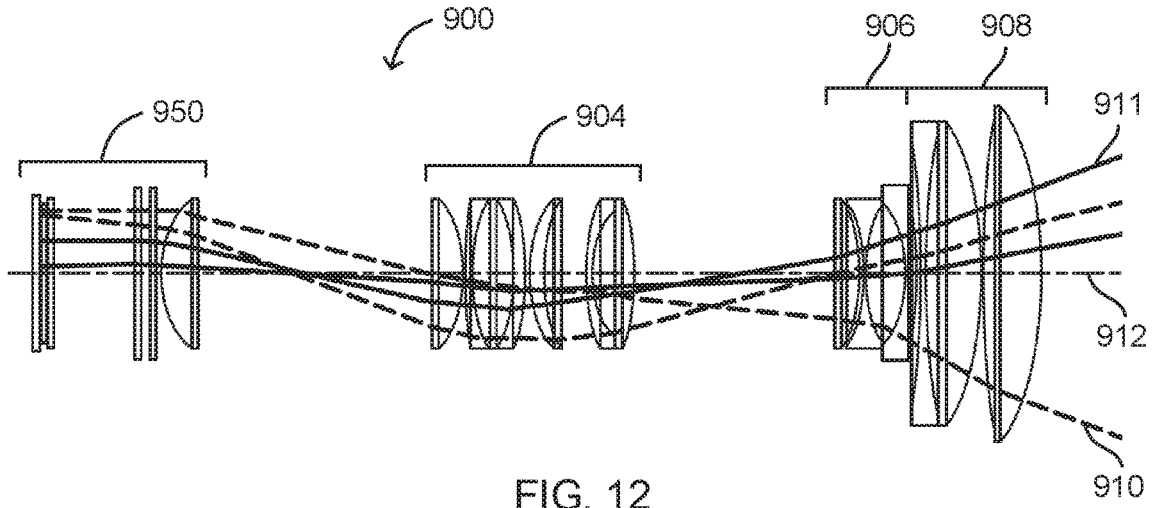


FIG. 12

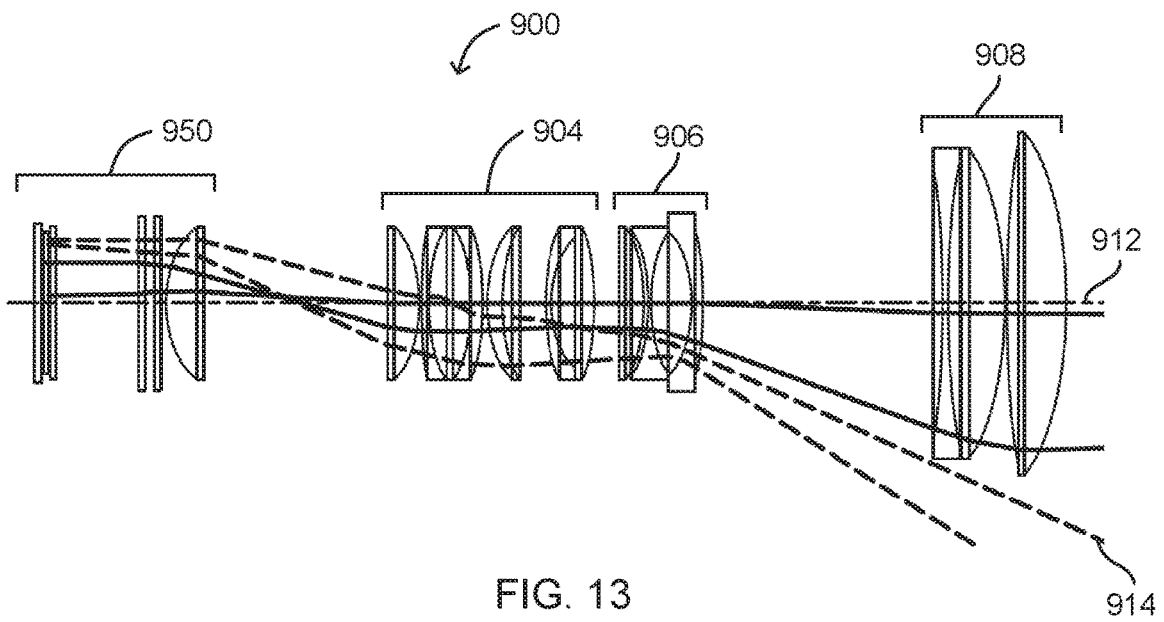


FIG. 13

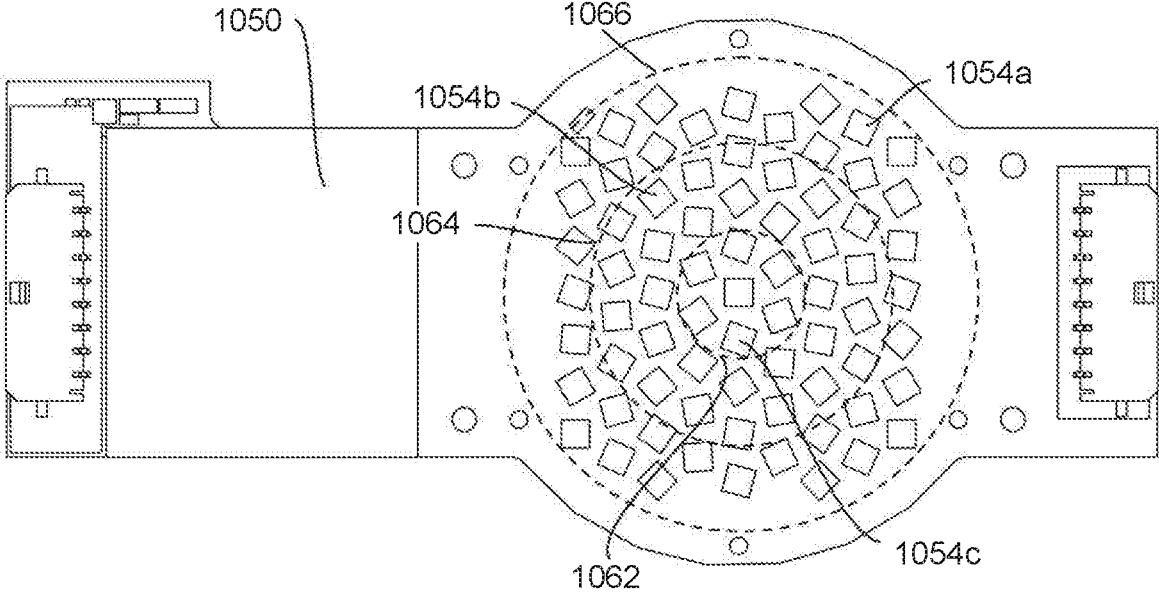


FIG. 14

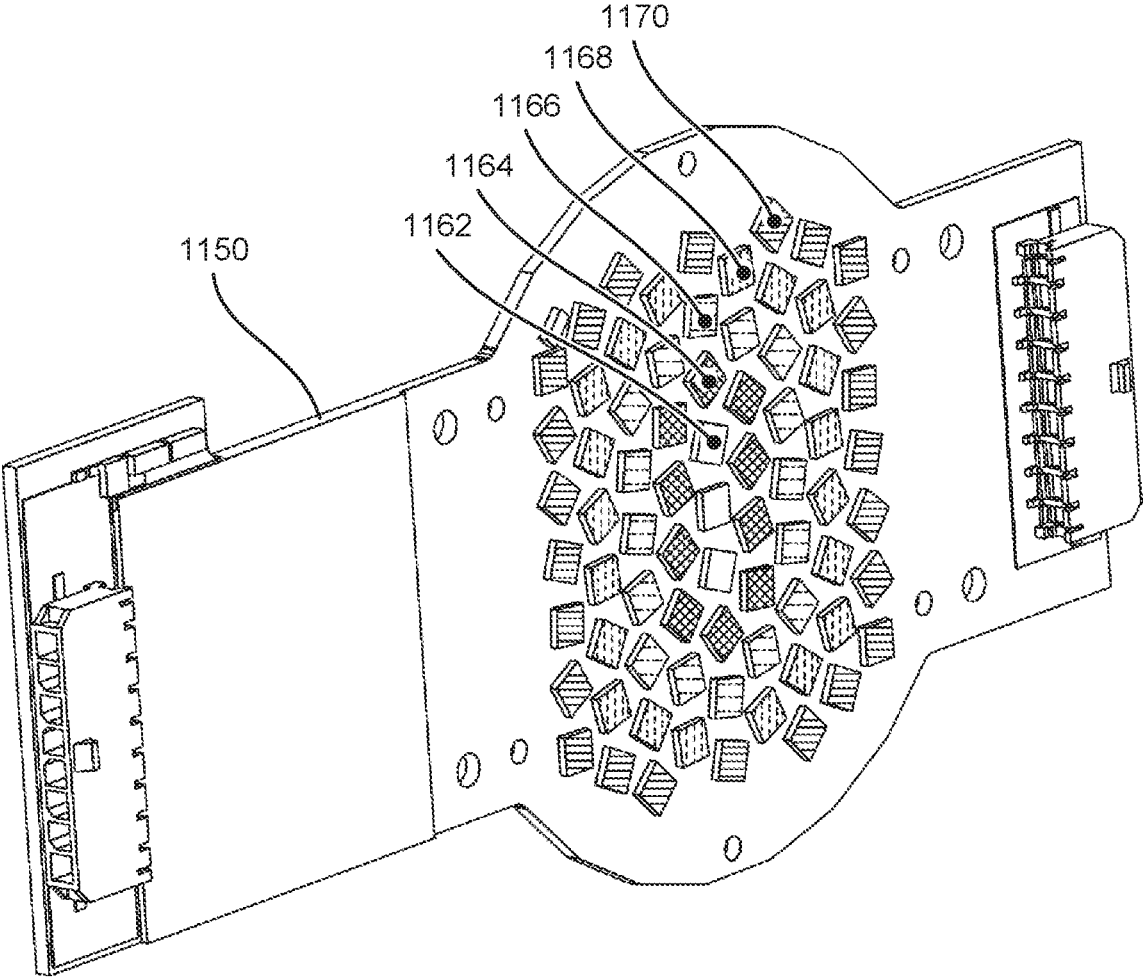


FIG. 15

1

REMOVABLE LED MODULE WITH ZONAL INTENSITY CONTROL

CROSS-REFERENCE TO RELATED APPLICATIONS

This application claims priority to U.S. Provisional Application No. 62/896,739 filed on Sep. 6, 2019 by Pavel Jurik, et al. entitled, "LED Light Engine", which is incorporated by reference herein as if reproduced in its entirety.

TECHNICAL FIELD OF THE DISCLOSURE

The disclosure generally relates to automated luminaires, and more specifically to a removable light-emitting diode (LED) module for use in an automated luminaire.

BACKGROUND

Luminaires with automated and remotely controllable functionality (also referred to as automated luminaires) are well known in the entertainment and architectural lighting markets. Such products are commonly used in theatres, television studios, concerts, theme parks, night clubs, and other venues. A typical product will commonly provide control over the pan and tilt functions of the luminaire allowing the operator to control the direction the luminaire is pointing and thus the position of the light beam on the stage or in the studio. Typically, this position control is done via control of the luminaire's orientation in two orthogonal rotational axes usually referred to as pan and tilt. Many products provide control over other parameters such as the intensity, focus, beam size, beam shape, and beam pattern. In particular, control is often provided for the color of the output beam which may be provided by controlling the insertion of dichroic colored filters across the light beam.

SUMMARY

In a first embodiment, an LED module includes an LED circuit board having an array of LEDs and an electrical connector configured to power the array of LEDs. The LEDs are configured in two or more concentric zones, each zone including a plurality of LEDs. The LEDs of a first zone are configured for intensity control independent of the LEDs of a second zone. The LED module can be removed from an optical system of a luminaire by electrically uncoupling the LED circuit board and mechanically uncoupling the LED module from the luminaire without removing other elements of the optical system from the luminaire.

In a second embodiment, a luminaire includes a controller and an optical system that has adjustable optical elements and an LED module that has an LED circuit board electrically coupled to the controller. The LED circuit board includes an array of LEDs that are configured in two or more concentric zones, each zone including a plurality of LEDs. The LEDs of a first zone are configured for intensity control independent of the LEDs of a second zone. The controller is configured to control an intensity of at least the LEDs of the first zone based upon a configuration of the adjustable optical elements. The LED module can be removed from the luminaire without removing other elements of the optical system by electrically uncoupling the LED circuit board from the controller and mechanically uncoupling the LED module from the luminaire.

BRIEF DESCRIPTION OF THE DRAWINGS

For a more complete understanding of this disclosure, reference is now made to the following brief description,

2

taken in conjunction with the accompanying drawings in which like reference numerals indicate like features.

FIG. 1 presents a schematic view of a multiparameter automated luminaire system according to the disclosure;

5 FIG. 2 presents a block diagram of a control system for a luminaire according to the disclosure;

FIG. 3 presents an exploded orthogonal view of an LED optical system according to the disclosure;

10 FIG. 4 presents a schematic diagram of an optical system according to the disclosure;

FIG. 5 presents a flow chart of a light measurement process according to the disclosure;

FIG. 6A presents an orthogonal rear view of a luminaire without an LED circuit board installed;

15 FIG. 6B presents an orthogonal rear view of a luminaire with an LED circuit board installed;

FIG. 7 presents an orthogonal side view of the luminaire of FIGS. 6A and 6B, and an LED module according to the disclosure;

20 FIG. 8 presents an orthogonal view of the LED module of FIG. 7;

FIG. 9 presents an orthogonal view of the LED circuit board of FIGS. 6A, 6B, and 7;

25 FIGS. 10 and 11 present a ray trace view of a zoom optical system according to the disclosure in respective first and second configurations;

30 FIGS. 12 and 13 present a ray trace view of a second zoom optical system according to the disclosure in respective first and second configurations;

FIG. 14 presents a plan view of a second LED circuit board according to the disclosure; and

35 FIG. 15 presents an oblique view of a third LED circuit board according to the disclosure.

DETAILED DESCRIPTION

Preferred embodiments are illustrated in the figures, like numerals being used to refer to like and corresponding parts of the various drawings.

FIG. 1 presents a schematic view of a multiparameter automated luminaire system 10 according to the disclosure. The multiparameter automated luminaire system 10 includes a plurality of luminaires 12 according to the disclosure. The luminaires 12 each contains on-board a light source, color changing devices, light modulation devices, pan and/or tilt systems to control an orientation of a head of the luminaire 12. Mechanical drive systems to control parameters of the luminaire 12 include motors or other suitable actuators coupled to control electronics, as described in more detail with reference to FIG. 2.

In addition to being connected to an external power source either directly or through a power distribution system, each luminaire 12 is connected in series or in parallel by a data link 14 to one or more control desks 15. Upon actuation by an operator, the control desk 15 may send control signals via the data link 14, where the control signals are received by one or more of the luminaires 12. The one or more of the luminaires 12 that receive the control signals may respond by changing one or more of the parameters of the receiving luminaires 12. The control signals may be sent by the control desk 15 to the luminaires 12 using DMX-512, Art-Net, ACN (Architecture for Control Networks), Streaming ACN, or other suitable communication protocol.

65 The luminaires 12 may include stepper motors to provide the movement for internal optical systems. Examples of

such optical systems may include gobo wheels, effects wheels, and color mixing systems, as well as prism, iris, shutter, and lens movement.

While the multiparameter automated luminaire system **10** comprises moving yoke luminaires **12**, the disclosure is not so limited. In other embodiments automated luminaires according to the disclosure may be moving mirror automated luminaires or static automated luminaires.

In some embodiments, luminaires **12** include an LED-based light source and associated optical system. Such an LED light source may contain LEDs that emit light of a common color, such as white, or may contain LEDs that emit light of different colors. Such subsets of LEDs of different colors may be controllable individually so as to provide additive color mixing of the LED outputs.

Some automated luminaires include an LED light source that is physically integrated with the associated optical systems in a manner that makes it difficult for a technician to maintain and replace the LEDs independently from the rest of the optical system. In such automated luminaires it can be difficult to compare the degradation in light output of the LED light source in two or more automated luminaires. Luminaires **12** according to the disclosure provide easier removal of LED modules and associated LED circuit boards, as well as a system for measurement and non-volatile storage of the light output produced by LED emitters of the LED module. LED emitters may also be referred to simply as LEDs.

FIG. **2** presents a block diagram of a control system **200** for a luminaire **12** according to the disclosure. The control system (or controller) **200** is suitable for use with an LED module according to the disclosure. The control system **200** is also suitable for controlling other control functions of the automated luminaire system **10**. In some embodiments, the control system **200** is powered by an external power source (not shown in FIG. **2**).

The control system **200** includes a processor **202** that is electrically coupled to a memory **204**. The processor **202** is implemented by hardware and software. The processor **202** may be implemented as one or more Central Processing Unit (CPU) chips, cores (e.g., as a multi-core processor), field-programmable gate arrays (FPGAs), application specific integrated circuits (ASICs), and digital signal processors (DSPs).

The processor **202** is further electrically coupled to and in communication with a communication interface **206**. The communication interface **206** is coupled to, and configured to communicate via, at least the data link **14**. The processor **202** is also coupled via a control interface **208** to one or more sensors, motors, actuators, controls and/or other devices. In some embodiments these devices include a light level sensor. The processor **202** is configured to receive control signals from the data link **14** via the communication interface **206** and, in response, to control mechanisms of the luminaire **12** via the control interface **208**.

In some embodiments, the processor is also coupled to a Near Field Communication (NFC) module **210**. Use of the NFC module **210** is further described below with reference to FIG. **5**.

The processor **202** is further electrically coupled to and in communication with an LED circuit board **230**. The LED circuit board **230** may contain a processor and memory as described with reference to the control system **200**. The LED circuit board **230**, in some embodiments, further includes an NFC module **232**. In various embodiments, the processor **202** may directly control functionality of the LED circuit board **230** (such as individual or group LED brightness),

may request from a processor of the LED circuit board **230** information stored in the memory of the processor (such as light measurement data), and may request that the processor in the LED circuit board **230** store information provided by the processor **202** (such as light measurement data resulting from performance of the light measurement process **500** described with reference to FIG. **5**).

The control system **200** is suitable for implementing processes, module control, optical device control, pan and tilt movement, parameter control, LED brightness control, and other functionality as disclosed herein, which may be implemented as instructions stored in the memory **204** and executed by the processor **202**. The memory **204** comprises one or more disks and/or solid-state drives and may be used to store instructions and data that are read and written during program execution. The memory **204** may be volatile and/or non-volatile and may be read-only memory (ROM), random access memory (RAM), ternary content-addressable memory (TCAM), and/or static random-access memory (SRAM). Similarly, the LED circuit board **230** may contain a processor and memory which includes at least writable non-volatile memory, such as flash memory, which retains its contents when power is removed.

FIG. **3** presents an exploded orthogonal view of an LED optical system (or light engine) **300** according to the disclosure. An LED circuit board **301** includes a plurality of LEDs (or LED dies) **304** arranged in an array and mounted on a planar substrate **302**. The LED circuit board **301** further includes an electrical connector **306** through which the LEDs **304** can be powered. The LED circuit board **301** still further includes electronic circuitry (not shown in FIG. **3**) coupled to the electrical connector **306** for power and communication.

The LEDs **304** all emit white light. In other embodiments, the LEDs **304** emit light in a plurality of colors. In either embodiment, the LEDs **304** may be configured to be controlled as a single group, in multiple groups, or individually, depending on the requirements of the luminaire. Each LED **304** is associated with a primary optic, which may comprise a reflector, total internal reflection (TIR) lens, and/or other suitable optical devices for protecting the LED and controlling distribution of its emitted light. Each LED **304** is further associated with a corresponding pair of collimating lenslets on lens arrays (collimating optics) **308** and **312**. In some embodiments, the pair of collimating lenslets associated with each LED may be part of the LED's primary optic, that is, they may be fabricated as part of the LED die, may be separately fabricated and attached to the LED die, or may be in the form of a lens array mounted to one or more of the LED dies or (directly or indirectly) to the planar substrate **302**. In other embodiments, such primary optics are part of an LED module according to the disclosure, such as LED module **700**, described with reference to FIGS. **7** and **8**.

In some embodiments, the LEDs **304** are simple LEDs. In other embodiments, the LEDs **304** comprise an LED emitter coupled with a phosphor. In still other embodiments, the LEDs **304** comprise LED laser diodes with or without an associated phosphor.

In the embodiment shown in FIG. **3**, all LEDs **304** emit white light, however other embodiments may include differently colored LEDs **304**.

Although the lens arrays **308** and **312** are constructed on two separate substrates, in other embodiments, the lens arrays **308** and **312** may be fabricated on opposite sides of a single (common) substrate. In some embodiments, the lens arrays **308** and **312** and their substrate(s) are simple lens arrays molded from a material comprising glass or a trans-

parent polymer. In other embodiments, the lens arrays **308** and **312** may be fabricated from multiple individual collimating lenslets. In yet other embodiments, the lens arrays **308** and **312** may be replaced with an array of TIR collimators, a fresnel lens, or a single lens array that is fabricated from glass or other optical material having a higher refractive index than lens arrays **308** and **312** or that comprises collimating lenslets having an aspherical profile.

In some embodiments, the lens arrays **308** and **312** may be supplemented by an optical diffuser **311**. In some such embodiments, the optical diffuser **311** may be added to lens arrays **308** and **312** as shown in FIG. 3. The optical diffuser **311** may comprise a single diffuser element or multiple diffuser elements.

In either embodiment, the optical diffuser **311** is configured to further mix the light output from LEDs **304** without adding any optical aberrations. The optical diffuser **311** may comprise a transparent or translucent substrate with irregular patterning, body features, or surface features designed to introduce Lambertian, or approximate Lambertian, scattering to the light passing through the optical diffuser **311**. Such a diffuser can be created by using a ground substrate, a diffusing substrate, or a holographic etched substrate, as well as by other techniques.

The collimated and substantially parallel light beams emitted by the collimating lens array **312** pass through dichroic filters **313** and **314**, which comprise a color mixing module **315**. After passing through dichroic filters **313** and **314**, the combined light beam produced by all the light beams emitted by the collimating lens array **312**, passes through fly-eye lens arrays **316** and **320**. The fly-eye lens arrays **316** and **320** may be referred to as homogenizing or integration lens arrays. Each of the fly-eye lens arrays **316** and **320** comprises a plurality of converging lenslets. Fly-eye lens array **316**, fly-eye lens array **320**, and a converging lens **324** are mounted to mounting plates **318** and **322** to form a unitary integration module **340**.

In other embodiments, the fly-eye lens arrays **316** and **320** may be replaced by one or more optical diffusers without lenses. In such embodiments, the one or more optical diffusers and the converging lens **324** may be mounted to mounting plates **318** and **322** to form a unitary integration module **340**.

In a further embodiment, the fly-eye lens arrays **316** and **320** may be removable from the path of the light beams either manually or through a motor and mechanism that may be controlled by the user via the data link **14** and the controller **200**. For example, the fly-eye lens arrays **316** and **320** may be mounted on a pivoting arm that is coupled to a motor and mechanism so that the fly-eye lens arrays **316** and **320** can be controllably swung out of or into the path of the light beam from the LEDs **304**. When the fly-eye lens arrays **316** and **320** are removed from the path of the light beams, the combined light output from the LEDs will no longer be fully homogenized, but may be higher in intensity and may also be useful as a lighting effect.

FIG. 4 presents a schematic diagram of a light engine **450** according to the disclosure. The light engine **450** includes an LED circuit board **400**. The LED circuit board **400** includes a plurality of LEDs **404** mounted on a substrate **402**. The LED circuit board **400** also includes an electrical connector **408**, configured to power the LEDs **404** and to transmit and receive data. Also mounted on substrate **402** is electronic circuitry **406**, which includes a non-volatile memory, and logic components. In various embodiments, the electronic circuitry **406** is powered by the electrical connector **408**, by other connection to the luminaire **12**, or by direct connection

to an external power source when not installed in a luminaire. The control system **200**, described with reference to FIG. 2, is suitable for use as the electronic circuitry **406** in some embodiments. In some embodiments, the LED circuit board **400** includes an NFC module **432** that is electrically coupled to the electronic circuitry **406**. NFC is a standard protocol for short-range, low-power wireless communication and may be supported in devices such as cellular phones.

The light engine **450** further includes optical devices **414**, configured to receive a light beam **412a** emitted by LEDs **404**, and to emit a modified light beam **412b**. In some embodiments, the optical devices **414** include a collimation and homogenization system, as well as optical systems such as gobos, prisms, irises, color mixing systems, framing shutters, variable focus lens systems, and other optical devices suitable for use in theatrical luminaires. In embodiments where the optical system is a projection optical system, the modified light beam **412b** passes through a projection lens system **416** before exiting the luminaire.

In some embodiments, the controller **200** may position a light sensor **418** within the modified light beam **412b** (at position **418a**) or outside the modified light beam **412b** (at position **418b**) to allow the light output from LEDs **404** to be measured (when in position **418a**). In other embodiments, the light sensor **418** may be positioned in the light beam **412a**, rather than in the light beam **412b**.

In some embodiments, the light sensor **418** receives light emitted by all the LEDs **404**. In other embodiments, the light sensor **418** receives light emitted by a subset of the LEDs **404** (as discussed in more detail with reference to FIG. 5). In still other embodiments, the light sensor **418** receives light emitted by a plurality of the LEDs **404** within a concentric zone (as discussed in more detail with reference to FIG. 14). In some embodiments, the light sensor **418** is configured to measure only a light level. In other embodiments, the light sensor **418** is configured to measure light level and spectral color information.

In some embodiments, the light sensor **418** is mounted on a mechanism such as an arm or a wheel that is configured to move the light sensor **418** into and out of the light beam **412b**. In other embodiments, the light sensor **418** is mounted to one of the optical devices **414**, such as a prism, and configured so that when the one of the optical devices **414** is inserted into the light beam **412a**, the light sensor **418** is also moved into the light beam **412a**.

In some embodiments, the light sensor **418** is electrically and communicatively connected to the control system **200** of the luminaire **12**. In other embodiments, the light sensor **418** is electrically and communicatively connected to the electronic circuitry **406** of the LED circuit board **400**.

FIG. 5 presents a flow chart of a light measurement process **500** according to the disclosure. The light measurement process **500** is performed while the LED circuit board **400** is installed and in use in the luminaire **12**. The light measurement process **500** may be performed by either the control system **200** of the luminaire **12** or by the electronic circuitry **406** of the LED circuit board **400** via the control system **200**. In step **502**, the processor **202** receives a command directly or indirectly via the data link **14**, where the command instructs the luminaire **12** to perform a light level reading. In step **504**, the processor **202** reacts to the command by moving the light sensor **418** into the position **418a** in the modified light beam **412b** via control interface **208**, as described with reference to FIGS. 2 and 4. Once the light sensor **418** is in the position **418a**, in step **506**, the processor **202** takes a light level measurement. In step **508**,

once the processor 202 has received a signal from light sensor 418 relating to an intensity of the modified light beam 412b, the processor 202 moves the light sensor 418 to position 418b, out of the modified light beam 412b. Finally, in step 510 the processor 202 stores a light level reading in the non-volatile memory of the electronic circuitry 406 of the LED circuit board 400, the light level reading including the data corresponding to the light level measurement received from the light sensor 418. With such a light level reading stored on the LED circuit board 400, when a user moves an LED circuit board 400 from one luminaire to another, or replaces one LED circuit board 400 with another LED circuit board 400, the most recent light level reading of each LED circuit board 400 remains with the LED circuit board 400.

In embodiments that include LED packages with multiple colors of LED dies, step 506 may include taking multiple measurements. In such embodiments, the processor 202 powers LEDs of each color in turn, taking a light level measurement of each color subset of the LED dies. In step 510 of such embodiments, the processor 202 stores the light level reading and a subset (color) identifier for the measured subset in the non-volatile memory of the electronic circuitry 406 of the LED circuit board 400. LEDs of different colors may lose output at differing rates and such embodiments allow the user to track those differing changes between colors.

Similarly, in embodiments that include two or more pluralities of LEDs within concentric zones (as discussed in more detail with reference to FIG. 14), step 506 may include taking multiple measurements. In such embodiments, the processor 202 powers LEDs of each zone in turn, taking a light level measurement of each zone. In step 510 of such embodiments, the processor 202 stores the light level reading and an identifier for the measured zone in the non-volatile memory of the electronic circuitry 406 of the LED circuit board 400. Usage patterns of LEDs in different zones may differ, causing the LEDs of one zone to lose output at a different rate than the LEDs of another zone and such embodiments allow the user to track those differing changes between zones.

In some embodiments, the electronic circuitry 406 of the LED circuit board 400 is configured to store a plurality of light level readings over time, creating a light level history of the LEDs 404 (or subsets of differently colored LEDs). In some such embodiments, the order in which the light level readings are stored is reflected in a memory address at which each light level reading is stored—for example, later readings may be stored at higher memory addresses than earlier readings. In other such embodiments, the electronic circuitry 406 assigns an increasing sequence number to each light level reading as it is stored. In still other such embodiments, the controller 200 includes a clock (or communicates with an external clock) and determines a time at which the data corresponding to the light level measurement was obtained. In such embodiments, the light level reading stored in the non-volatile memory of the electronic circuitry 406 also includes data relating to the determined time (e.g., a time-stamp). In some such embodiments, the determined time includes both a calendar date and a time of day.

Storing current light level readings on the LED circuit board 400 has a number of benefits for the user. As the LEDs 404 age, their light output reduces. When current light level readings are stored on LED circuit boards 400, the user can adjust light levels emitted by the LED circuit boards 400 or their associated luminaires 12 so that luminaires 12 used together more closely match each other in brightness.

Furthermore, when a light level history is stored on the LED circuit board 400, the user can predict future light levels (for example, using a time series regression) so that when a system of luminaires 12 is used on a long-running show (such as a Broadway production or in a theme park), the user can predict when individual LED circuit boards 400 will need to be replaced.

The stored light level reading data may be read out from the non-volatile memory through the processor 202 and data link 14, or via the NFC module 432. In embodiments storing the light level history, the electronic circuitry 406 of the LED circuit board 400 may be configured to selectively read out either the most recent stored light level reading or the entire light level history.

In further embodiments the non-volatile memory of the electronic circuitry 406 on the LED circuit board 400 may also be used to store data relating to the LED circuit board 400, including, but not limited to, serial number (in any format) of the LED circuit board 400; usage history; power level history; command history; serial numbers of luminaires 12 into which the LED circuit board 400 has been installed; date (which may include both a calendar date and a time of day) on which the LED circuit board 400 was installed, working hours, and last light level reading in the present luminaire 12 and/or into previous luminaires 12 (identified by luminaire serial number); expected reduction in light output from LEDs based on working hours, intensity levels the LEDs were working, and latest (or historical) light level reading(s); and other data about the LED circuit board 400 that could be useful to the user.

As shown in FIG. 2, in yet further embodiments, the data on the LED circuit board 400 may be accessed by an external NFC transceiver 214 such as a cellular phone or smartphone via the NFC module 432 using a radio frequency link 222. This would allow the user or (in the case of a rented product) the product owner, to quickly extract historical usage and/or operational data from an LED circuit board 400 without having to make a direct electrical connection. The NFC transceiver 214 may be configured to read data from the non-volatile memory of the electronic circuitry 406 while the LED circuit board 400 is removed for maintenance or while a luminaire in which it is installed is not coupled to an external power source.

In other embodiments, some or all of the stored data relating to the LED circuit board 400 may be obtained from the electronic circuitry 406 by the processor 202 and stored in the memory 204. Not only stored data relating to the LED circuit board 400 currently installed in the luminaire 12 may be stored in the memory 204, but also data relating to LED circuit boards 400 previously installed in the luminaire 12. Such data may include, for each such previous LED circuit board 400, a serial number, and a date and/or time that the LED circuit board 400 was installed in the luminaire 12.

Such data stored in the memory 204 may be transmitted to one or more control desks 15 via the communication interface 206 and the data link 14 or displayed on a display accessible to a user on an exterior surface of the luminaire 12. Such data may additionally or alternatively be obtained by the external NFC transceiver 214 via the NFC module 210 using a radio frequency link 220. Use of the NFC module 210 may be beneficial when wireless communications with the NFC module 432 is blocked once the LED circuit board 400 is installed in the luminaire 12. The NFC module 210 may be configured to access memory 204 while the luminaire 12 is not coupled to an external power source. A location for the NFC module 210 within the luminaire 12

may be selected to enable wireless communication while the luminaire 12 is installed for operation or while it is stowed for transportation.

FIGS. 6A and 6B present an orthogonal rear view of a luminaire 600 without and with an LED circuit board 650 installed, respectively. The chassis of the luminaire 600 includes an LED module mounting plate 604 that surrounds an aperture 602. The chassis also includes cooling fans 608. The lenses and other optical systems of the luminaire optical system are mounted within the chassis of the luminaire 600 and remain in the luminaire 600 when the user replaces the LED circuit board 650. While the luminaire 600 is shown with all outer covers removed for clarity, in some embodiments only a back cover needs to be removed for the user to remove and replace the LED circuit board 650 (or the LED module 700, described below with reference to FIG. 7).

The LED module mounting plate 604 includes mounting features to accurately align the LEDs of the LED circuit board 650 with the body of the luminaire and internal optics. Alignment pins 606 protrude from the LED module mounting plate 604 and mate with registration holes 607 in the LED circuit board 650 to align it with the LED module mounting plate 604. The LED module mounting plate 604 has threaded holes 610 that accept screws from the LED circuit board 650 to affix the LED circuit board 650 to the LED module mounting plate 604. In FIG. 6B, an LED circuit board 650 is shown in place with the alignment pins 606 in the registration holes 607 in the LED circuit board 650, thereby accurately positioning the LEDs of the LED circuit board 650 with the optical systems in the luminaire 600.

FIG. 7 presents an orthogonal side view of the luminaire 600 of FIGS. 6A and 6B, and an LED module 700 according to the disclosure. The LED module 700 is shown in the process of being attached to the rear of the luminaire 600. The LED module 700 comprises the LED circuit board 650 mounted to a heat sink 620. The heat sink 620 includes heat pipes 622 configured to transfer heat from a portion of the heat sink 620 adjacent to the LED circuit board 650 to another portion of the heat sink 620. The heat sink 620 is configured to receive cooler air from one set of the cooling fans 608 and to have heated air removed by the other set of the cooling fans 608.

While the cooling fans 608 are attached to the chassis of the luminaire 600, in other embodiments, the LED module 700 includes cooling fans that are installed and removed from the luminaire 600 along with the LED circuit board 650 and the heat sink 620.

The LED circuit board 650 includes electrical connector 652 configured to provide electrical coupling to the electrical power and control systems of the luminaire 12 as previously described. In some embodiments, the LED circuit board 650 also includes electronic circuitry 406, as described with reference to FIG. 4. The LED module 700 is configured to mechanically couple to the chassis of the luminaire 600 by screws 612, which connect to the threaded holes 610 shown in FIGS. 6A and 6B. In some embodiments, the screws 612 are captive screws. In other embodiments, the LED module 700 mechanically couples to the chassis of the luminaire 600 by another suitable fastener that can be engaged and disengaged, for example, a quarter-turn fastener.

FIG. 8 presents an orthogonal view of the LED module 700 of FIG. 7. The LED circuit board 650 includes LEDs 654 and is in thermal contact with the heat sink 620. The LEDs 654 all emit white light. In other embodiments, the LEDs 654 are LED packages with multiple colors of LED

dies inside. In some such embodiments, the LEDs 654 may include red, green, blue, and white dies. In other such embodiments, other or additional colors may be included, such as lime, amber, indigo, and other colors.

Accurate alignment of the LED module 700 is provided by alignment pins 606 (shown in FIG. 6A) which protrude from the LED module mounting plate 604 (or other portion of the chassis of the luminaire 600) and mate with matching registration holes 607 (one of which is indicated in FIG. 8) in LED circuit board 650. In some embodiments, the LED circuit board 650 includes NFC circuitry and an NFC antenna 651. The NFC antenna 651 is positioned and configured to be accessed by an NFC transceiver outside the luminaire without having to dismantle the luminaire.

FIG. 9 presents an orthogonal view of the LED circuit board 650 of FIGS. 6A, 6B, and 7. LEDs 654 are mounted to the LED circuit board 650 in an array and are rotated with respect to each other along an axis perpendicular to the plane of the LED circuit board 650. This rotation of the LEDs 654 relative to each other improves homogenization of the light output from the LEDs 654.

A first plurality of LEDs includes LEDs 654a, 654b, 654c, and 654d, which are not rotated relative to each other. A second plurality of LEDs includes LEDs 654e, 654f, 654g, and 654h, which also are not rotated relative to each other. However, the LEDs of the first plurality of LEDs are rotated relative to the LEDs of the second plurality of LEDs. While only two pluralities of commonly-rotated LEDs are identified, it can be seen in FIG. 9 that additional pluralities of commonly-rotated LEDs are present on the LED circuit board 650.

LED dies are typically square, as is shown in FIG. 9, or otherwise rectangular. By rotating the LED dies of each plurality of LEDs relative to the other pluralities of LEDs by an amount that is not an integer multiple of 90° (90 degrees), the LED circuit board 650 produces a more rounded or circular beam, reducing the effect on the beam shape of the flat sides of the rectangular dies. By including pluralities of LEDs with a common rotation amount (rather than each LED of the LED circuit board 650 being individually rotated relative to all the other LEDs), the process of designing the LED circuit board 650 is simplified and its manufacturing process is made simpler and less costly.

In order to replace LED module 700, the user first removes a rear cover (or other access panel) from a housing of the luminaire to gain access to the LED module 700. In some embodiments, the access panel remains tethered to the luminaire once removed from the luminaire. Via the access aperture, the user electrically uncouples the LED circuit board 650 by disconnecting the electrical connector 652 from the electrical power and control systems of the luminaire 12, removes the screws 612 to mechanically uncouple the LED module 700 from the luminaire 12, and removes the LED module 700 through the access aperture. A new LED module 700 can then be installed in the luminaire 12 by reversing the steps of the removal process. In a further embodiment, the cost of replacing the LED circuit board 650 in the luminaire 12 is further reduced by replacing the LED circuit board 650 on the removed LED module 700 and re-installing the LED module 700, re-using the heat sink 620.

In some embodiments, the LED module 700 is mechanically coupled to the rear cover or access panel, and removing the cover or panel mechanically uncouples the LED module 700 from the luminaire 12.

Replacement of the LED module 700 requires only enough disassembly of the luminaire 12 to access and

physically remove the LED module 700. As the LED module 700 contains only the LED circuit board 650 and heat sink 620, the cost of replacement is significantly reduced over replacing an LED optical system that includes some or all of the other optical elements of the LED optical system 300 described with reference to FIG. 3. In some embodiments, all optical elements and LED lenses remain in the luminaire 12 and do not get replaced. In other embodiments, one or both of lens arrays 308 and 312 are part of the LED module 700.

The alignment pins 606 and matching registration holes 607 in LED circuit board 650 provide alignment structures that ensure accurate alignment of the LEDs with their associated optics. However, the disclosure is not so limited and in other embodiments other alignment methods may be used without departing from the spirit of the disclosure. For example, in other embodiments other numbers and shapes of alignment pins and matching registration holes could be used, as could tabs and slots, or other mechanical alignment structures comprising alignment protrusions and corresponding registration receptacles configured to ensure that no optical alignment of the LED module 700 is required, once installed. In all embodiments, the alignment protrusions may be part of the LED circuit board 650 and the registration receptacles part of the LED module mounting plate 604 or other portion of the chassis of the luminaire 600.

FIGS. 10 and 11 present a ray trace view of a zoom optical system 800 according to the disclosure in respective first and second configurations. The zoom optical system 800 comprises an LED light engine 850 and a three-group zoom lens system that includes lens groups 804, 806, and 808. The LED light engine 850 may be the light engine 300 or 450 as described with reference to FIGS. 3 and 4, respectively, or may be another light engine according to the disclosure. Lens groups 804 and 806 are independently movable in a direction parallel to an optical axis 812 of the zoom optical system 800, enabling an operator to adjust focus and beam angle of a light beam emitted by the zoom optical system 800. The lens group 808 is an output lens group and is fixed in position relative to the LED light engine 850.

While the lens groups 804, 806, and 808 are referred to herein as ‘groups,’ it will be understood that any or all of the lens groups 804, 806, and 808 may include a single lens or a plurality of lenses. With reference to FIG. 4, in some embodiments the lens groups 804, 806, and 808 are elements of the projection lens system 416. In other embodiments, the lens groups 804 and 806 are elements of the optical devices 414 and the output lens group 808 is an element of the projection lens system 416.

FIG. 10 shows the zoom optical system 800 in a first configuration, where lens groups 804 and 806 are positioned so as to produce a wide-angle output beam. A ray 810 indicates a light beam originating from a periphery of the LED light engine 850 and forming a periphery of the light beam emitted by the zoom optical system 800. The ray 810 may be seen to fall well within the diameter of the output lens group 808. An output ray 811 shows a ray emerging from the LED light engine 850 intermediate between the peripheral ray 810 and the optical axis 812.

FIG. 11 shows the zoom optical system 800 in a second configuration, where lens groups 804 and 806 are positioned so as to produce a narrow-angle output beam. The ray 814 emerging from the periphery of the LED light engine 850 can be seen to fall outside of the diameter of the output lens group 808. This is referred to as vignetting. When the zoom optical system 800 is mounted in a luminaire whose housing encloses the lens group 808, the housing may block the ray

810 and other rays that pass around the outside of the output lens group 808, resulting in a loss of brightness from the luminaire and an increased heat in the luminaire caused by the blocked light. The diameter of the output lens group 808 may be increased, in order to capture the ray 810. However, increasing the diameter of a lens can make it heavier and increase the overall size of the luminaire, which may limit the amount by which the lens diameter can be increased, limiting the amount of the periphery of the beam than can be captured.

FIGS. 12 and 13 present a ray trace view of a second zoom optical system 900 according to the disclosure in respective first and second configurations. The views in FIGS. 12 and 13 are similar to those in FIGS. 10 and 11, but provide a more complete representation of the optical system 900. The zoom optical system 900 comprises an LED light engine 950 and a three-group zoom lens system that includes lens groups 904, 906, and 908. The LED light engine 950 may be the light engine 300 or 450 as described with reference to FIGS. 3 and 4, respectively, or may be another light engine according to the disclosure. Lens groups 904 and 906 are independently movable in a direction parallel to an optical axis 912 of the zoom optical system 900, enabling an operator to adjust focus and beam angle of a light beam emitted by the zoom optical system 900. The lens group 908 is an output lens group and is fixed in position relative to the LED light engine 950.

FIG. 12 shows the zoom optical system 900 in a first configuration, where lens groups 904 and 906 are positioned so as to produce a wide-angle output beam. A ray 910 indicates a light beam originating from a periphery of the LED light engine 950 and forming a periphery of the light beam emitted by the zoom optical system 900. The ray 910 may be seen to fall well within the diameter of the output lens group 908. An output ray 911 shows a ray emerging from the LED light engine 950 intermediate between the peripheral ray 910 and the optical axis 912.

FIG. 13 shows the zoom optical system 900 in a second configuration, where lens groups 904 and 906 are positioned so as to produce a narrow-angle output beam. A ray 914 originating from a periphery of the LED light engine 950 can be seen to fall outside of the diameter of the output lens group 908. As described with reference to FIG. 11, this vignetting may result in a loss of brightness from the luminaire and an increased heat in the luminaire caused by the blocked light.

FIG. 14 presents a plan view of a second LED circuit board 1050 according to the disclosure. The LED circuit board 1050 provides an improved solution to the problem of vignetting described with reference to FIGS. 11 and 13 and is suitable for use in the LED light engines 850 and 950, described with reference to FIGS. 11 and 13. The individual LEDs in the LED circuit board 1050 are electrically connected such that they are controllable in concentric zones, generally indicated by dashed lines 1062, 1064, and 1066. An intensity of an LED 1054c and other LEDs of a plurality of LEDs that are within the central zone 1062 are controlled together. An intensity of an LED 1054b and other LEDs of a plurality of LEDs that are within the intermediate zone 1064 but outside the central zone 1062 are controlled together. An intensity of an LED 1054a and other LEDs of a plurality of LEDs that are within the outer zone 1066 but outside the intermediate zone 1064 are controlled together.

While the following comments describe features of the LED circuit board in the context of FIGS. 10 and 11, it will be understood that the comments also apply to the use of the LED circuit board 1050 in the zoom optical system 900 of

FIGS. 12 and 13. When the zoom optical system 800 is moved to the narrow angle beam configuration shown in FIG. 11, the control system 200 responds by reducing the power applied to LEDs in the outer zone 1066 and increasing power to the LEDs in the intermediate zone 1064 and center zone 1062. This reduces the light loss caused by vignetting as illustrated in FIG. 11 by providing more brightness from the LEDs that comprise the non-vignetted portions of the light beam. In other embodiments, the zoom optical system 800 may produce a still narrower angle beam configuration, and power applied to the LEDs in both the outer zone 1066 and the intermediate zone 1064 is reduced and power to the LEDs in the center zone 1062 may be increased.

In some embodiments, higher power LEDs (i.e., LEDs capable of handling higher drive current) are provided in the center zone 1062 (and in some such embodiments in the intermediate zone 1064, as well). In such embodiments, if a brighter beam from the luminaire 12 is desired by an operator when the optical system is zoomed to a narrow beam angle, power to the higher power LEDs in the center zone 1062 (and the intermediate zone 1064) may be increased to produce a significantly brighter beam. If the operator desires the beam brightness to remain constant as the optical system zooms from a wider beam to a narrower beam, power to the LEDs in the center zone 1062 and the intermediate zone 1064 may be controlled to produce the desired constant beam brightness.

In some embodiments, when the zoom optical system 800 is in the narrow angle beam configuration shown in FIG. 11, the control system 200 applies no power to the LEDs in the outer zone 1066. In some such embodiments, when the zoom optical system 800 is in an intermediate configuration between the wide angle of FIG. 10 and the narrow angle of FIG. 11, the control system 200 applies a reduced power to the LEDs in the outer zone 1066.

In some embodiments, the LED circuit board 1050 includes electronic circuitry 406, as described with reference to FIG. 4, and it is the electronic circuitry 406 that reduces power to, switches off, and/or increases power to LEDs in the zones 1062, 1064, and 1066. In such embodiments, the electronic circuitry 406 is configured to receive a control signal from the control system 200 or from another device external to the LED circuit board 1050, the signal relating to a beam angle configuration of the zoom optical system 800. In response to the received signal, the electronic circuitry 406 determines what changes (if any) to make to the power allocated to the zones 1062, 1064, and 1066, which zones to change power allocation to, and in what amounts to change that power. In such embodiments, power transistors for the LEDs may be located either in the LED module (e.g., LED module 700, described with reference to FIGS. 7 and 8) or in the luminaire 12.

In some embodiments, the overall total power provided to the LEDs is kept constant, but the ratio of power to each zone is changed, according to a desired zoom angle. As described in more detail with reference to FIG. 15, in some embodiments, more or fewer than three LED zones may be provided. Regarding the concentric zones 1062, 1064, and 1066, the LEDs that are considered within a zone (and therefore have their intensities jointly controlled) may be located either entirely or partially within the dashed lines. The overall total power can be decreased, without decreasing light output by dimming or switching off vignetted LED zones. This also reduces heat produced inside of the luminaire 12, reducing the heat load on electronics and plastic components within the luminaire 12.

While the LED circuit board 1050 has been described as used with the zoom optical system 800, in other embodiments the LED circuit board 1050 may be used with other adjustable optical elements. For example, in some embodiments the power provided to the zones may be based on an aperture size of a beam-size iris, an adjustment of framing shutters, a selected gobo, or other configuration of one or more adjustable optical elements.

In some embodiments, the power provided to each zone may be based on a control signal received at the controller 200 from a control desk 15 or other external source. In some such embodiments, the power provided to the zones may be based on a configuration of adjustable optical elements unless it is overridden by a control signal received at the controller 200 from an external source.

The adjustable zones of the LED circuit board 1050 provide other benefits. Better output brightness is provided when the zoom optical system 800 is producing a narrow beam without increasing total power, or the same output brightness is provided with lower total power. Better reliability of the luminaire 12 is obtained due to an increased lifetime of luminaire components, electronics, and LEDs resulting from the reduced heat load described above. Such a result is particularly beneficial in sealed luminaires. In some embodiments, LEDs capable of higher possible currents can be used for central zones to provide bigger difference between our and standard solution.

FIG. 15 presents an oblique view of a third LED circuit board 1150 according to the disclosure. The LED circuit board 1150 has five concentric zones 1162, 1164, 1166, 1168, and 1170. The LEDs within each zone are indicated by five different cross-hatch patterns. The central zone 1162 is surrounded by successively larger concentric zones 1164, 1166, and 1168, all of which are surrounded by the outer zone 1170. As for the LED circuit board 1050, the intensity of the LEDs in each zone of the LED circuit board 1150 are controlled together, and each zone may be controlled independent of the other zones.

While the LED circuit boards 301, 400, 650, and 850 have been described herein as used with different optical systems and luminaires, it will be understood that each may be used in combination with the other described optical systems and with other, undescribed optical systems.

While the disclosure has been described with respect to a limited number of embodiments, those skilled in the art, having benefit of this disclosure, will appreciate that other embodiments may be devised which do not depart from the scope of the disclosure herein. While the disclosure has been described in detail, it should be understood that various changes, substitutions and alterations can be made hereto without departing from the spirit and scope of the disclosure.

What is claimed is:

1. A light-emitting diode (LED) module, comprising:
 - an LED circuit board, comprising:
 - an array of LEDs, the LEDs configured in two or more concentric zones, each zone comprising a plurality of LEDs, the plurality of LEDs of a first zone of the two or more concentric zones configured for intensity control independent of the plurality of LEDs of a second zone of the two or more concentric zones; and
 - an electrical connector configured to power the array of LEDs, the LEDs of the first zone of the two or more concentric zones electrically connected and powered together and the LEDs of the second zone of the two or more concentric zones electrically connected and powered together,

15

the LED module configured to be removed from a luminaire comprising a housing enclosing an optical system that includes the LED module and other optical devices, the LED module configured to be removed from the luminaire by electrically uncoupling the LED circuit board from the luminaire and mechanically uncoupling the LED module from the luminaire without removing other optical devices of the optical system from the luminaire.

2. The LED module of claim 1, further comprising a heat sink mechanically and thermally coupled to the LED circuit board.

3. The LED module of claim 1, wherein the LED circuit board further comprises electronic circuitry configured to receive and store in non-volatile memory a light level reading including data relating to a measurement of light output produced by the array of LEDs.

4. The LED module of claim 3, wherein the LED circuit board further comprises a Near Field Communication (NFC) module, the LED circuit board configured to send the stored light level reading to an external NFC transceiver via the NFC module.

5. The LED module of claim 3, wherein the electronic circuitry is further configured to store a second light level reading in the non-volatile memory.

6. The LED module of claim 5, wherein the electronic circuitry is further configured to provide a selective read out of either the second light level reading or both the first and second light level readings.

7. The LED module of claim 1, wherein at least some LEDs of the array of LEDs are rotated with respect to other LEDs of the array of LEDs along an axis perpendicular to a plane of the LED circuit board.

8. The LED module of claim 1, wherein one of the LED circuit board and the luminaire further comprises registration receptacles configured to receive alignment protrusions of the other one of the LED circuit board and the luminaire, the alignment protrusions and the registration receptacles configured to optically align the LED circuit board with the optical system.

9. The LED module of claim 1, wherein the LED circuit board further comprises electronic circuitry coupled to the electrical connector and to the array of LEDs, the electronic circuitry configured to:

receive a control signal from a device external to the LED circuit board; and

control an intensity of at least the plurality of LEDs of the first zone based upon the control signal.

10. The LED module of claim 9, wherein the electronic circuitry is further configured to:

control an intensity of the plurality of LEDs of the second zone based upon the control signal; and

maintain a constant overall total power provided to the array of LEDs by increasing power provided to the plurality of LEDs of the first zone when decreasing power is provided to the plurality of LEDs of the second zone.

11. A luminaire comprising:

a controller; and

a housing enclosing an optical system comprising:

adjustable optical devices; and

a light-emitting diode (LED) module, the LED module comprising an LED circuit board electrically coupled to the controller,

wherein:

the LED circuit board comprises an array of LEDs, the LEDs configured in two or more concentric zones,

16

each zone comprising a plurality of LEDs, the plurality of LEDs of a first zone of the two or more concentric zones configured for intensity control independent of the plurality of LEDs of a second zone of the two or more concentric zones,

the controller is configured to move the adjustable optical devices to a first configuration and, in response, to control an intensity of at least the plurality of LEDs of the first zone based upon the first configuration of the adjustable optical devices, and

the LED module is configured to be removed from the luminaire without removing other optical devices of the optical system from the housing by electrically uncoupling the LED circuit board from the controller and mechanically uncoupling the LED module from the luminaire.

12. The luminaire of claim 11, wherein the LED module further comprises a heat sink mechanically and thermally coupled to the LED circuit board.

13. The luminaire of claim 11, wherein the adjustable optical devices comprise a zoom optical system.

14. The luminaire of claim 11, wherein the LED circuit board further comprises electronic circuitry configured to receive, from the controller, a light level reading including data relating to a measurement of light output produced by the array of LEDs and to store the light level reading in non-volatile memory.

15. The luminaire of claim 14, wherein the controller is configured to obtain a measurement relating to light output produced by the array of LEDs and to cause the electronic circuitry to store data relating to the measurement as the light level reading.

16. The luminaire of claim 15, wherein the array of LEDs includes a subset of LEDs emitting light of a common color and the controller is further configured to apply power to only the subset of LEDs and to store, as part of the light level reading, data identifying the subset of LEDs.

17. The luminaire of claim 15, wherein the controller is further configured to apply power to only the plurality of LEDs of a selected one of the first and second zones while obtaining the measurement relating to light output and to store, as part of the light level reading, data identifying the selected zone.

18. The luminaire of claim 15, wherein the controller is further configured to position a light sensor in a light beam produced by the array of LEDs to obtain the measurement.

19. The luminaire of claim 15, wherein the controller is further configured to cause the electronic circuitry to store, as part of the light level reading, data relating to a time the measurement was obtained.

20. The luminaire of claim 15, wherein the controller is further configured to obtain a second measurement relating to light output produced by the array of LEDs and to cause the electronic circuitry to store data relating to the second measurement as a second light level reading.

21. The luminaire of claim 20, wherein the controller is further configured to selectively read from the electronic circuitry either the second light level reading or both the first and second light level readings.

22. The luminaire of claim 11, wherein at least some LEDs of the array of LEDs are rotated with respect to other LEDs of the array of LEDs along an axis perpendicular to a plane of the LED circuit board.