



US010973110B1

(12) **United States Patent**  
**Fails et al.**

(10) **Patent No.:** **US 10,973,110 B1**  
(45) **Date of Patent:** **Apr. 6, 2021**

(54) **WIRELESS TOOL AND METHODS FOR CONTROLLING, TESTING, AND SETTING UP LIGHTING FIXTURES**

2131/103; F21W 2111/02; F21W 2131/101; F21W 2131/105; G08C 17/02; G08C 2201/40; G08C 2201/50; H04L 69/08; H04L 12/2803; H04L 2012/4026; H04Q 2209/25; H04Q 2209/43

(71) Applicant: **City Theatrical, Inc.**, Carlstadt, NJ (US)

See application file for complete search history.

(72) Inventors: **Gary Fails**, Tappan, NY (US); **Paul Kleissler**, Englewood, NJ (US); **Matteo Vigni**, Kearny, NJ (US)

(56) **References Cited**

U.S. PATENT DOCUMENTS

(73) Assignee: **CITY THEATRICAL, INC.**, Carlstadt, NJ (US)

10,320,605 B2 \* 6/2019 Schiff ..... H04L 41/0816  
10,497,337 B2 \* 12/2019 Rains, Jr. .... H05B 47/105  
(Continued)

(\* ) Notice: Subject to any disclaimer, the term of this patent is extended or adjusted under 35 U.S.C. 154(b) by 0 days.

OTHER PUBLICATIONS

(21) Appl. No.: **16/811,240**

Non-Final Office Action issued for corresponding U.S. Appl. No. 16/155,266, dated Mar. 22, 2019.

(22) Filed: **Mar. 6, 2020**

*Primary Examiner* — Vibol Tan

(74) *Attorney, Agent, or Firm* — Myers Wolin, LLC

**Related U.S. Application Data**

(63) Continuation-in-part of application No. 16/155,266, filed on Oct. 9, 2018, now abandoned, which is a (Continued)

(57) **ABSTRACT**

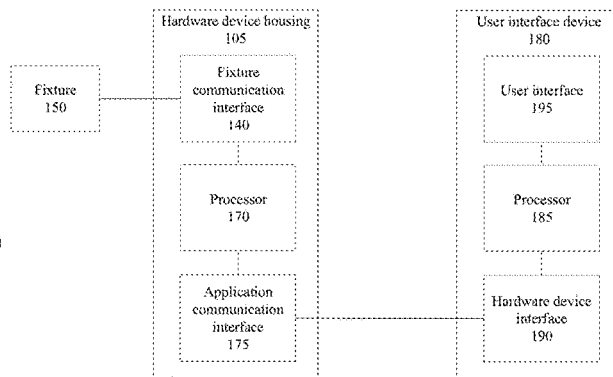
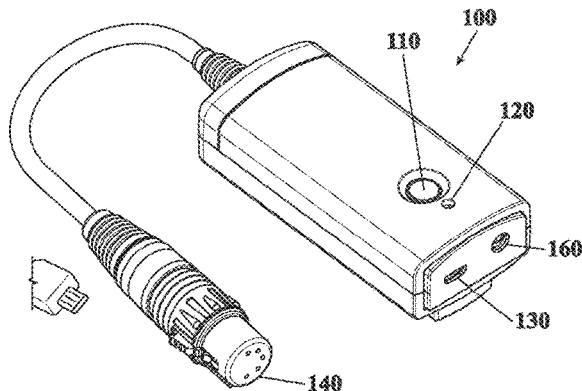
A device, system, and method are provided for controlling a fixture, such as a lighting fixture. The device includes a fixture communication interface for transmitting data to a fixture using a first communication protocol, such as DMX, and an application communication interface for wirelessly receiving information using a second communication protocol, such as Bluetooth. The device further comprises a processor for converting the information received at the application communication interface from the second communication protocol to the first communication protocol. The first communication protocol requires more data than can be transmitted using the Bluetooth protocol, and converting the information may include adding default data or restored data to data being transmitted to the fixture.

(51) **Int. Cl.**  
**H05B 37/02** (2006.01)  
**H05B 47/19** (2020.01)  
(Continued)

(52) **U.S. Cl.**  
CPC ..... **H05B 47/19** (2020.01); **H04L 12/282** (2013.01); **H04L 12/2816** (2013.01);  
(Continued)

(58) **Field of Classification Search**  
CPC ..... H05B 37/0272; H05B 37/0254; H05B 33/0845; H05B 33/0842; H05B 33/0863; H05B 33/08; H05B 37/0245; F21W

**18 Claims, 7 Drawing Sheets**



**Related U.S. Application Data**

continuation of application No. 15/788,160, filed on Oct. 19, 2017, now Pat. No. 10,129,964.

(60) Provisional application No. 62/410,100, filed on Oct. 19, 2016.

(51) **Int. Cl.**

**H04L 12/28** (2006.01)

**H05B 47/18** (2020.01)

**H05B 45/20** (2020.01)

**H04L 29/06** (2006.01)

**H04W 4/80** (2018.01)

(52) **U.S. Cl.**

CPC ..... **H04L 12/2836** (2013.01); **H05B 45/20** (2020.01); **H05B 47/18** (2020.01); **H04L 69/08** (2013.01); **H04W 4/80** (2018.02)

(56)

**References Cited**

U.S. PATENT DOCUMENTS

2011/0280251 A1 11/2011 Fails et al.  
2014/0266287 A1 9/2014 Reeder, III

\* cited by examiner

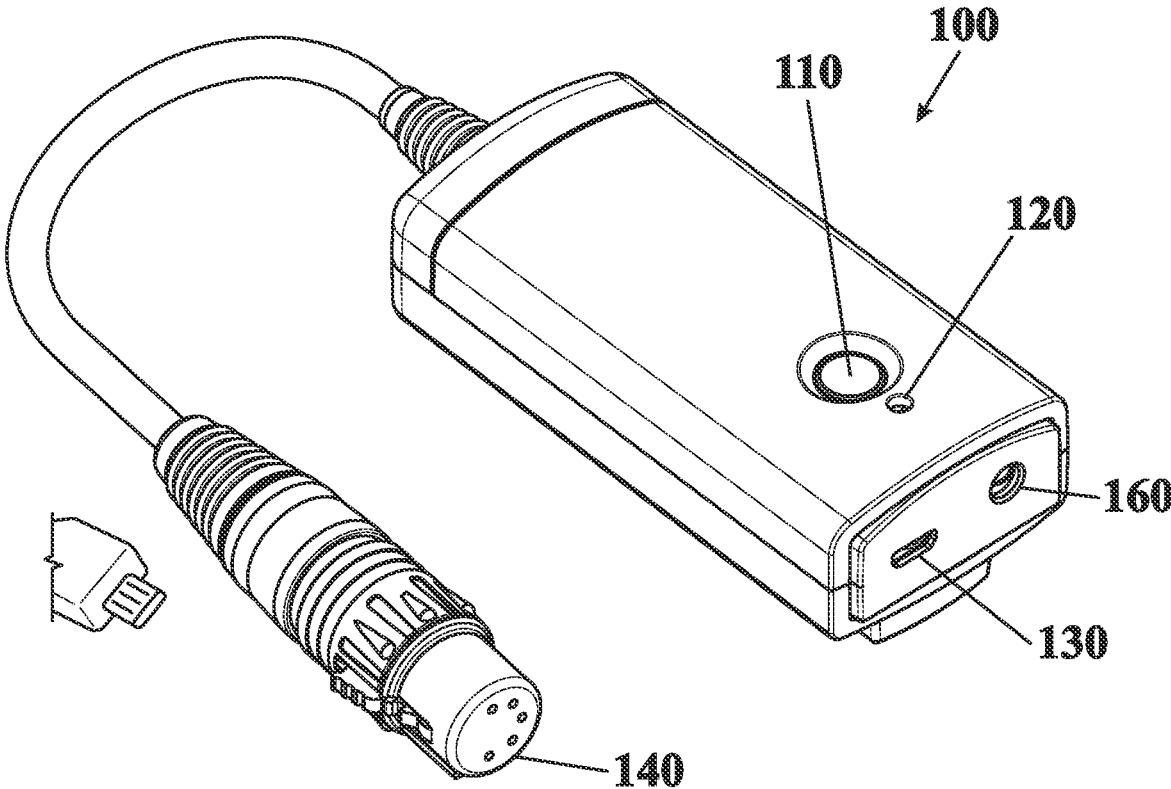


FIG. 1A

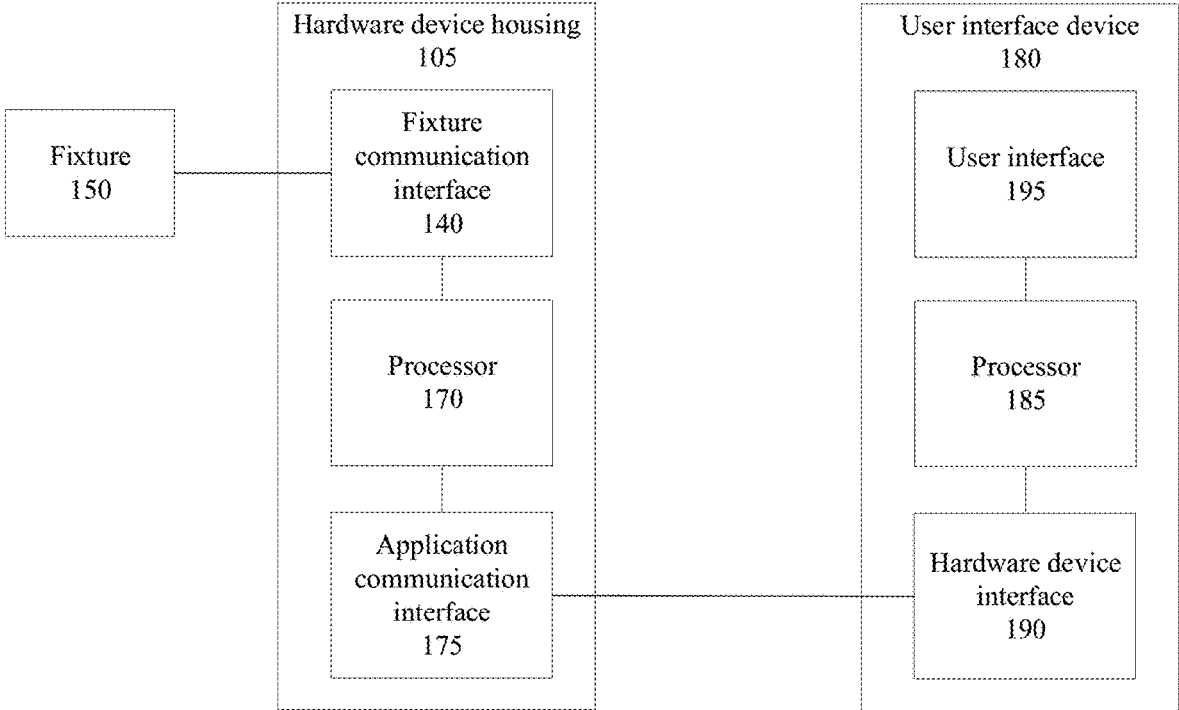


FIG. 1B

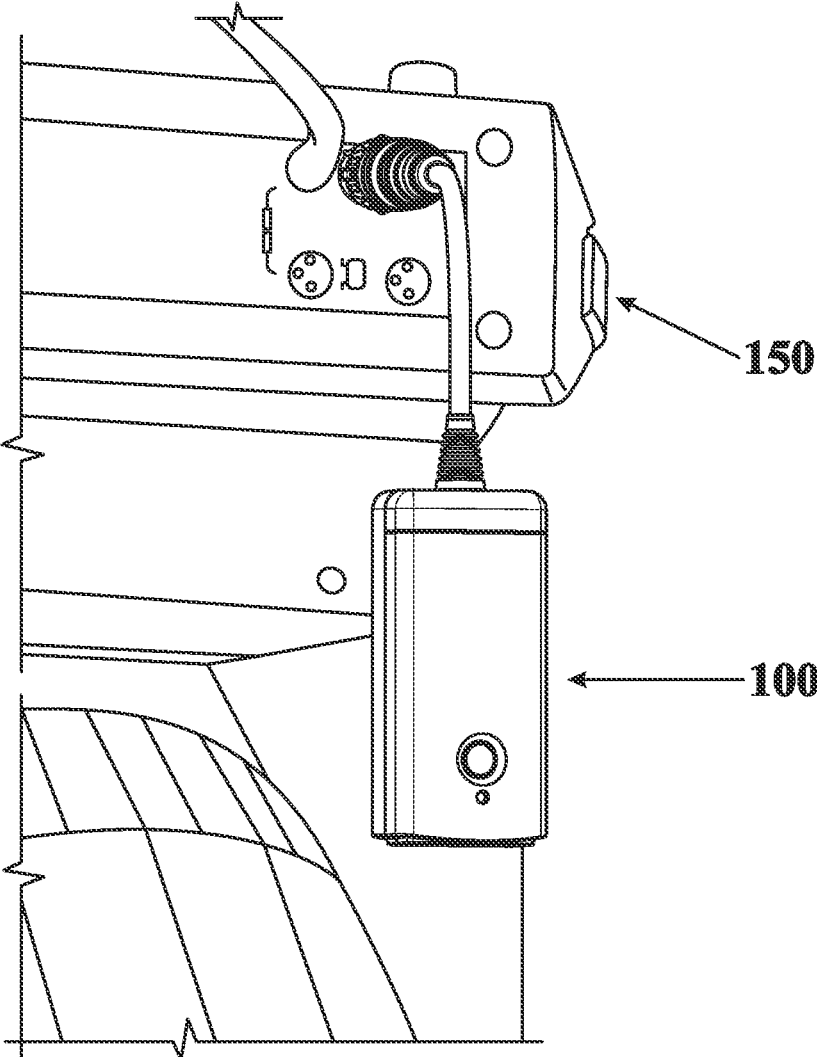


FIG. 2

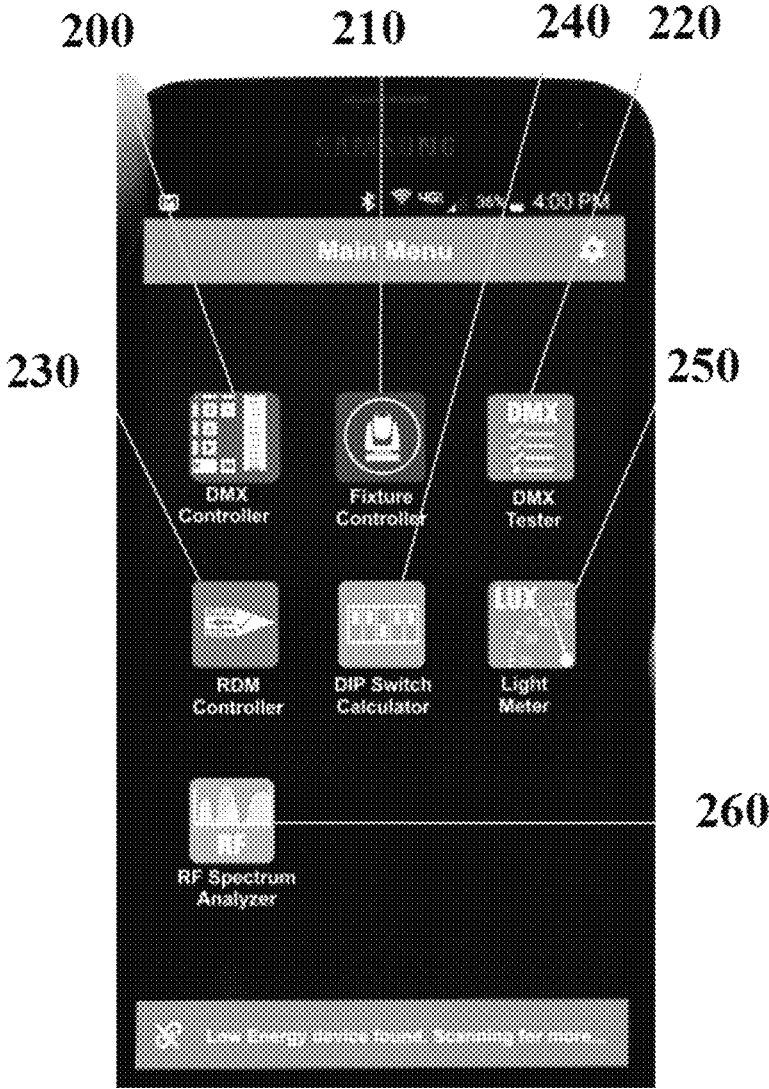


FIG. 3

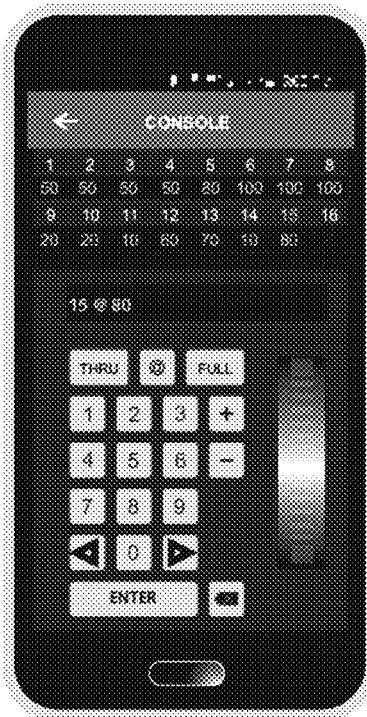


FIG. 4

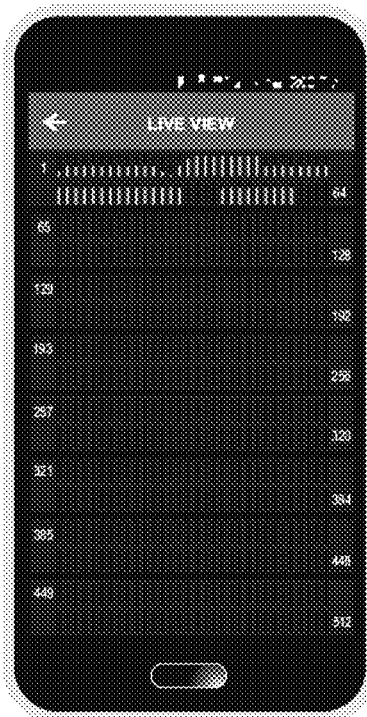


FIG. 5

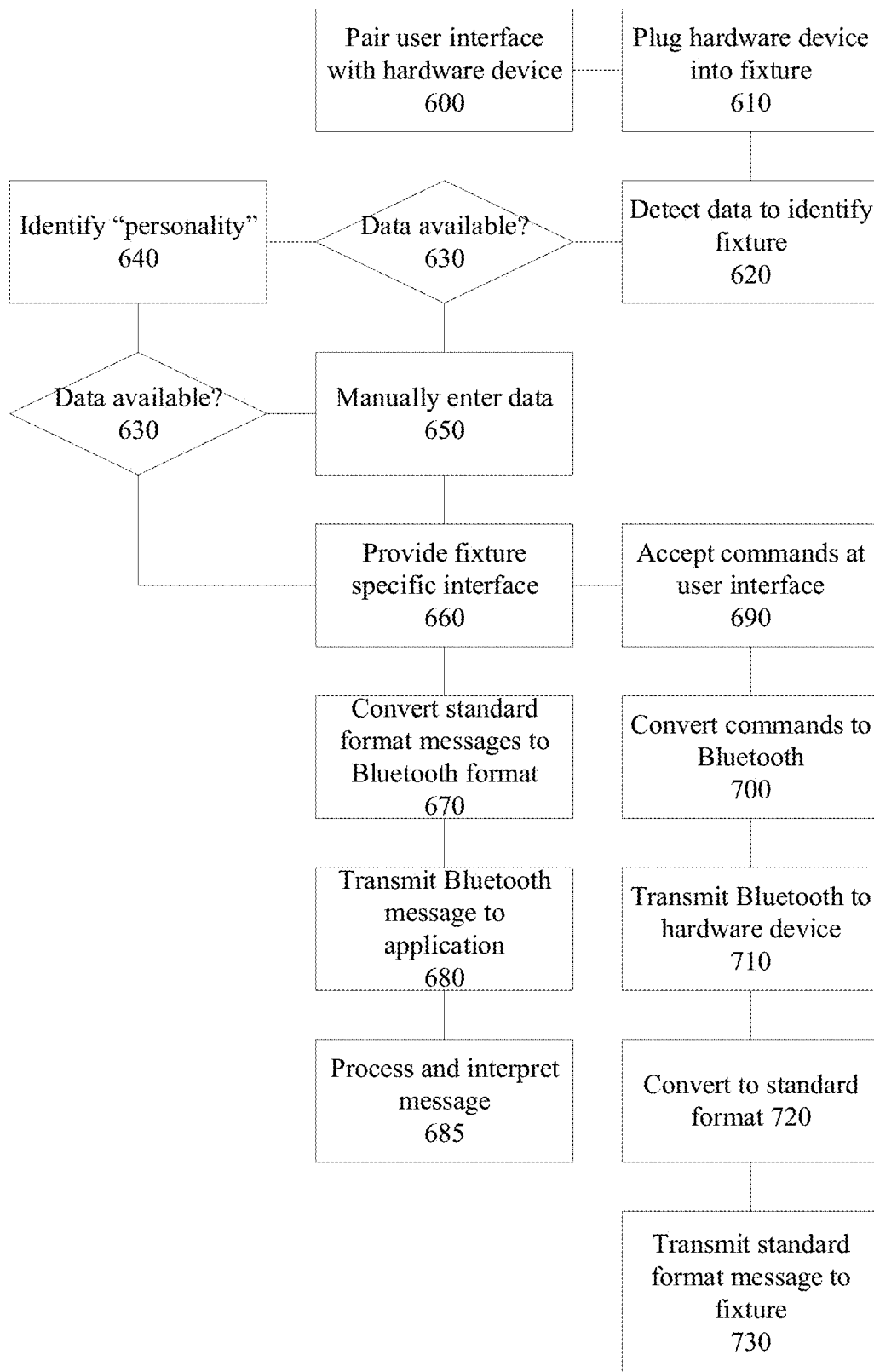


FIG. 6



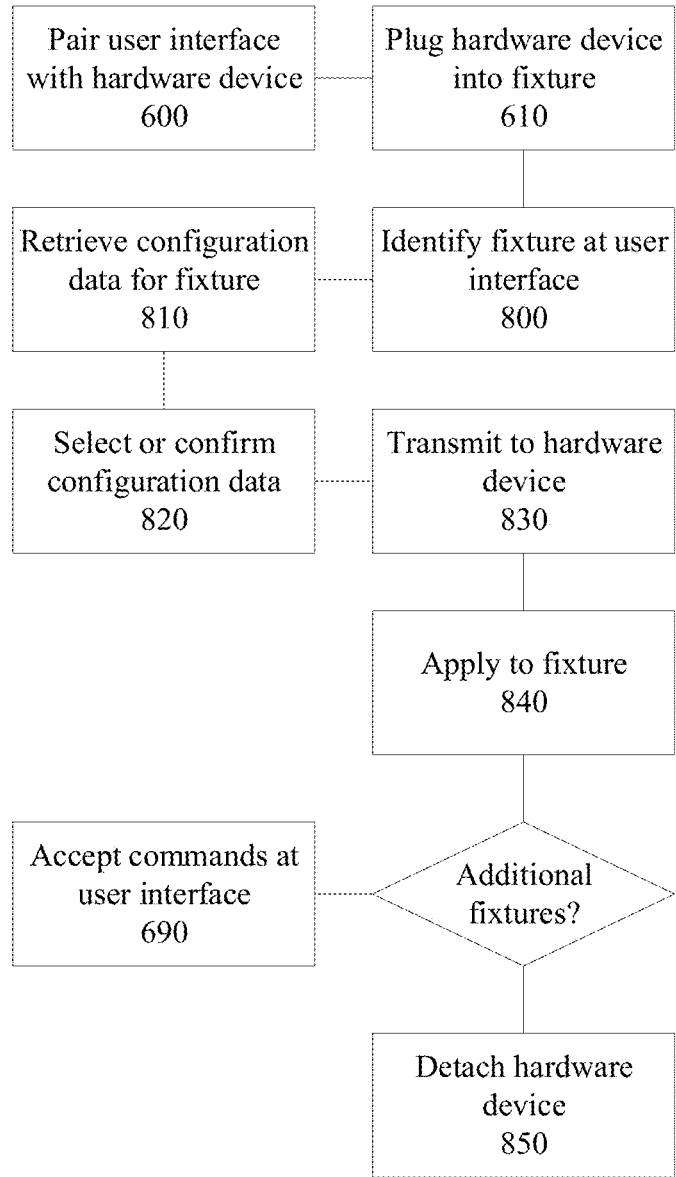


FIG. 7

**WIRELESS TOOL AND METHODS FOR  
CONTROLLING, TESTING, AND SETTING  
UP LIGHTING FIXTURES**

CROSS REFERENCE TO RELATED  
APPLICATIONS

This application is a continuation in part of U.S. patent application Ser. No. 16/155,266, filed Oct. 9, 2018, which is a continuation of U.S. patent application Ser. No. 15/788,160, filed Oct. 19, 2017, now granted as U.S. Pat. No. 10,129,964, which claims the benefit of provisional application U.S. 62/410,100 filed on Oct. 19, 2016, the entire contents of which is incorporated herein by reference.

FIELD OF THE INVENTION

This disclosure relates to wireless tool for controlling testing, and setting up systems, in particular, lighting systems.

BACKGROUND

Modern LED lighting fixtures that utilize DMX (Digital Multiplexing) for their control are often difficult to control without large, complicated, and expensive lighting controllers.

For example DMX for lighting is typically implemented using a “DMX 512” standard, which includes 512 DMX slots to control various aspects of a lighting installation. However, each of those 512 available slots may control different aspects of a lighting installation in different cases. Further, in cases where only a subset of the available 512 slots are in use, it is not always obvious which of those 512 slots are in use. Accordingly, the control of these LED fixtures requires many slots of DMX control which are often not intuitive and often require the user to look up the manual just to be able to turn on and test the fixture.

Some portable devices exist that can control individual DMX slots of a lighting installation. However, existing devices typically transmit signals blindly to specific DMX slots, and therefore a user will need to look up which slot to use in order to properly use or test various features of the lighting installation. Further, devices exist that utilize smart phone applications for control purposes. However, such devices typically require a connection from the phone’s audio jack which requires a wired connection to the device and prevents the phone from being used to make or receive phone calls while in use.

Existing tools for controlling lighting suffer from drawbacks such as being too large to carry with the user, not containing an internal database of fixture parameters, being unable to automatically load the fixture parameters via RDM, (thereby requiring the user to hunt or guess for the DMX slots that control, color, intensity, or other attributes). Further, existing tools require a wired connection between the lighting fixture and the controller thereby requiring the user to be in close proximity with the fixture. In such devices, wired controls are required since standard wireless protocols, such as RDM, require that data be transmitted at a higher rate than smartphone wireless protocols can manage.

Further, while existing systems may utilize smart phone applications, and may allow you to add text to slots to identify the parameter of the attribute once known, using that feature requires the fixture attributes to first be known. Further, once a label is set, a user typically cannot easily

move the group of labels to a new DMX start address. Accordingly, a particular setup, such as for a show, may have dozens of distinct fixture types, and setting them all up could take several hours.

Further, some existing systems only allow 12 slots of control at a time, and some fixtures may require dozens of slots of control, thus it is impossible to control the fixture adequately. Further, some slots of control have various levels that perform various distinct functions, and without direct setting of the level it is not possible to perform the various functions. For example, a slot data value of 128 may set the fixture color for a specified fixture to magenta and a slot data value of 129 may instead set the fixture color to blue. Without direct control of the slot data value, it is difficult to control this function.

Further, in order to set up lighting fixtures to properly leverage control protocols such as DMX, traditionally, all configurations had to be manually entered into the individual fixtures. Accordingly, it takes a significant amount of time and effort to manually review settings for various fixtures and enter configuration data into each device individually.

Modern DMX equipment requires many parameters to be set, and being able to configure multiple devices at once increases the accuracy of such entry. Further, current systems work only with a single manufacturer of lighting equipment. Such systems cannot typically be used for many types of fixtures across multiple manufacturers.

While configuration databases containing configuration data for lighting fixtures across multiple manufacturers do exist, no existing systems can utilize such configuration data from a lighting database and apply it into many lighting fixtures. Accordingly, existing platforms require that the configuration data, once discovered in such a database, must be manually applied to the individual lighting fixtures.

There is no portable tool that lighting users can carry with them that allows them to select and control LED lighting fixtures with DMX and RDM (Remote Device Management) with a wireless connection from the tool to the app, and which selects the fixture’s personality manually or detects it automatically using RDM.

SUMMARY

A system is designed for use by lighting professionals involved with the planning, installation, operation, or maintenance of theatrical and studio lighting equipment. The system consists of a small hardware interface device and a suite of mobile applications. Together, they combine to bring DMX/RDM control plus several other functionalities to the user’s smartphone for use wherever and whenever they are needed. In the system described, the small hardware device controls lighting fixtures using traditional DMX and RDM control protocols, and a smartphone may be used to transmit instructions to the hardware device. Accordingly, the hardware device translates instructions from the smartphone to a protocol that can be understood by the lighting fixtures.

The hardware interface device may be a compact battery powered unit which fits easily in a pocket or tool pouch or may be worn on a belt. It may use Bluetooth LE technology for communication with a smartphone application. Without requiring the user to be physically connected to the lighting fixture being controlled, the user can move about the workspace as needed with his/her smartphone and run the various apps and use it for on-the-job communication, such as troubleshooting. The device’s 5 pin XLR female connector/cable assembly allows it to be connected to a point in a DMX data chain (wired or wireless) to allow testing and or control

of the various DMX/RDM channel functions. It is charged using a standard USB to Micro-USB cable and charger.

Accordingly, the hardware interface device is a small device that lighting users can carry to allow them, via a Bluetooth connection to an app on their smart phone, to test, control, or analyze a lighting fixture. The device may automatically detect a lighting fixture's "personality" and configure itself for proper control of complex lighting fixtures. In some embodiments, the device may be provided with, or connect to, a database of lighting fixtures so that a user can look up a particular fixture to be controlled, or so that the device can configure itself appropriately.

In some embodiments, the device may be provided with, or connect to, a database of lighting fixtures to look up configuration data for particular lighting devices. Such configuration data may then be directly applied to lighting fixtures identified by the user's smartphone or the like and linked to the user's smartphone by way of the hardware device.

Accordingly, a method is provided for applying configuration settings to multiple fixtures, the method comprising first mating the hardware device with a first fixture to be controlled, the hardware device including a fixture communication interface for transmitting data to a fixture using a first communication protocol, such as DMX, and an application communication interface for wirelessly receiving information using a second communication protocol, such as Bluetooth. The device further comprises a processor for converting the information received at the application communication interface from the second communication protocol to the first communication protocol.

The method then provides a user interface device, such as a smartphone, in wireless communication with the application communication interface of the hardware device. The user interface device retrieves, from a database, at least one configuration data profile compatible with the first fixture. For example, the user's smartphone may retrieve from a database several potential configuration data profiles for use with the particular fixture model that the hardware device is connected to.

A user may then select one of the potential configuration data profiles as a first configuration data profile for application to the first fixture, and transmits the selected configuration data profile to the hardware device by way of the application communication interface. The first configuration data profile selected is then applied to the first fixture by the hardware device at the fixture communication interface.

After the first configuration data profile is applied to the first fixture, the hardware device is detached from the first fixture and mated with a second fixture to be controlled. The user interface device then retrieves, from the database, at least one configuration data profile compatible with the second fixture. The user may then select one of the potential configuration data profiles as a second configuration data profile for application to the second fixture, and transmits the selected second configuration data profile to the hardware device by way of the application communication interface. The second configuration data profile selected is then applied to the second fixture by the hardware device at the fixture communication interface.

In some embodiments, the at least one configuration data profile compatible with the first fixture is a plurality of potential configuration data profiles, and the at least one configuration data profile compatible with the second fixture is the same plurality of configuration data profiles, but the first configuration data profile is different than the second configuration data profile.

In some embodiments, the user interface device identifies a physical location associated with each of the first fixture and the second fixture.

In some embodiments, the mating of the hardware device to the first fixture is by way of a rig carrying a plurality of fixtures, and at least one configuration data profile is retrieved for each of the plurality of fixtures, and a selected configuration data profile for each of the plurality of fixtures is transmitted by way of the hardware device and the rig to the corresponding fixture.

In such an embodiment, a physical location may be defined and associated with each of the plurality of fixtures on the rig.

Typically, the first communication protocol, in this case DMX, requires more data than can be transmitted using the Bluetooth protocol, and converting the information may include adding default data or restored data to data being transmitted to the fixture. In such an embodiment, the specified format cannot be transmitted wirelessly, and the fixture cannot interpret messages formatted for the wireless protocol.

Accordingly, the method may further comprise converting the selected configuration data profile for transmission using the wireless protocol, transmitting the selected configuration data profile to the hardware device using the wireless protocol, converting the selected configuration data profile to a specified format at the hardware device, and transmitting the selected configuration data profile in the specified format to the fixture.

After configuration data is applied to the first fixture and the second fixture, the user interface device may accept user commands for the fixture that the hardware device is currently connected to. Accordingly, if currently connected to the second fixture, the user interface device may accept a user command, convert the user command for transmission using the wireless protocol, transmit the user command to the hardware device using the wireless protocol, convert the user command to the specified format at the hardware device, and transmit the user command in the specified format to the second fixture. The specified format is based at least partially on the configuration data profile selected for the corresponding fixture.

During use, the method may associate the user interface device with the fixture to which the hardware device is mated in a number of ways. In some embodiments, the fixture may identify itself by way of the hardware device. However, in most embodiments, the user interface device is associated with the first fixture and the second fixture respectively without retrieving any identifying information from the hardware device. For example, the lighting fixture may contain an identifier which can then be scanned or otherwise retrieved by the user interface device. This may be a bar code or a QR code, or it may be an RFID or NFC tag. The identifier then provides information required for retrieving the configuration data profiles compatible with the corresponding fixture.

In some embodiments, an identifier is manually entered by a user at the user interface device.

The device interfaces with a computer application, typically a smartphone application, or "app." After setup, the application associated with the device may then identify the lighting fixture to be tested and present the user with a user interface of the fixture's control parameters in graphical form, making it easy to select and control each element of the fixtures personality, such as intensity, colors, patterns, zoom, etc. In many cases, such as for fixtures that utilize RDM, the device lookup and identification of the fixture's

personality takes place automatically and it may not be necessary to look it up in the database list manually.

The app also contains several other lighting related tools that provide added functionality such as a dip switch calculator, a light meter, a Wi-Fi spectrum analyzer, a DMX analyzer, an RDM controller, as well as a DMX controller in both simple slider form and a form which emulates the keypad on a typical professional lighting desk.

Since the tool can be plugged into a lighting fixture and then the user can walk away and control it, an audible tone can be generated from the app to help the user find the tool if the user forgets where it is plugged in. Also, since much lighting work is conducted in dark areas, a flashlight is built into the tool to enable the user to see where it is being plugged into. Other features include a removable belt clip.

Optional accessories include: 5Pin XLR to RJ45 adapter, 5Pin XLR male to 3Pin XLR female adapter, 5Pin XLR male to 5PinXLR male Gender Changer, Belt pouch.

Also described are methods for utilizing the device and system described to control a fixture, such as a lighting fixture.

#### BRIEF DESCRIPTION OF THE DRAWINGS

FIG. 1A shows a hardware device in accordance with this disclosure.

FIG. 1B shows a schematic diagram of the hardware device of FIG. 1A as part of a system for controlling and testing lighting systems.

FIG. 2 shows the device of FIG. 1A connected to a lighting fixture.

FIG. 3 shows a smartphone application for use with the hardware device of FIG. 1A in the system of FIG. 1B.

FIG. 4 shows a console interface accessible through the smartphone application of FIG. 3.

FIG. 5 shows a display of the current status of a lighting interface in the application of FIG. 3.

FIG. 6 shows a method for using the system of FIG. 1B to test lighting systems.

FIG. 7 shows a method for retrieving configuration data from a database and applying it to lighting fixtures in a lighting system.

#### DETAILED DESCRIPTION OF THE PREFERRED EMBODIMENTS

The description of illustrative embodiments according to principles of several illustrative embodiments is intended to be read in connection with the accompanying drawings, which are to be considered part of the entire written description. In the description of embodiments disclosed herein, any reference to direction or orientation is merely intended for convenience of description and is not intended in any way to limit the scope of the present invention. Relative terms such as “lower,” “upper,” “horizontal,” “vertical,” “above,” “below,” “up,” “down,” “top” and “bottom” as well as derivative thereof (e.g., “horizontally,” “downwardly,” “upwardly,” etc.) should be construed to refer to the orientation as then described or as shown in the drawing under discussion. These relative terms are for convenience of description only and do not require that the apparatus be constructed or operated in a particular orientation unless explicitly indicated as such. Terms such as “attached,” “affixed,” “connected,” “coupled,” “interconnected,” and similar refer to a relationship wherein structures are secured or attached to one another either directly or indirectly through intervening structures, as well as both movable or

rigid attachments or relationships, unless expressly described otherwise. Moreover, the features and benefits are illustrated by reference to certain exemplified embodiments and may not apply to all embodiments. Accordingly, the invention expressly should not be limited to such exemplary embodiments illustrating some possible non-limiting combination of features; the scope of the claimed invention being defined by the claims appended hereto.

This disclosure describes the best mode or modes of practicing the invention as presently contemplated. This description is not intended to be understood in a limiting sense, but provides an example of the invention presented solely for illustrative purposes by reference to the accompanying drawings to advise one of ordinary skill in the art of the advantages and construction of the invention. In the various views of the drawings, like reference characters designate like or similar parts.

Intelligent lighting installations with fixtures that have multiple parameters that must be controlled typically have maps of how channels of control affect various parameters of specified lighting fixtures. Accordingly, a brand and model specific mapping may be required to identify which control channel, such as a DMX slot, control particular functions. For example, slot 1 in a particular fixture may control color and slot 2 may control panning.

Further, many lighting devices provide multiple modes that may modify the default mapping. The mapping of particular control slots to particular parameters of a lighting fixture is known as a fixture “personality.”

FIG. 1A shows a hardware device 100 in accordance with this disclosure, FIG. 1B shows a schematic diagram of a system including the hardware device of FIG. 1A, and FIG. 2 shows the hardware device 100 connected to a lighting fixture 150. As shown, the device contains a housing 105 which supports a power button 110 for activating various features of the product, an LED 120 for indicating operating status, a micro USB port 130 for charging, or providing power, to the device, and a fixture communication interface 140, which may be, for example, a 5 pin XLR female connector, for connecting the device to the lighting fixture 150 to be controlled. While the device is shown and described with a 5 pin XLR female connection, other connectors may be used as well, such as 3 pin connections or RJ45 connections. In some embodiments, adaptors may be included with the device to modify the connection type so that a single device can be used with a wide variety of lighting fixtures. In some embodiments, the hardware device may include an LED flashlight 160. Such a feature may be useful, since lighting setups are often performed in darkened studios.

The hardware device 100 is further provided with an application communication interface 175 for communicating with a user interface device 180. This may be a wireless connection, such as Bluetooth. While implementations utilizing Bluetooth are discussed at length in the present application, it will be understood that other wireless interfaces, such as Wi-Fi or other radio technologies may be implemented as well. The hardware device 100 further incorporates a processor 170 for receiving and/or interpreting and processing instructions or other data received at one of the interfaces 140, 175, and for preparing data and/or instructions for transmission at the interfaces, as well as for managing other functions and indicators for the device 100.

The user interface device 180 is typically a portable electronic device, such as a smartphone, and typically includes a user interface 195 through which a user can

interact with the hardware device **100**, a hardware device interface **190** for communicating with the corresponding application communication interface **175** of the hardware device **100**, and a processor for managing user instructions and data transmitted or received at the hardware device interface **190**. Accordingly, the hardware device **100** is provided to control the lighting fixture **150**, and a corresponding application, for use on a smart phone **180**, is provided to control the hardware device remotely. The communication between the hardware device **100** and the user interface device **180** is performed by custom characteristics in the Bluetooth protocol. These custom characteristics, while part of the Bluetooth protocol standard, are designed to overcome limitations in throughput to the device. While the device **100** is described as using Bluetooth communications, it will be understood that other communication protocols may be used as well.

Bluetooth places restrictions on both payload size and message frequency rate. Traditional DMX/RDM communications would require more data than the Bluetooth protocol can manage. Therefore custom message characteristics are required to control the lighting from a smart phone that are both size limited and rate limited such that they can be transmitted by the Bluetooth protocol. However, these custom messages cannot be easily understood by a lighting fixture, and therefore cannot be transmitted directly to the fixture.

Accordingly, in the user application at the user interface device **180**, various control surfaces generated in the smartphone application may be used by the processor **185** to generate and send commands via the hardware device interface **190** using Bluetooth custom characteristics. These commands are then received at the hardware device **100** and are converted, at the processor **170** of the device, to messages formatted in accordance with a protocol the fixture can understand, such as DMX. Feedback messages are then provided to the hardware device from the lighting fixture, similarly converted to a custom message that can be transmitted by Bluetooth, and is sent back to the application. Such feedback responses may leverage standard protocols, including RDM, to maintain two way communications between the user interface device **180** and the fixture **150**. This process is described in more detail below, with respect to FIG. **6**.

In some embodiments, the user interface device **180** uses an internet connection to retrieve the appropriate attributes for a particular fixture **150** from a cloud source. In some embodiments, the application may perform this lookup automatically when a fixture is detected, while in others a user may manually look up particular lighting fixtures based on, for example, brand and models. In some embodiments, the application is preloaded with a database of common lighting fixtures such that an internet lookup is unnecessary.

Manually looking up and inputting an identification of a particular lighting fixture may be further complicated because so many fixtures are provided with multiple personalities. In some embodiments, a manual lookup process is avoided when connecting the hardware device **100** to a compatible lighting fixture **150**. In such an embodiment, the hardware device **100** can query the fixture **150** and perform the required lookup automatically. With this information the application can display the proper control surfaces without the user manually selecting the attribute setting, thereby providing a user interface selected based on the particular fixture **150** being controlled. In querying the fixture, the

hardware device **100** may be able to identify the current personality of the lighting fixture **150** in addition to the brand and model number.

FIG. **3** shows a smartphone application for use on the user interface device **180** with the hardware device **100** of FIG. **1A**, and FIGS. **4** and **5** show two interfaces available through the smartphone application.

The smartphone application includes a DMX controller application **200**. The DMX Controller app is a flexible and feature rich means for controlling 512 slots of DMX data. Two different user interfaces are included. The first emulates a conventional slider control arrangement such as is found on many simple manual lighting controllers. Touch and swipe gestures control the various level adjustments. Users can work with and easily switch between screens displaying 8, 64, or 512 (Live View, as shown in FIG. **5**) channels of information. For those who prefer a numeric based interface similar to what is found on a full sized lighting console, command line instructions can be input using familiar keypad and thumbwheel controls, as shown in FIG. **4**. An active 16 channel display provides current channel status. With either interface, users can adjust/work with individual, groups or ranges of channels, record and play presets, customize names, and display levels as percentage, decimal or hex values.

The smartphone application further includes a fixture controller application **210**. The fixture controller App has been designed to serve as a setup and test tool for the vast selection of complex lighting fixtures in use today. Many of today's moving light fixtures use over 40 channels of DMX control data, and can be configured to operate in a dozen or more modes (personalities). This can make it difficult to identify a particular channel's function when setting up or testing/troubleshooting a fixture. Using an extensive database of manufacturers, fixtures, and corresponding personalities, users can quickly identify, select, and assign the fixture profiles being used in order to isolate and test each function. Once the Personality has been assigned, controls are displayed for testing all features like pan, tilt, zoom, focus, colors etc. The various fixtures/personalities may be saved as "favorites" for future reference.

FIG. **6** shows a method for using the system of FIG. **1B** to test and control lighting systems. It will be understood that while the device **100** and system are described with respect to lighting systems, the system may also be used to control additional fixture types other than lighting.

As shown, a user initially pairs a user interface, such as an application at the user interface device **180**, with the hardware device **100** (**600**). Once paired, the hardware device **100** is connected to a fixture that the user would like to control, typically by plugging a cable in the device **100** into the fixture **150** (**610**).

Once connected, the device **100** attempts to detect data from the fixture **150** in order to identify the fixture **150** itself (at **620**), as well as the "personality" to which the fixture is set (**640**). If data identifying the fixture **150** to be controlled cannot be retrieved by the device **100** (at **630**), a user may manually enter the data (**650**) by either manually identifying settings or by selecting the fixture from a database.

Once the fixture **150** is properly identified, the user may be provided with a fixture specific interface (**660**), or a generic set of control surfaces at the user interface **195**. This may be, for example, in the context of a smartphone application, as shown in FIG. **3-5**.

Once connected in this way, two way communication between the device **100** and the user interface device **180** may be enabled. As one example, a message may be

retrieved from the fixture **150** in a standard format at the fixture communication interface **140** of the device. This message may be in an RDM format. Once retrieved by the device, it may be converted or translated to a Bluetooth message at the processor **170** (**670**), and transmitted via Bluetooth at the application communication interface **175** (**680**). Upon receipt of these messages, they may be processed at the processor **185** of the user interface device **180** and interpreted (**685**). Such messages may provide data for display at the user interface **195**, such as the current state of the fixture **150** or data detected at any sensors of the fixture.

Similarly, or subsequent to receiving messages from the fixture **150**, the user interface device **180** may accept commands at the user interface **195** for modifying or adjusting some aspect of the fixture (**690**). Accordingly, upon receipt of a command from a user, the device may convert the command to Bluetooth, using the processor **190** (**700**), and transmit it via Bluetooth using the hardware device interface **185** (**710**). Upon receipt of the Bluetooth message via the application communication interface **175**, the message is converted, at the processor **170**, to a message format that can be interpreted by the fixture **150**, such as DMX (**720**), and then transmitted to the fixture **150** at the fixture communication interface **140** (**730**).

Typically, the message format and communication protocol used to transmit data, such as instructions, to the fixture **150** contains more data, or requires a higher rate of transmission, than can be transmitted using the communication protocol used to communication between the device **100** and the user interface device **180**. For example, DMX requires more data, or larger or faster communications, than can typically be managed via Bluetooth. Accordingly, as part of the conversion process, when DMX messages are converted to Bluetooth, certain data may be stripped or replaced with compressed data. Upon converting the data back to DMX, default data may be added, or compressed data may be restored.

In some embodiments, the smartphone application discussed above with respect to FIGS. **3-5** may contain additional features. For example, the smartphone application may further include a DMX tester application **220**. With this app, the user can adjust parameters of the controllers' transmitted DMX signals and view the parameters of received DMX signals including: Break time, Mark after Break, Inter-slot, Mark Before Break, Number of Slots, and Refresh Rates, as well as levels.

The smartphone application further includes an RDM controller application **230**. The RDM controller is an application designed to control RDM enabled fixtures. Features include:

- Control & monitoring of RDM devices

- Full discovery—detects and generates a list of all RDM devices.

- Detects all sub devices for a selected device

- Shows all supported parameters

- Shows descriptions for all parameter identifications (PID).

- GET and SET for all PIDs (even user defined)

- Monitors fixtures for any sensors with easy to view info

RDM functionality automatically detects and assigns fixture profiles, making the Fixture and Personality Test applications even easier to use.

The smartphone application further includes a DIP switch calculator application **240**. The DIP switch calculator app is a tool used in the conversion of numeric values to their binary equivalents. Used when configuring DIP switches for setting DMX slot addresses the fixture will respond to and

other fixture parameters, users simply enter a three digit numeric value and its corresponding DIP setting is displayed. Both the numbering order and reading direction can be reversed to match the switch orientation as needed.

The smartphone application further includes a light meter application **250**. Useful for studio work, this app offers reflected light measurements to help in light level adjustment for film and video production. Light levels may be displayed in LUX.

The smartphone application further includes an RF spectrum analyzer application **260**. This application assists a user in identifying potential communication problems before they happen. The RF Spectrum analyzer enables the user to visualize existing Wi-Fi networks operating within a venue. Each wireless network is labeled and shown graphically within an overall schematic representation of the 2.4 GHz RF channel spectrum. Armed with this information, wireless DMX operation can be optimized by adjusting the type of transmission (hopping patterns) and or locating the control network in uncrowded or unused areas of the RF Spectrum.

FIG. **7** shows a method for retrieving configuration data from a database and applying it to lighting fixtures in a lighting system. Accordingly, in some embodiments, the device may be provided with, or connect to, a database of lighting fixtures to look up configuration data for particular lighting devices. Such configuration data may then be directly applied to lighting fixtures identified by the user's smartphone or the like and linked to the user's smartphone by way of the hardware device.

Accordingly, a method is provided for applying configuration settings to multiple fixtures. In the method discussed above with respect to FIG. **6**, a user may pair the user interface device with the hardware device **100** (at **600**) and may then mate the hardware device with a first fixture **150** to be controlled (at **610**).

The first fixture **150** is then identified (**800**) at the user interface device. The user interface device may then be associated with the fixture **150** to which the hardware device **100** is mated. This may be done in a number of ways. In some embodiments, the fixture **150** may identify itself by way of the hardware device **100**. However, in most embodiments, the user interface device is associated with the first fixture **150** and the second fixture respectively without retrieving any identifying information from the hardware device. For example, the lighting fixture **150** may contain an identifier which can then be scanned or otherwise retrieved by the user interface device. This may be a bar code or a QR code, or it may be an RFID or NFC tag. Accordingly, a user could scan a barcode on the fixture with their phone camera, or an infrared, NFC, or barcode reader that connects the user interface device. Alternatively, the hardware device **100** may incorporate a reader for the identifier and the hardware device may then read the identifier and transmit the information contained therein to the user interface device. In some embodiments, an identifier is manually entered by a user at the user interface device.

The identifier then provides information required for retrieving the configuration data profiles compatible with the corresponding fixture.

The user interface device then retrieves, from a database, at least one configuration data profile compatible with the first fixture (**810**). For example, the user's smartphone may retrieve from a database several potential configuration data profiles for use with the particular fixture **150** model that the hardware device **100** is connected to. In some embodiments, only a single configuration data profile is retrieved for the first fixture **150**.

A user may then select or confirm (820) one of the potential configuration data profiles as a first configuration data profile for application to the first fixture 150, and transmit (830) the selected configuration data profile to the hardware device 100 by way of the application communication interface. Where only a single configuration data profile is retrieved for the first fixture 150, the profile may be presented to the user for review, and the user may push a button or otherwise confirm that the retrieved configuration data profile is correct prior to transmitting the configuration data profile to the hardware device 100 (at 830). The first configuration data profile selected is then applied (840) to the first fixture 150 by the hardware device 100 at the fixture communication interface.

After the first configuration data profile is applied to the first fixture 150, if additional fixtures must be set up, the hardware device is detached (850) from the first fixture 150 and mated with a second fixture to be controlled (610). The second fixture 150 is then identified (800) in much the same way as the first fixture was.

The user interface device then retrieves (810), from the database, at least one configuration data profile compatible with the second fixture 150. If the second fixture 150 is the same model as the first fixture, for example, the at least one configuration data profile will be the same configuration data profile or set of potential configuration data profiles as those presented for the first fixture. The user may then select or confirm (820) the configuration data profile as a second configuration data profile for application to the second fixture 150, and transmit (830) the selected second configuration data profile to the hardware device 100 by way of the application communication interface. The second configuration data profile selected is then applied (840) to the second fixture 150 by the hardware device 100 at the fixture communication interface.

The method may be repeated for as long as there are additional fixtures 150 to be configured. Once all fixtures 150 are configured, the method may proceed as discussed with respect to FIG. 6, and the user interface device 100 may, for example, accept commands at the user interface (690).

In some embodiments, such as where the first fixture 150 is a lighting fixture of the same model as the second fixture, the at least one configuration data profile compatible with the first fixture may be the same as the at least one configuration data profile compatible with the second fixture, and therefore the same configuration data profile would be transmitted to each fixture. In other embodiments, the first fixture and the second fixture may be different and the configuration data profiles are different.

The user interface device 100 may identify a physical location associated with each of the first fixture and the second fixture. Accordingly, once the hardware device 100 is plugged into a specific fixture 150, a user can view the device on their phone, it can be incorporated into a map of all fixtures for a particular setup, and a user can drag and drop a database configuration onto the fixture or the fixture onto a particular database configuration.

The mating of the hardware device 100 to the first fixture 150 may be by way of a rig carrying a several fixtures 150. In that case, at least one configuration data profile is retrieved for each of the fixtures 150, and a selected configuration data profile for each of the plurality of fixtures is transmitted by way of the hardware device 100 and the rig to the corresponding fixture. In such a scenario, several fixtures 150 may be setup without detaching the hardware device 100.

Further, in such a scenario, a physical location may be defined and associated with each of the fixtures 150 on the rig.

In some embodiments, a user may associate the user interface device with a plurality of lighting fixtures for which configuration data profiles are needed. Accordingly, a user may scan several lighting fixtures and indicate that the configuration data profiles are to be transmitted to such lighting fixtures consecutively. The method may then retrieve all required configuration data profiles and queue them for transmission, and the hardware device may then be mated with each of the lighting fixtures consecutively such that once mated, the user interface device transmits the queued configuration data profile for the corresponding lighting fixture.

As discussed above with respect to transmitting instructions to fixtures 150, the first communication protocol, in this case DMX or RDM, requires more data than can be transmitted using the Bluetooth protocol, and converting and transmitting the information may include adding default data or restored data to data being transmitted to the fixture 150. In such an embodiment, the specified format cannot be transmitted wirelessly, and the fixture cannot interpret messages formatted for the wireless protocol.

Accordingly, when transmitting the configuration data to the hardware device 150 (at 830), the selected configuration data profile may be converted for transmission using the wireless protocol prior to transmission. The selected configuration data profile may then be converted to a specified format at the hardware device prior to applying it to the fixture 150 (at 840).

While the present invention has been described at some length and with some particularity with respect to the several described embodiments, it is not intended that it should be limited to any such particulars or embodiments or any particular embodiment, but it is to be construed with references to the appended claims so as to provide the broadest possible interpretation of such claims in view of the prior art and, therefore, to effectively encompass the intended scope of the invention. Furthermore, the foregoing describes the invention in terms of embodiments foreseen by the inventor for which an enabling description was available, notwithstanding that insubstantial modifications of the invention, not presently foreseen, may nonetheless represent equivalents thereto.

What is claimed is:

1. A method for applying configuration settings to multiple fixtures, the method comprising:
  - mating a hardware device with a first fixture to be controlled, the hardware device comprising a fixture communication interface for communicating with the fixture and an application communication interface for communicating wirelessly with a user interface device;
  - providing a user interface device in wireless communication with the application communication interface of the hardware device;
  - retrieving, from a database, a first configuration data profile compatible with the first fixture;
  - transmitting the first configuration data profile to the hardware device by way of the application communication interface;
  - applying the first configuration data profile selected to the first fixture at the fixture communication interface;
  - detaching the hardware device from the first fixture and mating the hardware device with a second fixture to be controlled;

13

retrieving, from the database, a second configuration data profile compatible with the second fixture;  
transmitting the second configuration data profile to the hardware device by way of the application communication interface; and  
applying the second configuration data profile selected to the second fixture at the fixture communication interface.

2. The method of claim 1, wherein the first configuration data profile and the second configuration data profile are the same configuration data profile.

3. The method of claim 1, wherein the user interface device identifies a physical location associated with each of the first fixture and the second fixture.

4. The method of claim 1, wherein the mating of the hardware device to the first fixture is by way of a rig carrying a plurality of fixtures, and wherein at least one configuration data profile is retrieved for each of the plurality of fixtures, and wherein configuration data profiles corresponding to each of the plurality of fixtures is transmitted by way of the hardware device and the rig to the corresponding fixture.

5. The method of claim 4, wherein the method may retrieve, from the database, a plurality of configuration data profiles comprising the at least one configuration data profile retrieved for each of the plurality of fixtures, and wherein the transmission of the plurality of configuration data profiles to the rig is after retrieving all configuration data profiles for fixtures connected to the rig.

6. The method of claim 4, wherein each of the plurality of fixtures is associated with a physical location by way of the user interface device.

7. The method of claim 1, further comprising:  
converting the first configuration data profile for transmission using a wireless protocol;  
transmitting the first configuration data profile to the hardware device using the wireless protocol;  
converting the first configuration data profile to a specified format at the hardware device, and  
transmitting the first configuration data profile in the specified format to the fixture.

8. The method of claim 7 wherein the wireless protocol is Bluetooth and the specified format is a DMX format.

9. The method of claim 7 wherein converting to the specified format comprises adding content to the first configuration data profile.

14

10. The method of claim 7, wherein the specified format cannot be transmitted wirelessly, and where the fixture cannot interpret messages formatted for the wireless protocol.

11. The method of claim 1, wherein the multiple fixtures are lighting fixtures.

12. The method of claim 1 further comprising:  
accepting a user command for the second fixture at a user interface of the user interface device;  
converting the user command for transmission using a wireless protocol;  
transmitting the user command to the hardware device using the wireless protocol;  
converting the user command to a specified format at the hardware device; and  
transmitting the user command in the specified format to the second fixture;  
wherein the specified format is based on the configuration data profile selected for the second fixture.

13. The method of claim 1 further comprising associating the user interface device with the first fixture without retrieving identifying information from the hardware device.

14. The method of claim 13 further comprising scanning an identifier at the first fixture using the user interface device, the identifier providing information required for retrieving the at least one configuration data profile compatible with the first fixture.

15. The method of claim 14, wherein the user interface device is a smartphone, and the identifier is a bar code or QR code located at the first fixture.

16. The method of claim 13 further comprising manually entering an identifier at the user interface device.

17. The method of claim 1, wherein the database is external to the user interface device, and is accessed using an internet connection.

18. The method of claim 1, further comprising presenting the first configuration data profile for review and receiving a confirmation that the first configuration data profile should be transmitted to the hardware device at the user interface device prior to transmitting the first configuration data profile to the hardware device.

\* \* \* \* \*