



US010767847B2

(12) **United States Patent**  
**Yellin et al.**

(10) **Patent No.:** **US 10,767,847 B2**

(45) **Date of Patent:** **\*Sep. 8, 2020**

(54) **PHOTOGRAPHIC LIGHTING DEVICE**

(71) Applicant: **DOPCHOICE GMBH**, Munich (DE)

(72) Inventors: **David Yellin**, Berlin (DE); **Ralf Polaczek**, Berlin (DE)

(73) Assignee: **DOPCHOICE GMBH**, Munich (DE)

(\* ) Notice: Subject to any disclaimer, the term of this patent is extended or adjusted under 35 U.S.C. 154(b) by 0 days.

This patent is subject to a terminal disclaimer.

(21) Appl. No.: **16/695,811**

(22) Filed: **Nov. 26, 2019**

(65) **Prior Publication Data**

US 2020/0096188 A1 Mar. 26, 2020

**Related U.S. Application Data**

(63) Continuation of application No. 16/114,854, filed on Aug. 28, 2018, which is a continuation of application (Continued)

(30) **Foreign Application Priority Data**

Jun. 1, 2012 (DE) ..... 10 2012 104 779

(51) **Int. Cl.**

**F21V 29/70** (2015.01)

**F21V 7/16** (2006.01)

(Continued)

(52) **U.S. Cl.**

CPC ..... **F21V 29/70** (2015.01); **F21V 1/06** (2013.01); **F21V 7/16** (2013.01); **F21V 7/18** (2013.01);

(Continued)

(58) **Field of Classification Search**

CPC ..... F21V 1/06; F21V 7/16; F21V 7/18

See application file for complete search history.

(56) **References Cited**

U.S. PATENT DOCUMENTS

3,946,221 A 3/1976 Gandini

4,757,425 A 7/1988 Waltz

(Continued)

FOREIGN PATENT DOCUMENTS

CN 101373061 B 2/2009

CN 101592295 A 12/2009

(Continued)

OTHER PUBLICATIONS

English translation of Chinese Office Action for Chinese Application No. 201380030935.8, dated Jul. 5, 2017.

(Continued)

*Primary Examiner* — Bryon T Gyllstrom

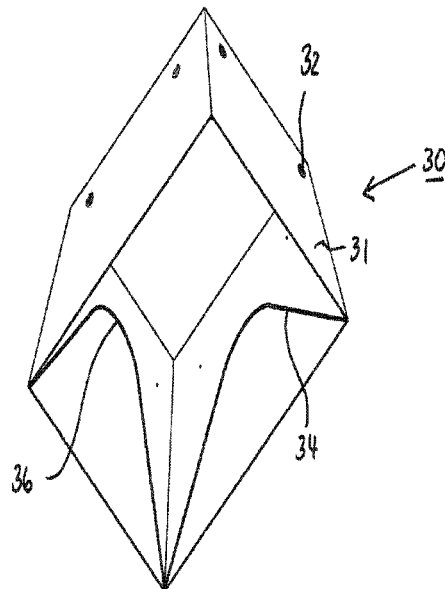
*Assistant Examiner* — Colin J Cattanach

(74) *Attorney, Agent, or Firm* — Butzel Long

(57) **ABSTRACT**

The application relates to a lighting device, comprising a housing, a planar arrangement of lamps, which are arranged in the housing, and a plate device, which is received on the housing, wherein a housing rear wall is formed by the plate device, the plate device has a circuit board, on which an electric circuit associated with the lamps is arranged, and the plate device has a heat sink device for passive cooling, which is formed by pin-type cooling elements. The application also relates to a headlight.

**11 Claims, 8 Drawing Sheets**



**Related U.S. Application Data**

No. 14/405,052, filed as application No. PCT/DE2013/100197 on Jun. 3, 2013.

(51) **Int. Cl.**

*F21V 7/18* (2006.01)  
*F21V 1/06* (2006.01)  
*F21V 29/81* (2015.01)  
*F21V 29/80* (2015.01)  
*F21V 29/60* (2015.01)  
*F21Y 115/10* (2016.01)  
*F21Y 105/16* (2016.01)  
*F21W 131/406* (2006.01)

(52) **U.S. Cl.**

CPC ..... *F21V 29/60* (2015.01); *F21V 29/80* (2015.01); *F21V 29/81* (2015.01); *F21W 2131/406* (2013.01); *F21Y 2105/16* (2016.08); *F21Y 2115/10* (2016.08)

(56) **References Cited**

U.S. PATENT DOCUMENTS

4,998,189 A \* 3/1991 Guggemos ..... F21V 7/00 362/260  
 5,311,409 A 5/1994 King  
 5,556,186 A 9/1996 Pilby  
 6,030,087 A \* 2/2000 Whittle ..... F21V 7/18 362/18  
 6,076,935 A \* 6/2000 Kester ..... G03B 15/02 362/16  
 6,164,801 A 12/2000 Alexander-Katz  
 6,269,003 B1 7/2001 Wen-Chen  
 6,411,778 B1 6/2002 Peterson  
 6,422,709 B1 7/2002 Panagiotou  
 6,513,955 B1 2/2003 Waltz  
 6,595,665 B1 7/2003 Park  
 7,341,362 B2 3/2008 Bjornson  
 7,974,099 B2 7/2011 Grajcar  
 7,993,031 B2 8/2011 Grajcar  
 8,313,203 B1 11/2012 Guiney  
 2003/0063462 A1 4/2003 Shimizu  
 2003/0128542 A1 7/2003 Pohlert  
 2004/0120152 A1 6/2004 Bolta  
 2005/0088836 A1 \* 4/2005 Lowe ..... G03B 15/06 362/18  
 2005/0225959 A1 10/2005 Pohlert  
 2005/0231948 A1 10/2005 Pohlert  
 2006/0007666 A1 \* 1/2006 Cook ..... G03B 15/02 362/16  
 2006/0126319 A1 6/2006 Pohlert  
 2006/0152933 A1 7/2006 Kramer

2007/0076381 A1 4/2007 Han  
 2007/0217772 A1 9/2007 Lemelson  
 2007/0230185 A1 10/2007 Shuy  
 2008/0068839 A1 3/2008 Matheson  
 2008/0087911 A1 4/2008 Stoyan  
 2008/0101067 A1 5/2008 Cariboni  
 2008/0117637 A1 5/2008 Chang  
 2008/0191219 A1 8/2008 Villard  
 2008/0296589 A1 12/2008 Speier  
 2009/0002946 A1 1/2009 Horng  
 2009/0109617 A1 4/2009 Grajcar  
 2009/0161339 A1 6/2009 Gonzalez  
 2009/0180290 A1 7/2009 Grajcar  
 2009/0194251 A1 8/2009 Wei  
 2009/0296412 A1 12/2009 Ogawa  
 2010/0027276 A1 2/2010 Kornitz  
 2010/0096993 A1 4/2010 Ashdown  
 2010/0097799 A1 4/2010 Shin  
 2010/0124068 A1 5/2010 Karle  
 2010/0128479 A1 5/2010 Biebl  
 2010/0128483 A1 5/2010 Reo  
 2010/0210918 A1 8/2010 Dunn  
 2010/0264826 A1 10/2010 Yatsuda  
 2010/0308707 A1 12/2010 Ku  
 2011/0114977 A1 5/2011 Miura  
 2011/0156587 A1 6/2011 Wu  
 2011/0188203 A1 8/2011 Smith  
 2011/0194258 A1 8/2011 Kodadek, III  
 2011/0198068 A1 8/2011 Chen  
 2012/0061070 A1 3/2012 Kornitz  
 2012/0063116 A1 3/2012 Baxter  
 2012/0069566 A1 3/2012 Huang  
 2012/0163003 A1 6/2012 Lee  
 2012/0325982 A1 12/2012 Guercio  
 2013/0120973 A1 5/2013 Chen  
 2013/0208443 A1 8/2013 Pearsall

FOREIGN PATENT DOCUMENTS

CN 101646898 A 2/2010  
 CN 102116423 A 7/2011  
 DE 202006015506 U1 1/2007  
 DE 2020060154506 U1 1/2007  
 DE 102006048230 A1 4/2008  
 DE 202009017596 U1 3/2010  
 EP 2341282 A1 7/2011  
 WO 2011109765 A2 9/2011

OTHER PUBLICATIONS

International Search Report for PCT Application No. PCT/DE2013/100197, International Filing Date: Jun. 3, 2013; 3 pgs.  
 Written Opinion for PCT Application No. PCT/DE2013/100197, International Filing Date: Jun. 3, 2013; 4 pgs.

\* cited by examiner

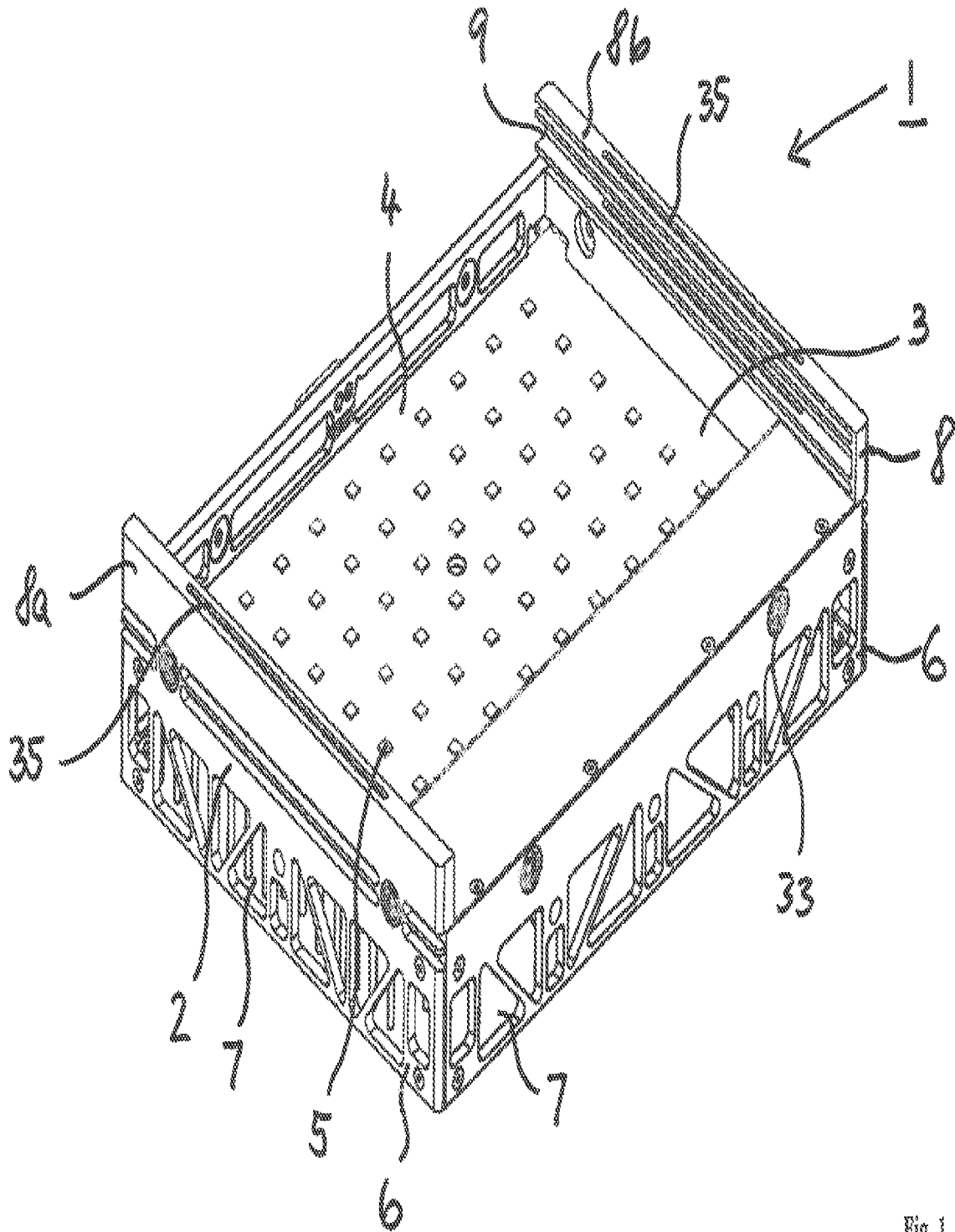


Fig. 1

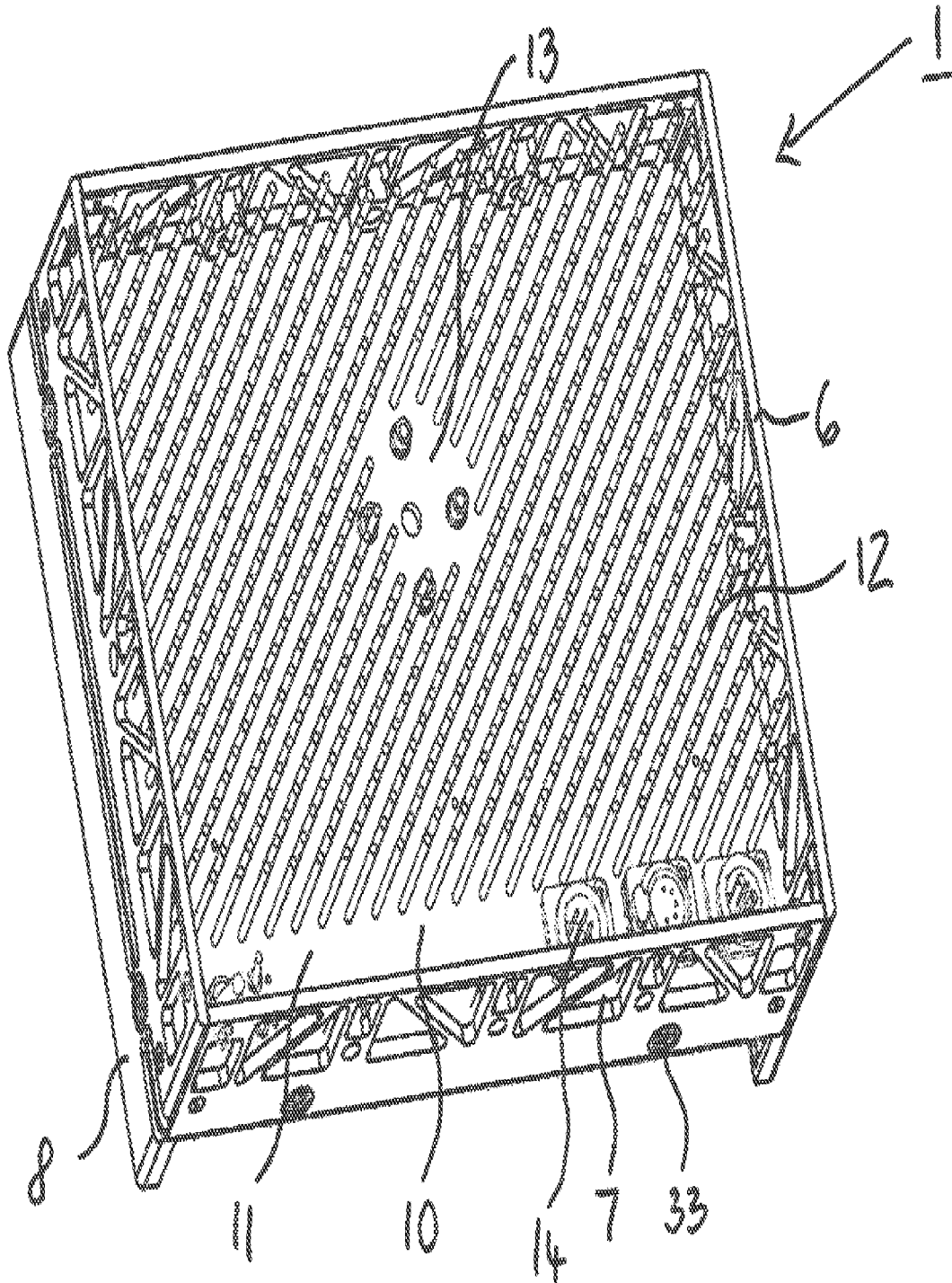


Fig. 2

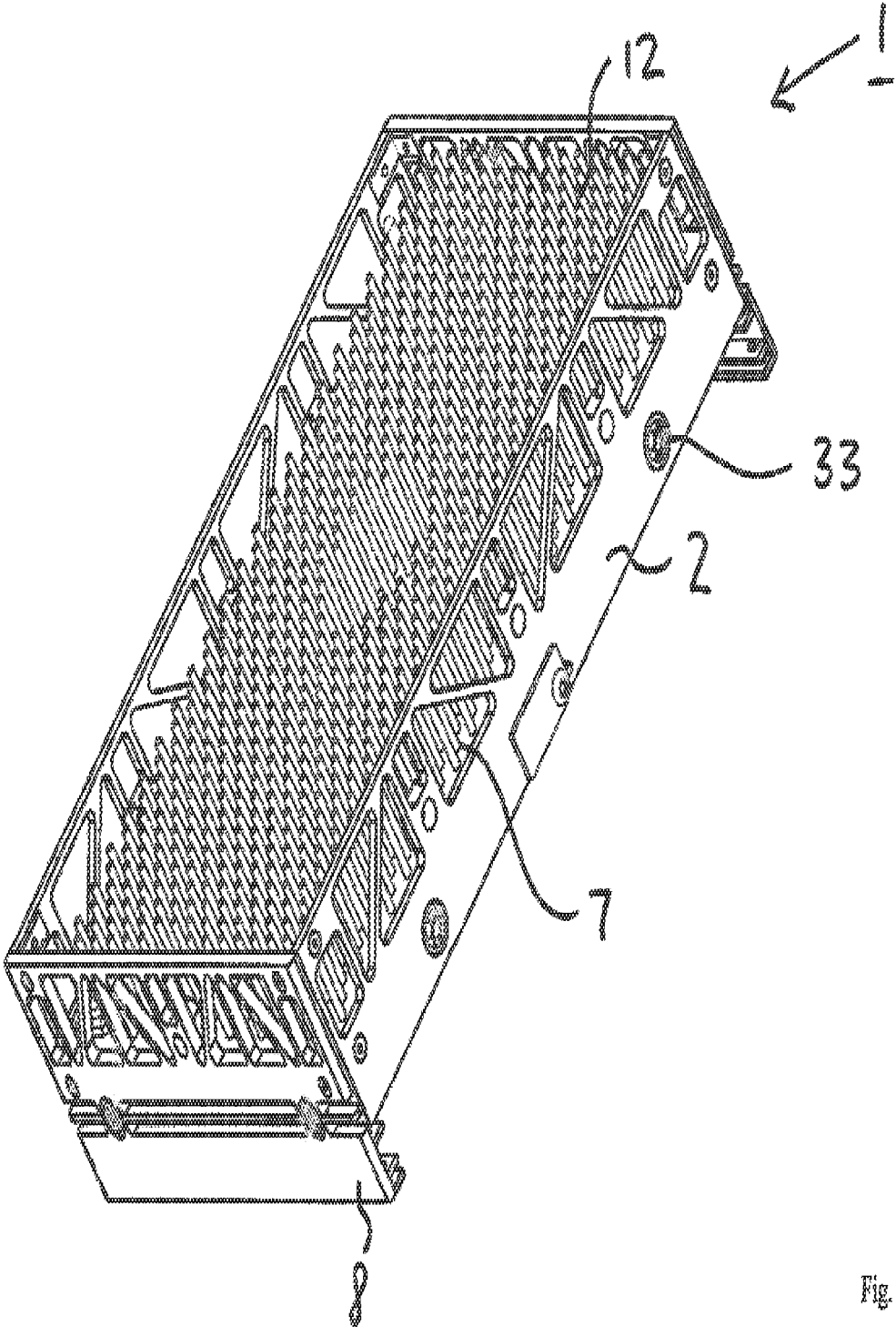
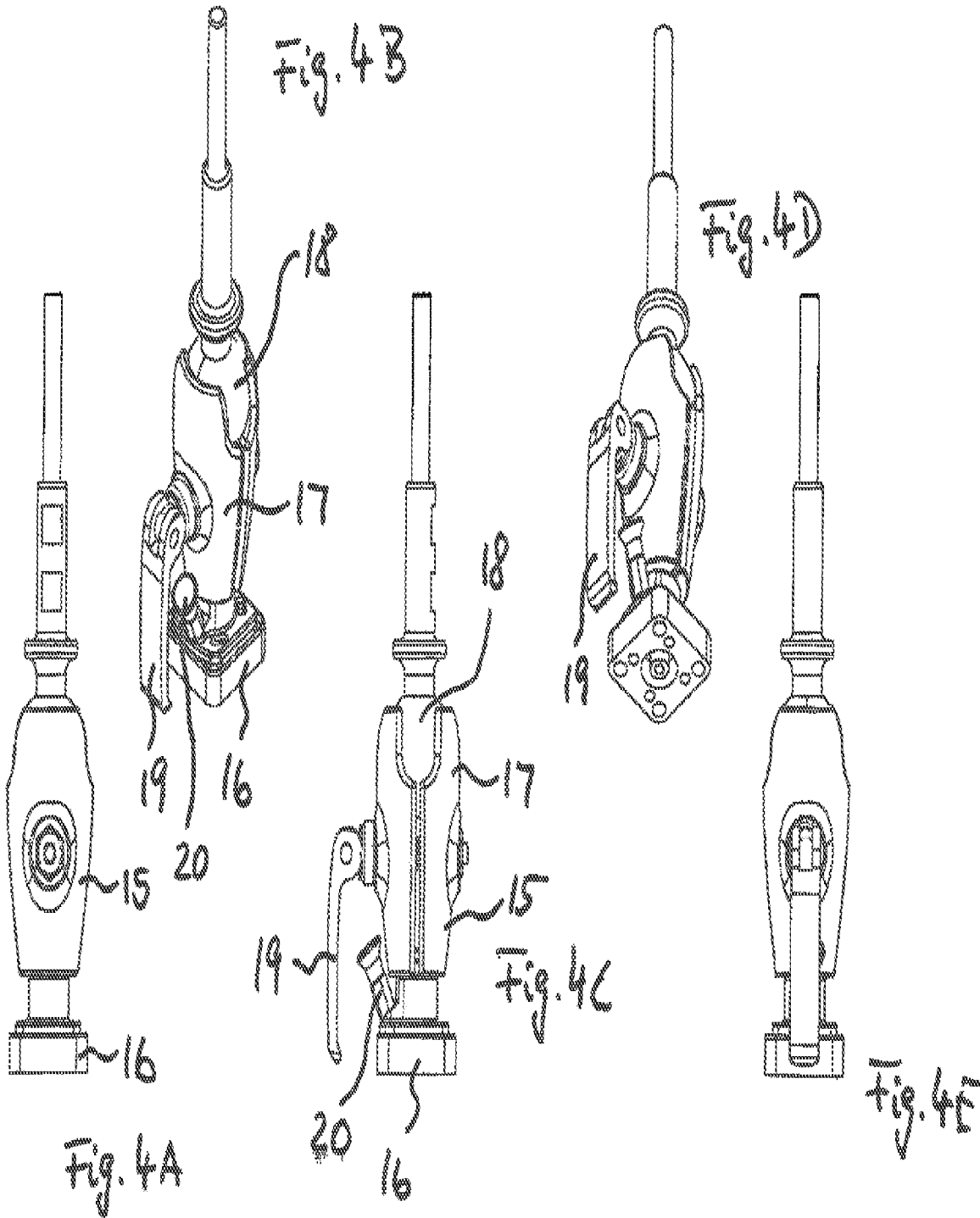


Fig. 3



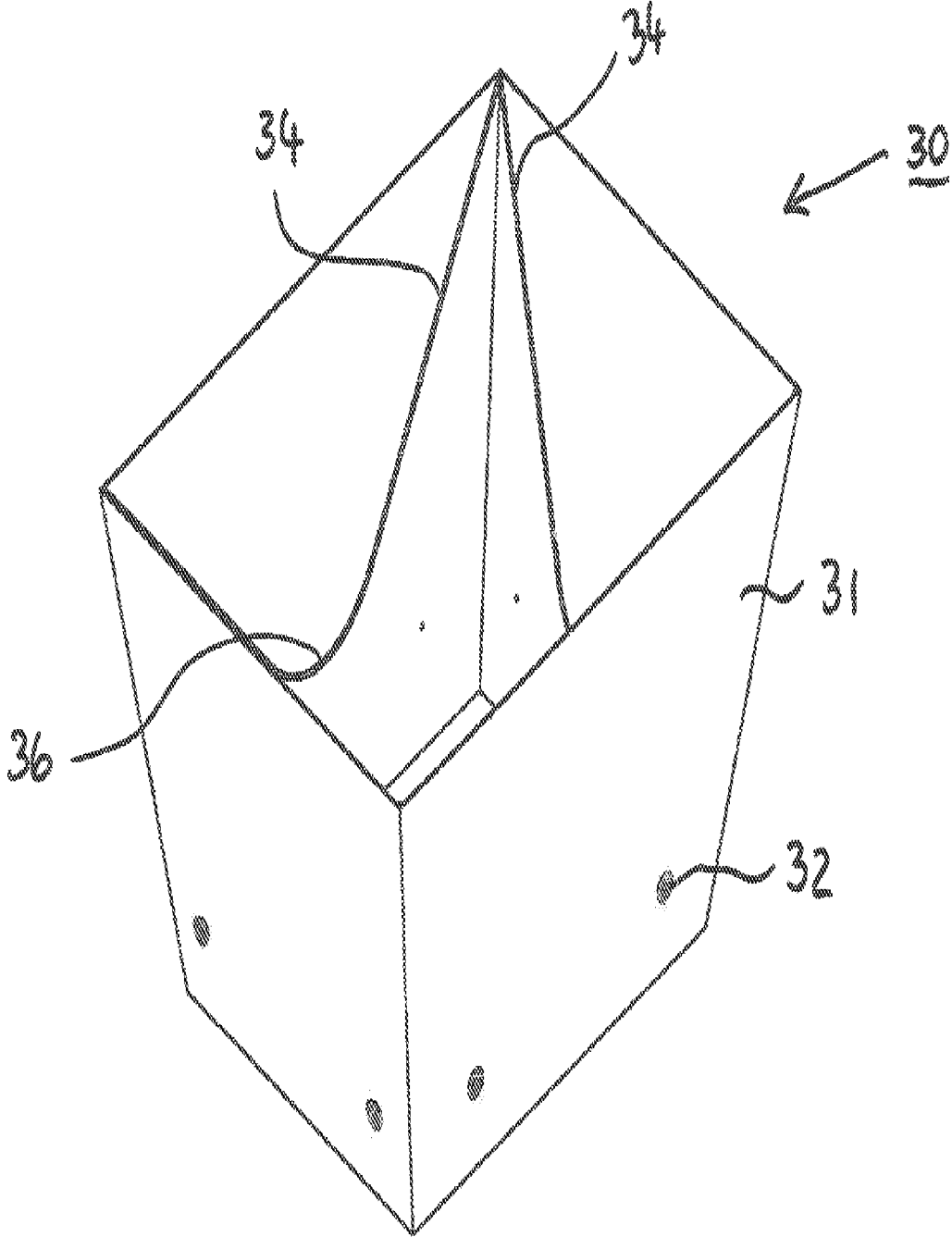


Fig. 5

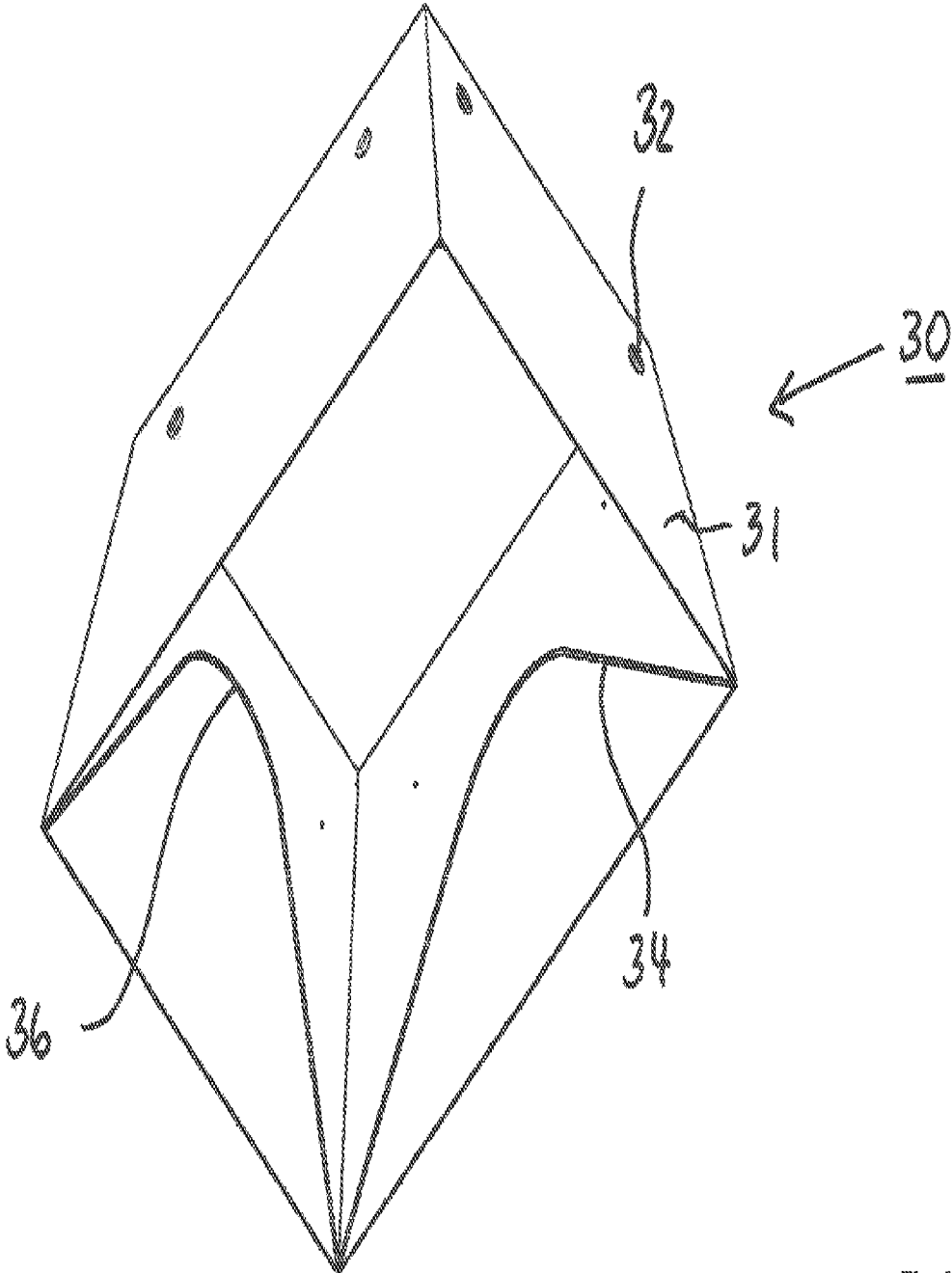
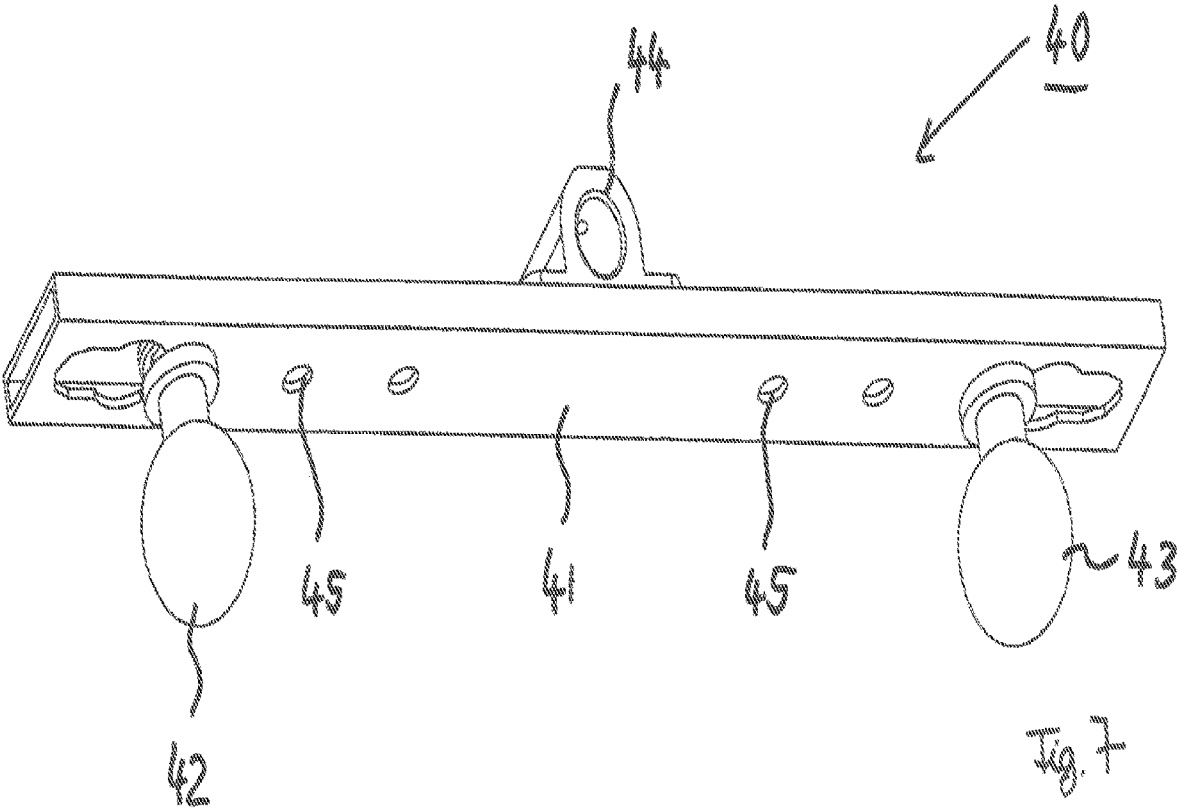


Fig. 6





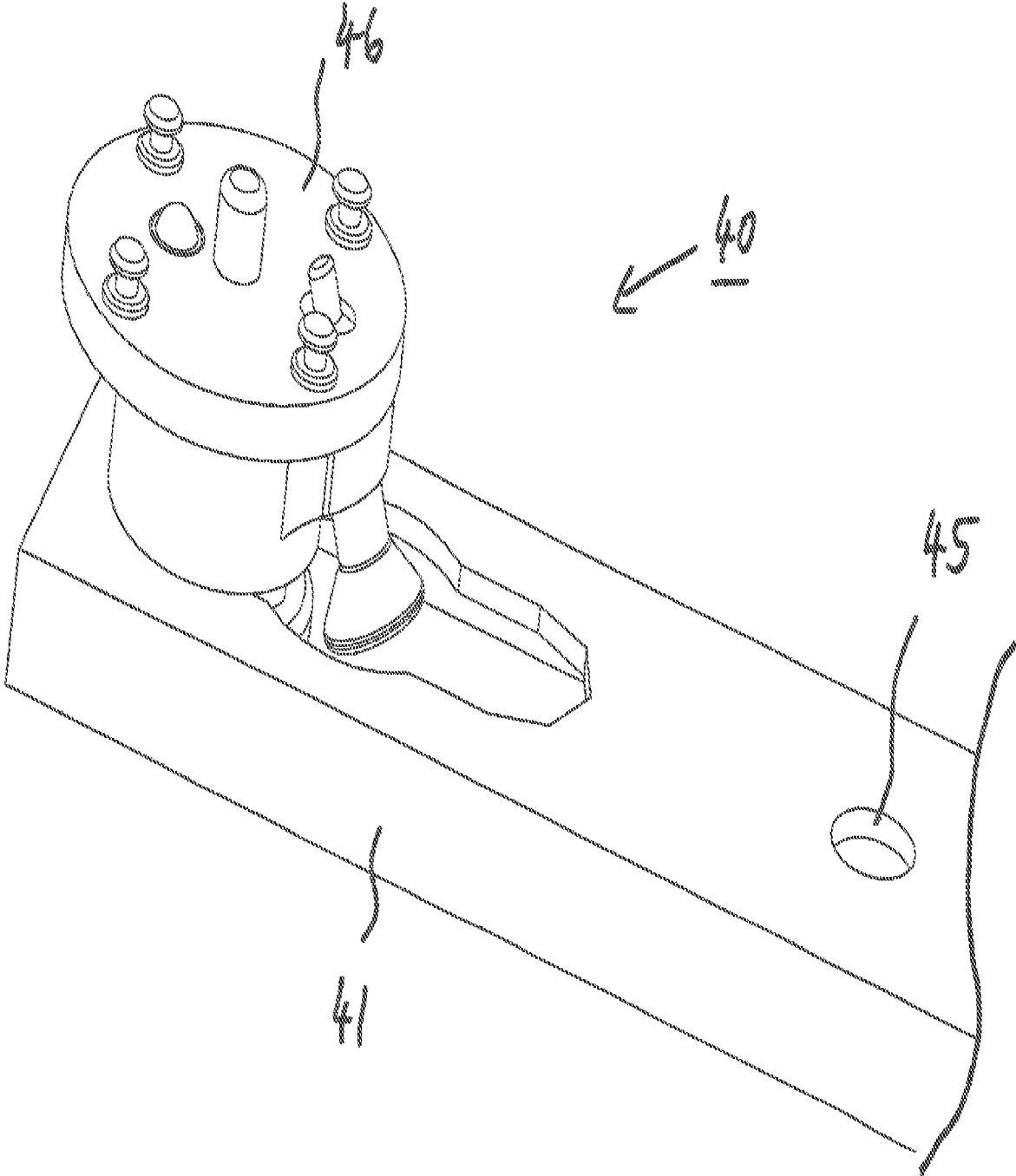


Fig. 8

**PHOTOGRAPHIC LIGHTING DEVICE**

## FIELD OF TECHNOLOGY

The invention relates to a lighting device and also to a headlight, in particular headlight for recording video or shooting photos.

## BACKGROUND

Lighting devices are routinely used to illuminate or light up objects, spaces or the like. They normally have a housing and lamps, which are received in the housing and which output light when an electric voltage is applied

A particular form of lighting devices is constituted by studio or camera headlights, which are configured as lighting devices to provide light for photo shooting or video recording. Particular requirements are routinely placed on such headlights in order to meet the light conditions necessary for photo shooting or video recording. On the one hand, the light must have sufficient light intensity. The headlights should also enable long-term recording and shooting. Known lighting devices meet the diverse requirements only inadequately in the different situations of use.

## SUMMARY

The object of the invention is therefore to specify a lighting device which can be used in a versatile manner in different situations of use, in particular also for mobile applications. To this end, the mechanical and electrical structure of the lighting device is to be optimised. The lighting device is to be suitable in particular for use in photo shooting and video recording.

This object is achieved by the embodiments disclosed herein.

A lighting device comprising a housing, a planar arrangement of lamps, which are arranged in the housing, and a plate device, which is received on the housing, is created. A housing rear wall is formed by the plate device. The plate device has a circuit board, on which an electric circuit associated with the lamps is arranged. Furthermore, the plate device has a heat sink device for passive cooling, said heat sink device being formed with pin-type cooling elements.

A headlight, in particular for recording video or shooting photos, comprising such a lighting device is also created.

The lighting device has a function-optimised housing design. A multifunctional component of the lighting device is thus created with the plate device and is configured to provide a number of functions. On the one hand, the rear wall for the housing is formed by the plate device. Furthermore, the plate device has a circuit board, on which an electric circuit arrangement for the lamps is arranged. Lastly, the plate device also provides a cooling function since it has a heat sink device for passive cooling.

The circuit board preferably extends in the plane of the plate device, wherein the circuit board may substantially cover the entire area of the plate device forming the housing rear wall.

Electric operating elements of the lighting device, for example one or more switches and/or a dimming device, can be housed partially or completely on the front side of the circuit board with the lamps. This supports an airflow onto the rear side that is unhindered to the greatest possible extent. Some of the operating elements may protrude through the circuit board with the lamps and may thus be operated from the rear side. At least some of the electric

operating elements can be housed on the circuit board with the lamps. To this end, the circuit board can be configured as a multi-layer circuit board.

The pin-type cooling elements form a planar arrangement of cooling elements, wherein the pin-type cooling elements can be distributed over the area in accordance with a uniform distribution. The pin-type cooling elements may extend substantially over the entire rear wall region. The heat sink device in this respect forms a passive cooling device in whole or in part.

A convective pin arrangement can be formed with the pin-type cooling elements, said arrangement being formed to provide convective heat dissipation. The pin-type cooling elements can be arranged so as to be exposed, that is to say not shielded by the housing parts with respect to the surrounding environment, in particular on the rear side of the housing.

In accordance with a development, the lamps are each configured as LED luminaires. The circuit board can be fitted with the LED luminaires and/or other lamps. In one embodiment, the arrangement of the lamps comprises at least 60 LED luminaires, which for example have a power of at least approximately 3 watts. In one embodiment, the arrangement of lamps comprises LED luminaires of at least one first LED luminaire type and one second LED luminaire type, wherein the first and the second LED luminaire type differ in terms of at least one operating parameter. For example, daylight LED luminaires and also artificial light LED luminaires can be included in the arrangement of the lamps. The light of the different LED luminaire types then mixes during operation. The contribution of the different LED luminaire types to the light output can be controlled continuously in a specific operating situation. For example, the artificial light and the daylight proportion can thus be adjusted depending on the application. White-light LEDs are preferably used. For light generation, blue LED luminaires with a phosphor plate arranged in front for light colour conversion can be used. LED luminaires in which the light-converting phosphor layer is part of the LED luminaire itself can also be used. In one embodiment, the lighting device has a mobile energy supply, with which battery operation is made possible.

In one embodiment, the heat sink device may have a base plate, on which the pin-type cooling elements are arranged on the rear side. The pin-type cooling elements are thermally conductively connected to the base plate, such that heat produced at the base plate can be transferred to the pin-type cooling elements and can then be delivered from there to the surrounding environment.

In accordance with one embodiment, the base plate is formed separately from the circuit board and is arranged in the plate device on the rear side relative to the circuit board. In this embodiment, the base plate forms a type of support plate for the pin-type cooling elements. The base plate may be attached to the plate device by means of adhesive bonding, for example on the rear side of the circuit board, wherein the base plate is thermally coupled directly or indirectly to the circuit board via one or more intermediate layers.

In accordance with a development, the circuit board preferably forms the base plate. In this embodiment the pin-type cooling elements are arranged on the circuit board itself. The pin-type cooling elements are preferably coupled thermally to a cooling core of the circuit board.

In one embodiment, the pin-type cooling elements may be configured in accordance with at least one of the following designs: adhesively bonded pin-type elements, welded pin-

type elements, soldered pin-type elements and press-fitted pin-type elements. In the embodiment of the pin-type cooling elements as adhesively bonded pin-type elements, a heat-resistant adhesive is preferably used in order to fasten the pin-type cooling elements in the heat sink device. A heat-conducting adhesive can be used as adhesive. Such a heat-conducting adhesive can also be used to receive the above-explained support plate with the pin-type cooling elements in the plate device in an adhesively bonded manner. The pin-type cooling elements may in turn have different cross-sectional shapes, including round or angular cross-sectional shapes. The pin-type elements have a pin base, which is then arranged on the base plate or in an associated recess in the base plate. In one embodiment, the pin base has the same circumference as the pin body arranged thereabove. However, the pin base may also have a larger or smaller cross-sectional area than the pin body arranged thereabove. The pin base is preferably received in an associated recess in the base plate in a form-fitting manner. The pin-type cooling elements for example may have a pin length between approximately 30 mm and approximately 40 mm, preferably of approximately 35 mm. The diameter of the pin-type cooling elements is preferably between approximately 2.5 mm and approximately 3.5 mm, preferably approximately 3 mm. The mutual distance between adjacent pin-type cooling elements may be, for example, approximately 9 mm to approximately 10 mm, preferably approximately 9.5 mm.

In accordance with a development, the circuit board may have a cooling core made of metal. The pin-type cooling elements are thermally coupled to the cooling core. In this or other embodiments, the circuit board may be bevelled at the sides thereof or bent over, such that the bevelled regions of the circuit board simultaneously form a housing portion partially or completely. By way of example, an aluminium circuit board can be used, which has a cooling core made of aluminium. The cooling pin-type elements can be received on the circuit board such that they are coupled thermally to the cooling core directly or indirectly. There may be direct contact between the cooling pin-type elements and the cooling core.

In accordance with a development, an active cooling device that is suitable for creating a forced fluid flow through the pin-type cooling elements is provided. The active cooling device can be arranged to the side of the arrangement of cooling pin-type elements, preferably on the rear side of the plate device. For active cooling, one or more fans can be used. The active cooling device can be arranged on the circuit board. Preferably, one or more fans can be used which are suitable for generating a forced fluid flow, in particular an airflow, through the pin-type cooling elements with high air volume and low air pressure. Fans of this type are volume-optimised fans in this respect. A fan may have one or more of the following technical parameters: 700 rpm (rpm=rotation per minute), 60 cubic metres/h, 6.8 db and a static pressure of 0.44 rnmH20. A highly optimised "impeller" with bevelled blade tips can be used.

In accordance with one embodiment, the arrangement of lamps can be configured to output light having a colour rendering index of at least approximately 90, preferably of at least approximately 95. The colour rendering index (CRI) is a photometric variable, with which the quality of the colour rendering of light sources of identical correlated colour temperature is described. Up to a colour temperature of 5000K, the light that is output by a black emitter of the corresponding temperature is used as a reference for the assessment of the rendering quality. Above 5000K, spectral

distribution similar to daylight is referenced. The colour rendering index is not dependent on a certain colour temperature. Any light source that correctly reproduces the spectrum of a black emitter of identical (correlated) colour temperature in the visible wavelength range achieves a colour rendering index of 100. Spectral components outside visible light remain unconsidered.

In accordance with one embodiment, the arrangement of lamps is assigned a dimming device, with which the lamps can be dimmed analogously. An analogous dimming provides a possibility for continuous control. The dimming device can be at least part of the electric circuit of the lamps on the circuit board.

In accordance with a development, the arrangement of lamps is assigned a temperature measurement device, with which an operating temperature of the lamps can be measured. The temperature measurement device can be coupled to a control device, which controls the voltage supply for the lamps depending on the measured operating temperature. By way of example, the voltage can be turned down if a threshold value for the operating temperature is exceeded, for example in order to avoid damaging the lamp. The temperature measurement device and/or the control device may be part of the electric circuit on the circuit board, at least partially.

In accordance with one embodiment, housing portions that are arranged adjacently to the pin-type cooling elements may have heat dissipation openings. Heat dissipation openings can be formed for example in the housing portions laterally surrounding the arrangement of pin-type cooling elements. The heat dissipation openings assist the dissipation of heat from the heat sink device. The heat dissipation openings may be of any cross-sectional shape, for example can be formed with a triangular or hexagonal shape.

In accordance with a development, a function frame can be arranged on the housing on the front side and is configured to receive one or more function devices on the housing in a retaining manner. The function frame can be formed with laterally protruding housing portions. By way of example, the function frame has insertion elements, such that function devices can be received on the housing in a detachable (exchangeable) manner. The function devices may include a light dispersion plate or a light guide plate, for example a lens plate. Exchangeable optics may thus be arranged upstream of the lamps. The exchangeable light dispersion and/or light guide device influences the light output of the lighting device, for example in order to produce scattered light. The lens plate can be produced as a one-piece injection moulded plate from plastic. The function devices to be received on the function frame are configured for example as planar elements, which cover the entire light output region of the lighting device. With the aid of the function devices, a partial shading of the light output region can also be implemented. With the use of blue LED lights, the phosphor plate arranged in front thereof can be received on the function frame.

A bothersome effect with the use of known headlights having more than one luminaire, in particular a plurality of LED luminaires is constituted by multiple shadows, which are undesirable in particular in the case of video. The effect of the multiple shadows is reduced the greater the number of luminaires or associated optics used and the more closely these are arranged. It is optically advantageous to use a lot of luminaires, for example a lot of LED luminaires, having comparable low power rather than to use few very strong luminaires. For example, 216 LED luminaires having a maximum power of 3 W can be used. These can be operated

at only approximately 1.2 W, since the light yield per watt is then much higher and less cooling power is necessary. In order to reduce the necessary cooling, it is thus advantageous to operate the LED luminaires at their efficiency maximum instead of at their maximum possible power. If a lens plate is used, a slight overlap of the optics is advantageous in order to reduce this effect even more. The use of a single lens plate additionally reduces the costs significantly.

In accordance with a development, a fastening device for detachably fastening a soft box is formed on the housing. A light-shaping device can be formed by means of the soft box.

In one embodiment, the fastening device comprises push-buttons, which are formed peripherally on the housing, in order to fasten the soft box thereto detachably. The part of the push-button without spring is preferably arranged on the housing, whereby undesirable noises are avoided, which could otherwise be caused by the spring received loosely in the push-button when the lighting device is moved. The push-buttons can be recessed at least partly in an associated indentation on the housing. This enables the lighting device to be arranged side by side as closely as possible. Additional struts/tensioning elements can be used alternatively to or in combination with the push-buttons in order to fasten the soft box to the headlight. End portions of the struts or of the tensioning elements, which protrude beyond the side wall material, in particular in an edge region of the soft box that is proximal relative to the lighting device, can engage here with associated fastening recesses, for example slits (U-profiles) on the lighting device. These protrude beyond the soft box, such that the ends of the elements can engage with a profile. The soft box, alternatively or additionally to push-buttons, may have other fastening mechanisms, for example a U-profile and/or an L-profile, which can then engage with the profile of the headlight or a speed ring. The profile may extend along the proximal edge region of the soft box. A magnetic mechanism with magnets can also be used in addition or alternatively to the fastening of the soft box.

The soft box is produced for example with side walls made of flexible material, for example made of a textile, which, on the front side of the lighting device, then surround a physical light output region on one or more sides, such that a light former is formed.

In order to brace the side walls of the soft box, flexibly bendable rod elements can be provided, which are introduced into associated receiving pockets. The receiving pockets can be formed along the extension of the respective tensioning element continuously or in an interrupted manner on the and/or in the (multi-layered) material of the side walls, for example by means of one or more seams. The receiving pockets may have tube portions and/or portions extending in a planar manner above the associated side wall. Here, portions of the rod elements proximal to the housing may be arranged in associated seats, for example slots and/or other indentations, on the housing and/or the function frame, in particular curved portions of the rod elements. A soft box formed in this way can be used not only with the lighting device described here, but also with lighting devices of other type and constitutes a soft box that can be used in a versatile manner and also provides high usability. The rod elements form a possible embodiment of tensioning elements that are received in associated receiving pockets in the side portions of the soft box made of flexible material in order to brace said soft box. The tensioning elements preferably provide a tensioning force in the area of the side walls. For example, four or eight side portions can be formed. The soft box can be foldable, together with the tensioning elements. These can then remain in the soft box, even after removal thereof.

The tensioning elements can be curved at least in the use position at the side wall portions. A curved portion of the tensioning elements, in particular a portion with an apex of the curvature, can be arranged distally or proximally in relation to the lighting device. A spring tension can be provided by means of the curvature. One or more tensioning elements can be provided per side wall portion. The tensioning elements can be arranged on the inner side of the side wall portions, that is to say on the side facing the light emission of the lighting device.

In the front region, the softbox may have adhesion means on the inner sides, for example one or more hook-and-loop elements, which are suitable for detachably fastening diffusion materials, such as textiles having different light transmission degrees.

Irrespective of the lighting device, the soft box may form an independent article in one of the aforementioned embodiments, specifically a selectively foldable light-shaping device for mounting, in particular detachable mounting, on a lighting device, for example a headlight, which in particular is suitable for shooting photos and/or recording video.

In one embodiment, a quick release closure device may be formed on the housing. The quick release closure device enables a versatile and time-saving fastening of the lighting device to any holding device, for example a post. The quick release closure device may be fastened detachably on the housing. In one embodiment, a locking device is provided, which secures the quick release closure device in a mounted position on the housing and thus locks against unintended detachment. By way of example, in the case of the locking device, a pin element engages with an associated opening, wherein the locking element is biased against a removal from the opening. In one embodiment, the quick release closure device is formed with a spherical-head coupling in order to mount the lighting device on a spherical head. The spherical-head coupling may have a detachable tensioning device in order to fasten the quick release closure device on the spherical head and detach it therefrom. The spherical head to which the spherical-head coupling couples may consist of a metal material, for example aluminium, which is selectively anodised. The surface of the spherical head is roughened at least in portions, and for example is configured as a sand-blasted surface. The spherical-head coupling, which cooperates with the spherical head, may have plastic shells in one embodiment, which are formed on the inner side with spherical shells, which clamp the spherical head when the quick release closure is tensioned. The cooperation of the metal sphere, which is roughened at the surface, and the plastic shells ensures an efficient friction fit and thus secures the relative position of spherical-head coupling and spherical head.

The quick release closure device may form an independent article in one of the explained embodiments, in particular a quick release closure device for a lighting device, for example a headlight, which is suitable in particular for shooting photos and/or recording video.

Combined with the lighting device or independently hereof, a stand element can be provided, in particular for a luminaire or headlight stand, with which a number of spherical heads are arranged fixedly or detachably on a main body extending in the longitudinal direction, and with which a mounting element for coupling to a stand or a stand system is arranged on the main body. With the aid of the stand element, a number of objects, in particular a number of lighting devices, can thus be detachably fastened simultaneously on the stand element by means of quick release closure device. In another embodiment, a plurality of quick

release closure devices are arranged on the main body along the longitudinal extension, in each of which devices a spherical head can then be arranged and clamped, which is in turn received on the object to be mounted, for example a lighting device.

#### BRIEF DESCRIPTION

Preferred embodiments will be explained hereinafter with reference to figures of a drawing, in which:

FIG. 1 shows a perspective illustration of a lighting device from the front,

FIG. 2 shows a perspective illustration of the lighting device from FIG. 1 from behind,

FIG. 3 shows a further perspective illustration of the lighting device from FIG. 1 from behind,

FIG. 4A to 4E show schematic illustrations of a quick release closure device, which is mounted on a spherical head

FIG. 5 shows a perspective illustration of a soft box from the front,

FIG. 6 shows a further perspective illustration of the soft box from FIG. 5,

FIG. 7 shows a schematic illustration of a stand element having two spherical-head elements, and

FIG. 8 shows a schematic illustration of a portion of a stand element with a base plate for mounting of a quick release closure device.

#### DETAILED DESCRIPTION

FIG. 1 shows a perspective illustration of a lighting device 1 from the front at an angle. The shown lighting device 1 is configured as a headlight for shooting photos or recording video. A plate device or arrangement 3 is received in a housing 2. A plurality of lamps 5 are fitted on a circuit board 4 arranged in the plate device 3, wherein, in the shown example, a regular arrangement is formed. The lamps 5 are LED luminaires (LED=light-emitting diode) in the shown embodiment.

The housing 2 is produced with side walls 6, in which heat dissipation openings 7 are formed. The housing 2 is made of aluminium for example, which is weight-optimising.

On the front side, a function frame 8 is formed on the housing 2 and has two mutually opposed frame parts 8a, 8b, which have guides 9 on the inner side, which are used to receive function devices (not illustrated), for example a lens plate and/or a dispersion plate.

A circuit arrangement is provided on the circuit board 4 and provides the electric circuit for the lamps 5.

FIGS. 2 and 3 show perspective illustrations of the lighting device 1 from behind at an angle. A heat sink device 10 with a base plate 11 and also an arrangement of pin-type body elements 12 is formed, which is used to dissipate the heat produced during operation of the lamps 5. The arrangement of pin-type body elements 12 is delimited laterally by the side walls 6. In the shown embodiment the pin-type body elements 12 are arranged on the rear side of the base plate 11 in accordance with a regular arrangement. The pin-type body elements 12 can be fastened to the base plate 11 with the aid of different connection techniques, including welding, soldering, press-fitting and/or adhesive bonding.

In the shown embodiment the base plate 11 is formed with the aid of the circuit board 4 as part of the plate device 3. At the same time, the plate device 3 together with the circuit board 4 serves as a rear wall of the housing 2.

As can best be seen from FIG. 2, a seat 13 is integrated into the arrangement of cooling pin-type elements 12 so as

to detachably mount a quick release closure device 14 in said seat, said quick release closure device being shown in FIGS. 4a to 4e.

According to FIG. 2 connection devices 14 are provided, for example in order to connect an energy supply and/or data or control line connections.

FIG. 4A to 4E show various illustrations of a quick release closure device 15 with a main plate 16, on which a quick release closure 17 is arranged, which, in the shown embodiment, is mounted on a spherical head 18. The quick release closure 17 has a tensioning device 19 in order to open and to close the quick release closure 17. A locking device 20 is provided on the main plate 16 and locks the quick release closure device 15 against an unintended release when the main plate 16 is mounted in the region of the seat 13. To this end, a biased pin engages with an associated seat.

FIGS. 5 and 6 each show a perspective illustration of a soft box 30, which has fastening means 32 in the region of side walls 31, which fastening means are used for push-button fastening to associated fastening means 33 on the housing 2 (see FIG. 1 to 3). Tensioning elements 34 are provided in the side walls 32 and are formed with the aid of flexible rods, which are in turn received in associated receiving pockets or tabs on the side walls 31 made of flexible material, for example a textile material. Curved portions 36 of the tensioning elements 34 are arranged in a proximal region. Alternatively, the curved portions 36 can also be arranged in the distal region of the side walls 31 (not illustrated). In particular with such an embodiment, end portions of the tensioning elements 34 can protrude beyond the lighting device and can engage with associated recesses on the lighting device when the soft box 30 is fastened.

In the embodiment shown by way of example, four side walls 31 are provided with the associated tensioning elements 34. In other embodiments, a greater number of side walls may also be provided, for example eight partial side walls, which are formed on the soft box around the opening and which are each assigned a tensioning element in a comparable manner. With a square opening of the soft box, two partial side walls can thus be arranged on each of all four sides.

It is clear from FIG. 1 that the function frame 8 has slits 35, with which the curved portions 36 of the tensioning elements 34 engage when the soft box 30 is fitted on the housing 2.

FIGS. 7 and 8 show schematic illustrations of a stand element 40 having a base body 41, on which two spherical-head elements 42, 43 are detachably mounted. Furthermore, a mounting element 44 is arranged on the base body 41, by means of which mounting element the stand element 40 can be mounted on a stand system, for example by being plugged on. The spherical-head elements 42, 43 can be used to detachably mount objects thereon, for example lighting devices, by means of the above-described quick release closure device. Additional apertures 45 are formed in the main body 41 and can also be used to receive the spherical-head elements 42, 43, such that these can be mounted along the base body 41 in various positions.

FIG. 8 shows an embodiment of the stand element 40, in which, in contrast to the illustration in FIG. 5, a mounting base or plate 46 is arranged on the base body 41 and can be used to mount a cutting closure device (see FIGS. 4A to 4E). The stand elements 40 shown in FIGS. 7 and 8 make it possible to mourn a plurality of objects, in particular lighting devices, on a stand system. The spherical-head connection supports a flexible adjustability of the physical orientation of the detachably mounted objects.

The features of the invention disclosed in the above description, the drawing and the claims can be of significance both individually and in any combination for the implementation of the invention in the various embodiments thereof.

The invention claimed is:

1. A device comprising:

a plurality of side walls made of a flexible material, each side wall of the plurality of side walls having a proximal edge and a distal edge opposite to the proximal edge, the plurality of side walls arranged to define an interior space between the plurality of side walls, each side wall being connected to two other side walls of the plurality of side walls at side edges that extend between the proximal and distal edges of the connected side walls;

a plurality of flexible rods, each flexible rod of the plurality of flexible rods being disposed along one side wall of the plurality of side walls and between the side edges of the one side wall, each flexible rod having a first end and a second end that are arranged closer to a distal end of one wall of the plurality of side walls, and a curved middle portion arranged closer to the proximal edge of the same wall of the plurality of side walls;

wherein the device is configured to be fastened to a lamp at the proximal edges of the side walls so that light emitted by the lamp illuminates the interior space between the plurality of side walls.

2. The device of claim 1, wherein each side wall of the plurality of side walls comprises a first pocket disposed at

the distal edge of the side wall and a second pocket disposed at the distal edge of the side wall.

3. The device of claim 2, wherein the first end of each flexible rod of the plurality of flexible rods is disposed in a first pocket of a side wall of the plurality of side walls along which the each flexible rod is disposed, and the second end of each flexible rod is disposed in a corresponding second pocket of the side wall of the plurality of side walls.

4. The device of claim 2, wherein each flexible rod of the plurality of flexible rods is held in a tensioned, curved configuration by a first pocket and a second pocket of a side wall of the plurality of side walls.

5. The device of claim 2, wherein each pocket is made of the same material as the corresponding side wall.

6. The device of claim 1, wherein the device comprises at least four side walls.

7. The device of claim 1, wherein the interior space has a generally rectangular cross section.

8. The device of claim 1, wherein each of the plurality of side walls is made of a textile material.

9. The device of claim 1, further comprising a lamp mounted to the proximal ends of the plurality of side walls.

10. The device of claim 1, wherein the device includes the same number of flexible rods as side walls.

11. The device of claim 1, wherein the proximal end of the interior space defined between the plurality of side walls has essentially the same dimensions as the distal end of the interior space.

\* \* \* \* \*