

(12) **United States Patent**  
**Farnik et al.**

(10) **Patent No.:** **US 10,670,246 B2**  
(45) **Date of Patent:** **Jun. 2, 2020**

(54) **FOLLOW SPOT CONTROL SYSTEM**

(56) **References Cited**

(71) Applicant: **Robe Lighting s.r.o.**, Roznov pod Radhostem (CZ)

U.S. PATENT DOCUMENTS

(72) Inventors: **Martin Farnik**, Roznov pod Radhostem (CZ); **Pavel Jurik**, Prostredni Becva (CZ); **Josef Valchar**, Prostredni Becva (CZ); **Jindrich Vavrik**, Zubri (CZ); **Jiri Zatopek**, Valasske Mezirici (CZ)

4,527,198 A 7/1985 Callahan  
4,947,302 A 8/1990 Callahan  
(Continued)

FOREIGN PATENT DOCUMENTS

(73) Assignee: **Robe Lighting s.r.o.**, Roznov pod Radhostem (CZ)

CN 202353867 U 7/2012  
CN 203086829 U 7/2013  
(Continued)

(\* ) Notice: Subject to any disclaimer, the term of this patent is extended or adjusted under 35 U.S.C. 154(b) by 0 days.

OTHER PUBLICATIONS

Farnik, Martin, et al.; U.S. Appl. No. 15/944,498; Filing Date: Apr. 3, 2018; Title: Follow Spot Control System; 31 pages.  
(Continued)

(21) Appl. No.: **15/944,487**

(22) Filed: **Apr. 3, 2018**

*Primary Examiner* — Wei (Victor) Y Chan

(65) **Prior Publication Data**

US 2018/0224099 A1 Aug. 9, 2018

(74) *Attorney, Agent, or Firm* — Conley Rose, P.C.; Grant Rodolph; Brooks W Taylor

**Related U.S. Application Data**

(60) Provisional application No. 62/480,967, filed on Apr. 3, 2017.

(57) **ABSTRACT**

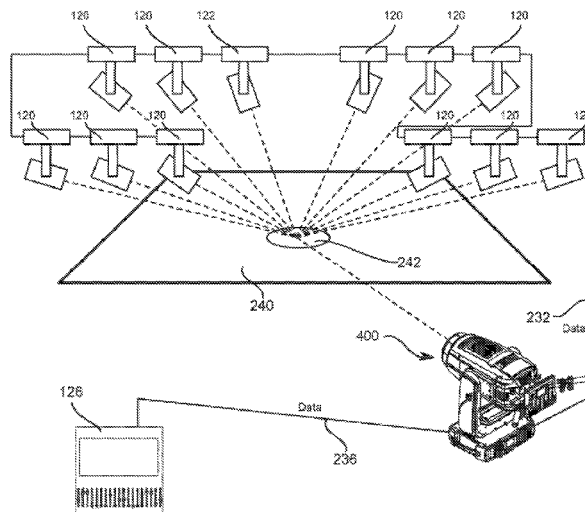
(51) **Int. Cl.**  
**F21V 21/15** (2006.01)  
**F21S 8/00** (2006.01)  
(Continued)

A follow spot controller is provided that communicates with a lighting control desk and with a first automated luminaire. A physical orientation of the follow spot controller is sensed and used to replace pan and tilt control parameters received from the lighting control desk for the first luminaire. The modified control parameters are sent to the first luminaire. A three-dimensional model of a performance area and the locations and orientations of the first luminaire and additional automated luminaires relative to the performance area may be used to calculate individual pan and tilt parameters for the additional luminaires based on the first luminaire's replacement pan and tilt parameters.

(52) **U.S. Cl.**  
CPC ..... **F21V 21/15** (2013.01); **F21S 8/003** (2013.01); **F21V 14/02** (2013.01); **H05B 47/155** (2020.01); **F21W 2131/406** (2013.01)

(58) **Field of Classification Search**  
CPC ..... H05B 37/029; H05B 33/0863; H05B 37/0245; H05B 37/02; H05B 37/0227;  
(Continued)

**16 Claims, 9 Drawing Sheets**



- (51) **Int. Cl.**  
**F21V 14/02** (2006.01)  
**H05B 47/155** (2020.01)  
**F21W 131/406** (2006.01)

2017/0138730 A1\* 5/2017 Ohtomo ..... G01C 3/08  
 2018/0051869 A1\* 2/2018 Belliveau ..... F21V 21/15  
 2018/0160507 A1 6/2018 Feeney  
 2019/0029088 A1\* 1/2019 Clout ..... H05B 33/0863

- (58) **Field of Classification Search**  
 CPC ..... F21Y 2115/10; F21Y 2107/50; F21Y  
 2113/17; F21S 10/026; F21V 14/02;  
 F21V 1/00; F21V 23/0435; F21V 29/74;  
 F21V 21/15  
 USPC ..... 315/292, 131, 291, 297, 307, 308, 312  
 See application file for complete search history.

FOREIGN PATENT DOCUMENTS

GB 2535909 A 8/2016  
 WO 2008104927 A2 9/2008  
 WO 2017008023 A1 1/2017

OTHER PUBLICATIONS

- (56) **References Cited**

U.S. PATENT DOCUMENTS

5,023,709 A 6/1991 Kita et al.  
 6,079,862 A 6/2000 Kawashima et al.  
 6,331,756 B1\* 12/2001 Belliveau ..... H04N 9/3141  
 315/316  
 7,354,304 B2\* 4/2008 Livingston ..... A45F 5/00  
 439/501  
 9,526,156 B2 12/2016 LaDuke et al.  
 9,593,830 B2 3/2017 Conti et al.  
 2009/0144646 A1 6/2009 Reese  
 2009/0146982 A1\* 6/2009 Thielman ..... H04N 7/15  
 345/207  
 2010/0181938 A1\* 7/2010 Boleko Ribas .... H05B 37/0245  
 315/312  
 2011/0285854 A1 11/2011 LaDuke et al.  
 2012/0126722 A1\* 5/2012 Archdale ..... H05B 37/029  
 315/312  
 2013/0128054 A1\* 5/2013 Densham ..... H04N 5/23296  
 348/169  
 2013/0155672 A1\* 6/2013 Vo ..... F21S 8/00  
 362/233  
 2014/0343699 A1\* 11/2014 Engelen ..... H05B 33/0845  
 700/90  
 2015/0003084 A1\* 1/2015 Eichel ..... F21V 21/14  
 362/419  
 2015/0016106 A1\* 1/2015 Belliveau ..... F21V 14/02  
 362/233  
 2015/0048233 A1\* 2/2015 Dumas ..... F16M 11/32  
 248/550  
 2015/0084514 A1\* 3/2015 Anthony ..... H05B 33/0863  
 315/131  
 2015/0091446 A1 4/2015 Ohta et al.  
 2015/0345762 A1\* 12/2015 Creasman ..... F21S 8/038  
 362/428  
 2016/0112652 A1\* 4/2016 David ..... H04N 1/3877  
 348/239  
 2016/0178991 A1\* 6/2016 Wan ..... G03B 15/05  
 348/169  
 2017/0009969 A1 1/2017 Conti et al.  
 2017/0045211 A1 2/2017 Conti et al.  
 2017/0068237 A1\* 3/2017 Yamaguchi ..... G05B 19/0426

Office Action dated Jun. 28, 2018; U.S. Appl. No. 15/944,498, filed Apr. 3, 2018; 6 pages.  
 Office Action dated Aug. 7, 2018; U.S. Appl. No. 16/004,223, filed Jun. 8, 2018; 26 pages.  
 Farnik, Martin, et al.; U.S. Appl. No. 16/188,475, filed Nov. 13, 2018; Title Follow Spot Control System; 50 pages.  
 Office Action dated Sep. 20, 2018; U.S. Appl. No. 15/944,498, filed Apr. 3, 2018; 20 pages.  
 Office Action dated Jan. 22, 2019; U.S. Appl. No. 15/944,498, filed Apr. 3, 2018; 23 pages.  
 Office Action dated Jan. 22, 2019; U.S. Appl. No. 16/004,223, filed Jun. 8, 2018; 39 pages.  
 Office Action dated Jan. 22, 2019; U.S. Appl. No. 16/188,475, filed Nov. 13, 2018; 31 pages.  
 European Examination Report; Application No. 18165531.7; dated Mar. 5, 2019; 4 pages.  
 Office Action dated Aug. 19, 2019; U.S. Appl. No. 16/004,223, filed Jun. 8, 2018; 40 pages.  
 Final Office Action dated May 2, 2019; U.S. Appl. No. 15/944,498, filed Apr. 3, 2018; 21 pages.  
 Advisory Action dated Jun. 27, 2019; U.S. Appl. No. 15/944,498, filed Apr. 3, 2018; 6 pages.  
 Final Office Action dated May 2, 2019; U.S. Appl. No. 16/004,223, filed Jun. 8, 2018; 38 pages.  
 Advisory Action dated Jul. 3, 2019; U.S. Appl. No. 16/004,223, filed Jun. 8, 2018; 3 pages.  
 Final Office Action dated May 2, 2019; U.S. Appl. No. 16/188,475, filed Nov. 13, 2018; 33 pages.  
 Advisory Action dated Jul. 3, 2019; U.S. Appl. No. 16/188,475, filed Nov. 13, 2018; 3 pages.  
 Chinese Office Action; Application No. 201810292105.7; dated Jun. 25, 2019; 16 pages.  
 Final Office Action dated Jan. 9, 2020; U.S. Appl. No. 16/004,223, filed Jun. 8, 2018; 41 pages.  
 Notice of Allowance dated Jan. 30, 2020; U.S. Appl. No. 16/004,223, filed Jun. 8, 2018; 17 pages.  
 Extended European search Report; Application No. 19179007.0; dated Dec. 5, 2019; 10 pages.  
 Chinese Office Action; Application No. 201810292105.7; dated Mar. 31, 2020; 4 pages.

\* cited by examiner

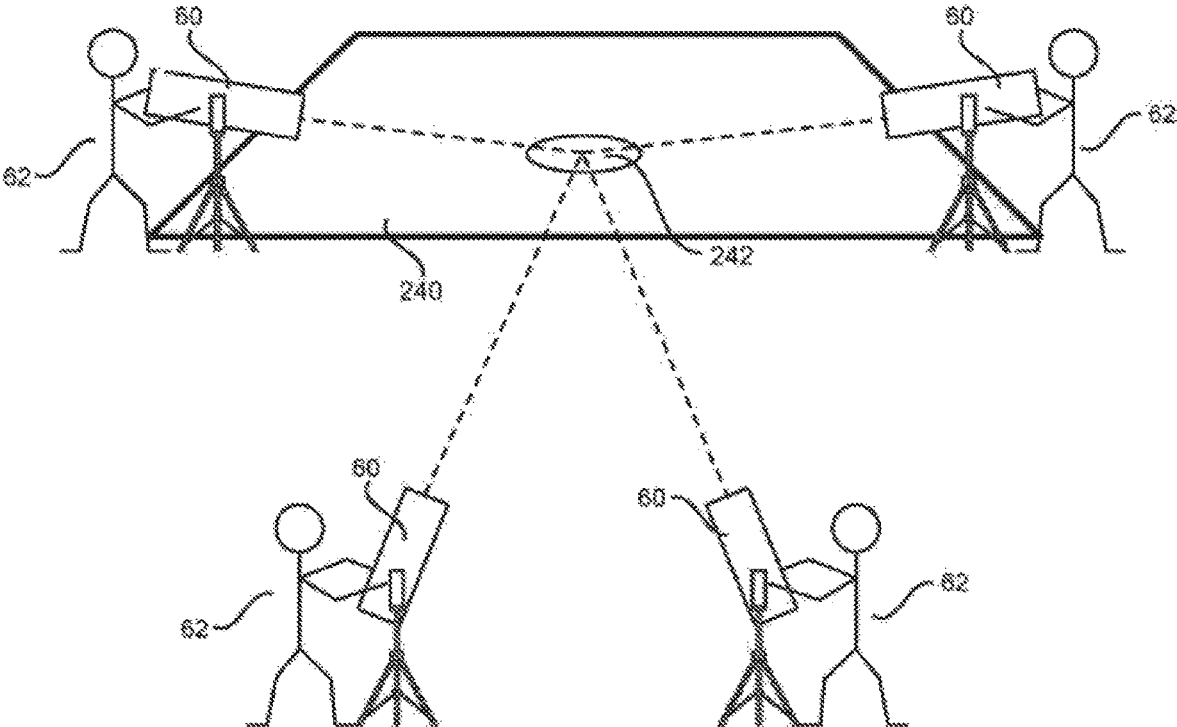


Figure 1

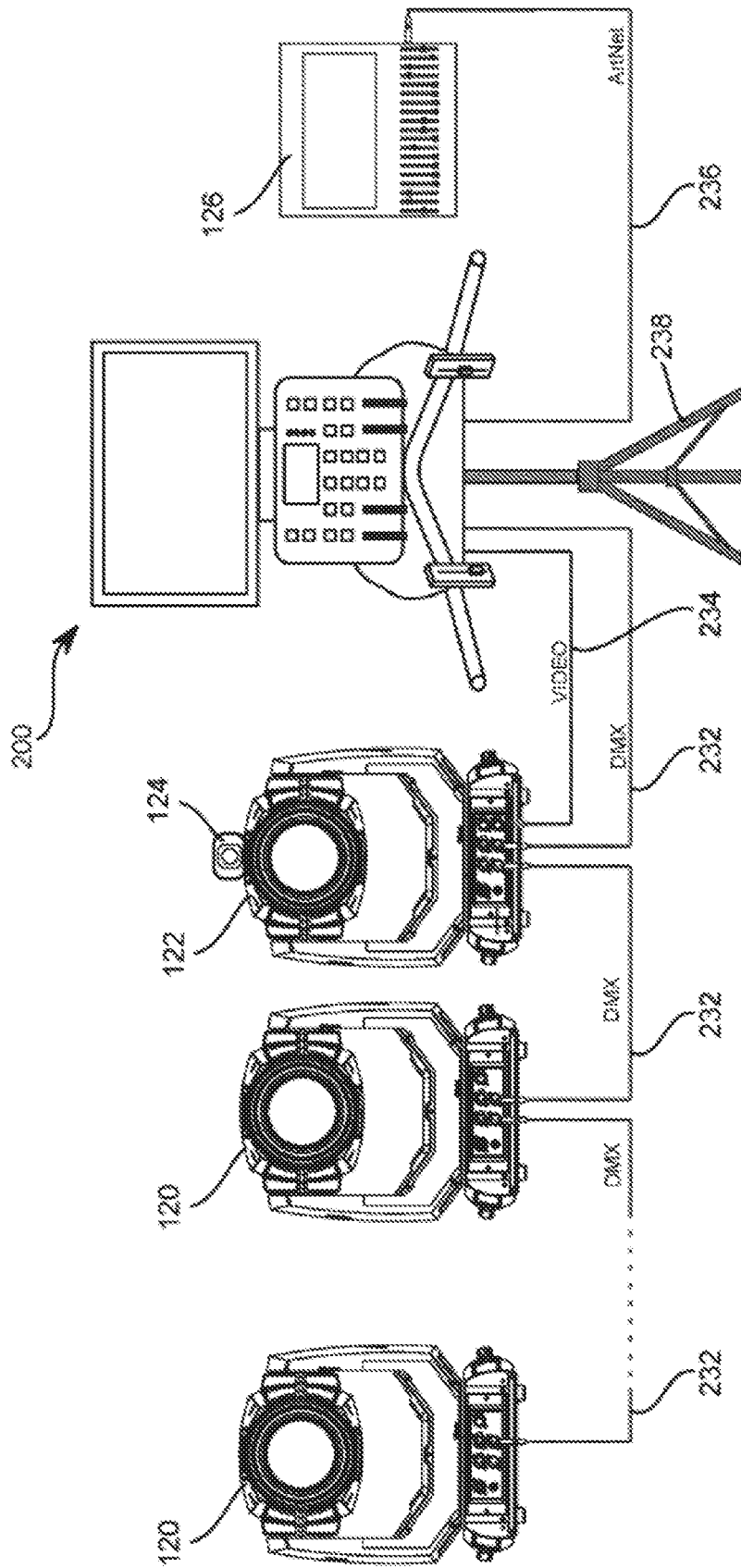


Figure 2

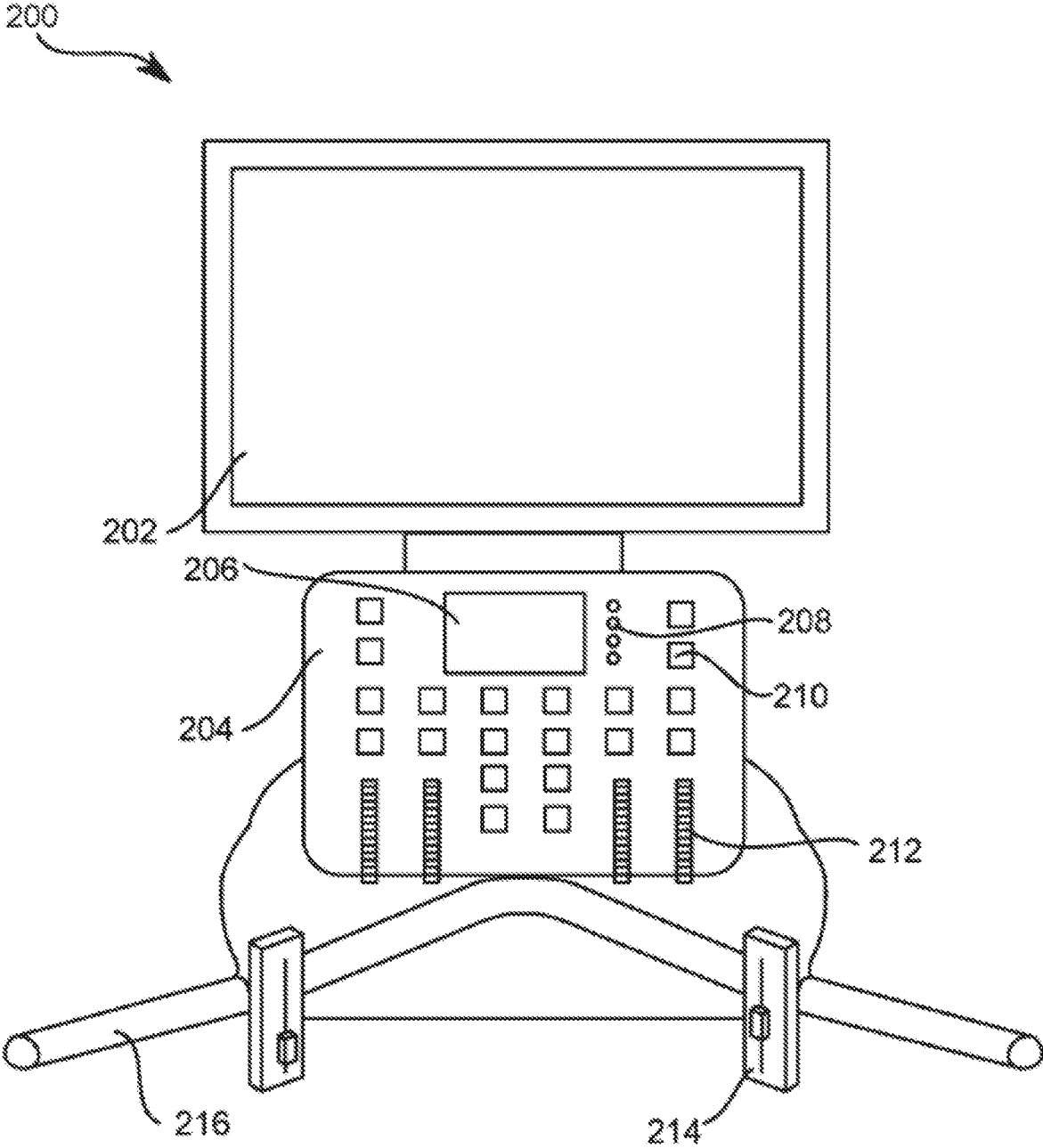


Figure 3

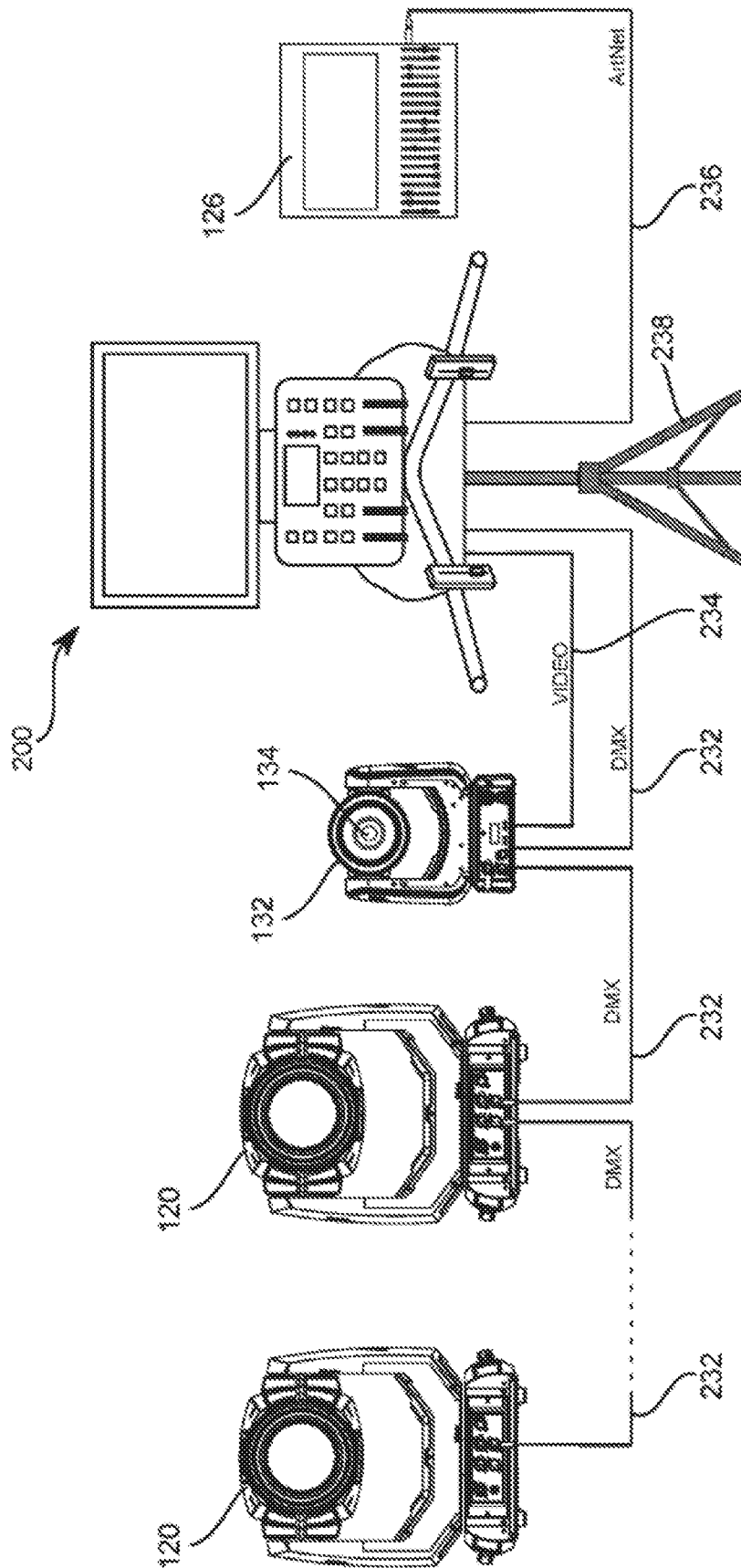


Figure 4

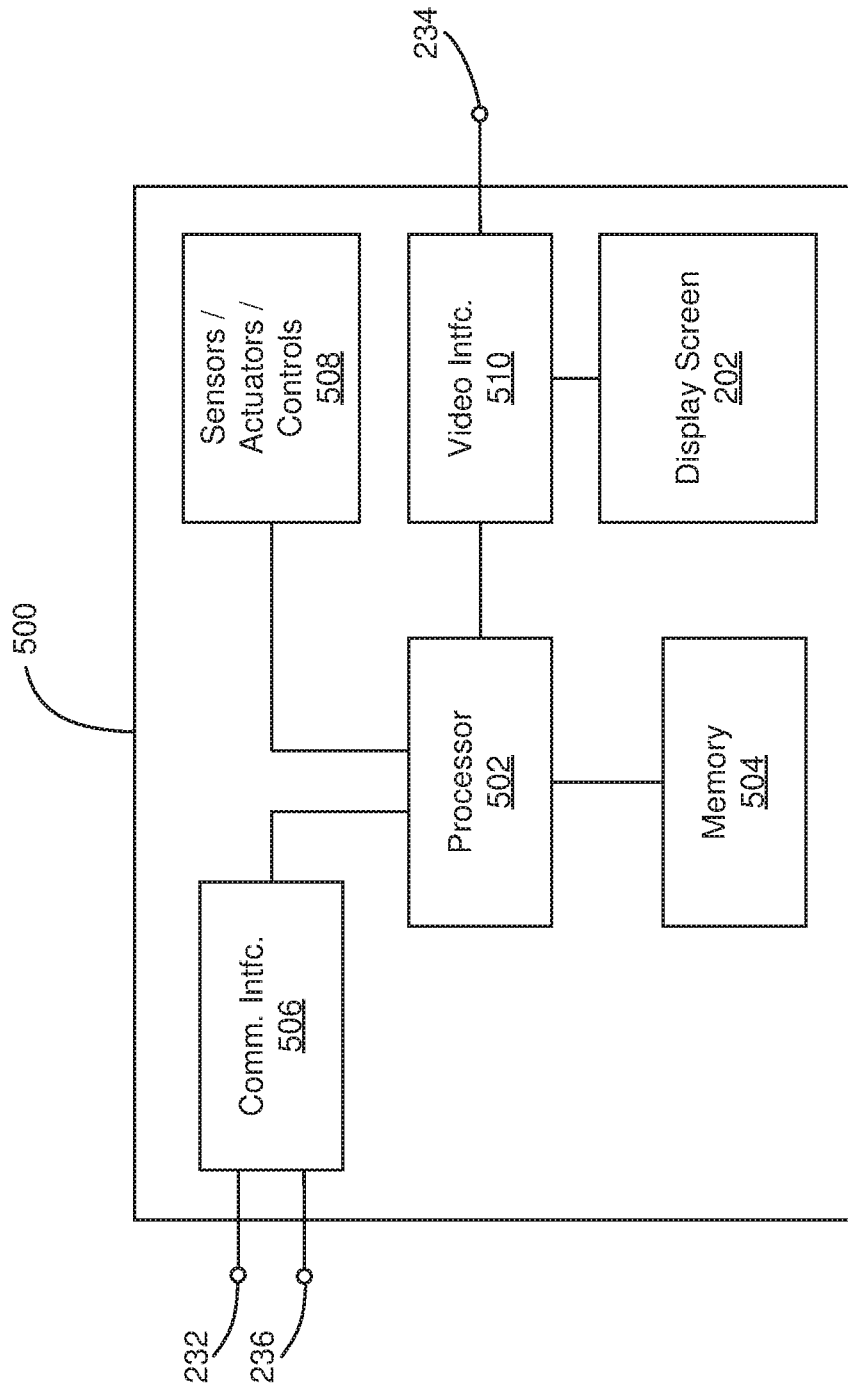


Figure 5

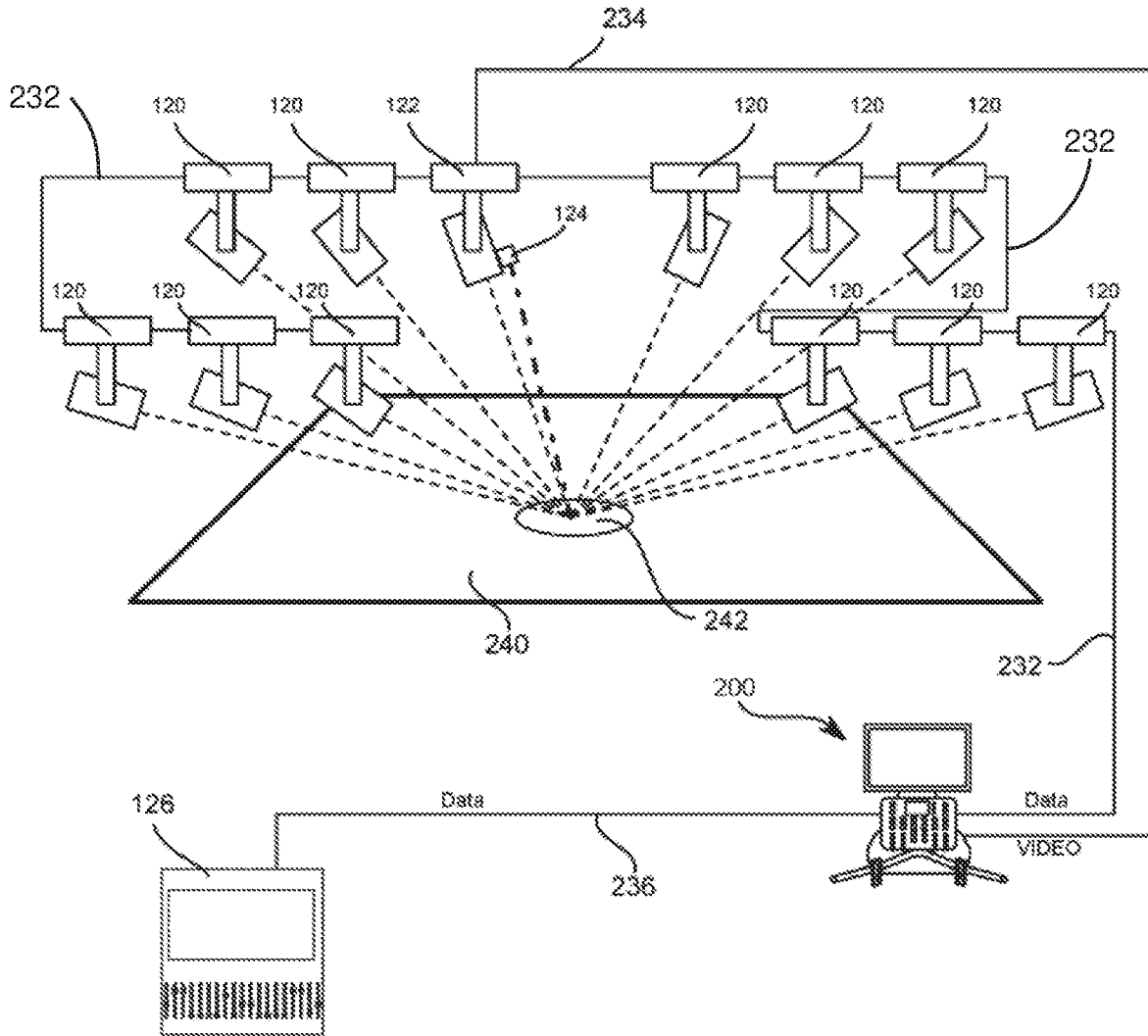


Figure 6



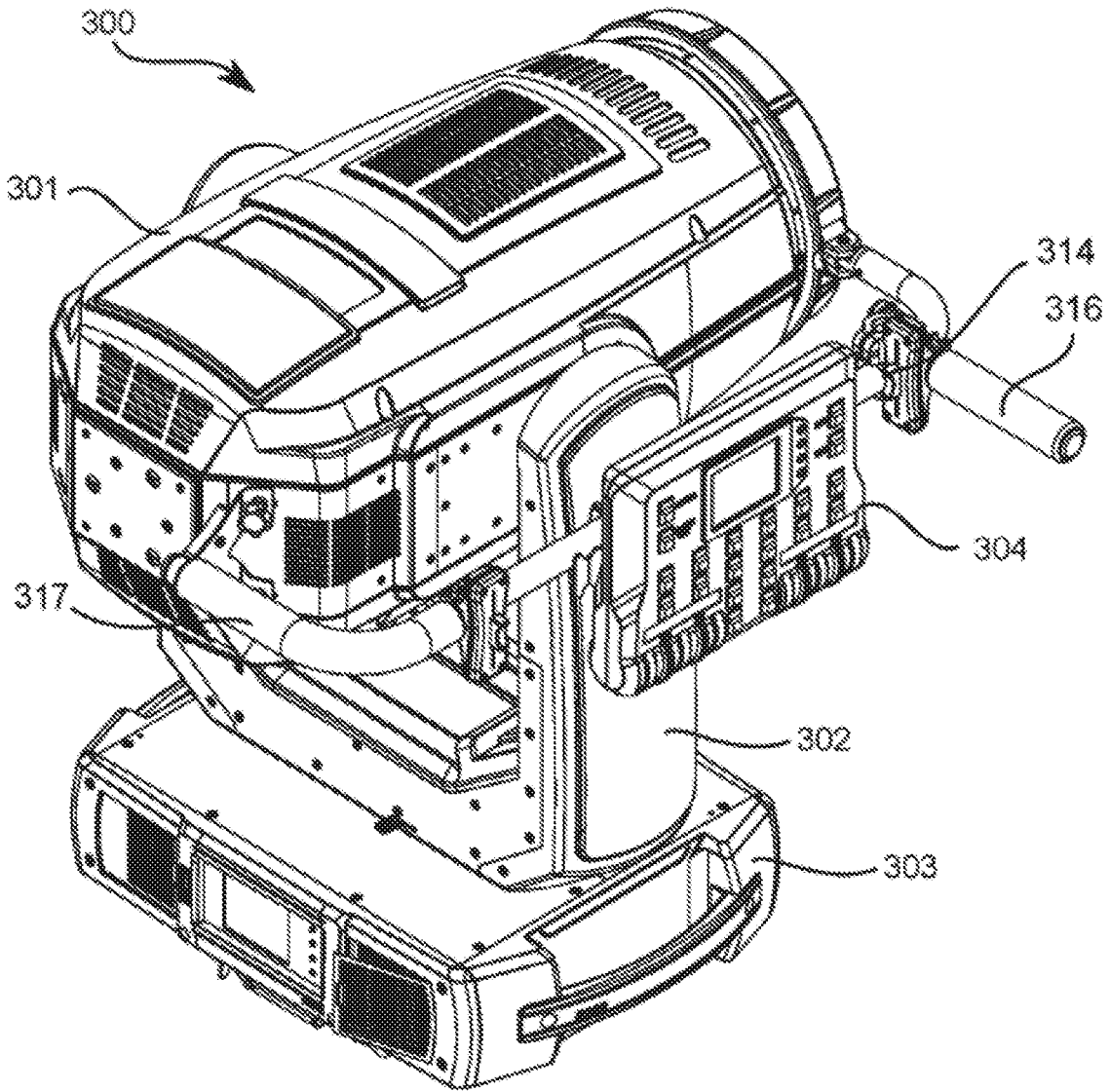


Figure 7

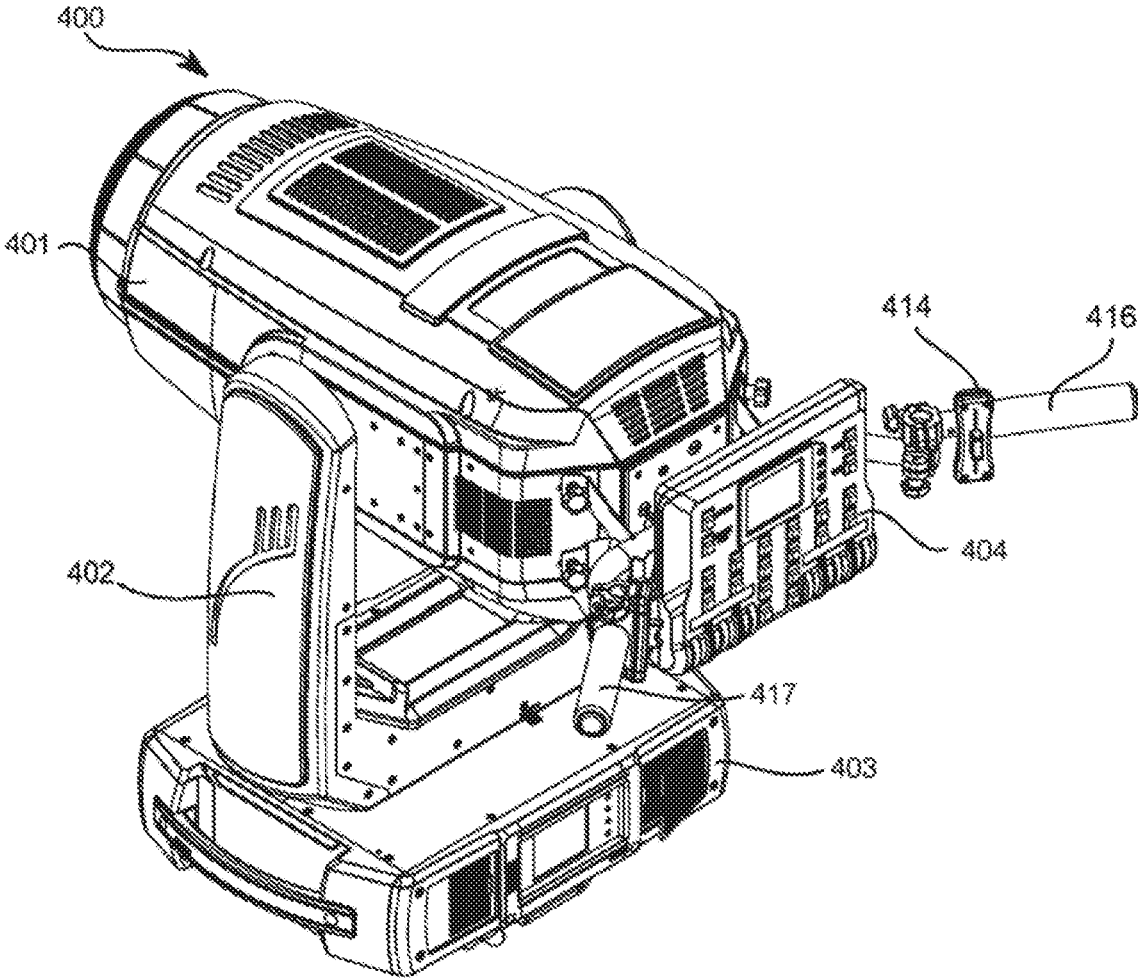


Figure 8

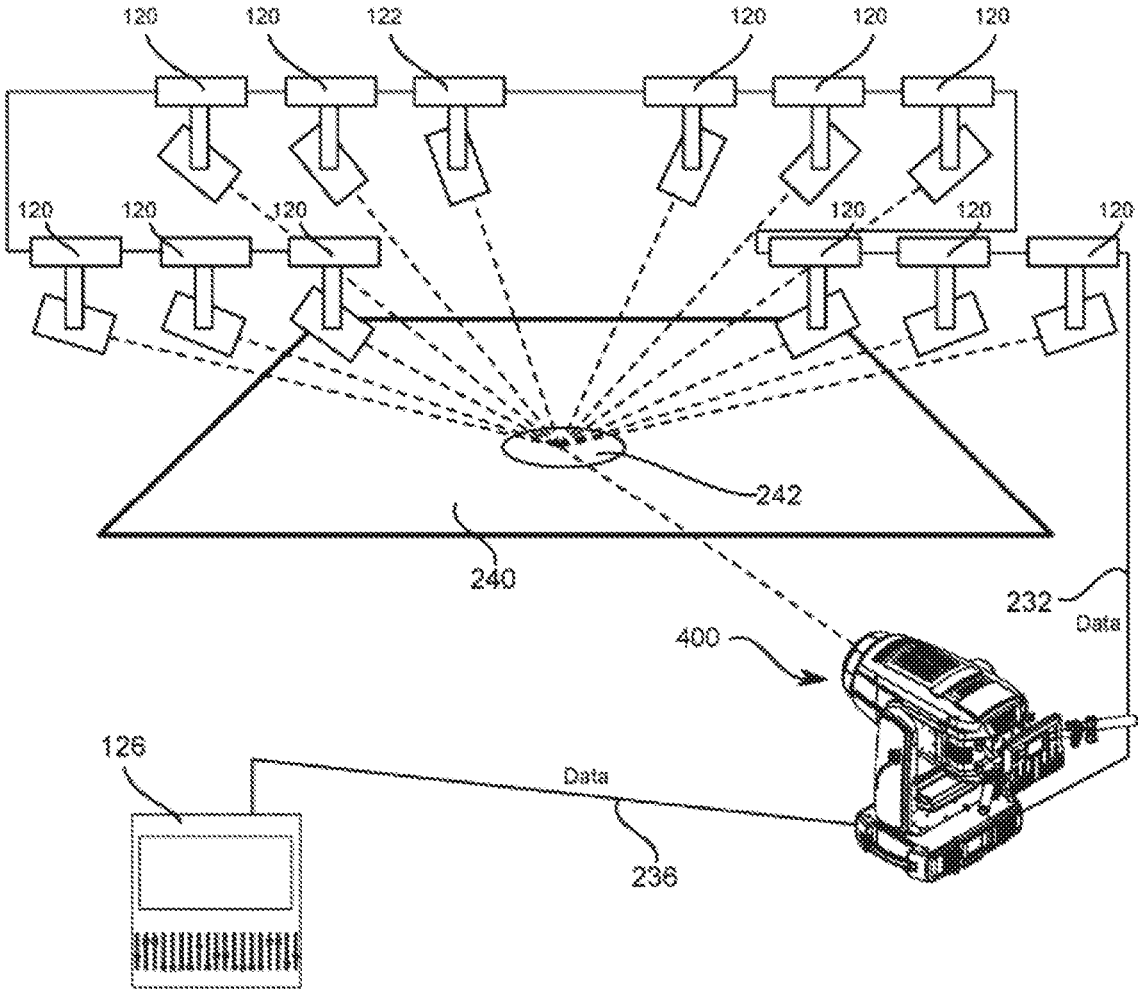


Figure 9

**FOLLOW SPOT CONTROL SYSTEM****CROSS-REFERENCE TO RELATED APPLICATIONS**

This application claims priority to U.S. Provisional Application No. 62/480,967 filed Apr. 3, 2017, by Pavel Jurik, et al., entitled, "An Improved Follow Spot System", which is incorporated by reference herein as if reproduced in its entirety.

**TECHNICAL FIELD**

The disclosure generally relates to a method for providing a follow spot system, specifically to methods for integrating control of a follow spot with control of a lighting rig and to adding automation to such a system.

**BACKGROUND**

Follow spots are a well-known part of many entertainment productions and are commonly used in theatres, television studios, concerts, theme parks, night clubs and other venues. Some follow spots are manually controlled luminaires where the operator has control over the direction the luminaire is pointing, typically to illuminate a performer, and to the color, size and other optical parameters of the luminaire. A production may include many follow spots, each with its own operator, as shown in FIG. 1. In this depiction, four follow spots **60**, each with attendant operator **62**, are directed towards a target point **242** on a performance area **240**. A performer may be situated at the target point **242** and, as that performer moves around the performance area **240**, the operators **62** will move their respective follow spots **60** to keep the performer illuminated.

In such systems, the skill of the operators **62** may not be similar, e.g., some operators may be slow to follow the performer or inaccurate in their use of the follow spot. Attempting to synchronize color or intensity changes between the multiple operators may be difficult and/or inaccurate. Additionally, a lighting designer may wish to situate the follow spots in locations where it would be difficult or unsafe to place an operator. For example, above the stage or in areas where there is insufficient height or space for an operator. Even if it is possible to safely situate the operator, he may be uncomfortable and forced to remain in a cramped position for the duration of the event.

**SUMMARY**

In one embodiment, a follow spot controller includes a memory, a processor, and a communication interface. The communication interface includes a first communication link that communicates with a lighting control desk and a second communication link that communicates unidirectionally with an automated luminaire. The processor senses a physical orientation of the follow spot controller. The processor also receives control parameters sent to the automated luminaire from the lighting control desk, creates modified control parameters by replacing pan and tilt parameters in the received control parameters with pan and tilt parameters based on the physical orientation of the follow spot controller, and sends the modified control parameters to the automated luminaire.

In another embodiment, a follow spot control system includes a memory and a processor. The processor senses a physical orientation of the follow spot controller and sends

operator pan and tilt parameters to a first automated luminaire based on the physical orientation of the follow spot controller. The processor also sends individual calculated pan and tilt parameters to other automated luminaires based on (i) the pan and tilt parameters of the first automated luminaire and (ii) a three-dimensional model of a surface of a performance area and locations and mounting orientations of the other automated luminaires relative to the performance area.

In yet another embodiment, a method of controlling a plurality of follow spots includes creating a three-dimensional model that includes one or more surfaces of a performance area; locations and mounting orientations for automated luminaires, relative to the performance area; and location and mounting orientation for a camera, relative to the performance area. The method also includes calculating a vector that represents the center of a light beam that is projected by a first automated luminaire, based on its location and mounting orientation, and calculating a target point on a surface of the performance area based on the vector. The method further includes calculating individual pan and tilt parameters for each of the other automated luminaires based on the luminaire target point, and sending the individual pan and tilt parameters to the other automated luminaires.

**BRIEF DESCRIPTION OF THE DRAWINGS**

For a more complete understanding of this disclosure, reference is now made to the following brief description, taken in conjunction with the accompanying drawings in which like reference numerals indicate like features.

FIG. 1 illustrates a prior art follow spot system;

FIG. 2 illustrates the main components of an embodiment of a remotely controlled follow spot system;

FIG. 3 illustrates an embodiment of the follow spot controller illustrated in FIG. 2;

FIG. 4 illustrates the main components of a further embodiment of a remotely controlled follow spot system;

FIG. 5 presents a block diagram of a control system for a follow spot controller according to the disclosure;

FIG. 6 illustrates a schematic of an embodiment of a complete remotely controlled follow spot system as it might be installed for a production;

FIG. 7 illustrates an embodiment of an automated luminaire modified to be used as a follow spot or a follow spot controller;

FIG. 8 illustrates a further embodiment of an automated luminaire modified to be used as a follow spot or a follow spot controller; and

FIG. 9 illustrates a schematic of a further embodiment of a complete remotely controlled follow spot system as it might be installed for a production.

**DETAILED DESCRIPTION**

Preferred embodiments of the disclosure are illustrated in the figures, like numerals being used to refer to like and corresponding parts of the various drawings.

The disclosure generally relates to a method for providing remote control of a follow spot system. A physical orientation of a follow spot controller is sensed and used to control one or more automated luminaires. A three-dimensional model may be used to translate operator control of a first automated luminaire into pan and tilt control of other automated luminaires.

In recent years, it has become common to use automated luminaires on entertainment productions. These are luminaires where the pan and tilt position of the luminaire light beam can be remotely controlled from a lighting desk by an operator. Many products also provide control over other parameters such as the focus, beam size, beam shape and beam pattern. Attempts have been made in the past to combine these two technologies such that the effect of a follow spot can be achieved by using a remotely controlled automated light. However, such attempts have often failed or been less than satisfactory because of the slow response time of the system or the difficulty an operator had in accurately aiming a luminaire at a small spot on a stage and moving the light around in a manner which appears natural and organic, rather than mechanical and robotic. Jerky robotic movement is annoying to the audience, distracts them from the performer, and reduces their enjoyment of the performance.

FIG. 2 illustrates a first embodiment of a remotely controlled follow spot system according to the disclosure. Automated luminaires **120** and **122** are connected via a first lighting control communication link **232** to a follow spot controller **200**. In turn, follow spot controller **200** is connected via a second lighting control communication link **236** to main lighting control desk **126**. Each automated luminaire **120** may have its light output, pan and tilt position, color, beam size and other parameters controlled. First lighting control communication link **232** preferably uses DMX512 (Digital Multiplex) protocol, which is an industry standard, unidirectional communication protocol. However, the disclosure is not so limited and other communication protocols may be used, including Art-Net, ACN (Architecture for Control Networks), and Streaming ACN. Similarly, second lighting control communication link **236** is here shown as utilizing Art-Net, however the disclosure is not so limited and other communication interfaces or networks may be used. Both first and second lighting control communication links **232** and **236** may be wired, wireless, or optical communication links.

Follow spot controller **200** provides a bridge between first and second lighting control links **232** and **236** and may override or replace a limited set of parameters sent from lighting control desk **126** to automated luminaires **120**. For example, follow spot controller **200** may override just the pan and tilt parameters for one or more of the automated luminaires **120** and **122**, thereby controlling which directions the automated luminaires are pointing, while lighting control desk **126** retains control of the other parameters of the automated luminaires such as light intensity, size, color, and so on. In this way, an operator of follow spot controller **200** may concentrate solely on directing the pan and tilt parameters of one or more of the automated luminaires **120** and **122** and not be concerned about other parameters. In other embodiments, the override may include other light characteristics, such as an iris or focusing of the light beam and/or its intensity. In such embodiments, the overridden characteristics may be selectable by an operator of the follow spot controller **200** or an operator of the control desk **126**. In such embodiments, the overridden characteristics may be selected based upon cue data stored in the follow spot controller **200** or in the control desk **126**.

Follow spot controller **200** may control a single automated luminaire or may simultaneously control multiple automated luminaires. In the case where multiple automated luminaires **122** and/or **120** are being controlled, follow spot controller **200** may substantially continuously compensate for the different locations of each of the luminaires relative to the performance area **240** and adjust the pan and tilt

parameters sent to each luminaire such that each luminaire is directed to the same spot on the performance area **240** based on the pan and tilt parameters of the manually controlled follow spot. Such substantially continuous compensation is described in more detail with reference to FIGS. **6** and **9**.

Follow spot controller **200** may incorporate a display screen that displays a live video signal received via communication link **234** from a camera **124** mounted on an automated luminaire **122** (or several cameras on several luminaires (not shown)). The communication link **234** may be a wired, wireless, or optical communication link. Such a live video display may allow the operator controlling follow spot controller **200** to see the performance area **240** and the lighting and more accurately control the pan and tilt position of the automated luminaires **122** and/or **120**. Such a system allows the follow spot controller **200** to be situated in a convenient and safe location for the operator. Follow spot controller **200** may be mounted on a tripod or stand **238** to locate the follow spot controller **200** at a comfortable height for the operator.

In some embodiments, the communication link **234** is an analog video signal. In other embodiments, the communication link **234** is a digital communication link that carries a digital video signal. In still other embodiments, the communication link **234** may be bidirectional, allowing an operator of the follow spot controller **200** to control set up and other parameters of the camera **124**.

In further embodiments, multiple follow spot controllers **200** may be used in a single production. Each follow spot controller **200** would have its own attendant operator and would control one or more automated luminaires **122**.

FIG. 3 presents a schematic view of the follow spot controller **200** of FIG. 2. The follow spot controller **200** includes an operating handle **216**, which an operator uses to move the follow spot controller **200** to control the movement of an automated luminaire **120**. The handle **216** is fitted with encoders (not shown) to provide the follow spot controller **200** with information relating to a direction the operator has moved the handle **216** in at least pan and tilt axes of movement. In a simple system, the follow spot controller **200** may include only the handle **216**.

In some embodiments, the follow spot controller **200** includes additional user-operated controls such as faders or knobs **214** mounted on the handle **216**, the position or other state of which controls a parameter of the automated luminaire **120** and/or **122**. In other embodiments, grips of the handle **216** are user-operated controls that rotate relative to the handle **216**, their rotational state providing control of other parameters, such as focus, intensity, or beam angle. Such additional controls may be assignable to any desired function (or parameter) of the automated luminaire **120**. For example, one fader may control a brightness of the luminaire, while another controls a beam size. Additionally, yet further user-operated controls **212** may be provided on the console **204** and their rotational state used to control still other parameters.

In some embodiments, the console **204** provides the ability to store and recall cues containing information such as pan and tilt, color, size, or any other parameters of the luminaires under its control. The console **204** may also contain a display **206** that provides information and feedback relating to the control and working of the system, as well as function buttons **210** and indicators **208**.

Follow spot controller **200** may also include a display screen **202** showing a live video signal from a camera, as

described earlier. In some embodiments, the operator may select between different video feeds using the control functionality of console **204**.

In some embodiments, the follow spot controller **200** is fixed in position, while in other embodiments it is gimbaled so that it can be panned and tilted to point at different locations on the performance area **240** or around the house (performance facility). In installations where the controller is located to provide the operator a direct view of the performance area **240**, the operator can point the follow spots by dead reckoning while directly observing the performance area **240** by eye. In installations where the operator cannot directly view the performance area **240**, the operator may rely on the display screen **202** and a camera mounted on the follow spot controller **200**, where the camera is positioned to allow a view of the performance area **240**. In still other embodiments, the operator may rely on the display screen **202** and the camera **124** mounted on the automated luminaire **122**.

In some embodiments, the controller does not physically move. Instead, the operator controls the follow spots' motion via a joystick or other interface device. In such embodiments, the follow spot controller **200** and the display screen **202** are stationary, but the displayed view changes with the direction of the follow spots based on the user's manipulation of the joystick.

In other embodiments the control is combined. The follow spots' motion matches the pointing of the follow spot controller **200** when the performer or target point **242** is viewable from the location of the controller or by the camera relied on by the controller. When the target point **242** is outside that range, the display screen **202** presents a three-dimensional (3-D) rendered view (or virtual view), allowing the follow spots to follow a performer or target point **242** that is not in view of the operator or the camera.

In some embodiments, the follow spot controller **200** automatically or manually switches control of the luminaires **120** and/or **122** back to the main control desk **126** and then, at a later time, allows the operator of the follow spot controller **200** to take back control of the luminaires **120** and **122**.

FIG. 4 illustrates a second embodiment of a remotely controlled follow spot system according to the disclosure. In this embodiment, a camera **134** is provided that is separately mounted from any automated luminaire controlled by the follow spot controller **200**. The camera **134** is mounted on a PTZ (Pan-Tilt-Zoom) system **132** such that the operator may control an orientation of the camera **134**, thereby controlling a view obtained by the camera **134**. In various embodiments, such control of the orientation of the camera **134** is provided by the follow spot controller **200** or by a separate camera controller. When provided by the follow spot controller **200**, such control of the camera **134** may be provided in a separate mode of operation of the follow spot controller **200** from a mode where the follow spot controller **200** controls the luminaire **122**.

In other embodiments, such a separately mounted camera may be mounted in a fixed orientation, providing a static view of the performance area **240**.

FIG. 5 presents a block diagram of a control system (or controller) **500** for a follow spot controller according to the disclosure. The control system **500** is suitable for use in follow spot controllers **200**, **300**, or **400**, as described with reference to FIGS. 3, 7, and 8, respectively. The control system **500** includes a processor **502** electrically coupled to a memory **504**. The processor **502** is implemented by hardware and software. The processor **502** may be imple-

mented as one or more Central Processing Unit (CPU) chips, cores (e.g., as a multi-core processor), field-programmable gate arrays (FPGAs), application specific integrated circuits (ASICs), and digital signal processors (DSPs).

The processor **502** is further electrically coupled to and in communication with a communication interface **506** and one or more sensors, actuators, and/or controls **508**. The communication interface **506** is coupled to, and configured to communicate with, automated luminaires **120** and **122** via first lighting control communication link **232**. The communication interface **506** also is coupled to, and configured to communicate with, lighting control desk **126** via second lighting control communication link **236**.

The processor **502** is further electrically coupled to and in communication with a video interface **510**, which is in turn electrically coupled to a video camera via communication link **234**. The video interface **510** is further electrically coupled to the display screen **202**.

The control system **500** is suitable for implementing processes, follow spot control, continuous compensation, and other functionality as disclosed herein, which may be implemented as instructions stored in the memory **504** and executed by the processor **502**.

The memory **504** comprises one or more disks, tape drives, and/or solid-state drives and may be used as an over-flow data storage device, to store programs when such programs are selected for execution, and to store instructions and data that are read during program execution. The memory **504** may be volatile and/or non-volatile and may be read-only memory (ROM), random access memory (RAM), ternary content-addressable memory (TCAM), and/or static random-access memory (SRAM).

FIG. 6 illustrates a schematic of a first embodiment of a remotely controlled follow spot system according to the disclosure, as it might be installed for a production. Automated luminaires **120** are rigged (or mounted) above and/or around a performance area **240**. At least one luminaire **122** is fitted with a video camera **124**. In other embodiments, a camera may be mounted in a PTZ system, as described with reference to FIG. 4. Control data for the luminaires **120** and **122** is routed from a lighting control desk **126** through a second lighting control communication link **236** to a follow spot controller **200** and then via a first lighting control communication link **232** to luminaires **120** and **122**. A video signal is routed back from camera **124** via communication link **234** to a display screen **202** on the follow spot controller **200**. The image from the camera **124** may be displayed directly on the display screen **202** or may be processed in the follow spot controller **200** before being displayed.

As described previously, an operator of the follow spot controller **200** may take over control of some, or all, of the control parameters of one or more of the luminaires **120** and **122**. In particular, the follow spot controller **200** may control the pan and tilt parameters of one or more of luminaires **120** and **122** and direct them to illuminate a target point **242** on performance area **240**. In other embodiments, controls of the follow spot controller **200** may control other parameters of one or more of the luminaires **120** and **122**, e.g. brightness, focus, beam size, and/or color. Target point **242** may indicate a performer, and the operator may then move the handles on follow spot controller **200** such that the connected luminaire or luminaires continues to illuminate the performer as he/she moves around the performance area **240**.

The performance area **240** may include a stage or dais, a surrounding area, and/or some or all of the facility in which a performance takes place.

In some embodiments, a modified automated luminaire may be used as a follow spot controller according to the disclosure. FIG. 7 illustrates a first embodiment of an automated luminaire 300 according to the disclosure, which has been modified to be used as a follow spot or as a follow spot controller. The automated luminaire 300 is a hybrid automated/manually controlled fixture. The automated luminaire 300 is modified to be used as a follow spot or a follow spot controller by a hands-on human user as he would a traditional manual follow spot. A conventional automated luminaire may be modified by adding handles 316 and 317. By overriding or disabling the internal motor drives that control “pan” motion of yoke 302, relative to base 303, and “tilt” movement of head 301, relative to yoke 302, an operator can control the pan and tilt position of automated luminaire 300 using handles 316 and 317. In some embodiments, controls 314 and console 304 provide control over further parameters of the luminaire. Such an automated luminaire may be manually controlled by the operator in the manner of a prior art follow spot.

Additionally, the automated luminaire 300 functions as a follow spot controller 200 as described with reference to FIG. 2. In such an embodiment, sensors in the pan and tilt mechanisms of automated luminaire 300 sense the operator’s movement of the automated luminaire 300. In embodiments that include controls 314 and console 304, the automated luminaire 300 both tracks its movement by monitoring its pan and tilt position, as well as monitoring the operator’s manipulations of other light modulating controls.

FIG. 8 illustrates a second embodiment of an automated luminaire 400 that has been modified to be used as a follow spot or as a follow spot controller. A conventional luminaire 400 is modified by adding handles 416 and 417 and overriding the internal motor drives that control pan motion of yoke 402 relative to base 403 and tilt movement of head 401 relative to yoke 402. An operator can direct automated luminaire 400 by grasping the handles 416 and 417 and moving the head 401. In some embodiments, controls 414 and console 404 provide control over further parameters of the luminaire. The operator can thus control the automated luminaire 400 in the same manner as a conventional follow spot. In some embodiments, the automated luminaire 400 may function as a follow spot controller 200 as described with reference to FIG. 2. In such embodiments, sensors in the pan and tilt mechanisms of the automated luminaire 400 sense the operator’s movement of the luminaire.

FIG. 9 illustrates a schematic of a second embodiment of a remotely controlled follow spot system according to the disclosure, as it might be installed for a production. Multiple automated luminaires 120 are rigged to illuminate a performance area 240. The control data for the luminaires 120 is routed from a lighting control desk 126 through network 236 to a combined luminaire and follow spot controller 400 and then via network 232 to luminaires 120. In other embodiments, the automated luminaire 300, described with reference to FIG. 7, may be used in the system shown in FIG. 9.

As described previously, an operator of the combined luminaire and follow spot controller 400 may take over control of some or all of the control parameters of one or more of the luminaires 120. In such a circumstance, the automated luminaire becomes a follow spot controller. In particular, combined luminaire and follow spot controller 400 may control the pan and tilt positions of one or more of luminaires 120 such that they are collectively and individually directed to illuminate a target point, 242, on performance area 240. Thus the control of automated follow spots can be controlled by the manual control of a single follow

spot. Target point 242 may indicate a performer, and the operator may then move the handles on combined luminaire and follow spot controller 400 to illuminate the performer with luminaires 120 as she moves around the performance area 240.

As described briefly with reference to FIG. 2, in some embodiments, a processor, controller, or other control system in a follow spot controller according to the disclosure provides continuous compensation of pan and tilt positions of one or more automated luminaires 120, based on an operator’s manipulation of the follow spot controller 200 to control the automated luminaire 122. The control system creates a 3-D model of the performance area 240 (represented by one or more surfaces), and locations and mounting orientations of the automated luminaires 120 and 122 relative to the performance area 240. The 3-D model may also include locations and mounting orientations relative to the performance area 240 of the camera 124 and (where used) the camera 134.

Such a 3-D model may be determined from manual measurements of the surface and locations and mounting orientations. In other embodiments, the extent and locations and mounting orientations may be determined using sensors placed in or on the performance area 240, the automated luminaires 120 and 122, and/or the camera 124. In still other embodiments, the extent and locations of mounting orientations may be determined by the operator moving the center of the light beam projected by the luminaire 122 to each of a plurality of predetermined calibration points in the performance area 240, and indicating to the system the illuminated calibration point.

As the operator moves the luminaire 122 associated with the camera 124, the control system calculates a 3-D vector representing the center of a light beam projected by the luminaire 122. Based on the calculated 3-D vector and, in some embodiments, the location and mounting orientation relative to the performance area 240 of the camera 124, the control system calculates a location of the target point 242 on the performance area 240.

Based on the calculated location of the target point 242 and the locations and mounting orientations relative to the performance area 240 of the automated luminaires 120, the control system calculates individual pan and tilt parameters for each automated luminaire 120 that will result in light beams that also intersect the performance area 240 at the target point 242. These calculations are performed substantially continuously in real time to provide continuous compensation of orientations of the automated luminaires 120, based on the operator’s manipulation of the follow spot controller 200.

For the purposes of this disclosure, substantially continuously means sufficiently frequently to prevent perceivably jerky movement of the automated luminaires 120 and/or 122. In some embodiments, such calculated pan and tilt parameters are sent to each automated luminaire 120 at least once every 100 milliseconds. In a preferred embodiment, such calculated pan and tilt parameters are sent to each automated luminaire 120 at least once every 23 milliseconds.

In embodiments where independent camera 134 is used, pan and tilt parameters may also be calculated for the camera 134 that will result in the camera 134 automatically tracking to provide a view of the performance area 240 at the target point 242. Such camera pan and tilt parameters may be recalculated substantially continuously as described above, or with a period comparable to the recalculation of pan and tilt parameters for the automated luminaires 120.

Based on the calculated location of the target point **242** and the location and mounting orientation of the camera relative to the performance area **240** of the automated luminaires **120**, the follow spot controller **200** calculates individual pan and tilt parameters for each automated luminaire **120** that will result in light beams that also intersect the performance area **240** at the target point **242**.

In some embodiments the follow spot controller **200** (or modified automated luminaire **400**) may also control one or more of beam zoom, iris, and light intensity for each controlled automated luminaire **120** or **122**. Such control of beam zoom and/or iris would enable the follow spot controller **200** to maintain a constant beam size from each controlled luminaire on a performer as the performer moves within the performance area **240**. Further, such control of intensity would enable the follow spot controller **200** to maintain a consistent light intensity on performers as they move within the performance area **240**. In applications where the performance is being captured by a video or film camera it is of benefit to maintain a consistent light level on the performer, so that the camera does not have to be adjusted as the performer moves.

In such embodiments, the performer's position establishes a target point **242** in the 3-D model, as calculated from an operator's use of the follow spot controller **200** to point a controlled luminaire at the performer. The follow spot controller **200** may use an initial beam zoom, iris, and/or light intensity for each controlled luminaire, along with a varying throw distance from each controlled luminaire to the calculated moving target point in the 3-D model, to determine changes to make to the beam zoom, iris, and/or light intensity for each controlled luminaire. In such embodiments, an operator of the lighting control desk **126** (or the follow spot controller **200** or modified automated luminaire **400**) may choose to allow any one, or any combination, of beam zoom, iris, and light intensity of controlled luminaires to be automatically adjusted by the follow spot controller **200** in order to maintain one or both of beam size and target light intensity, in addition to pan and tilt, for controlled luminaires.

In some embodiments, such a 3-D model is used to provide an operator with a virtual view of the performance area, for example where neither the operator nor any camera has a view of the performance area **240**. In various embodiments, such continuous compensation may be provided by a control system in any of follow spot controller **200**, modified automated luminaire **300**, or modified automated luminaire **400**. In other embodiments such continuous compensation is provided by a control system of the lighting control desk **126**. In various embodiments, such continuous compensation is enabled and disabled from one of the follow spot controller **200** or lighting control desk **126**, and may be enabled for selected ones of the automated luminaires **120**.

While the disclosure has been described with respect to a limited number of embodiments, those skilled in the art, having benefit of this disclosure, will appreciate that other embodiments may be devised which do not depart from the scope of the disclosure herein. The disclosure has been described in detail, it should be understood that various changes, substitutions and alterations can be made hereto without departing from the spirit and scope of the disclosure.

What is claimed is:

1. A follow spot controller, comprising:
  - a memory;
  - a processor electrically coupled to the memory, configured to execute instructions received from the memory;

- a mounting mechanism configured to mount a follow spot controller for motion in at least pan and tilt axes of movement; and
- a communication interface electrically coupled to the processor, the communication interface comprising:
  - a first communication link configured to communicate with a lighting control desk; and
  - a second communication link configured to communicate unidirectionally with an automated luminaire, wherein the processor is further configured to:
    - receive control parameters sent to the automated luminaire from the lighting control desk,
    - sense a physical orientation of the mounting mechanism in the at least pan and tilt axes of movement,
    - create modified control parameters by replacing received pan and tilt parameters in the received control parameters with replacement pan and tilt parameters based on the sensed physical orientation of the mounting mechanism in the at least pan and tilt axes of movement, and
    - send the modified control parameters to the automated luminaire, the received pan and tilt parameters and the replacement pan and tilt parameters indicating physical orientations of the automated luminaire.
- 2. The follow spot controller of claim 1, further comprising a user-operated control, wherein the processor is further configured to replace other control information in the received control parameters with information based on a state of the user-operated control, and send the modified control parameters to the automated luminaire.
- 3. The follow spot controller of claim 1, further comprising:
  - a video interface configured to receive a video signal; and
  - a display screen coupled to the video interface and configured to display the video signal.
- 4. The follow spot controller of claim 3, wherein the video signal is received from a camera mechanically coupled to the automated luminaire.
- 5. The follow spot controller of claim 3, wherein the video signal is received from a camera mounted separately from the automated luminaire, and wherein the processor is further configured to control an orientation of the camera.
- 6. The follow spot controller of claim 1, wherein the mounting mechanism comprises a modified automated luminaire that includes pan and tilt mechanisms having disabled pan and tilt motor drives, respectively, wherein the processor is configured to sense the physical orientation of the mounting mechanism by sensing a physical orientation of the pan and tilt mechanisms of the modified automated luminaire.
- 7. A follow spot control system, comprising:
  - a memory;
  - a processor electrically coupled to the memory and configured to execute instructions received from the memory; and
  - a mounting mechanism configured to mount a follow spot controller for motion in at least pan and tilt axes of movement, wherein the processor is further configured to:
    - sense a physical orientation of the mounting mechanism in at least pan and tilt axes of movement,
    - send operator pan and tilt parameters to a first automated luminaire of a plurality of automated luminaires based on the sensed physical orientation of the mounting mechanism, and
    - send individual calculated pan and tilt parameters to each of a remainder of the plurality of automated luminaires based on (i) the pan and tilt parameters of



11

the first automated luminaire and (ii) a three-dimensional model of a surface of a performance area and individual locations and mounting orientations of each of the plurality of automated luminaires relative to the performance area, the operator pan and tilt parameters indicating a physical orientation of the first automated luminaire and the individual calculated pan and tilt parameters indicating physical orientations of the associated ones of the remainder of the plurality of automated luminaires.

8. The follow spot control system of claim 7, wherein the processor is configured to:

calculate a target point on the surface of the performance area based on the operator pan and tilt control parameters, and

calculate the calculated pan and tilt parameters based on the target point.

9. The follow spot control system of claim 7, wherein the operator pan and tilt parameters and calculated pan and tilt parameters are sent substantially continuously to associated ones of the plurality of automated luminaires.

10. The follow spot control system of claim 7, further comprising:

a video interface configured to receive a video signal; and a display screen coupled to the video interface and configured to display the video signal.

11. The follow spot control system of claim 10, wherein the video signal is received from a camera mechanically coupled to the first automated luminaire.

12. The follow spot control system of claim 10, wherein the video signal is received from a camera mounted in a fixed position.

13. The follow spot control system of claim 10, wherein the mounting mechanism comprises a modified automated luminaire that includes pan and tilt mechanisms having disabled pan and tilt motor drives, respectively, wherein the processor is configured to sense the physical orientation of the mounting mechanism by sensing a physical orientation of the pan and tilt mechanisms of the modified automated luminaire.

12

14. The follow spot control system of claim 7, wherein the processor is further configured to:

receive control parameters sent to the plurality of automated luminaires from a lighting control desk;

replace received pan and tilt parameters in the received control parameters for the first one of the plurality of automated luminaires with the operator pan and tilt parameters;

replace received pan and tilt parameters in the received control parameters for the remainder of the plurality of automated luminaires with the corresponding individual calculated pan and tilt parameters; and

send the received control parameters with the replaced pan and tilt parameters to the plurality of automated luminaires, the received pan and tilt parameters indicating physical orientations of the first automated luminaire and the remainder of the plurality of automated luminaires.

15. The follow spot control system of claim 14, further comprising a user-operated control, wherein the processor is further configured to replace other control information in the received control parameters with information based on a state of the user-operated control, and send the received control parameters with the replaced other control parameters to one or more of the plurality of automated luminaires.

16. The follow spot control system of claim 14, wherein the processor is further configured to:

replace one or more additional control parameters in the received control parameters, where the replaced additional control parameters include one or more of zoom, intensity, and iris control parameters, the replaced additional control parameters configured to maintain one or both of constant intensity and constant spot size at a target point on the surface of the performance area; and

send the received control parameters with the replaced additional control parameters to one or more of the plurality of automated luminaires.

\* \* \* \* \*