



US010495802B2

(12) **United States Patent**
Jurik et al.

(10) **Patent No.:** **US 10,495,802 B2**
(45) **Date of Patent:** **Dec. 3, 2019**

(54) **LIGHT PIPES FOR LED ARRAY LUMINAIRE**

(71) Applicant: **Robe Lighting s.r.o.**, Roznov pod Radhostem (CZ)

(72) Inventors: **Pavel Jurik**, Prostredni Becva (CZ);
Josef Valchar, Prostredni Becva (CZ)

(73) Assignee: **Robe Lighting s.r.o.**, Roznov pod Radhostem (CZ)

(*) Notice: Subject to any disclaimer, the term of this patent is extended or adjusted under 35 U.S.C. 154(b) by 0 days.

(21) Appl. No.: **16/425,554**

(22) Filed: **May 29, 2019**

(65) **Prior Publication Data**

US 2019/0278012 A1 Sep. 12, 2019

Related U.S. Application Data

(60) Provisional application No. 62/678,122, filed on May 30, 2018.

(51) **Int. Cl.**

F21V 8/00 (2006.01)
H01L 25/075 (2006.01)
F21V 3/00 (2015.01)
F21V 14/06 (2006.01)
F21V 5/00 (2018.01)

(Continued)

(52) **U.S. Cl.**

CPC **G02B 6/0008** (2013.01); **F21V 3/00** (2013.01); **F21V 5/007** (2013.01); **F21V 14/06** (2013.01); **H01L 25/0753** (2013.01); **F21Y 2113/17** (2016.08); **F21Y 2115/10** (2016.08)

(58) **Field of Classification Search**

CPC ... **G02B 6/0008**; **H01L 25/0753**; **F21V 5/007**;
F21V 14/06; **F21Y 2115/10**; **F21Y 2113/17**

See application file for complete search history.

(56) **References Cited**

U.S. PATENT DOCUMENTS

3,752,561 A 8/1973 Klemt
9,411,083 B2 8/2016 Angelini et al.
(Continued)

FOREIGN PATENT DOCUMENTS

EP 3130843 A1 2/2017

OTHER PUBLICATIONS

European Extended Search Report; Application No. 19177453.8; dated Oct. 4, 2019; 12 pages.

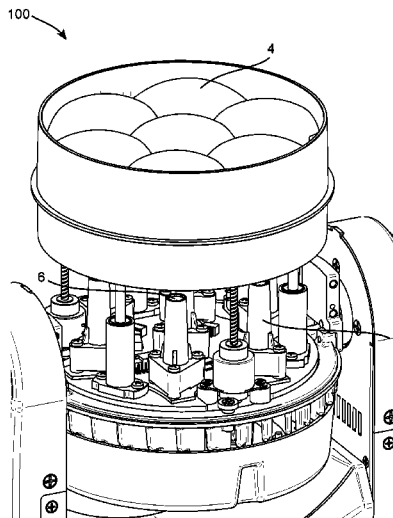
Primary Examiner — David V Bruce

(74) *Attorney, Agent, or Firm* — Conley Rose, P.C.; Grant Rodolph; Brooks W Taylor

(57) **ABSTRACT**

An optical system and luminaire are provided. The luminaire includes a plurality of LED die sets, a plurality of light pipes corresponding to the LED die sets, and a plurality of light pipe holders corresponding to the light pipes. Each of the LED die sets includes a plurality of LED dies. The LED dies of at least one LED die set emit light beams of a plurality of colors that corresponds to the plurality of LED dies. The light pipe holders are configured to hold their light pipes in positions optically coupled to corresponding LED die sets. The light pipe corresponding to the at least one LED die set has an output face, an input face to receive a light beam, and a body extending from the input face to the output face. A cross-section of the body rotates along a central axis extending between the input face and the output face.

20 Claims, 10 Drawing Sheets



- (51) **Int. Cl.**
 F21Y 113/17 (2016.01)
 F21Y 115/10 (2016.01)

(56) **References Cited**

 U.S. PATENT DOCUMENTS

9,772,499	B2	9/2017	Angelini et al.	
2008/0013911	A1	1/2008	Jennings	
2008/0137361	A1*	6/2008	Ho	G02B 6/0006 362/555
2012/0256559	A1*	10/2012	Zhao	H05B 33/0803 315/294
2014/0301071	A1	10/2014	Jorgensen et al.	
2015/0277035	A1	10/2015	Bryan et al.	
2017/0351101	A1	12/2017	Angelini et al.	
2018/0024441	A1	1/2018	Markle et al.	

* cited by examiner

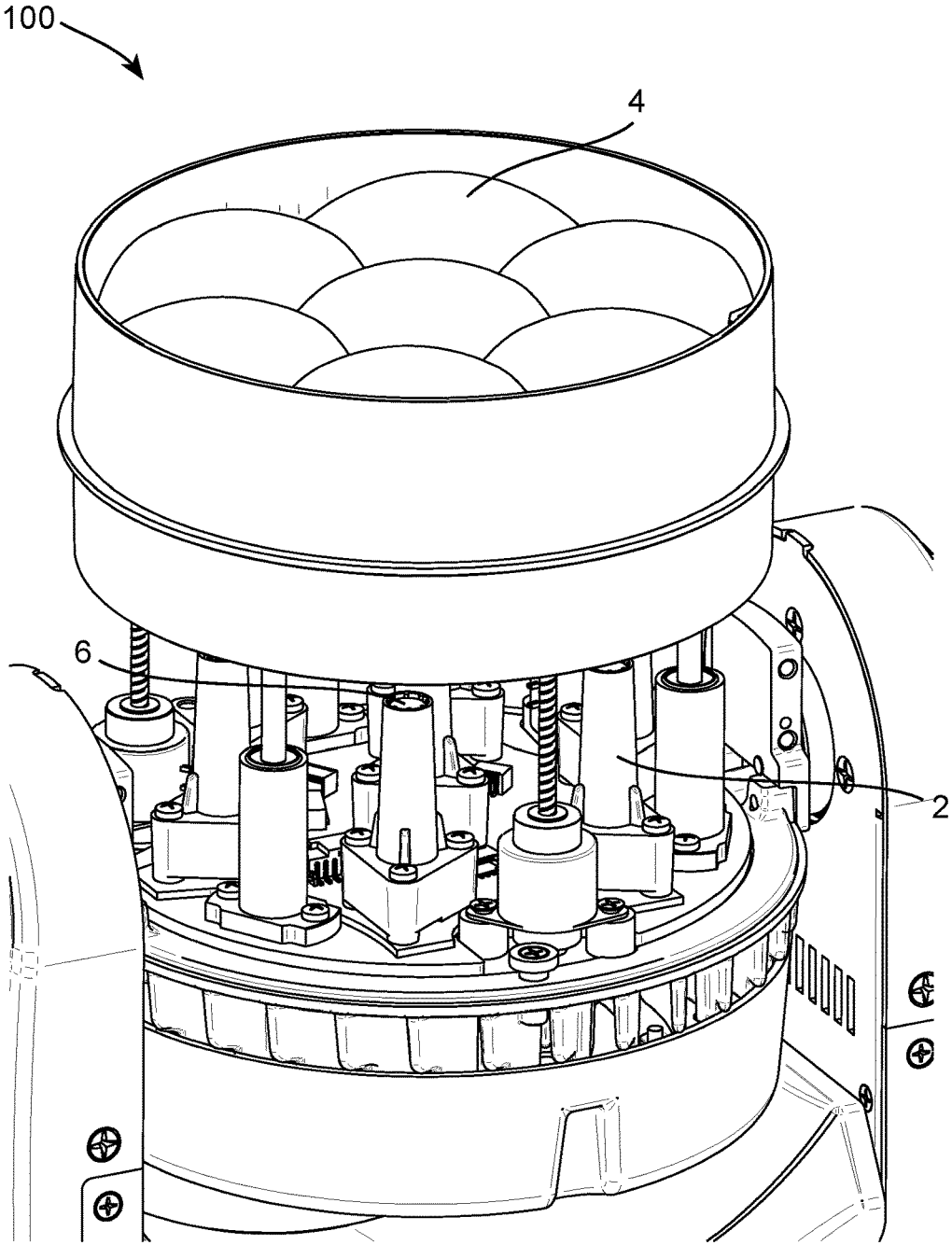


FIGURE 1

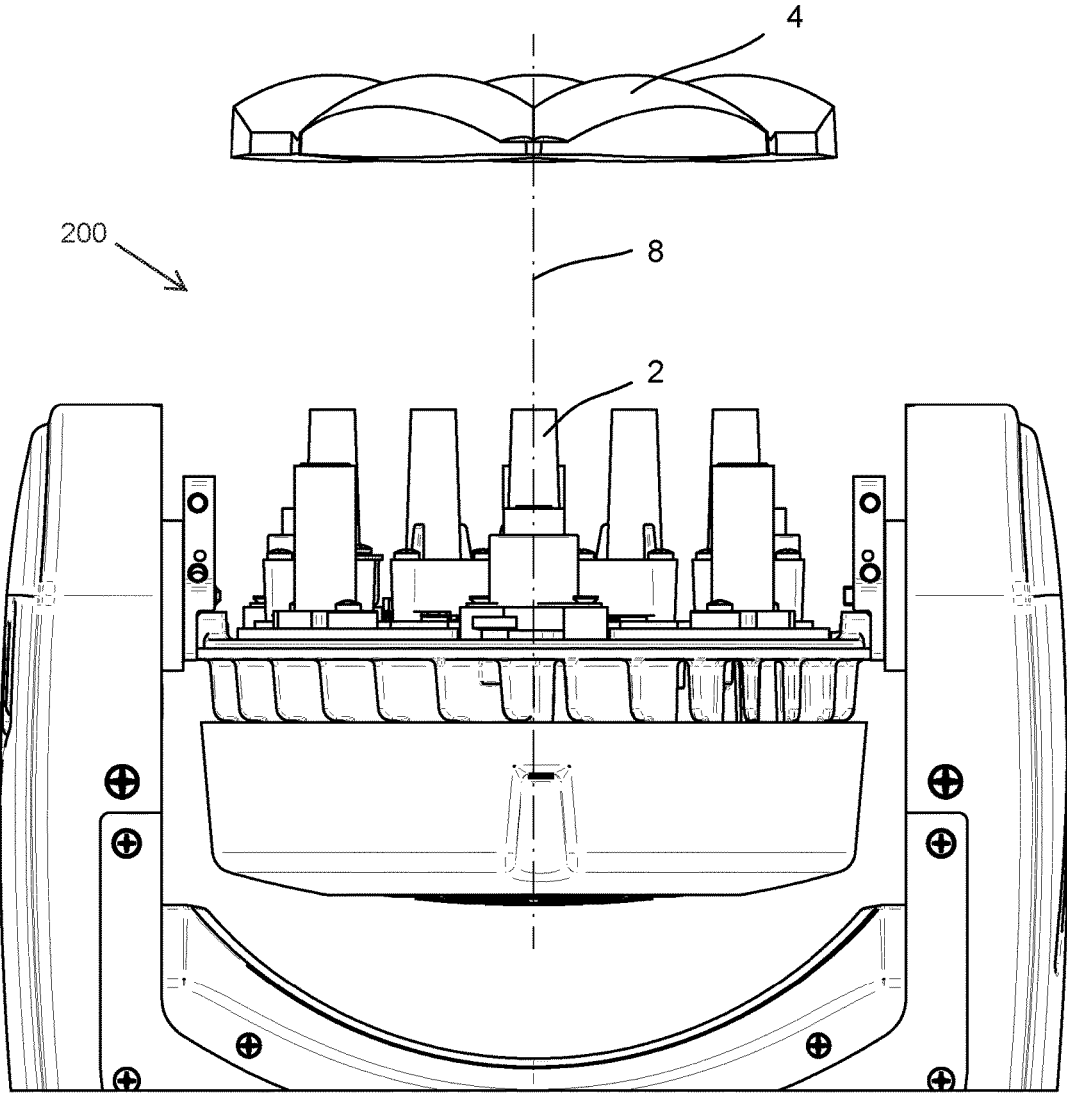


FIGURE 2

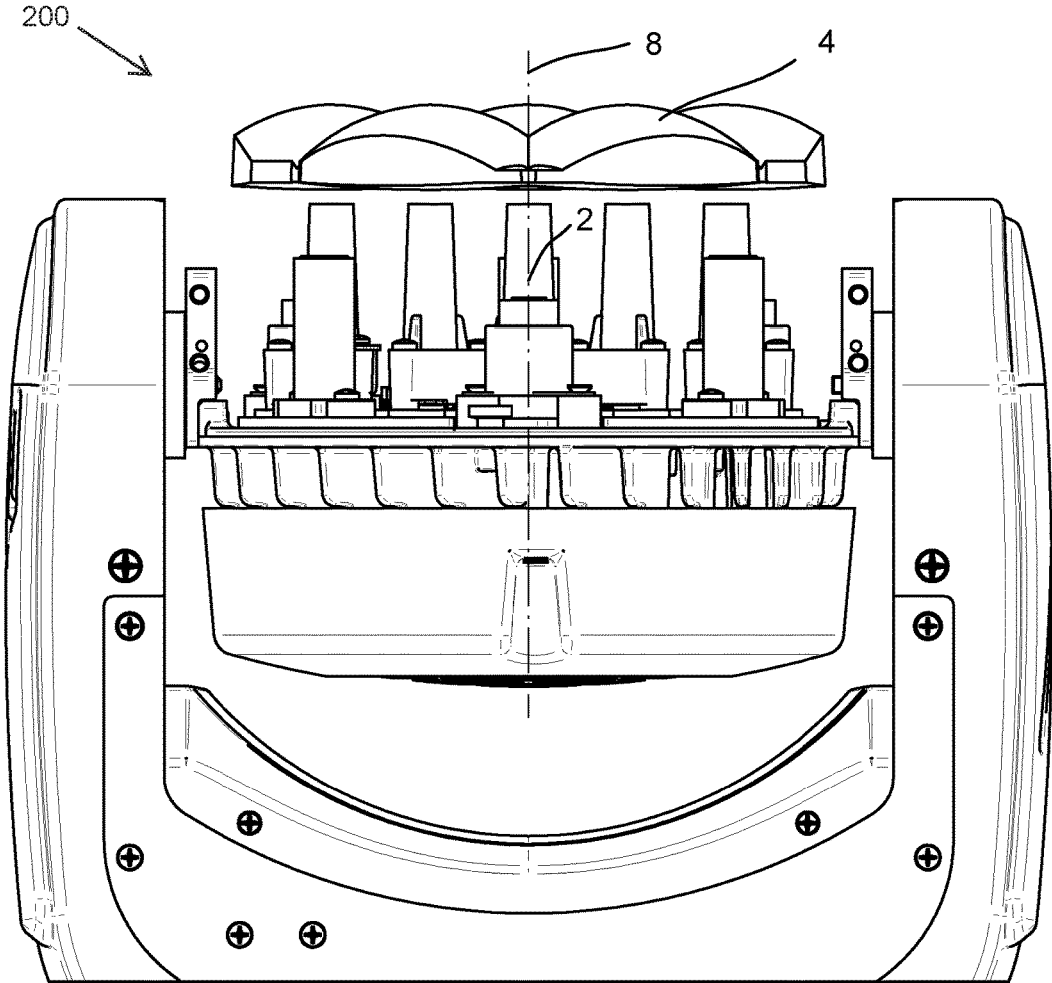


FIGURE 3

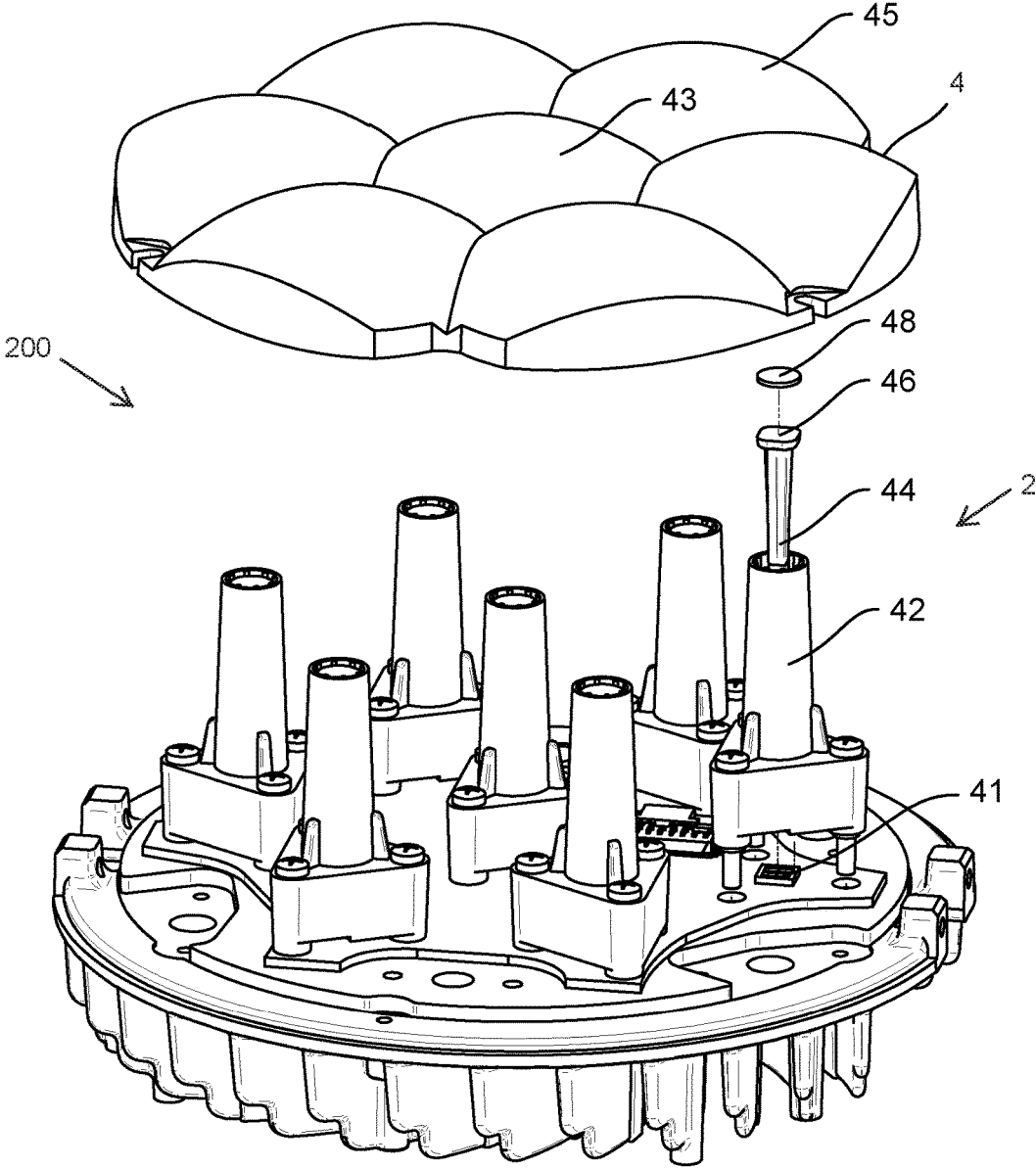


FIGURE 4

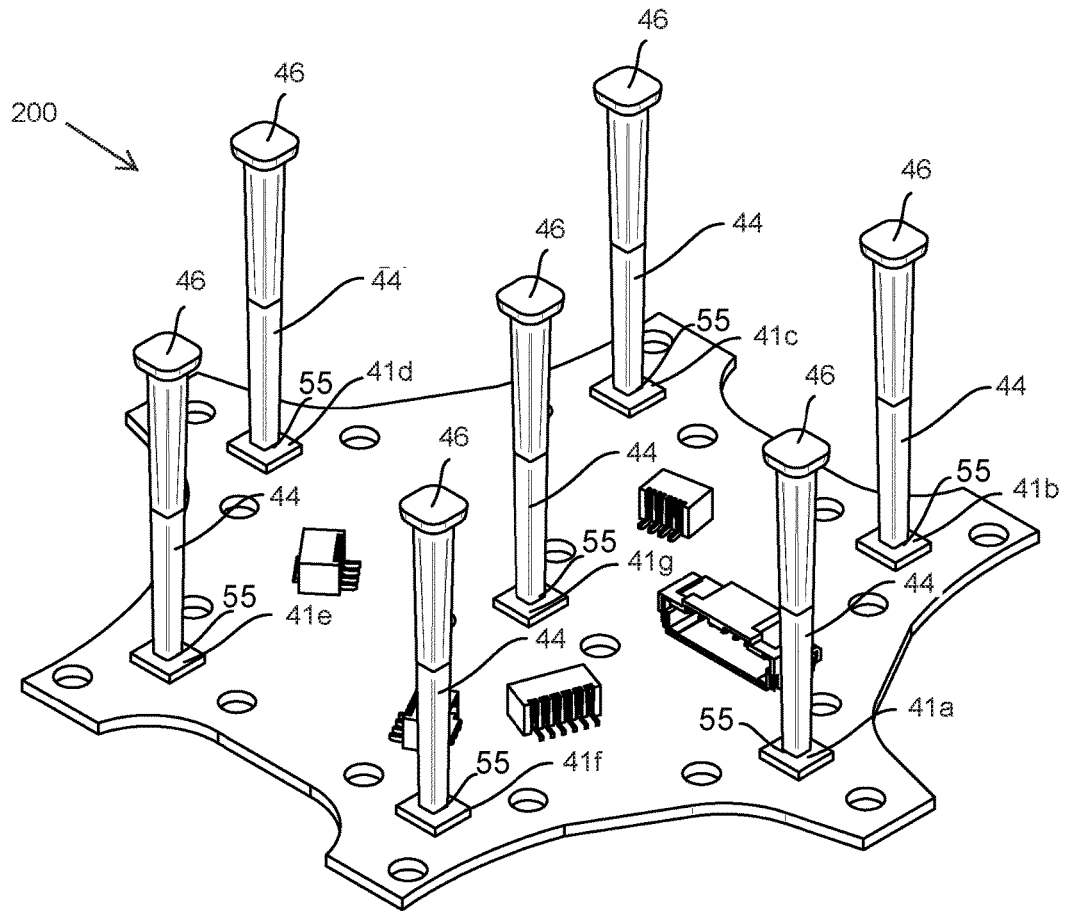


FIGURE 5

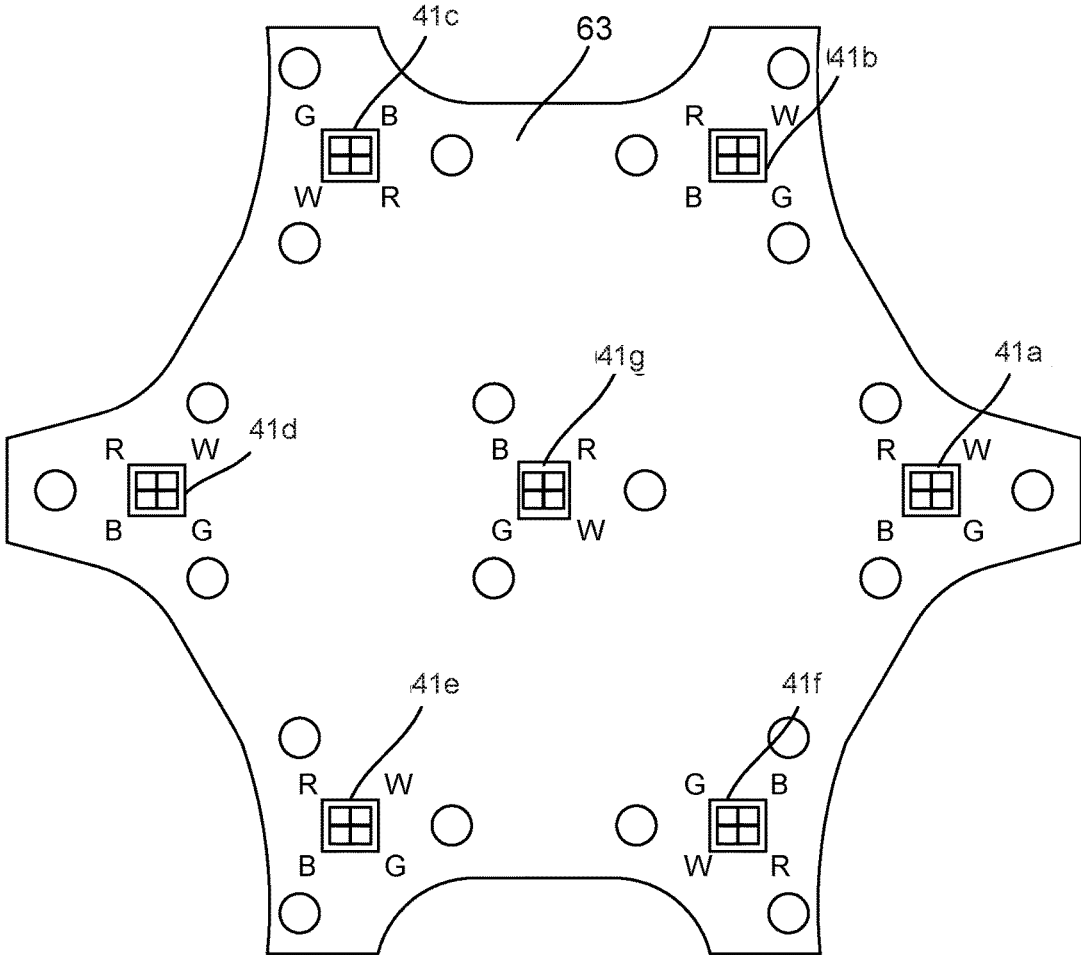


FIGURE 6

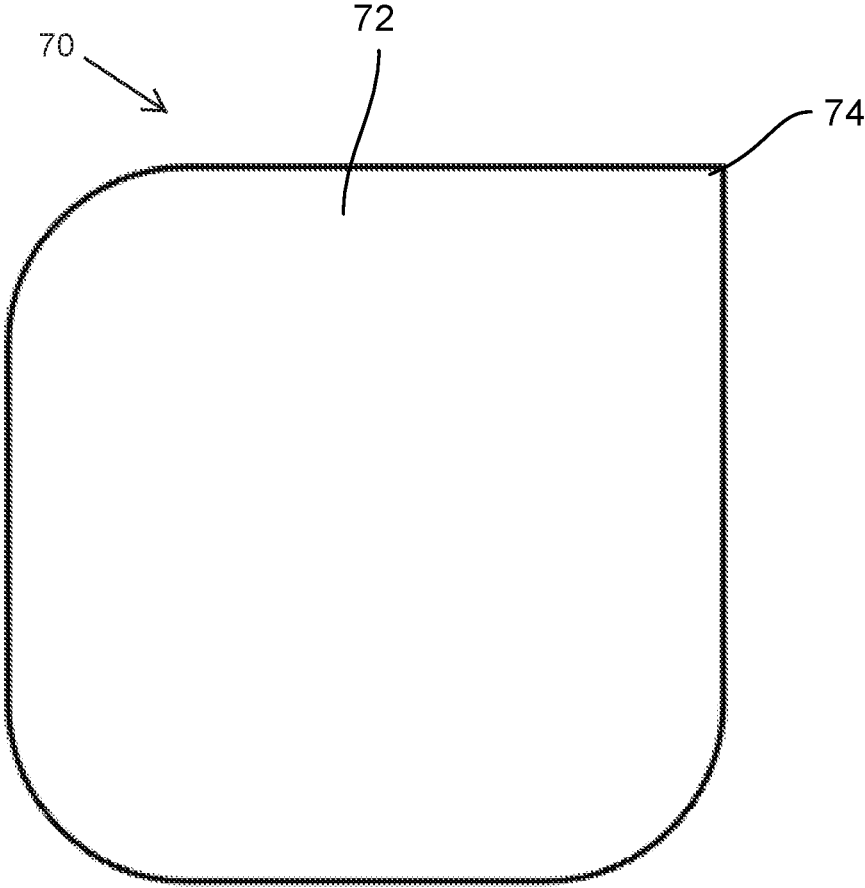


FIGURE 7

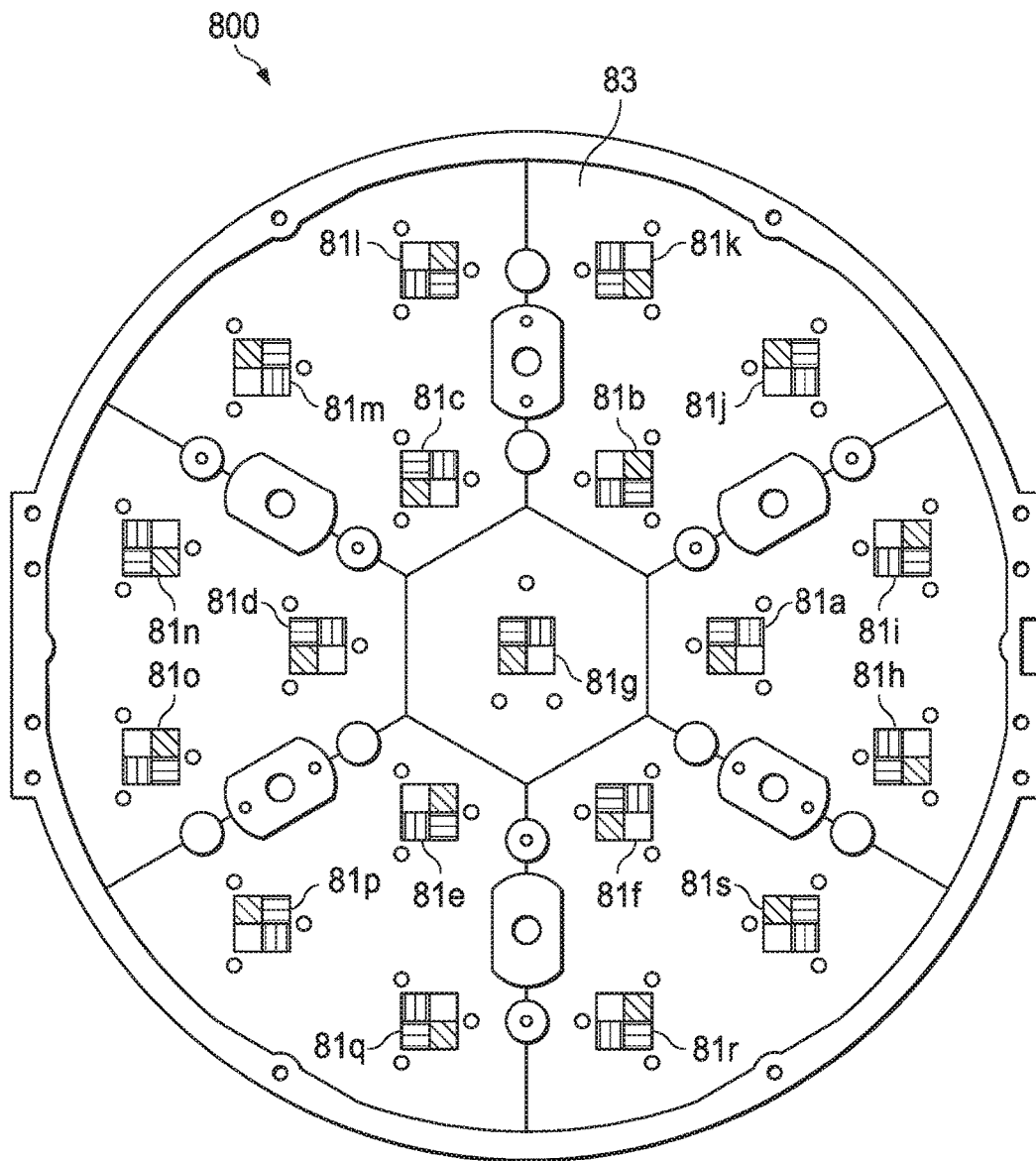


FIG. 8

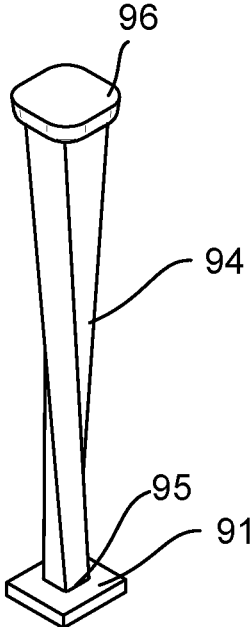


FIGURE 9

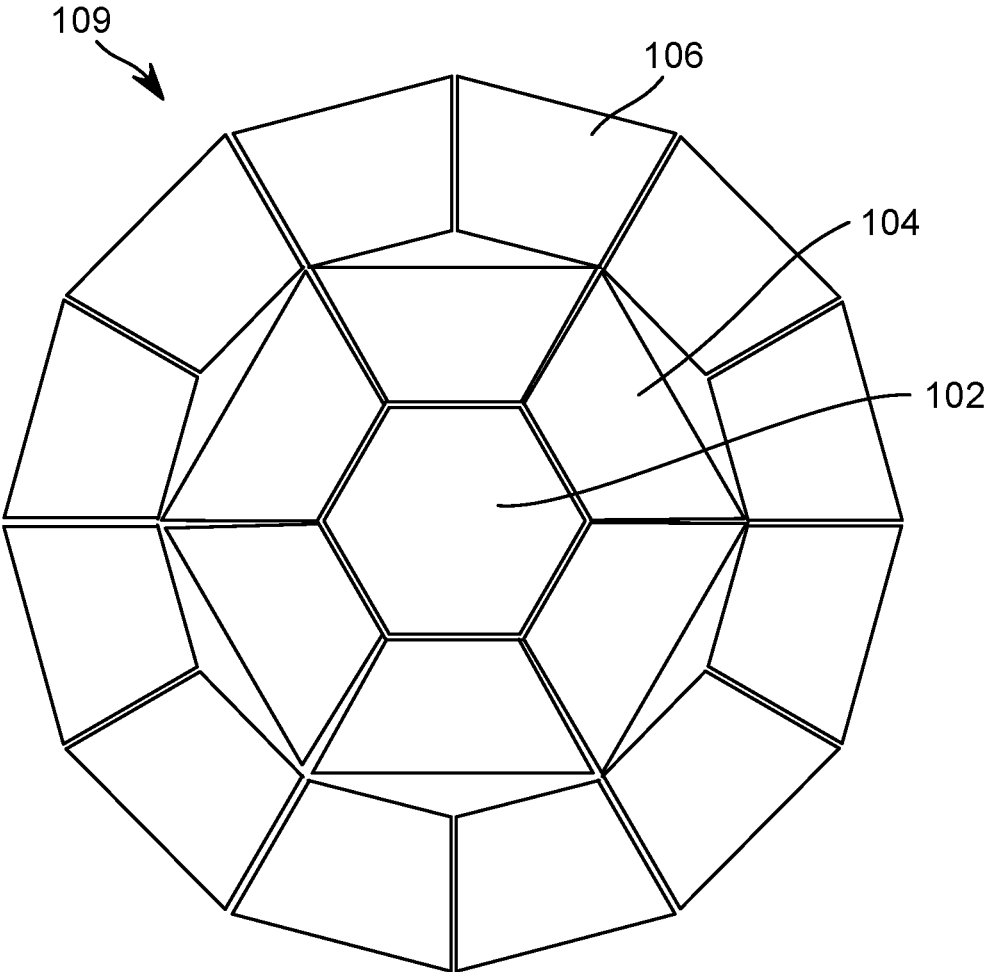


FIGURE 10

1

LIGHT PIPES FOR LED ARRAY LUMINAIRE**CROSS-REFERENCE TO RELATED APPLICATIONS**

This application claims priority to U.S. Provisional Application No. 62/678,122 filed May 30, 2018 by Pavel Jurik, et al. entitled, "Light Pipes for LED Array Luminaire", which is incorporated by reference herein as if reproduced in its entirety.

TECHNICAL FIELD OF THE DISCLOSURE

The disclosure generally relates to a light-emitting diode (LED) luminaires, specifically to light pipes for an LED luminaire.

BACKGROUND

Many entertainment lighting fixtures use LED light sources to reduce power requirements and generated heat. The LED source often includes LEDs of differing colors, e.g., red, blue, green, and white. An operator can adjust the beam to a desired color by remotely adjusting the relative brightness of the colors.

SUMMARY

In a first embodiment, an optical system includes first and second LED die sets, first and second light pipes, and first and second light pipe holders. Each of the first and second LED die sets includes a plurality of LED dies. The LED dies of each of the first and second LED die sets emit light beams of a plurality of colors that corresponds to the plurality of LED dies. Each of the first and second light pipes has an output face, an input face configured to receive a light beam, and a body extending from the input face to the output face, a cross-section of the body of the first light pipe rotating along a central axis extending between the input face and the output face. The first and second light pipe holders are configured to hold the first and second light pipes in positions optically coupled to the first and second LED die sets.

In a second embodiment, a luminaire includes a plurality of LED die sets, a plurality of light pipes corresponding to the LED die sets, and a plurality of light pipe holders corresponding to the light pipes. Each of the LED die sets includes a plurality of LED dies. The LED dies of at least one LED die set emit light beams of a plurality of colors that corresponds to the plurality of LED dies. The light pipe holders are configured to hold their corresponding light pipes in positions optically coupled to corresponding LED die sets. The light pipe corresponding to the at least one LED die set has an output face, an input face configured to receive a light beam, and a body extending from the input face to the output face. A cross-section of the body rotates along a central axis extending between the input face and the output face.

BRIEF DESCRIPTION OF THE DRAWINGS

For a more complete understanding of this disclosure, reference is now made to the following brief description, taken in conjunction with the accompanying drawings in which like reference numerals indicate like features.

FIG. 1 shows an automated luminaire according to the disclosure;

2

FIG. 2 presents a partial side view of the optical system of FIG. 1 in a first configuration;

FIG. 3 presents a partial side view of the optical system of FIG. 1 in a second configuration;

5 FIG. 4 shows an exploded isometric view of the optical system of FIG. 1;

FIG. 5 shows an isometric detail view of elements of the LED modules of the optical system of FIG. 1;

10 FIG. 6 shows a top detail view of LED die sets of the optical system of FIG. 1;

FIG. 7 shows a cross-section view of an input face of a light pipe according to the disclosure;

FIG. 8 shows a top detail view of a second optical system according to the disclosure;

15 FIG. 9 shows a second light pipe according to the disclosure; and

FIG. 10 shows a second array of lenses according to the disclosure.

DETAILED DESCRIPTION

Preferred embodiments are illustrated in the figures, like numerals being used to refer to like and corresponding parts of the various drawings.

25 Disclosed herein is an LED optical system including a plurality of light pipes having asymmetric cross-sections mounted in a common rotational orientation and having polygonal output faces.

FIG. 1 shows an automated luminaire **100** according to the disclosure. The luminaire **100** includes a plurality of LED modules **2**. Each LED module **2** includes a multi-chip LED (not shown in FIG. 1) with a plurality of LED dies. Each LED die may be a different color. Each LED module **2** further includes a light pipe or integrating rod (not shown in FIG. 1) configured to homogenize the brightness and/or color of the light beams from the LED dies, and may also include a diffusion optical element **6**, on an exit end of a light pipe of the LED module **2**.

FIG. 2 presents a partial side view of an optical system **200** in a first configuration. The optical system **200** is shown installed in the automated luminaire **100**, but may be installed in other types of luminaires in other embodiments. The LED modules **2** emit light towards and through a lens array **4**. The lens array **4** may contain a plurality of individual lens sections, one for each LED module **2**. The lens array **4** is configured to move towards and away from the LED modules **2** along an optical axis **8** of the automated luminaire **100**. In some embodiments, mechanical actuators that are controlled remotely are configured to move the lens array **4**. In a first configuration of the optical system **200** shown in FIG. 2, the lens array **4** has been moved away from the LED modules **2** and the optical system **200** emits a narrow light beam.

FIG. 3 presents a partial side view of the optical system **200** in a second configuration. In the second configuration shown in FIG. 3, the lens array **4** has been moved close to the LED modules **2** and the optical system **200** emits a wide light beam. Thus, the lens array **4** is configured to control a beam angle of the optical system **200** by moving along the optical axis **8** toward and away from the LED modules **2**.

FIG. 4 shows an exploded isometric view of the optical system **200**. The LED module **2** includes an LED die set **41** that emits light into a light pipe **44** that is mounted in a light pipe holder **42**. An output face **46** of the light pipe **44** is capped with a diffusing foil **48** that is configured to further homogenize a light beam emitted from the light pipe **44**. While a diffusing foil is shown in FIG. 4, in other embodi-

ments other diffusing optical elements may be used. In one embodiment, the diffusing foil **48** may be secured within light pipe holder **42** via teeth on the inside rim inside of the light pipe holder **42**, just below its edge. In another embodiment, the diffusing foil **48** may be secured within light pipe holder **42** via ultrasonic welding techniques that mechanically couple the diffusing foil **48** to the light pipe holder **42** or create protrusions from the inside surface of the light pipe holder **42** to hold the diffusion foil **48** in place. In yet other embodiments, adhesives, tape, or other mechanical fixing materials may be used to attach the diffusing foil **48** to the light pipe **44** and/or the light pipe holder **42**.

The lens array **4** of the optical system **200** includes a center lens **43**, which is hexagonal in shape, surrounded by a first ring of lenses **45**, each of which has a first trapezoidal shape.

FIG. **5** shows an isometric detail view of elements of the LED modules of the optical system **200**. The optical system **200** includes seven light pipes **44**. Each light pipe **44** comprises an asymmetrical input face **55** (as described in more detail with reference to FIG. **7**) and is oriented within its holder (not shown in FIG. **5**) with its asymmetry pointed in the same direction as all other light pipes **44**. While the light pipe holders **42** are mounted in differing orientations, each light pipe **44** is mounted within its holder with the same rotational orientation along its optical axis relative to the optical system **200**. The input face **55** of each light pipe **44** is positioned close to its associated LED die set **41a-g** and is configured to capture the light from its associated LED die set. The output face **46** of each light pipe **44** is a rounded rectangle. In other embodiments, an output face of a light pipe according to the disclosure may be a regular polygon having five or more sides with sharp or rounded vertices between some or all faces. In all embodiments, the shape of the output is configured to produce a light beam that is closer to a circular beam than to the square beam produced by an output face having a square cross-section.

As discussed in more detail with reference to FIG. **9**, in some embodiments light pipes according to the disclosure include a body that twists along its central axis. Where some light pipes twist by different amounts than other light pipes, the resulting apparent rotation of the square LED die sets will also contribute to produce a more circular light beam.

FIG. **6** shows a top detail view of LED die sets **41a-g** of the optical system **200**. The LED die sets **41a-g** are mounted on a substrate **63**. Each LED die set includes a plurality of LEDs, each of which emits a light beam of a different color. In the embodiment shown in FIG. **6**, each LED die set includes four LEDs, one each of a red, green, blue, and white LED die, indicated by the letters R, G, B, and W respectively in FIG. **6**. The LED die sets **41a-g** are configured with their colored LED dies in different positions relative to each other to improve an even coloring of the combined light beam emitted by the LED die sets and their associated lenses and to reduce color fringes or casts in the combined light beam.

While the different colors disclosed in FIG. **6** are the primary colors red, green, blue, and white, it will be understood that in other embodiments LEDs of different colors may emit light in different shades of white, light of different color temperatures, or light having different color spectra.

FIG. **7** shows a cross-section view of an input face **72** of a light pipe **70** according to the disclosure. The input face **72** has a polygonal shape and includes an asymmetrical feature **74**. A polygonal face of a light pipe according to the disclosure includes more than two sides, as well as vertices or corners between faces that may be sharp or rounded. The asymmetrical feature **74** ensures that all light pipes **70** in a

luminaire may be positioned with the same rotational orientation along an axis that extends from the light pipe's input face to its output face. That is, all light pipes **70** may be positioned with their asymmetrical features **74** rotated in the same direction.

Light pipes may be manufactured by molding a suitable optical material. Molds typically introduce manufacturing artifacts, such as parting lines, into products produced from the mold. By including an asymmetrical feature in a light pipe according to the disclosure, all light pipes in a luminaire may be mounted in a common rotational orientation thereby reducing variation in a beam emitted by the luminaire where the variation results from manufacturing artifacts in the light pipes.

FIG. **8** shows a top detail view of a second optical system **800** according to the disclosure. LED die sets of the optical system **800** are arranged on a substrate **83** with a central LED die set **81g**, a first ring of LED die sets **81a-f** surrounding the central LED die set **81g**, and a second ring of LED die sets **81h-s** surrounding the first ring of LED die sets **81a-f**.

FIG. **9** shows a second light pipe **94** according to the disclosure. The light pipe **94** is mounted with its input face **95** optically coupled to an LED die set **91**. A cross-section of a body of the light pipe **94** rotates (or twists) along a central axis of the light pipe **94**, the central axis extending between the square input face **95** and a polygonal output face **96**. The light pipe **94** twists through a turn of 90° . In other embodiments, light pipes according to the disclosure may rotate along their lengths by amounts of more than or less than 90° . The light pipes **44** and **94** may be used in any optical system according to the disclosure. In some embodiments, different light pipes in an optical system according to the disclosure may rotate along their length by different amounts or in different directions.

Light pipes may be twisted so as to optically rotate the orientation of their associated LED die set. As described with reference to FIG. **6**, rotating LED die sets reduces or eliminates a color cast to one side of a combined beam produced from the LED die sets, instead distributing the colors more evenly distributed in every direction. Twisting different light pipe by different amounts further aids this even distribution of LED colors. Additionally light pipes may be twisted by angles other than the increments of 90° that conventional circuit board design imposes on LED die set mounting. By combining LED die set rotation with light pipes having differing amounts of twist, a wider range of apparent orientations of the LED die sets can be obtained.

For shorter twisted light pipes, a twist of greater than 180° could result in light loss from the light pipe due to sharp internal angles. However, by intermixing light pipes that rotate in both directions, clockwise and counter-clockwise, an optical system according to the disclosure may obtain an effective twist range of -180° to $+180^\circ$, thereby further increasing the range of possible angles of apparent orientations of the LED die sets. In some such embodiments, this expanded effective twist range allows all LED die sets to be mounted in the same orientation while still obtaining well distributed colors over the combined beam, allowing all LED die sets to be mounted on the circuit board in the same orientation.

FIG. **10** shows a second array of lenses **109** according to the disclosure. The lens array **109** is suitable for use with the optical system **800**, described with reference to FIG. **8**. Lens array **109** includes a center lens **102**, which is hexagonal in shape, surrounded by a first ring of lenses **104**, each of which

has a first trapezoidal shape. The first ring of lenses **104** is surrounded by a second ring of lenses **106**, each of which has a second trapezoidal shape.

While the disclosure has been described with respect to a limited number of embodiments, those skilled in the art, having benefit of this disclosure, will appreciate that other embodiments may be devised which do not depart from the scope of the disclosure herein. While the disclosure has been described in detail, it should be understood that various changes, substitutions and alterations can be made hereto without departing from the spirit and scope of the disclosure.

What is claimed is:

1. An optical system comprising:

first and second light-emitting diode (LED) die sets, each LED die set comprising a plurality of LED dies, the LED dies of each of the first and second LED die sets emitting light beams of a plurality of colors corresponding to the plurality of LED dies;

first and second light pipes, each comprising an output face, an input face configured to receive a light beam, and a body extending from the input face to the output face, a cross-section of the body of the first light pipe rotating along a central axis extending between the input face and the output face; and

first and second light pipe holders configured to hold the first and second light pipes, respectively, in positions optically coupled to the first and second LED die sets, respectively.

2. The optical system of claim 1, wherein the cross-section of the body of the first light pipe rotates by a first amount along the central axis of the first light pipe, and a cross-section of the body of the second light pipe rotates by a second amount along the central axis of the second light pipe.

3. The optical system of claim 1, wherein the input face of each of the first and second light pipes includes an asymmetrical feature and the second light pipe holder is configured to hold the second light pipe with its asymmetrical feature oriented in the same direction as the asymmetrical feature of the first light pipe.

4. The optical system of claim 1, wherein the first light pipe comprises an output face having a polygonal cross-section with five or more sides.

5. The optical system of claim 1, further comprising a diffusing optical element configured to homogenize a light beam emitted from the first light pipe.

6. The optical system of claim 1, wherein the plurality of LED dies of the first LED die set comprises four LED dies emitting red, green, blue, and white light, respectively.

7. The optical system of claim 1, wherein the plurality of LED dies of each of the first and second LED die sets emit light beams of the same plurality of colors, the LED dies of the first LED die set being positioned in a first configuration of colors relative to each other and the LED dies of the second LED die set being positioned in a second configuration of colors relative to each other, where the first configuration of colors is different from the second configuration of colors.

8. The optical system of claim 1, further comprising first and second lenses optically coupled to the first and second light pipes, respectively, the first and second lenses configured to move toward and away from the first and second light pipes along an optical axis of the optical system to control a beam angle of the optical system.

9. A luminaire comprising:

a plurality of light-emitting diode (LED) die sets, each LED die set comprising a plurality of LED dies, the

LED dies of at least one LED die set of the plurality of LED die sets emitting light beams of a plurality of colors corresponding to the plurality of LED dies;

a plurality of light pipes corresponding to the plurality of LED die sets; and

a plurality of light pipe holders corresponding to the plurality of light pipes, each light pipe holder configured to hold a corresponding one of the plurality of light pipes in a position optically coupled to a corresponding one of the plurality of LED die sets,

the light pipe corresponding to the at least one LED die set comprising an output face, an input face configured to receive a light beam, and a body extending from the input face to the output face, a cross-section of the body rotating along a central axis extending between the input face and the output face.

10. The luminaire of claim 9, wherein the plurality of LED die sets and the corresponding plurality of light pipes are arranged in an array.

11. The luminaire of claim 10, wherein a first one of the plurality of LED die sets is positioned in a center of the array, a first subset of the remaining ones of the plurality of LED die sets are arranged in a ring around the first LED die set, and a second subset of the remaining ones of the plurality of LED die sets are arranged in a ring around the first subset of LED die sets.

12. The luminaire of claim 10, further comprising a plurality of lenses corresponding to the plurality of light pipes, each lens optically coupled to a corresponding one of the plurality of light pipes, the plurality of lenses arranged in an array corresponding to the array of light pipes.

13. The luminaire of claim 12, wherein the array of lenses is configured to move toward and away from the plurality of light pipes along an optical axis of the luminaire to control a beam angle of a light beam emitted by the luminaire, the luminaire further comprising a mechanical actuator configured to be controlled remotely and to move the array of lenses toward and away from the plurality of light pipes.

14. The luminaire of claim 9, wherein:

the at least one light pipe comprises a first light pipe, the cross-section of the body of the first light pipe rotating by a first amount along the central axis of the first light pipe; and

a cross-section of the body of a second light pipe of the plurality of light pipes rotates along a central axis extending between the input face and the output face of the second light pipe, the body of the second light pipe rotating by a second amount along the central axis of the second light pipe.

15. The luminaire of claim 9, wherein the input face of each of the plurality of light pipes includes an asymmetrical feature and each of the plurality of light pipe holders is configured to hold the corresponding light pipe with the asymmetrical feature of the corresponding light pipe oriented in a same direction as the asymmetrical features of other light pipes of the plurality of light pipes.

16. The luminaire of claim 9, wherein at least one of the plurality of light pipes comprises an output face having a polygonal cross-section with five or more sides.

17. The luminaire of claim 9, further comprising a diffusing optical element configured to homogenize a light beam emitted from at least one of the plurality of light pipes.

18. The luminaire of claim 9, wherein a brightness of one or more of the LED dies of the at least one of the plurality of LED die sets is configured to be controlled remotely.

19. The luminaire of claim 9, wherein the plurality of LED dies of each of the plurality of LED die sets emits light

beams of the same plurality of colors, the LED dies of a first LED die set of the plurality of LED die sets being positioned in a first configuration of colors relative to each other and the LED dies of a second LED die set of the plurality of LED die sets being positioned in a second configuration of colors relative to each other, where the first configuration of colors is different from the second configuration of colors. 5

20. The luminaire of claim **9**, wherein the plurality of LED dies of the at least one LED die set comprises four LED dies emitting red, green, blue, and white light, respectively. 10

* * * * *