

(12) **United States Patent**
Li et al.

(10) **Patent No.:** **US 10,375,785 B2**
(45) **Date of Patent:** **Aug. 6, 2019**

(54) **SYSTEMS AND METHODS FOR STAGE-BASED CONTROL RELATED TO TRIAC DIMMERS**

(71) Applicant: **ON-BRIGHT ELECTRONICS (SHANGHAI) CO., LTD.**, Shanghai (CN)

(72) Inventors: **Zhuoyan Li**, Shanghai (CN); **Liqiang Zhu**, Shanghai (CN); **Xueyou Ling**, Shanghai (CN); **Jun Zhou**, Shanghai (CN); **Lieyi Fang**, Shanghai (CN)

(73) Assignee: **On-Bright Electronics (Shanghai) Co., Ltd.**, Shanghai (CN)

(*) Notice: Subject to any disclaimer, the term of this patent is extended or adjusted under 35 U.S.C. 154(b) by 0 days.

(21) Appl. No.: **15/849,452**

(22) Filed: **Dec. 20, 2017**

(65) **Prior Publication Data**

US 2019/0166667 A1 May 30, 2019

(30) **Foreign Application Priority Data**

Nov. 30, 2017 (CN) 201711235958

(51) **Int. Cl.**

H05B 37/02 (2006.01)

H05B 33/08 (2006.01)

(52) **U.S. Cl.**

CPC **H05B 33/0845** (2013.01); **H05B 33/0815** (2013.01); **H05B 37/0281** (2013.01)

(58) **Field of Classification Search**

None

See application file for complete search history.

(56) **References Cited**

U.S. PATENT DOCUMENTS

3,803,452 A 4/1974 Goldschmied
3,899,713 A 8/1975 Barkan et al.
(Continued)

FOREIGN PATENT DOCUMENTS

CN 1448005 A 10/2003
CN 101657057 A 2/2010
(Continued)

OTHER PUBLICATIONS

China Patent Office, Office Action dated Aug. 28, 2015, in Application No. 201410322602.9.

(Continued)

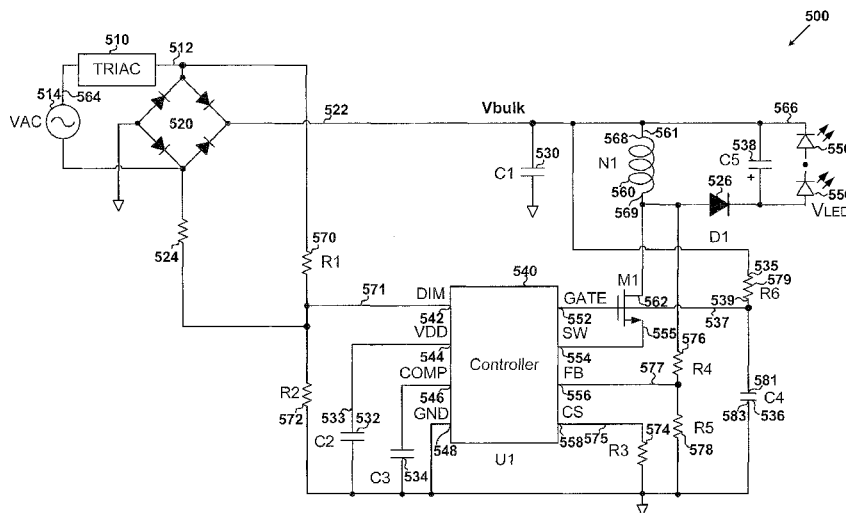
Primary Examiner — Crystal L Hammond

(74) *Attorney, Agent, or Firm* — Faegre Baker Daniels LLP

(57) **ABSTRACT**

System controller and method for a lighting system according to certain embodiments. For example, the system controller includes a first controller terminal configured to receive a first signal, and a second controller terminal coupled to a first transistor terminal of a transistor. The transistor further includes a second transistor terminal and a third transistor terminal. The second transistor terminal is coupled to a first winding terminal of a winding, and the winding further includes a second winding terminal coupled to a capacitor. Additionally, the system controller includes a third controller terminal coupled to the third transistor terminal of the transistor, and a fourth controller terminal coupled to a resistor and configured to receive a second signal. The second signal represents a magnitude of a current flowing through at least the winding, the third controller terminal, the fourth controller terminal, and the resistor.

48 Claims, 11 Drawing Sheets



(56)

References Cited

U.S. PATENT DOCUMENTS

4,253,045	A	2/1981	Weber		2011/0260619	A1	10/2011	Sadwick	
5,144,205	A	9/1992	Motto et al.		2011/0285301	A1	11/2011	Kuang et al.	
5,249,298	A	9/1993	Bolan et al.		2011/0291583	A1	12/2011	Shen	
5,504,398	A	4/1996	Rothenbuhler		2011/0309759	A1	12/2011	Shteynberg	
5,949,197	A	9/1999	Kastner		2012/0001548	A1	1/2012	Recker et al.	
6,218,788	B1	4/2001	Chen et al.		2012/0032604	A1	2/2012	Hontele	
6,229,271	B1	5/2001	Liu		2012/0069616	A1*	3/2012	Kitamura	H05B 33/0815 363/126
6,278,245	B1	8/2001	Li et al.		2012/0080944	A1	4/2012	Recker et al.	
7,038,399	B2	5/2006	Lys et al.		2012/0081009	A1	4/2012	Shteynberg et al.	
7,649,327	B2	1/2010	Peng		2012/0146526	A1	6/2012	Lam et al.	
7,825,715	B1	11/2010	Greenberg		2012/0181944	A1	7/2012	Jacobs et al.	
7,880,400	B2	2/2011	Zhou et al.		2012/0181946	A1	7/2012	Melanson	
7,944,153	B2	5/2011	Greenfeld		2012/0187857	A1	7/2012	Ulmann et al.	
8,134,302	B2	3/2012	Yang et al.		2012/0242237	A1*	9/2012	Chen	H05B 33/0815 315/200 R
8,278,832	B2	10/2012	Hung et al.		2012/0262093	A1	10/2012	Recker et al.	
8,378,583	B2	2/2013	Hying et al.		2012/0268031	A1	10/2012	Zhou et al.	
8,378,588	B2	2/2013	Kuo et al.		2012/0299500	A1	11/2012	Sadwick	
8,378,589	B2	2/2013	Kuo et al.		2012/0299501	A1	11/2012	Kost et al.	
8,415,901	B2	4/2013	Recker et al.		2012/0319604	A1*	12/2012	Walters	H02M 3/1582 315/200 R
8,432,438	B2	4/2013	Ryan et al.		2012/0326616	A1	12/2012	Sumitani et al.	
8,497,637	B2	7/2013	Liu		2013/0009561	A1	1/2013	Briggs	
8,569,956	B2	10/2013	Shteynberg et al.		2013/0020965	A1	1/2013	Kang et al.	
8,644,041	B2	2/2014	Pansier		2013/0026942	A1	1/2013	Ryan et al.	
8,698,419	B2	4/2014	Yan et al.		2013/0026945	A1	1/2013	Ganick et al.	
8,716,882	B2	5/2014	Pettier et al.		2013/0027528	A1	1/2013	Staats et al.	
8,890,440	B2	11/2014	Yan et al.		2013/0034172	A1	2/2013	Pettler et al.	
8,941,324	B2	1/2015	Zhou et al.		2013/0043726	A1*	2/2013	Krishnamoorthy	H05B 33/0845 307/31
9,030,122	B2	5/2015	Yan et al.		2013/0063047	A1	3/2013	Veskovic	
9,084,316	B2	7/2015	Melanson et al.		2013/0154487	A1	6/2013	Kuang et al.	
9,148,050	B2	9/2015	Chiang		2013/0162158	A1*	6/2013	Pollischansky	H05B 33/0815 315/201
9,220,133	B2	12/2015	Salvestrini et al.		2013/0175931	A1	7/2013	Sadwick	
9,220,136	B2	12/2015	Zhang		2013/0181630	A1	7/2013	Taipale et al.	
9,247,623	B2	1/2016	Recker et al.		2013/0193879	A1	8/2013	Sadwick	
9,247,625	B2	1/2016	Recker et al.		2013/0194848	A1	8/2013	Bernardinis et al.	
9,301,349	B2	3/2016	Zhu et al.		2013/0215655	A1	8/2013	Yang et al.	
9,332,609	B1*	5/2016	Rhodes	H05B 33/0815	2013/0223107	A1	8/2013	Zhang et al.	
9,402,293	B2	7/2016	Vaughan et al.		2013/0241427	A1	9/2013	Kesterson et al.	
9,408,269	B2	8/2016	Zhu et al.		2013/0241428	A1	9/2013	Takeda	
9,414,455	B2	8/2016	Zhou et al.		2013/0241441	A1	9/2013	Myers et al.	
9,467,137	B2	10/2016	Eum et al.		2013/0242622	A1	9/2013	Peng	
9,480,118	B2	10/2016	Liao et al.		2013/0307431	A1	11/2013	Zhu et al.	
9,554,432	B2	1/2017	Zhu et al.		2013/0307434	A1	11/2013	Zhang	
9,585,222	B2	2/2017	Zhu et al.		2014/0009082	A1	1/2014	King et al.	
9,655,188	B1*	5/2017	Lewis	H05B 33/0815	2014/0029315	A1	1/2014	Zhang et al.	
9,723,676	B2	8/2017	Ganick et al.		2014/0063857	A1	3/2014	Peng	
9,750,107	B2	8/2017	Zhu et al.		2014/0078790	A1	3/2014	Lin et al.	
9,820,344	B1	11/2017	Papanicolaou		2014/0103829	A1	4/2014	Kang	
9,883,561	B1	1/2018	Liang et al.		2014/0132172	A1	5/2014	Zhu et al.	
9,883,562	B2	1/2018	Zhu et al.		2014/0160809	A1	6/2014	Lin et al.	
9,961,734	B2	6/2018	Zhu et al.		2014/0176016	A1	6/2014	Li et al.	
10,054,271	B2	8/2018	Xiong et al.		2014/0197760	A1	7/2014	Radermacher	
2006/0022648	A1	2/2006	Ben-Yaakov et al.		2014/0265898	A1	9/2014	Del Carmen, Jr. et al.	
2007/0182338	A1	8/2007	Shteynberg et al.		2014/0265935	A1	9/2014	Sadwick	
2007/0182699	A1	8/2007	Ha et al.		2014/0268935	A1	9/2014	Chiang	
2007/0267978	A1	11/2007	Shteynberg et al.		2014/0346973	A1	11/2014	Zhu et al.	
2008/0224629	A1	9/2008	Melanson		2014/0354170	A1	12/2014	Gredler	
2008/0278092	A1	11/2008	Lys et al.		2015/0035450	A1*	2/2015	Werner	H05B 33/0851 315/291
2009/0021469	A1	1/2009	Yeo et al.		2015/0077009	A1	3/2015	Kunimatsu	
2009/0251059	A1	10/2009	Veltman		2015/0091470	A1	4/2015	Zhou et al.	
2010/0141153	A1	6/2010	Recker et al.		2015/0312982	A1	10/2015	Melanson	
2010/0156319	A1	6/2010	Melanson		2015/0312988	A1	10/2015	Liao et al.	
2010/0164406	A1	7/2010	Kost et al.		2015/0333764	A1	11/2015	Pastore et al.	
2010/0176733	A1	7/2010	King		2015/0357910	A1	12/2015	Murakami et al.	
2010/0207536	A1	8/2010	Burdalski		2015/0359054	A1	12/2015	Lin et al.	
2010/0213859	A1	8/2010	Shteynberg		2015/0366010	A1*	12/2015	Mao	H05B 33/0815 315/223
2010/0231136	A1	9/2010	Reisenauer et al.		2016/0014861	A1	1/2016	Zhu et al.	
2011/0037399	A1	2/2011	Hung et al.		2016/0014865	A1	1/2016	Zhu et al.	
2011/0080110	A1	4/2011	Nuhfer et al.		2016/0037604	A1	2/2016	Zhu et al.	
2011/0080111	A1	4/2011	Nuhfer et al.		2016/0119998	A1	4/2016	Linnartz et al.	
2011/0101867	A1*	5/2011	Wang	H05B 33/0818 315/127	2016/0286617	A1*	9/2016	Takahashi	H05B 33/0818
2011/0121744	A1	5/2011	Salvestrini						
2011/0121754	A1	5/2011	Shteynberg						
2011/0133662	A1	6/2011	Yan et al.						
2011/0227490	A1	9/2011	Huynh						

(56)

References Cited

U.S. PATENT DOCUMENTS

2016/0338163	A1	11/2016	Zhu et al.	
2017/0027029	A1	1/2017	Hu et al.	
2017/0064787	A1	3/2017	Liao et al.	
2017/0181235	A1	6/2017	Zhu et al.	
2017/0196063	A1	7/2017	Zhu et al.	
2017/0251532	A1	8/2017	Wang et al.	
2017/0311409	A1	10/2017	Zhu et al.	
2017/0354008	A1*	12/2017	Eum	H02M 1/08
2017/0359880	A1	12/2017	Zhu et al.	
2018/0103520	A1	4/2018	Zhu et al.	
2018/0110104	A1	4/2018	Liang et al.	
2018/0288845	A1	10/2018	Zhu et al.	

FOREIGN PATENT DOCUMENTS

CN	101868090	10/2010	
CN	101896022	A	11/2010
CN	101917804	A	12/2010
CN	101998734	A	3/2011
CN	102014540		4/2011
CN	102014551	A	4/2011
CN	102056378	A	5/2011
CN	102209412	A	10/2011
CN	102300375	A	12/2011
CN	102347607		2/2012
CN	102387634	A	3/2012
CN	103004290		3/2012
CN	102474953		5/2012
CN	102497706		6/2012
CN	202353859	U	7/2012
CN	102695330	A	9/2012
CN	102791056	A	11/2012
CN	102843836	A	12/2012
CN	202632722	U	12/2012
CN	102870497		1/2013
CN	102946674	A	2/2013
CN	103024994	A	4/2013
CN	103260302	A	8/2013
CN	103313472		9/2013
CN	103369802	A	10/2013
CN	103379712	A	10/2013
CN	103547014		1/2014
CN	103716934		4/2014
CN	103858524		6/2014
CN	203675408	U	6/2014
CN	103945614	A	7/2014
CN	103096606	B	12/2014
CN	103781229	B	9/2015
CN	105265019		1/2016
CN	105423140	A	3/2016
CN	105591553	A	5/2016
CN	105873269		8/2016
CN	205812458	U	12/2016
CN	106358337	A	1/2017
CN	106793246	A	5/2017
CN	107046751	A	8/2017
CN	106332374	A	11/2017
EP	2403318	A1	1/2012
JP	2008-010152	A	1/2008
JP	2011-249328	A	12/2011
TW	201215228	A1	9/2010
TW	201125441	A	7/2011
TW	201132241		9/2011
TW	201143530	A	12/2011
TW	201146087	A1	12/2011
TW	201204168	A1	1/2012
TW	201208463	A1	2/2012
TW	201208481	A1	2/2012
TW	201208486		2/2012
TW	201233021	A	8/2012
TW	I 387396		2/2013
TW	201315118	A	4/2013
TW	201322825	A	6/2013
TW	201342987		10/2013
TW	I-422130		1/2014

TW	I 423732		1/2014
TW	201412189	A	3/2014
TW	201414146	A	4/2014
TW	M477115		4/2014
TW	201417626	A	5/2014
TW	201417631		5/2014
TW	201422045		6/2014
TW	201424454	A	6/2014
TW	I 448198		8/2014
TW	201503756	A	1/2015
TW	I 496502	B	8/2015
TW	201603644		1/2016
TW	201630468	A	8/2016
TW	201639415	A	11/2016

OTHER PUBLICATIONS

China Patent Office, Office Action dated Aug. 8, 2015, in Application No. 201410172086.6.

China Patent Office, Office Action dated Mar. 2, 2016, in Application No. 201410172086.6.

China Patent Office, Office Action dated Dec. 14, 2015, in Application No. 201210166672.0.

China Patent Office, Office Action dated Sep. 2, 2016, in Application No. 201510103579.9.

China Patent Office, Office Action dated Jul. 7, 2014, in Application No. 201210468505.1.

China Patent Office, Office Action dated Jun. 3, 2014, in Application No. 201110103130.4.

China Patent Office, Office Action dated Jun. 30, 2015, in Application No. 201410171893.6.

China Patent Office, Office Action dated Nov. 15, 2014, in Application No. 201210166672.0.

China Patent Office, Office Action dated Oct. 19, 2015, in Application No. 201410322612.2.

China Patent Office, Office Action dated Mar. 22, 2016, in Application No. 201410322612.2.

Taiwan Intellectual Property Office, Office Action dated Jan. 7, 2014, in Application No. 100119272.

Taiwan Intellectual Property Office, Office Action dated Jun. 9, 2014, in Application No. 101124982.

Taiwan Intellectual Property Office, Office Action dated Nov. 13, 2015, in Application No. 103141628.

Taiwan Intellectual Property Office, Office Action dated Sep. 17, 2015, in Application No. 103127108.

Taiwan Intellectual Property Office, Office Action dated Sep. 17, 2015, in Application No. 103127620.

Taiwan Intellectual Property Office, Office Action dated Sep. 25, 2014, in Application No. 101148716.

Taiwan Intellectual Property Office, Office Action dated Apr. 18, 2016, in Application No. 103140989.

Taiwan Intellectual Property Office, Office Action dated Aug. 23, 2017, in Application No. 106103535.

United States Patent and Trademark Office, Office Action dated Dec. 17, 2015, in U.S. Appl. No. 14/459,167.

United States Patent and Trademark Office, Office Action dated Sep. 6, 2016, in U.S. Appl. No. 14/459,167.

United States Patent and Trademark Office, Office Action dated Jun. 27, 2017, in U.S. Appl. No. 14/459,167.

United States Patent and Trademark Office, Notice of Allowance dated Dec. 26, 2017, in U.S. Appl. No. 14/459,167.

United States Patent and Trademark Office, Office Action dated Aug. 29, 2017, in U.S. Appl. No. 15/158,237.

United States Patent and Trademark Office, Notice of Allowance dated Apr. 21, 2017, in U.S. Appl. No. 15/364,100.

United States Patent and Trademark Office, Notice of Allowance dated Jul. 27, 2017, in U.S. Appl. No. 15/364,100.

United States Patent and Trademark Office, Notice of Allowance dated Nov. 1, 2017, in U.S. Appl. No. 15/364,100.

United States Patent and Trademark Office, Office Action dated Apr. 20, 2017, in U.S. Appl. No. 15/263,080.

United States Patent and Trademark Office, Office Action dated Sep. 12, 2017, in U.S. Appl. No. 15/263,080.

(56)

References Cited

OTHER PUBLICATIONS

United States Patent and Trademark Office, Office Action dated Jun. 1, 2017, in U.S. Appl. No. 15/372,324.
United States Patent and Trademark Office, Office Action dated Dec. 13, 2017, in U.S. Appl. No. 15/372,324.
United States Patent and Trademark Office, Notice of Allowance dated Jul. 13, 2017, in U.S. Appl. No. 15/403,520.
United States Patent and Trademark Office, Notice of Allowance dated Oct. 10, 2017, in U.S. Appl. No. 15/403,520.
United States Patent and Trademark Office, Office Action dated Oct. 3, 2017, in U.S. Appl. No. 15/649,586.
United States Patent and Trademark Office, Office Action dated Oct. 3, 2017, in U.S. Appl. No. 15/649,566.
United States Patent and Trademark Office, Notice of Allowance dated Mar. 23, 2018, in U.S. Appl. No. 15/158,237.
United States Patent and Trademark Office, Notice of Allowance dated Jan. 30, 2018, in U.S. Appl. No. 15/263,080.
United States Patent and Trademark Office, Notice of Allowance dated Jun. 4, 2018, in U.S. Appl. No. 15/263,080.
United States Patent and Trademark Office, Office Action dated Feb. 16, 2018, in U.S. Appl. No. 15/836,478.
United States Patent and Trademark Office, Office Action dated Jul. 30, 2018, in U.S. Appl. No. 15/836,478.
United States Patent and Trademark Office, Notice of Allowance dated May 23, 2018, in U.S. Appl. No. 15/649,586.
United States Patent and Trademark Office, Office Action dated May 11, 2018, in U.S. Appl. No. 15/649,566.
United States Patent and Trademark Office, Office Action dated Mar. 6, 2018, in U.S. Appl. No. 15/836,461.
United States Patent and Trademark Office, Office Action dated Aug. 3, 2018, in U.S. Appl. No. 15/372,324.
Taiwan Intellectual Property Office, Office Action dated Feb. 27, 2018, in Application No. 106136242.
Taiwan Intellectual Property Office, Office Action dated Feb. 6, 2018, in Application No. 106130686.

United States Patent and Trademark Office, Notice of Allowance dated Oct. 19, 2018, in U.S. Appl. No. 15/158,237.
United States Patent and Trademark Office, Notice of Allowance dated Oct. 24, 2018, in U.S. Appl. No. 15/649,586.
United States Patent and Trademark Office, Office Action dated Nov. 2, 2018, in U.S. Appl. No. 15/836,461.
United States Patent and Trademark Office, Office Action dated Oct. 3, 2018, in Appl. No. 15/934,460.
United States Patent and Trademark Office, Notice of Allowance dated Oct. 3, 2018, in Appl. No. 15/263,080.
United States Patent and Trademark Office, Notice of Allowance dated Sep. 24, 2018, in Appl. No. 15/836,478.
China Patent Office, Office Action dated Nov. 29, 2018, in Application No. 201710828263.5.
China Patent Office, Office Action dated Dec. 3, 2018, in Application No. 201710557179.4.
Taiwan Intellectual Property Office, Office Action dated Jan. 14, 2019, in Application No. 107107508.
United States Patent and Trademark Office, Notice of Allowance dated Jan. 7, 2019, in U.S. Appl. No. 15/372,324.
United States Patent and Trademark Office, Notice of Allowance dated Dec. 27, 2018, in U.S. Appl. No. 15/649,566.
United States Patent and Trademark Office, Office Action dated Jan. 11, 2019, in U.S. Appl. No. 16/009,727.
United States Patent and Trademark Office, Notice of Allowance dated Nov. 30, 2018, in U.S. Appl. No. 15/263,080.
United States Patent and Trademark Office, Notice of Allowance dated Dec. 3, 2018, in U.S. Appl. No. 15/836,478.
United States Patent and Trademark Office, Notice of Allowance dated Apr. 4, 2019, in U.S. Appl. No. 15/836,461.
United States Patent and Trademark Office, Office Action dated Apr. 17, 2019 in U.S. Appl. No. 16/119,952.
Taiwan Intellectual Property Office, Office Action dated May 28, 2019, in Application No. 107112306.
United States Patent and Trademark Office, Notice of Allowance dated May 30, 2019, in U.S. Appl. No. 16/009,727.

* cited by examiner

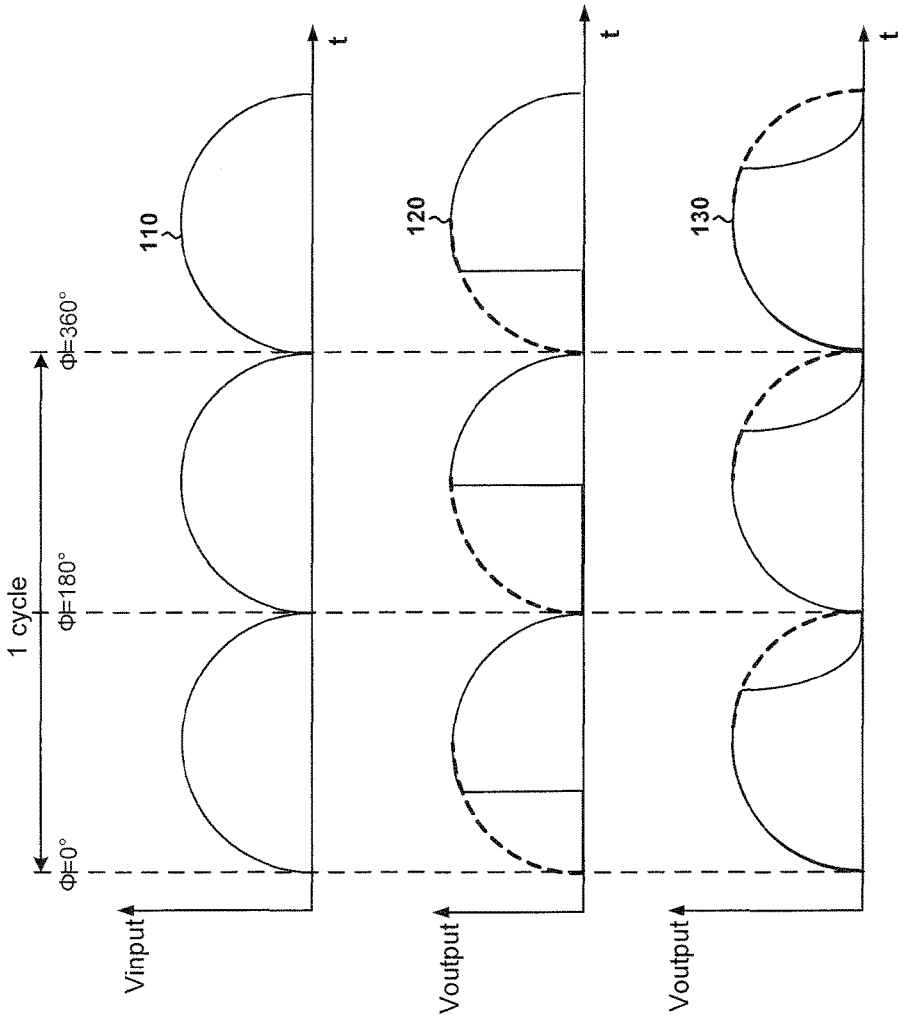


Figure 1
Prior Art

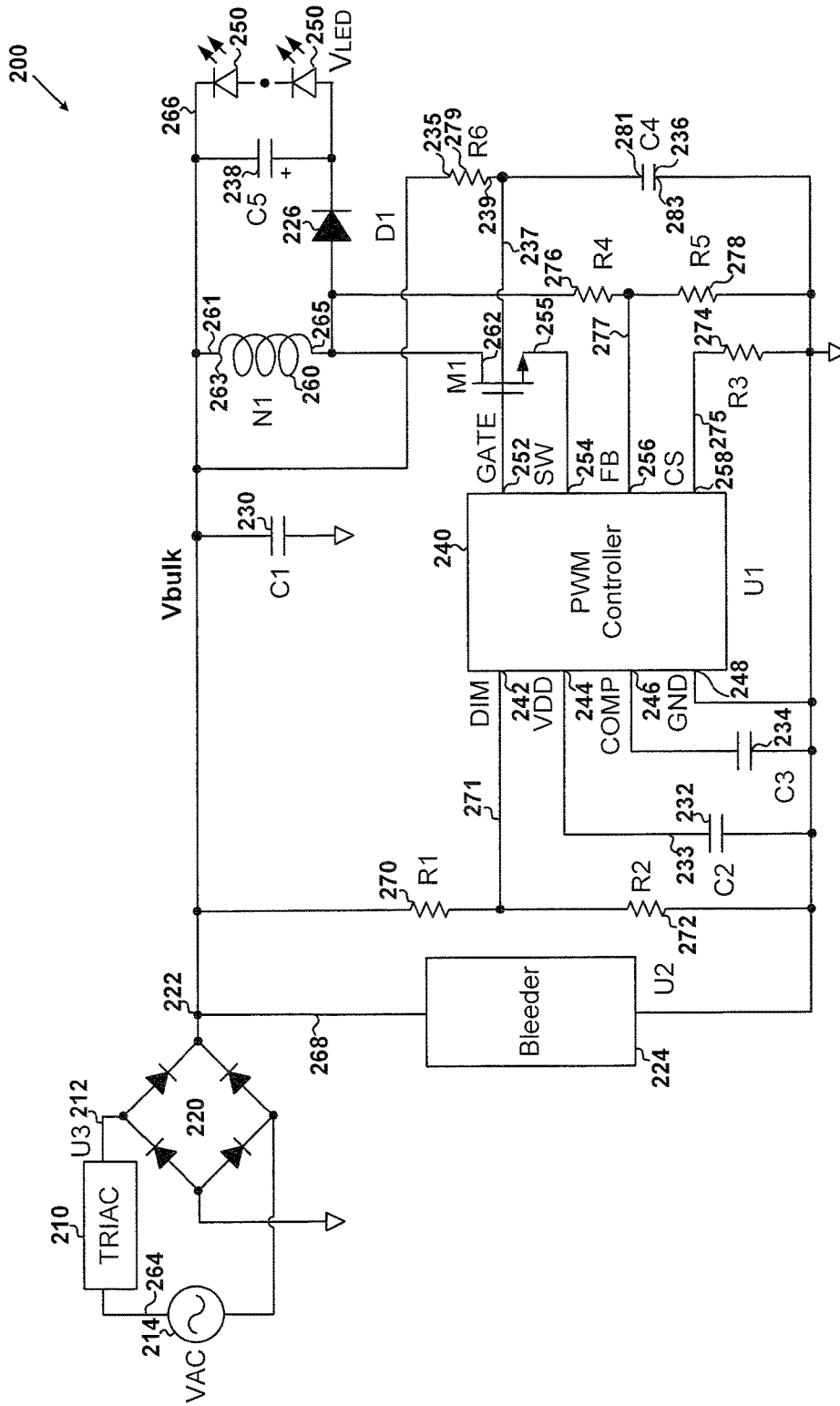


Figure 2
Prior Art

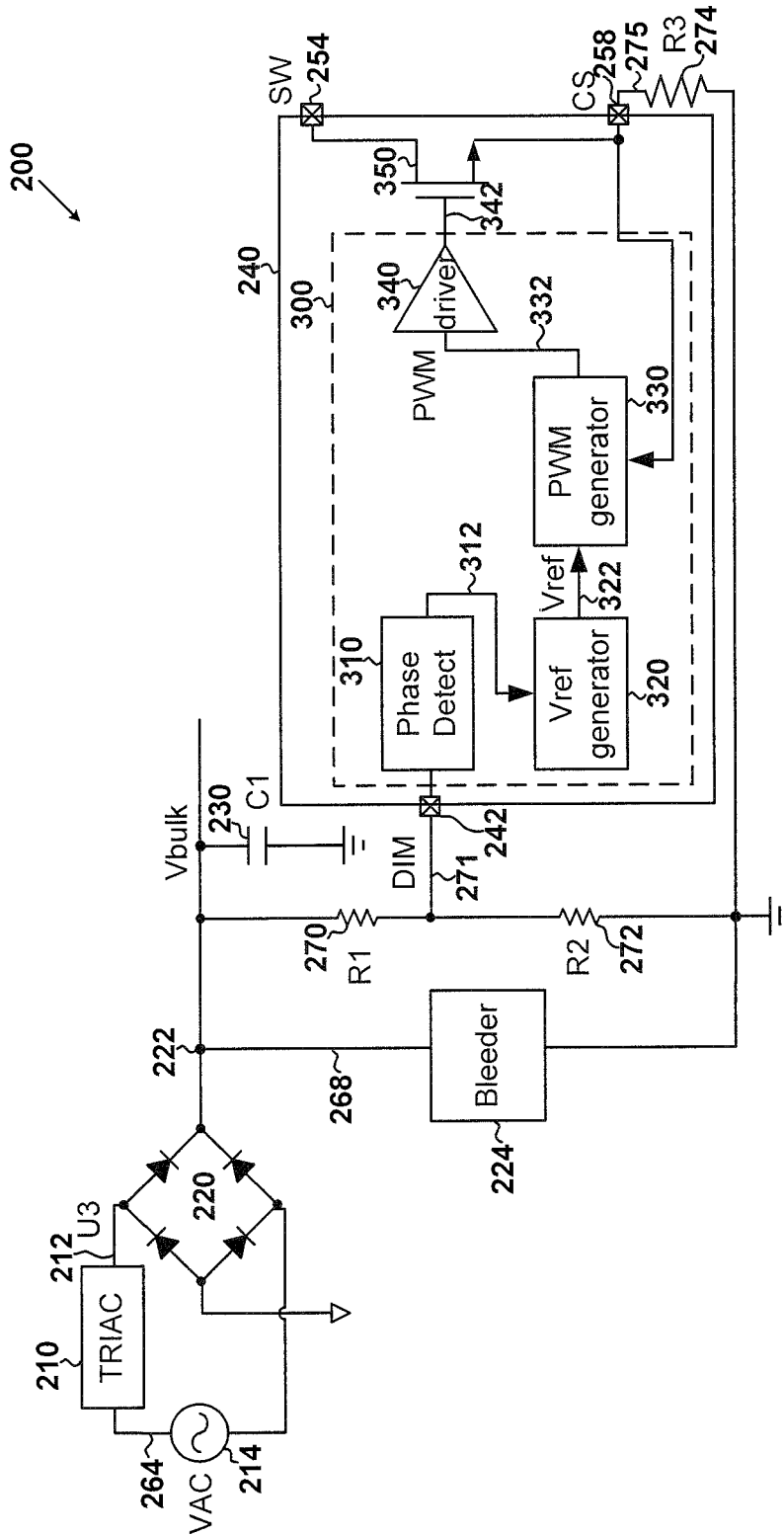


Figure 3
Prior Art

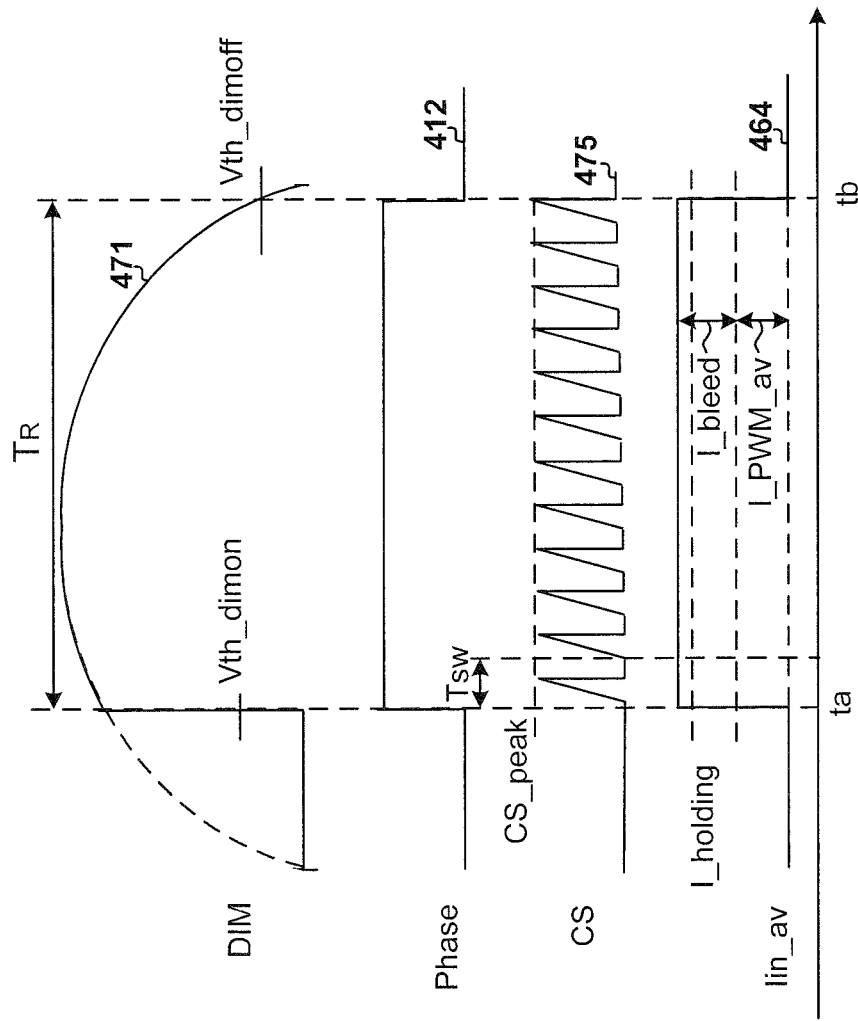


Figure 4
Prior Art

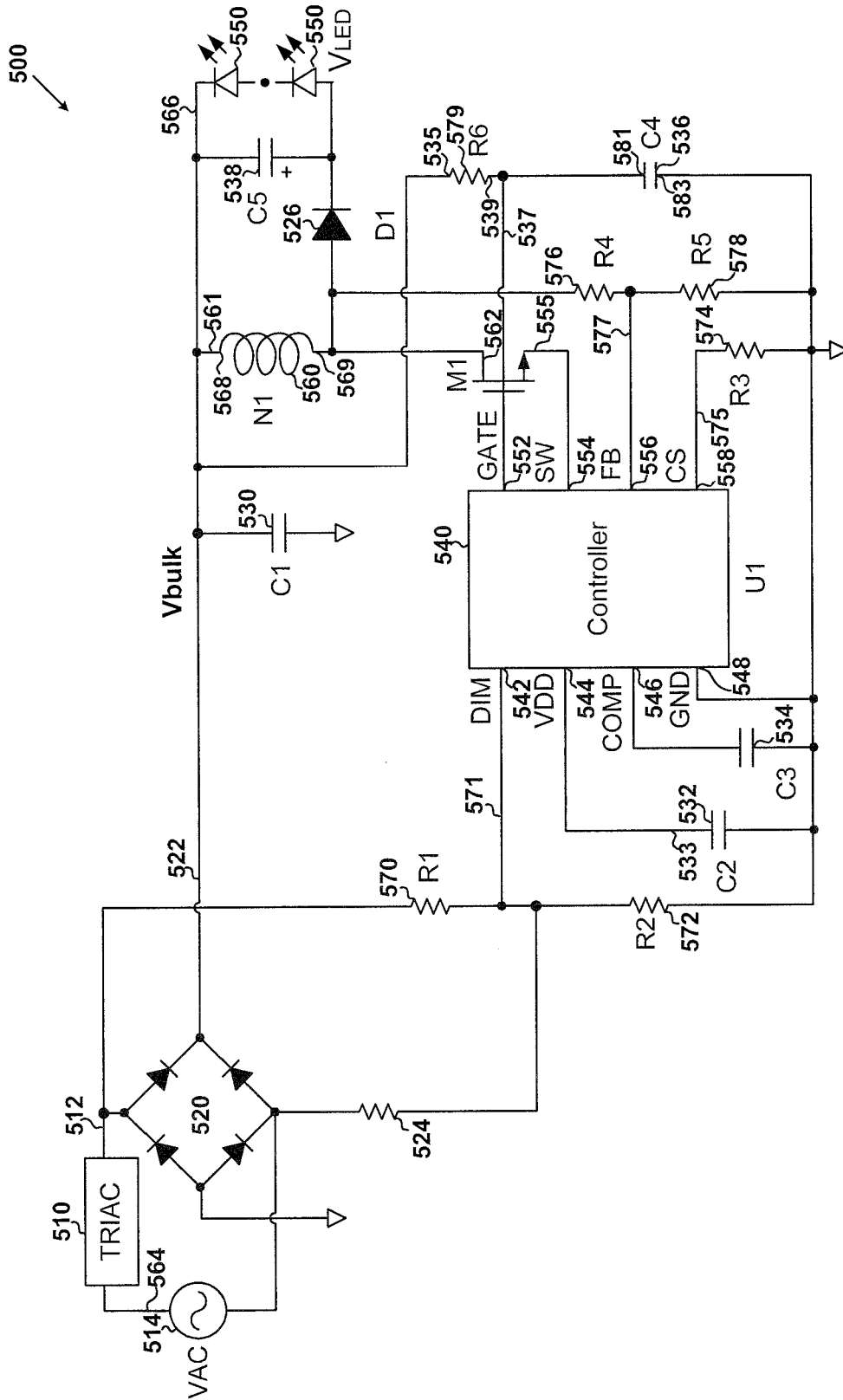


Figure 5

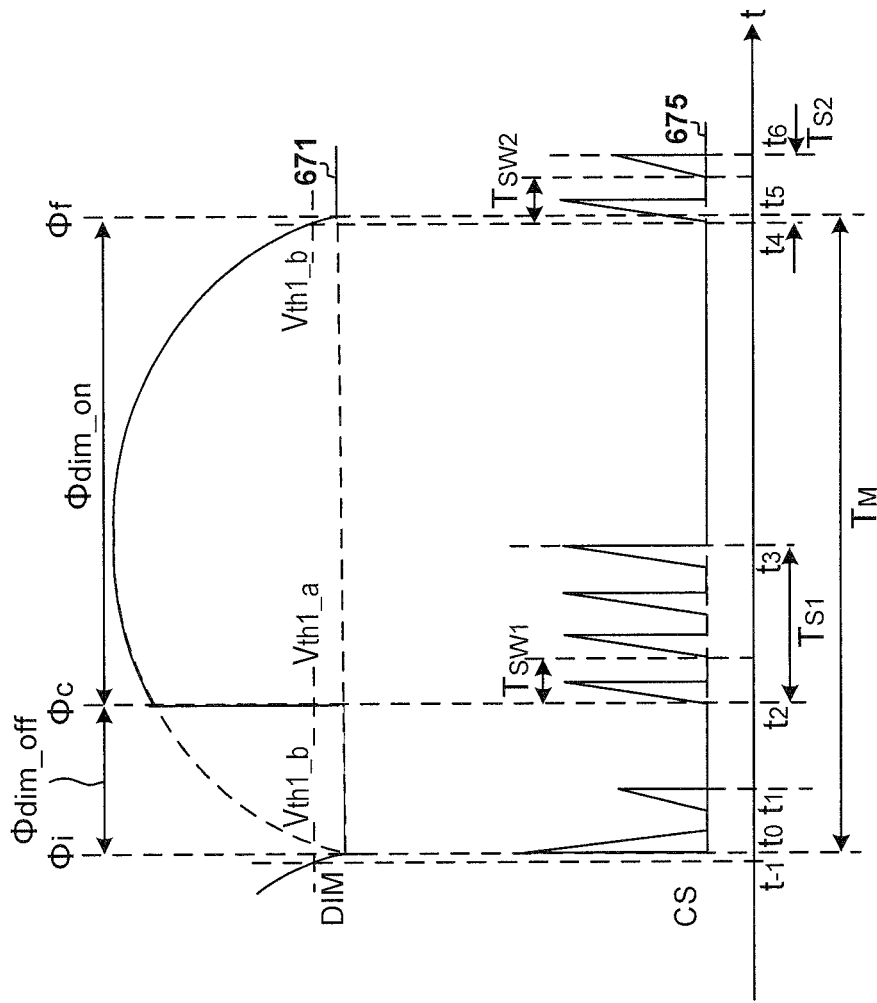


Figure 6A

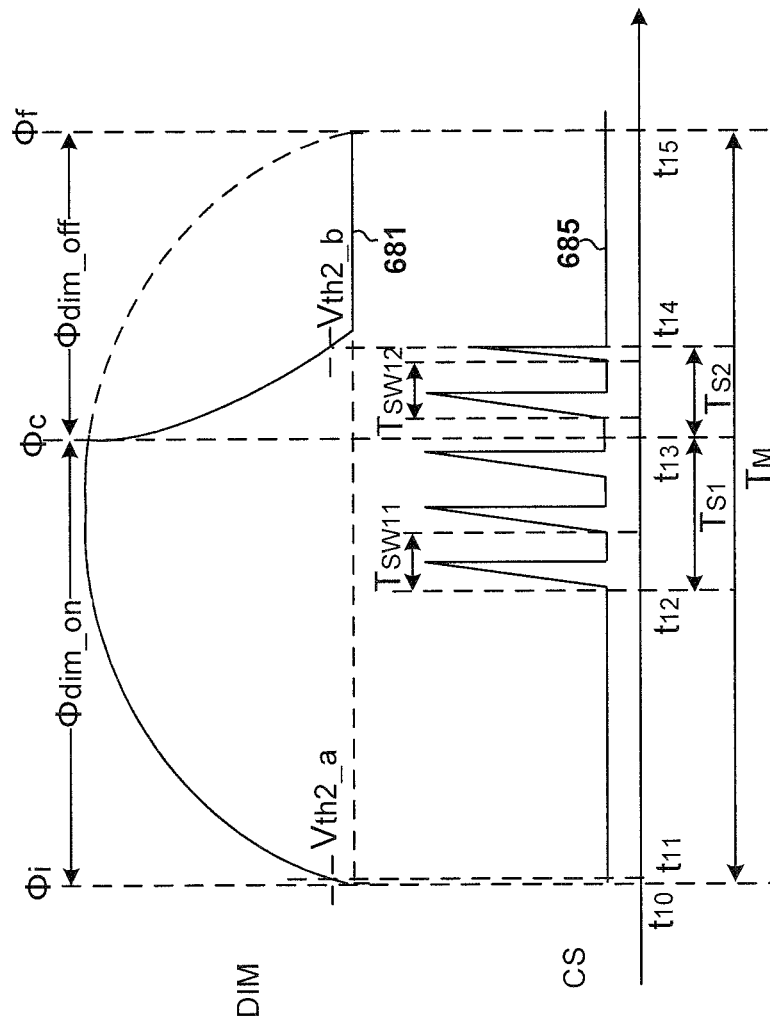


Figure 6B

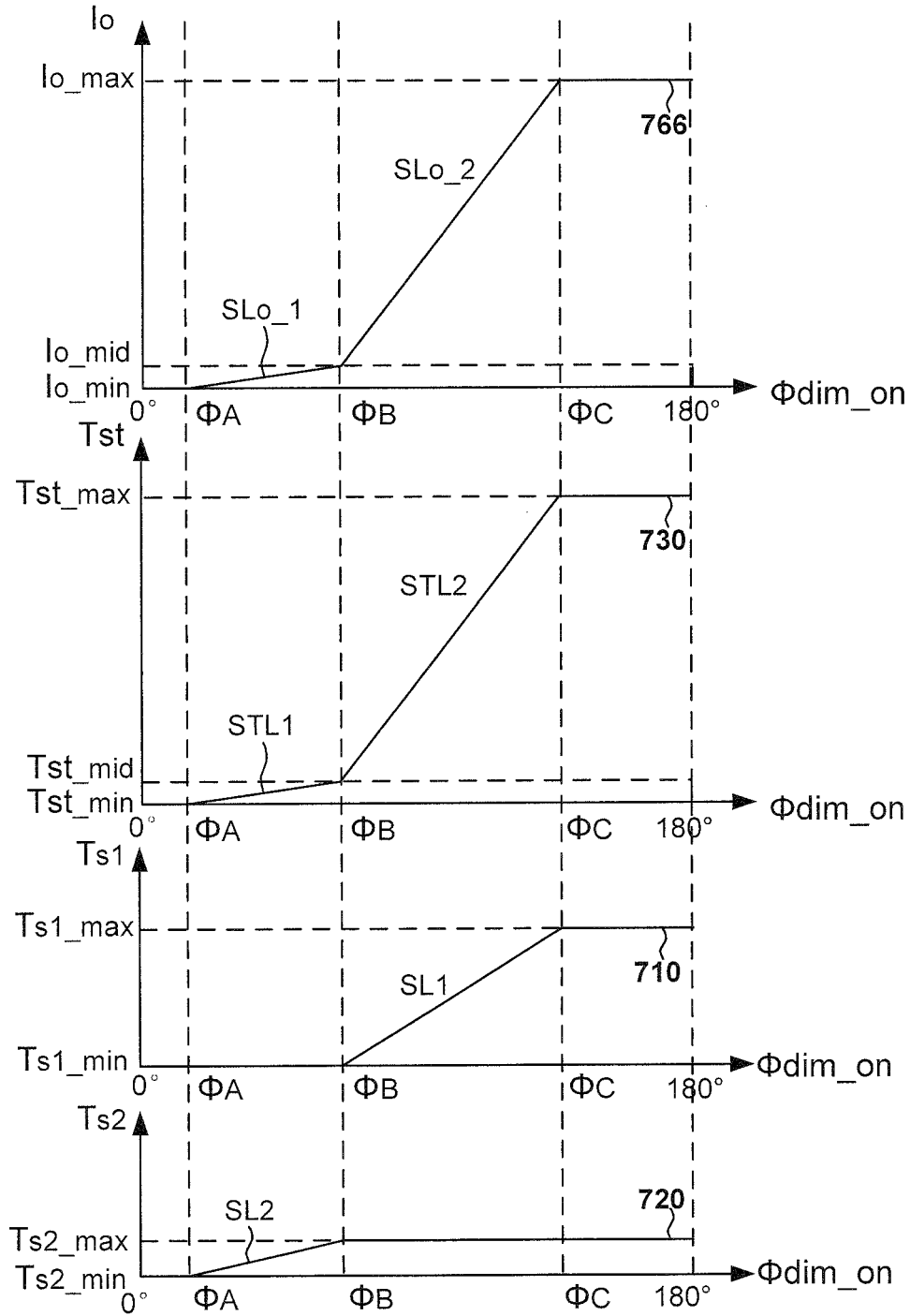


Figure 7

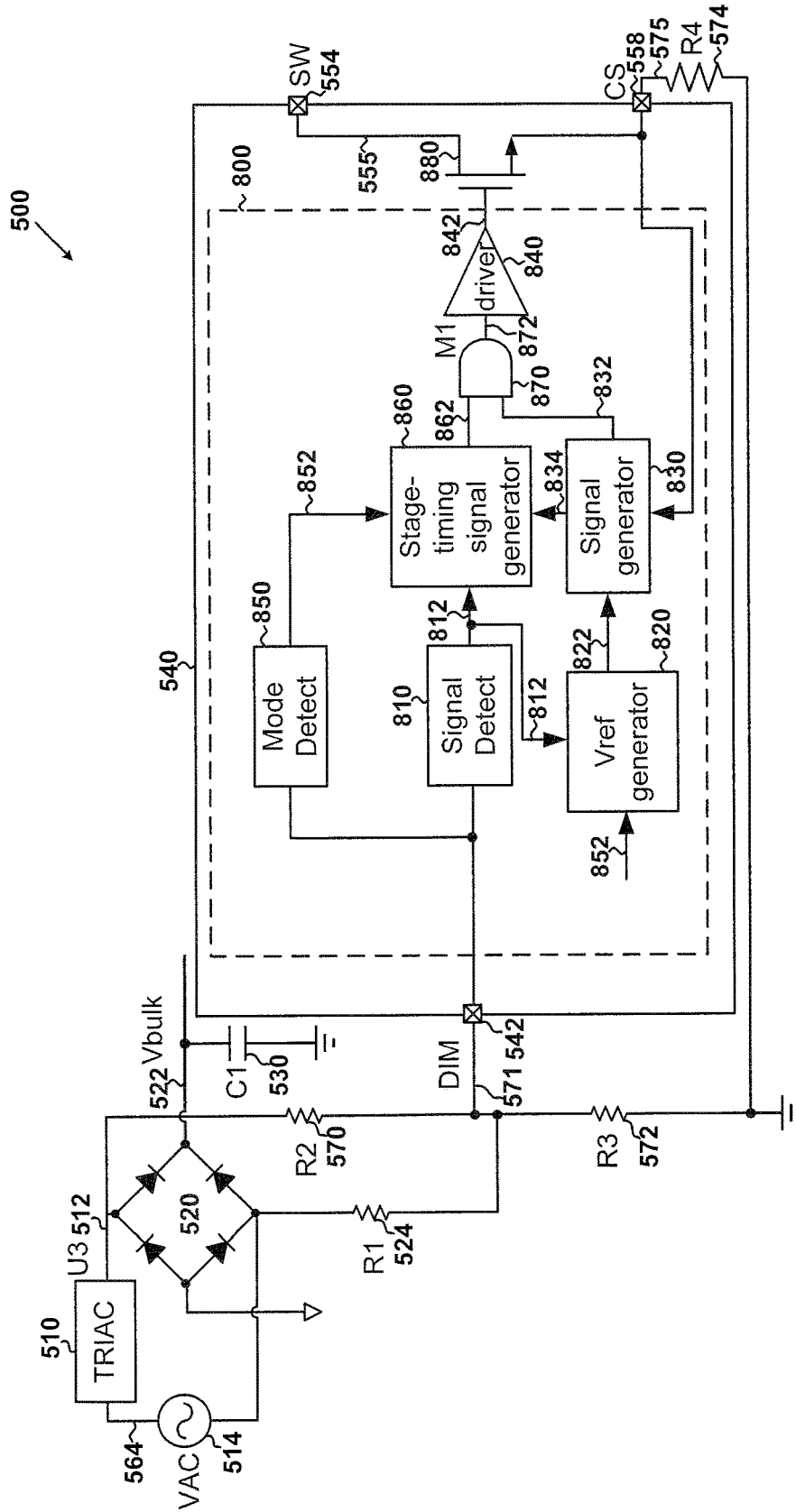


Figure 8

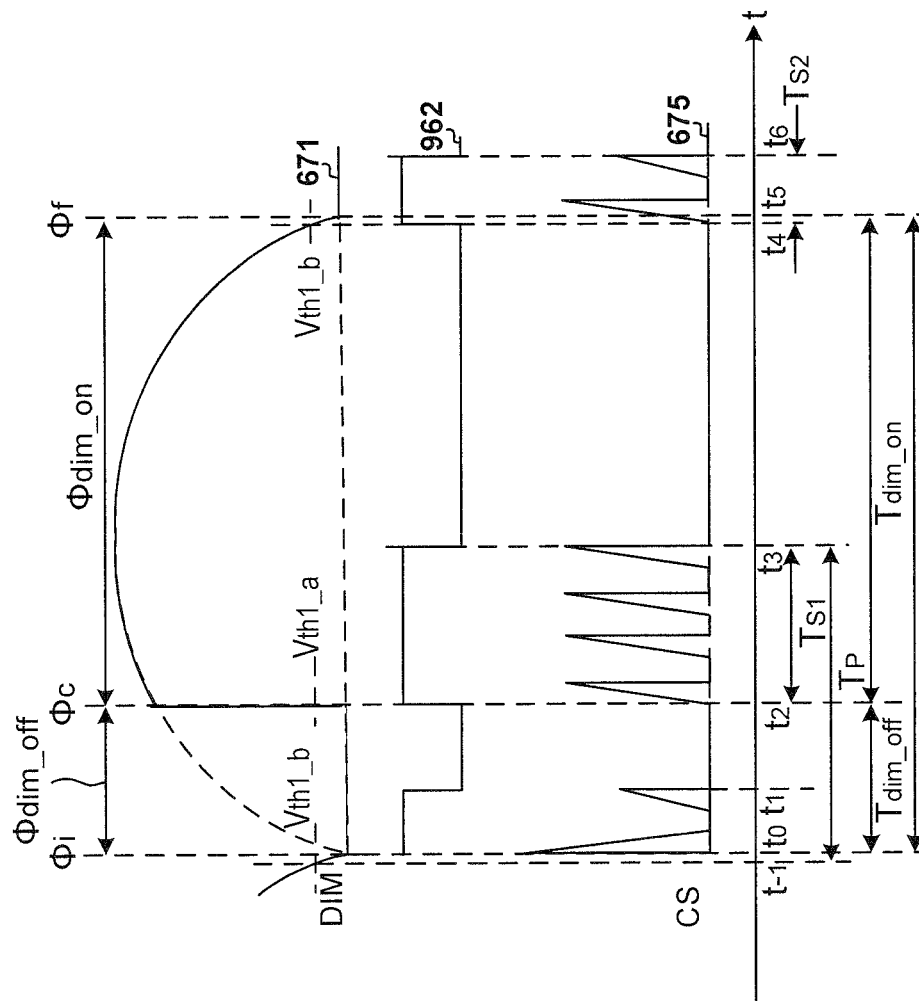


Figure 9A

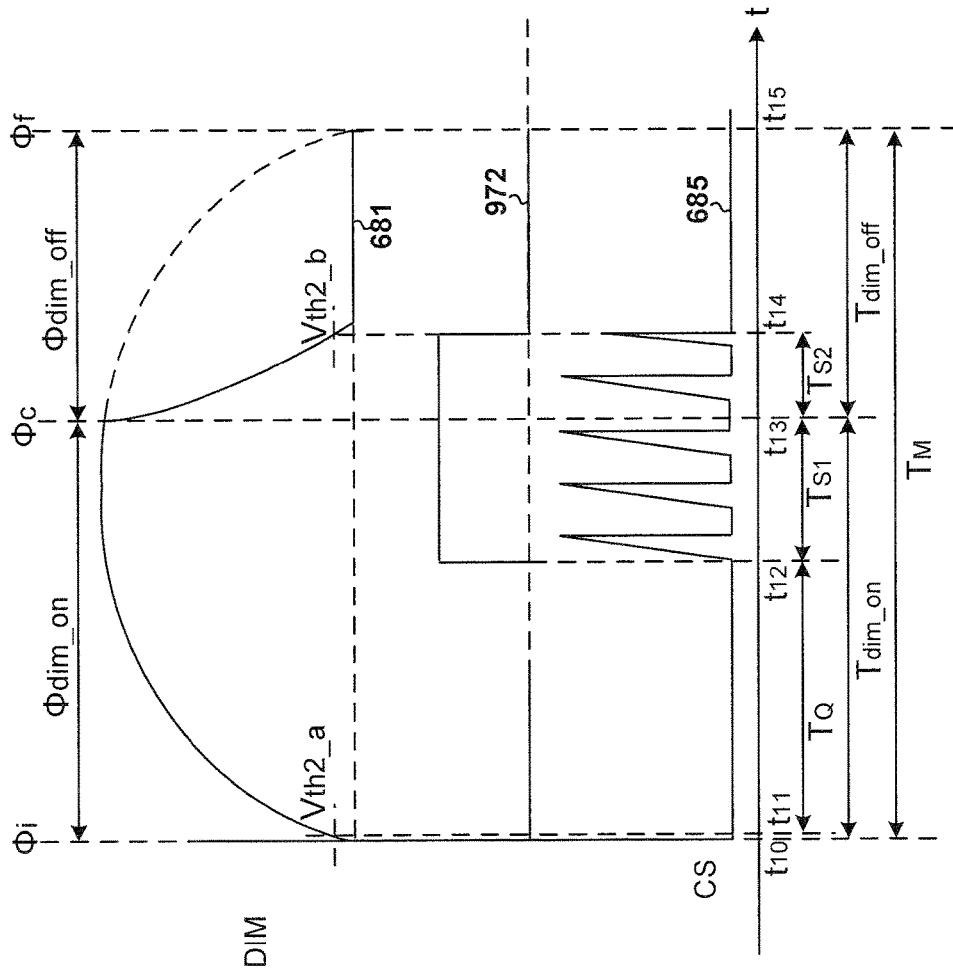


Figure 9B

SYSTEMS AND METHODS FOR STAGE-BASED CONTROL RELATED TO TRIAC DIMMERS

1. CROSS-REFERENCES TO RELATED APPLICATIONS

This application claims priority to Chinese Patent Application No. 201711235958.9, filed Nov. 30, 2017, incorporated by reference herein for all purposes.

Additionally, this application is related to U.S. patent application Ser. Nos. 15/364,100, 14/593,734 and 14/451,656, all of which are incorporated by reference herein for all purposes.

2. BACKGROUND OF THE INVENTION

Certain embodiments of the present invention are directed to integrated circuits. More particularly, some embodiments of the invention provide a system and method for stage-based control related to TRIAC dimmer. Merely by way of example, some embodiments of the invention have been applied to driving one or more light emitting diodes (LEDs). But it would be recognized that the invention has a much broader range of applicability.

A conventional lighting system may include or may not include a TRIAC dimmer that is a dimmer including a Triode for Alternating Current (TRIAC). For example, the TRIAC dimmer is either a leading-edge TRIAC dimmer or a trailing-edge TRIAC dimmer. Often, the leading-edge TRIAC dimmer and the trailing-edge TRIAC dimmer are configured to receive an alternating-current (AC) input voltage, process the AC input voltage by clipping part of the waveform of the AC input voltage, and generate a voltage that is then received by a rectifier (e.g., a full wave rectifying bridge) in order to generate a rectified output voltage.

FIG. 1 shows certain conventional timing diagrams for a leading-edge TRIAC dimmer and a trailing-edge TRIAC dimmer. The waveforms **110**, **120**, and **130** are merely examples. Each of the waveforms **110**, **120**, and **130** represents a rectified output voltage as a function of time that is generated by a rectifier. For the waveform **110**, the rectifier receives an AC input voltage without any processing by a TRIAC dimmer. For the waveform **120**, an AC input voltage is received by a leading-edge TRIAC dimmer, and the voltage generated by the leading-edge TRIAC dimmer is received by the rectifier, which then generates the rectified output voltage. For the waveform **130**, an AC input voltage is received by a trailing-edge TRIAC dimmer, and the voltage generated by the trailing-edge TRIAC dimmer is received by the rectifier, which then generates the rectified output voltage.

As shown by the waveform **110**, each cycle of the rectified output voltage has, for example, a phase angle (e.g., ϕ) that changes from 0° to 180° and then from 180° to 360° . As shown by the waveform **120**, the leading-edge TRIAC dimmer usually processes the AC input voltage by clipping part of the waveform that corresponds to the phase angle starting at 0° or starting at 180° . As shown by the waveform **130**, the trailing-edge TRIAC dimmer often processes the AC input voltage by clipping part of the waveform that corresponds to the phase angle ending at 180° or ending at 360° .

Various conventional technologies have been used to detect whether or not a TRIAC dimmer has been included in a lighting system, and if a TRIAC dimmer is detected to be included in the lighting system, whether the TRIAC dimmer

is a leading-edge TRIAC dimmer or a trailing-edge TRIAC dimmer. In one conventional technology, a rectified output voltage generated by a rectifier is compared with a threshold voltage V_{th_on} in order to determine a turn-on time period T_{on} . If the turn-on time period T_{on} is approximately equal to the duration of a half cycle of the AC input voltage, no TRIAC dimmer is determined to be included in the lighting system; if the turn-on time period T_{on} is not approximately equal to but is smaller than the duration of a half cycle of the AC input voltage, a TRIAC dimmer is determined to be included in the lighting system. If a TRIAC dimmer is determined to be included in the lighting system, a turn-on voltage slope V_{on_slope} is compared with the threshold voltage slope V_{th_slope} . If the turn-on voltage slope V_{on_slope} is larger than the threshold voltage slope V_{th_slope} , the TRIAC dimmer is determined to be a leading-edge TRIAC dimmer; if the turn-on voltage slope V_{on_slope} is smaller than the threshold voltage slope V_{th_slope} , the TRIAC dimmer is determined to be a trailing-edge TRIAC dimmer.

If a conventional lighting system includes a TRIAC dimmer and light emitting diodes (LEDs), the light emitting diodes may flicker if the current that flows through the TRIAC dimmer falls below a holding current that is, for example, required by the TRIAC dimmer. As an example, if the current that flows through the TRIAC dimmer falls below the holding current, the TRIAC dimmer may turn on and off repeatedly, thus causing the LEDs to flicker. As another example, the various TRIAC dimmers made by different manufacturers have different holding currents ranging from 5 mA to 50 mA.

The light emitting diodes (LEDs) are gradually replacing incandescent lamps and becoming major lighting sources. The LEDs can provide high energy efficiency and long lifetime. The dimming control of LEDs, however, faces significant challenges because of insufficient dimmer compatibility. For certain historical reasons, the TRIAC dimmers often are designed primarily suitable for incandescent lamps, which usually include resistive loads with low lighting efficiency. Such low lighting efficiency of the resistive loads often helps to satisfy the holding-current requirements of TRIAC dimmers. Hence the TRIAC dimmers may work well with the incandescent lamps. In contrast, for highly efficient LEDs, the holding-current requirements of TRIAC dimmers usually are difficult to meet. The LEDs often need less amount of input power than the incandescent lamps for the same level of illumination.

In order to meet the holding-current requirements of the TRIAC dimmers, some conventional techniques use a bleeder for a lighting system. FIG. 2 is a simplified diagram of a conventional lighting system that includes a bleeder. As shown, the conventional lighting system **200** includes a TRIAC dimmer **210**, a rectifier **220**, a bleeder **224**, a diode **226**, capacitors **230**, **232**, **234**, **236** and **238**, a pulse-width-modulation (PWM) controller **240**, a winding **260**, a transistor **262**, resistors **270**, **272**, **274**, **276**, **278** and **279**, and one or more LEDs **250**. The PWM controller **240** includes controller terminals **242**, **244**, **246**, **248**, **252**, **254** and **258**. For example, the PWM controller **240** is a chip, and each of the controller terminals **242**, **244**, **246**, **248**, **252**, **254**, **256** and **258** is a pin. In yet another example, the winding **260** includes winding terminals **263** and **265**.

The TRIAC dimmer **210** receives an AC input voltage **214** (e.g., VAC) and generates a voltage **212**. The voltage **212** is received by the rectifier **220** (e.g., a full wave rectifying bridge), which then generates a rectified output voltage **222**. The rectified output voltage **222** is larger than or equal to zero. The resistor **279** includes resistor terminals **235** and

239, and the capacitor 236 includes capacitor terminals 281 and 283. The resistor terminal 235 receives the rectified output voltage 222. The resistor terminal 239 is connected to the capacitor terminal 281, the controller terminal 252, and a gate terminal of the transistor 262. The gate terminal of the transistor 262 receives a gate voltage 237 from the resistor terminal 239, the capacitor terminal 281, and the controller terminal 252. The capacitor terminal 283 receives a ground voltage.

As shown in FIG. 2, the rectified output voltage 222 is used to charge the capacitor 236 through the resistor 279 to raise the gate voltage 237. In response, if the result of the gate voltage 237 minus a source voltage at a source terminal of the transistor 262 reaches or exceeds a transistor threshold voltage, the transistor 262 is turned on. When the transistor 262 is turned on, through the transistor 262 and the controller terminal 254, a current flows into the PWM controller 240 and uses an internal path to charge the capacitor 232. In response, the capacitor 232 generates a capacitor voltage 233, which is received by the controller terminal 244. If the capacitor voltage 233 reaches or exceeds an undervoltage-lockout threshold of the PWM controller 240, the PWM controller 240 starts up.

After the PWM controller 240 has started up, a pulse-width-modulation (PWM) signal 255 is generated. The PWM signal 255 has a signal frequency and a duty cycle. The PWM signal 255 is received by the source terminal of the transistor 262 through the terminal 254. The transistor 262 is turned on and off, in order to make an output current 266 constant and provide the output current 266 to the one or more LEDs 250, by working with at least the capacitor 238.

As shown in FIG. 2, a drain voltage at a drain terminal of the transistor 262 is received by a voltage divider that includes the resistors 276 and 278. The drain terminal of the transistor 262 is connected to the winding terminal 265 of the winding 260, and the winding terminal 263 of the winding 260 is connected to the capacitor 230 and the resistor 279. In response, the voltage divider generates a voltage 277, which is received by the controller terminal 256. The PWM controller 240 uses the voltage 277 to detect the end of a demagnetization process of the winding 260. The detection of the end of the demagnetization process is used to control an internal error amplifier of the PWM controller 240, and through the controller terminal 246, to control charging and discharging of the capacitor 234.

Also, after the PWM controller 240 has started up, the resistor 274 is used to detect a current 261, which flows through the winding 260. The current 261 flows from the winding 260 through the resistor 274, which in response generates a sensing voltage 275. The sensing voltage 275 is received by the PWM controller 240 at the controller terminal 258, and is processed by the PWM controller 240 on a cycle-by-cycle basis. The peak magnitude of the sensing voltage 275 is sampled, and the sampled signal is sent to an input terminal of the internal error amplifier of the PWM controller 240. The other input terminal of the internal error amplifier receives a reference voltage V_{ref} .

As shown in FIG. 2, the rectified output voltage 222 is received by a voltage divider that includes the resistors 270 and 272. In response, the voltage divider generates a voltage 271, which is received by the controller terminal 242. The PWM controller 240 processes the voltage 271 and determines phase angle of the voltage 271. Based on the detected range of phase angle of the voltage 271, the PWM controller 240 adjusts the reference voltage V_{ref} which is received by the internal error amplifier.

The bleeder 224 is used to ensure that, when the TRIAC dimmer 210 is fired on, an input current 264 that flows through the TRIAC dimmer 210 is larger than a holding current required by the TRIAC dimmer 210, in order to avoid misfire of the TRIAC dimmer 210 and also avoid flickering of the one or more LEDs 250. For example, the bleeder 224 includes a resistor, which receives the rectified output voltage 222 at one resistor terminal of the resistor and receives the ground voltage at the other resistor terminal of the resistor. The resistor of the bleeder 224 allows a bleeder current 268 to flow through as at least part of the input current 264. In another example, if the holding current required by the TRIAC dimmer 210 is small and if the average current that flows through the transistor 262 can satisfy the holding current requirement of the TRIAC dimmer 210, the bleeder 224 is not activated or is simply removed.

As shown in FIG. 2, the lighting system 200 includes, for example, a quasi-resonant system with a buck-boost topology. The output current 266 of the quasi-resonant system is received by the one or more LEDs 250 and is determined as follows:

$$I_o = \frac{1}{2} \times \frac{V_{ref}}{R_{cs}} \quad (\text{Equation 1})$$

where I_o represents the output current 266 of the quasi-resonant system of the lighting system 200. Additionally, V_{ref} represents the reference voltage received by the internal error amplifier of the PWM controller 240. Moreover, R_{cs} represents the resistance of the resistor 274.

FIG. 3 is a simplified diagram showing certain conventional components of the lighting system 200 as shown in FIG. 2. The pulse-width-modulation (PWM) controller 240 includes a dimming control component 300 and a transistor 350. The dimming control component 300 includes a phase detector 310, a reference voltage generator 320, a pulse-width-modulation (PWM) signal generator 330, and a driver 340.

FIG. 4 shows certain conventional timing diagrams for the lighting system 200 as shown in FIGS. 2 and 3. The waveform 471 represents the voltage 271 as a function of time, the waveform 412 represents the phase signal 312 as a function of time, the waveform 475 represents the sensing voltage 275 as a function of time, and the waveform 464 represents cycle-by-cycle average of the input current 264 as a function of time.

As shown by FIGS. 3 and 4, the lighting system 200 uses a closed loop to perform dimming control. The phase detector 310 receives the voltage 271 through the terminal 242, detects phase angle of the voltage 271, and generates a phase signal 312 that indicates the detected range of phase angle of the voltage 271. As shown by the waveform 471, the voltage 271 becomes larger than a dim-on threshold voltage (e.g., V_{th_dimon}) at time t_a and becomes smaller than a dim-off threshold voltage (e.g., V_{th_dimoff}) at time t_b . The dim-on threshold voltage (e.g., V_{th_dimon}) is equal to or different from the dim-off threshold voltage (e.g., V_{th_dimoff}). The time duration from time t_a to time t_b is represented by T_R , during which the phase signal 312 is at the logic high level, as shown by the waveform 412. The time duration T_R represents the detected range of phase angle of the voltage 271.

During the time duration T_R , the sensing voltage 275 ramps up and down. For example, during the time duration

T_R , within a switching period (e.g., T_{SW}), the sensing voltage 275 ramps up, ramps down, and then remains constant (e.g., remains equal to zero) until the end of the switching period (e.g., until the end of T_{SW}).

The phase signal 312 is received by the reference voltage generator 320, which uses the detected range of phase angle of the voltage 271 to generate the reference voltage 322 (e.g., V_{ref}). As shown in FIG. 3, the reference voltage 322 (e.g., V_{ref}) is received by the PWM signal generator 330. For example, the PWM signal generator 330 includes the internal error amplifier of the PWM controller 240. In another example, the PWM signal generator 330 also receives the sensing voltage 275 and generates a pulse-width-modulation (PWM) signal 332. The PWM signal 332 is received by the driver 340, which in response generates a drive signal 342 and outputs the drive signal 342 to the transistor 350. The transistor 350 includes a gate terminal, a drain terminal, and a source terminal. The gate terminal of the transistor 350 receives the drive signal 342. The drain terminal of the transistor 350 is coupled to the controller terminal 254, and the source terminal of the transistor 350 is coupled to the controller terminal 258.

As shown by the waveform 475, the reference voltage 322 (e.g., V_{ref}) is used by the PWM signal generator 330 to generate the PWM signal 332, which is then used to control the peak magnitude (e.g., CS_{peak}) of the sensing voltage 275 for each PWM cycle during the time duration T_R . For example, each PWM cycle corresponds to a time duration that is equal to the switching period (e.g., T_{SW}) in magnitude. In another example, if the detected range of phase angle of the voltage 271 (e.g., corresponding to T_R) becomes larger, the reference voltage 322 (e.g., V_{ref}) also becomes larger. In yet another example, if the detected range of phase angle of the voltage 271 (e.g., corresponding to T_R) becomes smaller, the reference voltage 322 (e.g., V_{ref}) also becomes smaller.

According to Equation 1, if the reference voltage 322 (e.g., V_{ref}) becomes larger, the output current 266 (e.g., I_o) of the quasi-resonant system of the lighting system 200 also becomes larger; if the reference voltage 322 (e.g., V_{ref}) becomes smaller, the output current 266 (e.g., I_o) of the quasi-resonant system of the lighting system 200 also becomes smaller.

As shown by FIG. 2, the cycle-by-cycle average of the input current 264 is approximately equal to the sum of cycle-by-cycle average of the output current 266 (e.g., I_o) and the bleeder current 268. During the time duration T_R , within each switching cycle of the PWM signal 332, the output current 266 changes with time, so the average of the output current 266 within each switching cycle is used to determine the cycle-by-cycle average (e.g., $I_{PWM_{av}}$) of the output current 266 as a function of time. When the time duration T_R becomes smaller, the reference voltage 322 (e.g., V_{ref}) also becomes smaller and the one or more LEDs 250 are expected to become dimmer. When the time duration T_R becomes too small, the reference voltage 322 (e.g., V_{ref}) also becomes too small and the cycle-by-cycle average (e.g., $I_{PWM_{av}}$) of the output current 266 during the time duration T_R becomes smaller than the holding current (e.g., $I_{holding}$) required by the TRIAC dimmer 210. In order to avoid misfire of the TRIAC dimmer 210 and also avoid flickering of the one or more LEDs 250, the bleeder current 268 (e.g., I_{bleed}) is provided in order to increase the cycle-by-cycle average of the input current 264 during the time duration T_R . As shown by the waveform 464, the cycle-by-cycle average of the input current 264 during the

time duration T_R becomes larger than the holding current required by the TRIAC dimmer 210.

As shown in FIG. 3, the driver 340 outputs the drive signal 342 to the transistor 350. The transistor 350 is turned on if the drive signal 342 is at a logic high level, and the transistor 350 is turned off if the drive signal 342 is at a logic low level. When the transistor 262 and the transistor 350 are turned on, the current 261 flows through the winding 260, the transistor 262, the controller terminal 254, the transistor 350, the controller terminal 258, and the resistor 274. If the transistor 350 becomes turned off when the transistor 262 is still turned on, the transistor 262 then also becomes turned off and the winding 260 starts to discharge. If the transistor 350 becomes turned on when the transistor 262 is still turned off, the transistor 262 then also becomes turned on and the winding 260 starts to charge.

As shown in FIGS. 2-4, the lighting system 200 uses a closed loop to perform dimming control. For example, the lighting system 200 detects the range of phase angle of the voltage 271, and based on the detected range of phase angle, adjusts the reference voltage V_{ref} that is received by the internal error amplifier of the PWM controller 240. In another example, the lighting system 200 provides energy to the one or more LEDs 250 throughout the entire time period of each switching cycle during the time duration T_R , which corresponds to the unclipped part of the waveform of the AC input voltage 214 (e.g., VAC).

As discussed above, a bleeder (e.g., the bleeder 224) can help a lighting system (e.g., the lighting system 200) to meet the holding-current requirement of a TRIAC dimmer (e.g., the TRIAC dimmer 210) in order to avoid misfire of the TRIAC dimmer (e.g., the TRIAC dimmer 210) and avoid flickering of one or more LEDs (e.g., the one or more LEDs 250). But the bleeder (e.g., the bleeder 224) usually increases heat generation and reduces energy efficiency of the lighting system (e.g., the lighting system 200). Such reduction in energy efficiency usually becomes more severe if a bleeder current (e.g., the bleeder current 268) becomes larger. This reduced energy efficiency often prevents the lighting system (e.g., the lighting system 200) from taking full advantage of high energy efficiency and long lifetime of the one or more LEDs (e.g., the one or more LEDs 250).

Hence it is highly desirable to improve the techniques of dimming control.

3. BRIEF SUMMARY OF THE INVENTION

Certain embodiments of the present invention are directed to integrated circuits. More particularly, some embodiments of the invention provide a system and method for stage-based control related to TRIAC dimmer. Merely by way of example, some embodiments of the invention have been applied to driving one or more light emitting diodes (LEDs). But it would be recognized that the invention has a much broader range of applicability.

According to one embodiment, a system controller for a lighting system includes a first controller terminal configured to receive a first signal, and a second controller terminal coupled to a first transistor terminal of a transistor. The transistor further includes a second transistor terminal and a third transistor terminal. The second transistor terminal is coupled to a first winding terminal of a winding, and the winding further includes a second winding terminal coupled to a capacitor. Additionally, the system controller includes a third controller terminal coupled to the third transistor terminal of the transistor, and a fourth controller terminal coupled to a resistor and configured to receive a second

signal. The second signal represents a magnitude of a current flowing through at least the winding, the third controller terminal, the fourth controller terminal, and the resistor. The system controller is configured to: in response to the first signal becoming larger than a first threshold in magnitude at a first time, cause the second signal to ramp up and down during a first duration of time; and in response to the first signal becoming smaller than a second threshold in magnitude at a third time, cause the second signal to ramp up and down during a second duration of time. The first duration of time starts at the first time and ends at a second time. The second duration of time starts at the third time and ends at a fourth time. The system controller is further configured to cause the second signal to remain equal to a constant magnitude from the second time to the third time. The first time is earlier than the second time, the second time is earlier than the third time, and the third time is earlier than the fourth time.

According to another embodiment, a system controller for a lighting system includes a first controller terminal configured to receive a first signal, and a second controller terminal coupled to a first transistor terminal of a transistor. The transistor further includes a second transistor terminal and a third transistor terminal, and the second transistor terminal is coupled to a winding. Additionally, the system controller further includes a third controller terminal coupled to the third transistor terminal of the transistor, and a fourth controller terminal coupled to a resistor and configured to receive a second signal. The second signal represents a magnitude of a current flowing through at least the winding, the third controller terminal, the fourth controller terminal, and the resistor. The system controller is configured to: in response to the first signal becoming larger than a first threshold in magnitude at a first time, cause the second signal to ramp up and down during a duration of time. The duration of time starts at a second time and ends at a third time. The third time is a time when the first signal becomes smaller than a second threshold in magnitude. The system controller is further configured to cause the second signal to remain equal to a constant magnitude from the first time to the second time. The first time is earlier than the second time, and the second time is earlier than the third time.

According to yet another embodiment, a system controller for a lighting system includes a first controller terminal configured to receive a first signal. The first signal is related to a dimming-control phase angle. Additionally, the system controller includes a second controller terminal coupled to a first transistor terminal of a transistor. The transistor further includes a second transistor terminal and a third transistor terminal, and the second transistor terminal is coupled to a winding. Moreover, the system controller includes a third controller terminal coupled to the third transistor terminal of the transistor, and a fourth controller terminal coupled to a resistor and configured to receive a second signal. The second signal represents a magnitude of a current flowing through at least the winding, the third controller terminal, the fourth controller terminal, and the resistor. The system controller is configured to, in response to the first signal satisfying one or more predetermined conditions: cause the second signal to ramp up and down during a first duration of time; and cause the second signal to ramp up and down during a second duration of time. The first duration of time starts at a first time and ends at a second time, and the second time is the same as or later than the first time. The second duration of time starts at a third time and ends at a fourth time, and the fourth time is the same as or later than the third time. The system controller is further configured to: in

response to the dimming-control phase angle increasing from a first angle magnitude to a second angle magnitude, keep the first duration of time at a first predetermined constant; in response to the dimming-control phase angle increasing from the second angle magnitude to a third angle magnitude, increase the first duration of time; and in response to the dimming-control phase angle increasing from the third angle magnitude to a fourth angle magnitude, keep the first duration of time at a second predetermined constant.

According to yet another embodiment, a system controller for a lighting system includes a first controller terminal configured to receive a first signal. The first signal is related to a dimming-control phase angle. Additionally, the system controller includes a second controller terminal coupled to a first transistor terminal of a transistor. The transistor further includes a second transistor terminal and a third transistor terminal, and the second transistor terminal is coupled to a winding. Moreover, the system controller includes a third controller terminal coupled to the third transistor terminal of the transistor, and a fourth controller terminal coupled to a resistor and configured to receive a second signal. The second signal represents a magnitude of a current flowing through at least the winding, the third controller terminal, the fourth controller terminal, and the resistor. The system controller is configured to, in response to the first signal satisfying one or more predetermined conditions: cause the second signal to ramp up and down during a first duration of time; and cause the second signal to ramp up and down during a second duration of time. The first duration of time starts at a first time and ends at a second time, and the second time is the same as or later than the first time. The second duration of time starts at a third time and ends at a fourth time, and the fourth time is the same as or later than the third time. The system controller is further configured to: in response to the dimming-control phase angle increasing from a first angle magnitude to a second angle magnitude, keep the second duration of time at a first predetermined constant; in response to the dimming-control phase angle increasing from the second angle magnitude to a third angle magnitude, increase the second duration of time; and in response to the dimming-control phase angle increasing from the third angle magnitude to a fourth angle magnitude, keep the second duration of time at a second predetermined constant.

According to yet another embodiment, a system controller for a lighting system includes a first controller terminal configured to receive a first signal. The first signal is related to a dimming-control phase angle. Additionally, the system controller includes a second controller terminal coupled to a first transistor terminal of a transistor. The transistor further includes a second transistor terminal and a third transistor terminal, and the second transistor terminal is coupled to a winding. Moreover, the system controller includes a third controller terminal coupled to the third transistor terminal of the transistor, and a fourth controller terminal coupled to a resistor and configured to receive a second signal. The second signal represents a magnitude of a current flowing through at least the winding, the third controller terminal, the fourth controller terminal, and the resistor. The system controller is configured to, in response to the first signal satisfying one or more predetermined conditions: cause the second signal to ramp up and down during a first duration of time; and cause the second signal to ramp up and down during a second duration of time. The first duration of time starts at a first time and ends at a second time, and the second time is the same as or later than the first time. The second

duration of time starts at a third time and ends at a fourth time, and the fourth time is the same as or later than the third time. The sum of the first duration of time and the second duration of time is equal to a total duration of time. The system controller is further configured to: in response to the dimming-control phase angle increasing from a first angle magnitude to a second angle magnitude, keep the total duration of time at a first predetermined constant; in response to the dimming-control phase angle increasing from the second angle magnitude to a third angle magnitude, increase the total duration of time; and in response to the dimming-control phase angle increasing from the third angle magnitude to a fourth angle magnitude, keep the total duration of time at a second predetermined constant.

According to yet another embodiment, a system controller for a lighting system includes a first controller terminal configured to receive a first signal, and a second controller terminal coupled to a first transistor terminal of a transistor. The transistor further includes a second transistor terminal and a third transistor terminal, and the second transistor terminal is coupled to a first winding terminal of a winding. The winding further includes a second winding terminal coupled to a capacitor. Additionally, the system controller includes a third controller terminal coupled to the third transistor terminal of the transistor, and a fourth controller terminal coupled to a resistor and configured to receive a second signal. The second signal represents a magnitude of a current flowing through at least the winding, the third controller terminal, the fourth controller terminal, and the resistor. The system controller is configured to determine whether or not a TRIAC dimmer is detected to be included in the lighting system and if the TRIAC dimmer is detected to be included in the lighting system, whether the TRIAC dimmer is a leading-edge TRIAC dimmer or a trailing-edge TRIAC dimmer. The system controller is further configured to, if the TRIAC dimmer is detected to be included in the lighting system and the TRIAC dimmer is the leading-edge TRIAC dimmer: in response to the first signal becoming larger than a first threshold in magnitude at a first time, cause the second signal to ramp up and down during a first duration of time; and in response to the first signal becoming smaller than a second threshold in magnitude at a third time, cause the second signal to ramp up and down during a second duration of time. The first duration of time starts at the first time and ends at a second time, and the second duration of time starts at the third time and ends at a fourth time. The system controller is further configured to, if the TRIAC dimmer is detected to be included in the lighting system and the TRIAC dimmer is the trailing-edge TRIAC dimmer: in response to the first signal becoming larger than the first threshold in magnitude at a fifth time, cause the second signal to ramp up and down during a duration of time. The duration of time starts at a sixth time and ends at a seventh time. The seventh time is a time when the first signal becomes smaller than the second threshold in magnitude.

According to yet another embodiment, a method for a lighting system includes receiving a first signal, and receiving a second signal. The second signal represents a magnitude of a current flowing through at least a winding. Additionally, the method includes: in response to the first signal becoming larger than a first threshold in magnitude at a first time, causing the second signal to ramp up and down during a first duration of time; and in response to the first signal becoming smaller than a second threshold in magnitude at a third time, causing the second signal to ramp up and down during a second duration of time. The first duration of time

starts at the first time and ends at a second time, and the second duration of time starts at the third time and ends at a fourth time. Moreover, the method includes causing the second signal to remain equal to a constant magnitude from the second time to the third time. The first time is earlier than the second time, the second time is earlier than the third time, and the third time is earlier than the fourth time.

According to yet another embodiment, a method for a lighting system includes receiving a first signal and receiving a second signal. The second signal represents a magnitude of a current flowing through at least a winding. Additionally, the method includes: in response to the first signal becoming larger than a first threshold in magnitude at a first time, causing the second signal to ramp up and down during a duration of time. The duration of time starts at a second time and ends at a third time, and the third time is a time when the first signal becomes smaller than a second threshold in magnitude. Moreover, the method includes causing the second signal to remain equal to a constant magnitude from the first time to the second time. The first time is earlier than the second time, and the second time is earlier than the third time.

According to yet another embodiment, a method for a lighting system includes receiving a first signal. The first signal is related to a dimming-control phase angle. Additionally, the method includes receiving a second signal. The second signal represents a magnitude of a current flowing through at least a winding. Moreover, the method includes, in response to the first signal satisfying one or more predetermined conditions: causing the second signal to ramp up and down during a first duration of time; and causing the second signal to ramp up and down during a second duration of time. The first duration of time starts at a first time and ends at a second time, and the second time is the same as or later than the first time. The second duration of time starts at a third time and ends at a fourth time, and the fourth time is the same as or later than the third time. The causing the second signal to ramp up and down during a first duration of time includes: in response to the dimming-control phase angle increasing from a first angle magnitude to a second angle magnitude, keeping the first duration of time at a first predetermined constant; in response to the dimming-control phase angle increasing from the second angle magnitude to a third angle magnitude, increasing the first duration of time; and in response to the dimming-control phase angle increasing from the third angle magnitude to a fourth angle magnitude, keeping the first duration of time at a second predetermined constant.

According to yet another embodiment, a method for a lighting system includes receiving a first signal. The first signal is related to a dimming-control phase angle. Additionally, the method includes receiving a second signal. The second signal represents a magnitude of a current flowing through at least a winding. Moreover, the method includes, in response to the first signal satisfying one or more predetermined conditions: causing the second signal to ramp up and down during a first duration of time; and causing the second signal to ramp up and down during a second duration of time. The first duration of time starts at a first time and ends at a second time, and the second time is the same as or later than the first time. The second duration of time starts at a third time and ends at a fourth time, and the fourth time is the same as or later than the third time. The causing the second signal to ramp up and down during a second duration of time includes: in response to the dimming-control phase angle increasing from a first angle magnitude to a second angle magnitude, keeping the second duration of time at a

11

first predetermined constant; in response to the dimming-control phase angle increasing from the second angle magnitude to a third angle magnitude, increasing the second duration of time; and in response to the dimming-control phase angle increasing from the third angle magnitude to a fourth angle magnitude, keeping the second duration of time at a second predetermined constant.

According to yet another embodiment, a method for a lighting system includes receiving a first signal. The first signal is related to a dimming-control phase angle. Additionally, the method includes receiving a second signal. The second signal represents a magnitude of a current flowing through at least a winding. Moreover, the method includes, in response to the first signal satisfying one or more predetermined conditions: causing the second signal to ramp up and down during a first duration of time; and causing the second signal to ramp up and down during a second duration of time. The first duration of time starts at a first time and ends at a second time, and the second time is the same as or later than the first time. The second duration of time starts at a third time and ends at a fourth time, and the fourth time is the same as or later than the third time. A sum of the first duration of time and the second duration of time is equal to a total duration of time. The causing the second signal to ramp up and down during a first duration of time and the causing the second signal to ramp up and down during a second duration of time include: in response to the dimming-control phase angle increasing from a first angle magnitude to a second angle magnitude, keeping the total duration of time at a first predetermined constant; in response to the dimming-control phase angle increasing from the second angle magnitude to a third angle magnitude, increasing the total duration of time; and in response to the dimming-control phase angle increasing from the third angle magnitude to a fourth angle magnitude, keeping the total duration of time at a second predetermined constant.

According to yet another embodiment, a method for a lighting system includes receiving a first signal and receiving a second signal. The second signal represents a magnitude of a current flowing through at least a winding. Additionally, the method includes determining whether or not a TRIAC dimmer is detected to be included in the lighting system and if the TRIAC dimmer is detected to be included in the lighting system, whether the TRIAC dimmer is a leading-edge TRIAC dimmer or a trailing-edge TRIAC dimmer. Moreover, the method includes, if the TRIAC dimmer is detected to be included in the lighting system and the TRIAC dimmer is the leading-edge TRIAC dimmer: in response to the first signal becoming larger than a first threshold in magnitude at a first time, causing the second signal to ramp up and down during a first duration of time; and in response to the first signal becoming smaller than a second threshold in magnitude at a third time, causing the second signal to ramp up and down during a second duration of time. The first duration of time starts at the first time and ends at a second time, and the second duration of time starts at the third time and ends at a fourth time. Also, the method includes, if the TRIAC dimmer is detected to be included in the lighting system and the TRIAC dimmer is the trailing-edge TRIAC dimmer: in response to the first signal becoming larger than the first threshold in magnitude at a fifth time, causing the second signal to ramp up and down during a duration of time. The duration of time starts at a sixth time and ends at a seventh time. The seventh time is a time when the first signal becomes smaller than the second threshold in magnitude.

12

Depending upon embodiment, one or more benefits may be achieved. These benefits and various additional objects, features and advantages of the present invention can be fully appreciated with reference to the detailed description and accompanying drawings that follow.

4. BRIEF DESCRIPTION OF THE DRAWINGS

FIG. 1 shows certain conventional timing diagrams for a leading-edge TRIAC dimmer and a trailing-edge TRIAC dimmer.

FIG. 2 is a simplified diagram of a conventional lighting system that includes a bleeder.

FIG. 3 is a simplified diagram showing certain conventional components of the lighting system as shown in FIG. 2.

FIG. 4 shows certain conventional timing diagrams for the lighting system 200 as shown in FIGS. 2 and 3.

FIG. 5 is a simplified diagram of a lighting system according to an embodiment of the present invention.

FIG. 6A shows certain timing diagrams for the lighting system as shown in FIG. 5 if the TRIAC dimmer is a leading-edge TRIAC dimmer according to one embodiment of the present invention.

FIG. 6B shows certain timing diagrams for the lighting system as shown in FIG. 5 if the TRIAC dimmer is a trailing-edge TRIAC dimmer according to another embodiment of the present invention.

FIG. 7 shows certain dimming-control phase angle diagrams for the lighting system as shown in FIG. 5 according to certain embodiments of the present invention.

FIG. 8 is a simplified diagram showing certain components of the lighting system as shown in FIG. 5 according to one embodiment of the present invention.

FIG. 9A shows certain timing diagrams for the lighting system as shown in FIG. 5 and FIG. 6A if the TRIAC dimmer is a leading-edge TRIAC dimmer according to one embodiment of the present invention.

FIG. 9B shows certain timing diagrams for the lighting system as shown in FIG. 5 and FIG. 6B if the TRIAC dimmer is a trailing-edge TRIAC dimmer according to another embodiment of the present invention.

5. DETAILED DESCRIPTION OF THE INVENTION

Certain embodiments of the present invention are directed to integrated circuits. More particularly, some embodiments of the invention provide a system and method for stage-based control related to TRIAC dimmer. Merely by way of example, some embodiments of the invention have been applied to driving one or more light emitting diodes (LEDs). But it would be recognized that the invention has a much broader range of applicability.

FIG. 5 is a simplified diagram of a lighting system according to an embodiment of the present invention. This diagram is merely an example, which should not unduly limit the scope of the claims. One of ordinary skill in the art would recognize many variations, alternatives, and modifications. The lighting system 500 includes a TRIAC dimmer 510, a rectifier 520, a diode 526, capacitors 530, 532, 534, 536 and 538, a modulation controller 540, a winding 560, a transistor 562, resistors 524, 570, 572, 574, 576, 578 and 579, and one or more LEDs 550. For example, the modulation controller 540 includes controller terminals 542, 544, 546, 548, 552, 554, 556 and 558. In another example, the modulation controller 540 is a chip, and each of the con-

troller terminals 542, 544, 546, 548, 552, 554, 556 and 558 is a pin. In yet another example, the modulation controller 540 is a pulse-width-modulation (PWM) controller. In yet another example, the winding 560 includes winding terminals 568 and 569.

In one embodiment, the TRIAC dimmer 510 receives an AC input voltage 514 (e.g., VAC) and generates a voltage 512. For example, the voltage 512 is received by the rectifier 520 (e.g., a full wave rectifying bridge), which generates a rectified output voltage 522. In another example, the rectified output voltage 522 is larger than or equal to zero.

In another embodiment, the resistor 579 includes resistor terminals 535 and 539, and the capacitor 536 includes capacitor terminals 581 and 583. For example, the resistor terminal 535 receives the rectified output voltage 522. In another example, the resistor terminal 539 is connected to the capacitor terminal 581, the controller terminal 552, and a gate terminal of the transistor 562. In yet another example, the gate terminal of the transistor 562 receives a gate voltage 537 from the resistor terminal 539, the capacitor terminal 581, and the controller terminal 552. In yet another example, the capacitor terminal 583 receives a ground voltage.

In yet another embodiment, the rectified output voltage 522 is used to charge the capacitor 536 through the resistor 579 to raise the gate voltage 537. For example, if the result of the gate voltage 537 minus a source voltage at a source terminal of the transistor 562 reaches or exceeds a transistor threshold voltage, the transistor 562 is turned on.

According to one embodiment, when the transistor 562 is turned on, through the transistor 562 and the controller terminal 554, a current flows into the modulation controller 540 and uses an internal path to charge the capacitor 532. For example, in response, the capacitor 532 generates a capacitor voltage 533, which is received by the controller terminal 544. In another example, if the capacitor voltage 533 reaches or exceeds an undervoltage-lockout threshold of the modulation controller 540, the modulation controller 540 starts up.

According to another embodiment, after the modulation controller 540 has started up, a pulse-width-modulation (PWM) signal 555 is generated. For example, the PWM signal 555 has a signal frequency and a duty cycle. In another example, the PWM signal 555 is received by the source terminal of the transistor 562 through the controller terminal 554. In yet another example, in response, the transistor 562 is turned on and off, in order to make an output current 566 constant and provide the output current 566 to the one or more LEDs 550, by working with at least the capacitor 538.

In one embodiment, as shown in FIG. 5, a drain voltage at a drain terminal of the transistor 562 is received by a voltage divider that includes the resistors 576 and 578. For example, the drain terminal of the transistor 562 is connected to the winding terminal 569 of the winding 560, and the winding terminal 568 of the winding 560 is connected to the capacitor 530 and the resistor 579. In another example, in response to receiving the drain voltage, the voltage divider generates a voltage 577, which is received by the controller terminal 556. In yet another example, the modulation controller 540 uses the voltage 577 to detect the end of a demagnetization process of the winding 560. In yet another example, the detection of the end of the demagnetization process is used to control an internal error amplifier of the modulation controller 540, and through the controller terminal 546, to control charging and discharging of the capacitor 534.

In another embodiment, after the modulation controller 540 has started up, the resistor 574 is used to detect a current 561, which flows through the winding 560. For example, the winding 560 is connected to a drain terminal of the transistor 562. In another example, the current 561 flows from the winding 560 through the resistor 574, which in response generates a sensing voltage 575. In yet another example, the sensing voltage 575 is received by the controller terminal 558, and is processed by the modulation controller 540 on a cycle-by-cycle basis. In yet another example, the peak magnitude of the sensing voltage 575 is sampled, and the sampled signal is sent to an input terminal of the internal error amplifier of the modulation controller 540. In yet another example, the other input terminal of the internal error amplifier receives a reference voltage V_{ref} .

As shown in FIG. 5, the voltage 512 is received by the resistor 570 according to one embodiment. For example, the resistors 570, 572, and 524 together generates a voltage 571. In another example, the voltage 571 is received by the controller terminal 542. In yet another example, the modulation controller 540 processes the voltage 571 and determines phase angle of the voltage 571. According to yet another embodiment, the lighting system 500 does not include a bleeder. For example, the lighting system 500 ensures, without using any bleeder, that when the TRIAC dimmer 510 is fired on, an input current 564 that flows through the TRIAC dimmer 510 is larger than a holding current required by the TRIAC dimmer 510, in order to avoid misfire of the TRIAC dimmer 510 and also avoid flickering of the one or more LEDs 550. In another example, the lighting system 500 does not use a bleeder, so heat generation is not increased and energy efficiency of the lighting system 500 is not reduced.

In one embodiment, the lighting system 500 operates according to FIG. 6A and/or FIG. 6B. For example, the lighting system 500 operates according to FIG. 6A. In another example, the lighting system 500 operates according to FIG. 6B. In yet another example, the lighting system 500 operates according to FIGS. 6A and 6B. In another embodiment, the lighting system 500 operates according to FIG. 7. In yet another embodiment, the lighting system 500 operates according to FIGS. 6A, 6B, and 7.

As discussed above and further emphasized here, FIG. 5 is merely an example, which should not unduly limit the scope of the claims. One of ordinary skill in the art would recognize many variations, alternatives, and modifications. For example, the lighting system 500 does not include the TRIAC dimmer 510. In another example, the TRIAC dimmer 510 is removed from the lighting system 500, and the AC input voltage 514 (e.g., VAC) is directly received by the rectifier 520.

FIG. 6A shows certain timing diagrams for the lighting system 500 as shown in FIG. 5 if the TRIAC dimmer 510 is a leading-edge TRIAC dimmer according to one embodiment of the present invention. These diagrams are merely examples, which should not unduly limit the scope of the claims. One of ordinary skill in the art would recognize many variations, alternatives, and modifications. The waveform 671 represents the voltage 571 as a function of time, and the waveform 675 represents the sensing voltage 575 as a function of time.

In one embodiment, each cycle of the voltage 571 has a phase angle (e.g., ϕ) that changes from ϕ_i to ϕ_f . For example, ϕ_i is equal to 0° , and ϕ_f is equal to 180° . In another example, ϕ_i is equal to 180° , and ϕ_f is equal to 360° . In yet another example, the voltage 571 is larger than or equal to zero.

In another embodiment, the phase angle ϕ_i corresponds to time t_0 , the phase angle ϕ_c corresponds to time t_2 , and the phase angle ϕ_f corresponds to time t_5 . For example, a time duration T_M that starts from time t_0 and ends at time t_5 represents one period of the voltage **571**. In another example, a time duration that starts from time t_0 and ends at time t_2 corresponds to ϕ_{dim_off} . In yet another example, a time duration that starts from time t_2 and ends at time t_5 corresponds to ϕ_{dim_on} .

In yet another embodiment, the TRIAC dimmer **510** is a leading-edge TRIAC dimmer, which clips part of the waveform that corresponds to the phase angle from ϕ_i to ϕ_c . For example, ϕ_c is larger than or equal to ϕ_i and is smaller than or equal to ϕ_f . In another example, ϕ_c minus ϕ_i is equal to ϕ_{dim_off} which corresponds to a time duration when the TRIAC dimmer **510** is not fired on.

In yet another embodiment, the unclipped part of the waveform corresponds to the phase angle from ϕ_c to ϕ_f . For example, of minus ϕ_c is equal to ϕ_{dim_on} which corresponds to a time duration when the TRIAC dimmer **510** is fired on. In another example, ϕ_{dim_on} represents a dimming-control phase angle. In yet another example, the sum of ϕ_{dim_off} and ϕ_{dim_on} is equal to 180° .

In yet another example, ϕ_{dim_off} is larger than or equal to 0° and smaller than or equal to 180° , and ϕ_{dim_on} is larger than or equal to 0° and smaller than or equal to 180° . In yet another example, if ϕ_{dim_off} is equal to 180° and ϕ_{dim_on} is equal to 0° , the TRIAC dimmer **510** clips the entire waveform that corresponds to the phase angle starting at 0° and ending at 180° or starting at 180° and ending at 360° . In yet another example, if ϕ_{dim_off} is equal to 0° and ϕ_{dim_on} is equal to 180° , the TRIAC dimmer **510** does not clip any part of the waveform that corresponds to the phase angle starting at 0° and ending at 180° or starting at 180° and ending at 360° .

According to one embodiment, if the dimming-control phase angle ϕ_{dim_on} becomes larger, the one or more LEDs **550** becomes brighter, and if the dimming-control phase angle ϕ_{dim_on} becomes smaller, the one or more LEDs **550** becomes dimmer. According to another embodiment, as shown by the waveform **675**, for a particular dimming-control phase angle ϕ_{dim_on} , the sensing voltage **575** ramps up and down during a stage-1 time duration T_{s1} and during a stage-2 time duration T_{s2} . For example, during the stage-1 time duration T_{s1} , within a switching period (e.g., T_{sw1}), the sensing voltage **575** ramps up, ramps down, and then remains constant (e.g., remains equal to zero) until the end of the switching period (e.g., until the end of T_{sw1}). In another example, during the stage-2 time duration T_{s2} , within a switching period (e.g., T_{sw2}), the sensing voltage **575** ramps up, ramps down, and then remains constant (e.g., remains equal to zero) until the end of the switching period (e.g., until the end of T_{sw2}). In yet another example, the switching period T_{sw1} and the switching period T_{sw2} are equal in time duration.

According to yet another embodiment, corresponding to one period of the voltage **571** (e.g., from time t_0 to time t_5), the stage-1 time duration T_{s1} starts at time t_2 and ends at time t_3 , and the stage-2 time duration T_{s2} starts at time t_4 and ends at time t_6 . For example, corresponding to a previous period of the voltage **571** (e.g., a previous period ending at time t_0), the stage-2 time duration T_{s2} ends at time t_1 . In another example, the time duration from time t_1 to time t_2 is longer than the switching period T_{sw1} and is also longer than the switching period T_{sw2} , and during the entire time duration from time t_1 to time t_2 , the sensing voltage **575** remains constant (e.g., remains equal to zero). In yet another example, the time duration from time t_3 to time t_4 is longer

than the switching period T_{sw1} and is also longer than the switching period T_{sw2} , and during the entire time duration from time t_3 to time t_4 , the sensing voltage **575** remains constant (e.g., remains equal to zero).

According to yet another embodiment, time t_2 represents the time when the voltage **571** becomes larger than a threshold voltage V_{th1_a} , and time t_4 represents the time when the voltage **571** becomes smaller than a threshold voltage V_{th1_b} . For example, the threshold voltage V_{th1_a} and the threshold voltage V_{th1_b} are equal. In another example, the threshold voltage V_{th1_a} and the threshold voltage V_{th1_b} are not equal. According to yet another embodiment, time t_0 represents the beginning time of one period of the voltage **571** that ends at time t_5 , and time t_0 also represents the ending time of a previous period of the voltage **571**. For example, during the previous period of the voltage **571**, time t_{-1} represents the time when the voltage **571** becomes smaller than the threshold voltage V_{th1_b} .

As discussed above and further emphasized here, FIG. **6A** is merely an example, which should not unduly limit the scope of the claims. One of ordinary skill in the art would recognize many variations, alternatives, and modifications. For example, time t_5 is approximately equal to time t_4 , and the phase angle ϕ_f approximately corresponds to time t_4 . In another example, the time duration T_M starts at time t_0 and ends approximately at time t_4 , and the time duration T_M represents one period of the voltage **571**. In yet another example, a time duration that starts at time t_2 and ends at time t_4 approximately corresponds to ϕ_{dim_on} .

FIG. **6B** shows certain timing diagrams for the lighting system **500** as shown in FIG. **5** if the TRIAC dimmer **510** is a trailing-edge TRIAC dimmer according to another embodiment of the present invention. These diagrams are merely examples, which should not unduly limit the scope of the claims. One of ordinary skill in the art would recognize many variations, alternatives, and modifications. The waveform **681** represents the voltage **571** as a function of time, and the waveform **685** represents the sensing voltage **575** as a function of time.

In one embodiment, each cycle of the voltage **571** has a phase angle (e.g., ϕ) that changes from ϕ_i to ϕ_f . For example, ϕ_i is equal to 0° , and ϕ_f is equal to 180° . In another example, ϕ_i is equal to 180° , and ϕ_f is equal to 360° . In yet another example, the voltage **571** is larger than or equal to zero.

In another embodiment, the phase angle ϕ_i corresponds to time t_{10} , the phase angle ϕ_c corresponds to time t_{13} , and the phase angle ϕ_f corresponds to time t_{15} . For example, a time duration T_M that starts from time t_{10} and ends at time t_{15} represents one period of the voltage **571**. In another example, a time duration that starts from time t_{10} and ends at time t_{13} corresponds to ϕ_{dim_on} . In yet another example, a time duration that starts from time t_{13} and ends at time t_{15} corresponds to ϕ_{dim_off} .

In yet another embodiment, the TRIAC dimmer **510** is a trailing-edge TRIAC dimmer, which clips part of the waveform that corresponds to the phase angle from ϕ_c to ϕ_f . For example, ϕ_c is larger than or equal to ϕ_i and is smaller than or equal to ϕ_f . In another example, ϕ_f minus ϕ_c is equal to ϕ_{dim_off} which corresponds to a time duration when the TRIAC dimmer **510** is not fired on.

In yet another embodiment, the unclipped part of the waveform corresponds to the phase angle from ϕ_i to ϕ_c . For example, ϕ_c minus ϕ_i is equal to ϕ_{dim_on} which corresponds to a time duration when the TRIAC dimmer **510** is fired on. In another example, ϕ_{dim_on} represents a dimming-control phase angle. In yet another example, the sum of ϕ_{dim_off} and ϕ_{dim_on} is equal to 180° .

In yet another example, ϕ_{dim_off} is larger than or equal to 0° and smaller than or equal to 180° , and ϕ_{dim_on} is larger than or equal to 0° and smaller than or equal to 180° . In yet another example, if ϕ_{dim_off} is equal to 180° and ϕ_{dim_on} is equal to 0° , the TRIAC dimmer **510** clips the entire waveform that corresponds to the phase angle starting at 0° and ending at 180° or starting at 180° and ending at 360° . In yet another example, if ϕ_{dim_off} is equal to 0° and ϕ_{dim} is equal to 180° , the TRIAC dimmer **510** does not clip any part of the waveform that corresponds to the phase angle starting at 0° and ending at 180° or starting at 180° and ending at 360° .

According to one embodiment, if the dimming-control phase angle ϕ_{dim_on} becomes larger, the one or more LEDs **550** becomes brighter, and if the dimming-control phase angle ϕ_{dim_on} becomes smaller, the one or more LEDs **550** becomes dimmer. According to another embodiment, as shown by the waveform **685**, for a particular dimming-control phase angle ϕ_{dim_on} , the sensing voltage **575** ramps up and down during a stage-1 time duration T_{s1} and during a stage-2 time duration T_{s2} . For example, the stage-1 time duration T_{s1} starts at time t_{12} and ends at time t_{13} . In another example, the stage-2 time duration T_{s2} starts at time t_{13} and ends at time t_{14} . In yet another example, the combination of the stage-1 time duration T_{s1} and the stage-2 time duration T_{s2} starts at time t_{12} and ends at time t_{14} .

According to yet another embodiment, during the time duration from time t_{12} to time t_{14} , the sensing voltage **575** ramps up and down. For example, during the combination of the stage-1 time duration T_{s1} and the stage-2 time duration T_{s2} , within a switching period (e.g., T_{sw11}), the sensing voltage **575** ramps up, ramps down, and then remains constant (e.g., remains equal to zero) until the end of the switching period (e.g., T_{sw11}). In another example, during the combination of the stage-1 time duration T_{s1} and the stage-2 time duration T_{s2} , within a switching period (e.g., T_{sw12}), the sensing voltage **575** ramps up, ramps down, and then remains constant (e.g., remains equal to zero) until the end of the switching period (e.g., T_{sw12}).

According to yet another embodiment, time t_{11} represents the time when the voltage **571** becomes larger than a threshold voltage V_{th2_a} , and time t_{14} represents the time when the voltage **571** becomes smaller than a threshold voltage V_{th2_b} . For example, the threshold voltage V_{th2_a} and the threshold voltage V_{th2_b} are equal. In another example, the threshold voltage V_{th2_a} and the threshold voltage V_{th2_b} are not equal. In yet another example, the time duration from time t_{11} to time t_{12} is longer than the switching period T_{sw11} and is also longer than the switching period T_{sw12} , and during the entire time duration from time t_{11} to time t_{12} , the sensing voltage **575** remains constant (e.g., remains equal to zero). In yet another example, the time duration from time t_{14} to time t_{15} is longer than the switching period T_{sw11} and is also longer than the switching period T_{sw12} , and during the entire time duration from time t_{14} to time t_{15} , the sensing voltage **575** remains constant (e.g., remains equal to zero).

As discussed above and further emphasized here, FIG. **6B** is merely an example, which should not unduly limit the scope of the claims. One of ordinary skill in the art would recognize many variations, alternatives, and modifications. For example, time t_{10} is approximately equal to time t_{11} , and the phase angle ϕ_i approximately corresponds to time t_{11} . In another example, the time duration T_M that starts at time t_{11} and ends at time t_{15} approximately represents one period of the voltage **571**. In yet another example, a time duration that starts at time t_{11} and ends at time t_{13} approximately corresponds to ϕ_{dim_on} .

FIG. **7** shows certain dimming-control phase angle diagrams for the lighting system **500** as shown in FIG. **5** according to certain embodiments of the present invention. These diagrams are merely examples, which should not unduly limit the scope of the claims. One of ordinary skill in the art would recognize many variations, alternatives, and modifications. The waveform **766** represents the output current **566** as a function of dimming-control phase angle ϕ_{dim_on} , the waveform **710** represents the stage-1 time duration T_{s1} as a function of dimming-control phase angle ϕ_{dim_on} , the waveform **720** represents the stage-2 time duration T_{s2} as a function of dimming-control phase angle ϕ_{dim_on} , and the waveform **730** represents the two-stage total time duration T_{st} as a function of dimming-control phase angle ϕ_{dim_on} .

In one embodiment, as shown by the waveform **710**, the stage-1 time duration T_{s1} remains equal to T_{s1_min} if the dimming-control phase angle ϕ_{dim_on} increases from 0° to ϕ_A and from ϕ_A to ϕ_B , the stage-1 time duration T_{s1} increases (e.g., increases linearly at a constant slope SL_1) from T_{s1_min} to T_{s1_max} if the dimming-control phase angle ϕ_{dim_on} increases from ϕ_B to ϕ_C , and the stage-1 time duration T_{s1} remains equal to T_{s1_max} if the dimming-control phase angle ϕ_{dim_on} increases from ϕ_C to 180° . For example, T_{s1_min} is equal to zero. In another example, T_{s1_min} is larger than zero. In yet another example, T_{s1_max} is larger than T_{s1_min} and is also larger than zero.

In another embodiment, as shown by the waveform **720**, the stage-2 time duration T_{s2} remains equal to T_{s2_min} if the dimming-control phase angle ϕ_{dim_on} increases from 0° to ϕ_A , the stage-2 time duration T_{s2} increases (e.g., increases linearly at a constant slope SL_2) from T_{s2_min} to T_{s2_max} if the dimming-control phase angle ϕ_{dim_on} increases from ϕ_A to ϕ_B , and the stage-2 time duration T_{s2} remains equal to T_{s2_max} if the dimming-control phase angle ϕ_{dim_on} increases from ϕ_B to ϕ_C and from ϕ_C to 180° . For example, the slope SL_1 and the slope SL_2 are different. In another example, the slope SL_1 and the slope SL_2 are equal. In yet another example, ϕ_B is smaller than 90° . In yet another example, T_{s2_min} is equal to zero. In yet another example, T_{s2_min} is larger than zero. In yet another example, T_{s2_max} is larger than T_{s2_min} and is also larger than zero.

In yet another embodiment, as shown by the waveform **730**, the two-stage total time duration T_{st} is equal to the sum of the stage-1 time duration T_{s1} and the stage-2 time duration T_{s2} . For example, the two-stage total time duration T_{st} remains equal to T_{st_min} if the dimming-control phase angle ϕ_{dim_on} increases from 0° to ϕ_A , the two-stage total time duration T_{st} increases (e.g., increases linearly at a slope STL_1) from T_{st_min} to T_{st_mid} if the dimming-control phase angle ϕ_{dim_on} increases from ϕ_A to ϕ_B , the two-stage total time duration T_{st} increases (e.g., increases linearly at a slope STL_2) from T_{st_mid} to T_{st_max} if the dimming-control phase angle ϕ_{dim_on} increases from ϕ_B to ϕ_C , and the two-stage total time duration T_{st} remains equal to T_{st_max} if the dimming-control phase angle ϕ_{dim_on} increases from ϕ_C to 180° . For example, the slope STL_1 is equal to the slope STL_2 , and the slope STL_2 is equal to the slope SL_1 . In another example, the slope STL_1 and the slope STL_2 are equal. In yet another example, the slope STL_1 and the slope STL_2 are not equal. In yet another example, T_{st_min} is equal to the sum of T_{s1_min} and T_{s2_min} , T_{st_mid} is equal to the sum of T_{s1_min} and T_{s2_max} , and T_{st_max} is equal to the sum of T_{s1_max} and T_{s2_max} . In yet another example, T_{st_min} is equal to zero. In yet another example, T_{st_min} is larger than zero. In yet another example, T_{st_mid} is larger than T_{st_min} and is also

larger than zero, but is smaller than T_{st_max} . In yet another example, T_{st_max} is larger than T_{st_min} and T_{st_mid} , and is also larger than zero.

In yet another embodiment, as shown by the waveform **766**, the output current **566** remains equal to zero if the dimming-control phase angle ϕ_{dim_on} increases from 0° to ϕ_A , the output current **566** increases (e.g., increases linearly at a slope SL_{o_1}) from zero to I_{o_mid} if the dimming-control phase angle ϕ_{dim_on} increases from ϕ_A to ϕ_B , the output current **566** increases (e.g., increases linearly at a slope SL_{o_2}) from I_{o_mid} to I_{o_max} if the dimming-control phase angle ϕ_{dim_on} increases from ϕ_B to ϕ_C , and the output current **566** remains equal to I_{o_max} if the dimming-control phase angle ϕ_{dim_on} increases from ϕ_C to 180° . For example, the slope SL_{o_1} and the slope SL_{o_2} are different. In another example, the slope SL_{o_1} and the slope SL_{o_2} are equal. In yet another example, I_{o_max} is equal to the magnitude of the output current **566** if the dimmer **510** is removed and the AC input voltage **514** (e.g., VAC) is directly received by the rectifier **520**. In yet another example, I_{o_mid} is smaller than 10% of I_{o_max} .

According to one embodiment, if the dimming-control phase angle ϕ_{dim_on} increases from ϕ_A to ϕ_B , the dimming control of the one or more LEDs **550** is performed by changing the stage-2 time duration T_{s2} , and if the dimming-control phase angle ϕ_{dim_on} increases from ϕ_B to ϕ_C , the dimming control of the one or more LEDs **550** is performed by changing the stage-1 time duration T_{s1} . For example, the slope SL_{o_1} for the output current **566** depends on the slope SL_2 of the stage-2 time duration T_{s2} . In another example, the slope SL_{o_2} for the output current **566** depends on the slope SL_1 of the stage-1 time duration T_{s1} .

According to another embodiment, magnitudes of ϕ_A , ϕ_B , and ϕ_C are adjusted, and $0^\circ \leq \phi_A \leq \phi_B \leq \phi_C \leq 180^\circ$ is satisfied. For example, magnitudes of ϕ_A , ϕ_B , and ϕ_C are adjusted, and $0^\circ < \phi_A < \phi_B < \phi_C < 180^\circ$ is satisfied. In another example, magnitudes of ϕ_A , ϕ_B , and ϕ_C are adjusted, and $0^\circ \leq \phi_A < \phi_B < \phi_C \leq 180^\circ$ is satisfied.

FIG. **8** is a simplified diagram showing certain components of the lighting system **500** as shown in FIG. **5** according to one embodiment of the present invention. This diagram is merely an example, which should not unduly limit the scope of the claims. One of ordinary skill in the art would recognize many variations, alternatives, and modifications. The modulation controller **540** includes a dimming control component **800** and a transistor **880**. For example, the dimming control component **800** includes a signal detector **810**, a mode detector **850**, a stage-timing signal generator **860**, a reference voltage generator **820**, a modulation signal generator **830**, an AND gate **870**, and a driver **840**. For example, the modulation signal generator **830** is a pulse-width-modulation (PWM) signal generator.

As discussed above and further emphasized here, FIG. **8** is merely an example, which should not unduly limit the scope of the claims. One of ordinary skill in the art would recognize many variations, alternatives, and modifications. For example, the lighting system **500** does not include the TRIAC dimmer **510**. In another example, the TRIAC dimmer **510** is removed from the lighting system **500**, and the AC input voltage **514** (e.g., VAC) is directly received by the rectifier **520**.

In one embodiment, the mode detector **850** receives the voltage **571** through the terminal **542**, and determines, based at least in part on the voltage **571**, whether or not the TRIAC dimmer **510** is detected to be included in the lighting system **500** and if the TRIAC dimmer **510** is detected to be included in the lighting system **500**, whether the TRIAC dimmer **510**

is a leading-edge TRIAC dimmer or a trailing-edge TRIAC dimmer. For example, the mode detector **850** generates a mode signal **852** that indicates whether or not the TRIAC dimmer **510** is detected to be included in the lighting system **500** and if the TRIAC dimmer **510** is detected to be included in the lighting system **500**, whether the TRIAC dimmer **510** is a leading-edge TRIAC dimmer or a trailing-edge TRIAC dimmer. In another example, the mode signal **852** is received by the reference voltage generator **820** and the stage-timing signal generator **860**.

In yet another example, the mode signal **852** includes three logic signals **852_a**, **852_b**, and **852_c**. In yet another example, if the logic signal **852_a** is at the logic high level and the logic signals **852_b** and **852_c** are at the logic low level, the mode signal **852** indicates that the TRIAC dimmer **510** is not included in the lighting system **500**. In yet another example, if the logic signal **852_b** is at the logic high level and the logic signals **852_a** and **852_c** are at the logic low level, the mode signal **852** indicates that the TRIAC dimmer **510** is detected to be included in the lighting system **500** and the TRIAC dimmer **510** is a leading-edge TRIAC dimmer. In yet another example, if the logic signal **852_c** is at the logic high level and the logic signals **852_a** and **852_b** are at the logic low level, the mode signal **852** indicates that the TRIAC dimmer **510** is detected to be included in the lighting system **500** and the TRIAC dimmer **510** is a trailing-edge TRIAC dimmer.

In another embodiment, the signal detector **810** receives the voltage **571** through the terminal **542**, detects the voltage **571**, and generates a signal **812**. For example, the signal **812** indicates approximately the magnitude of the dimming-control phase angle ϕ_{dim_on} of the voltage **571** (e.g., as shown in FIG. **6A**, FIG. **6B**, and/or FIG. **7**).

In yet another embodiment, the signal detector **810** generates the signal **812** based at least in part on the voltage **571**. For example, if the voltage **571** becomes larger than a threshold voltage V_{th_aa} , the signal **812** changes from a logic low level to a logic high level. In another example, if the voltage **571** becomes smaller than a threshold voltage V_{th_bb} , the signal **812** changes from the logic high level to the logic low level. In yet another example, the threshold voltage V_{th_aa} and the threshold voltage V_{th_bb} are equal. In yet another example, the threshold voltage V_{th_aa} and the threshold voltage V_{th_bb} are not equal.

According to one embodiment, as shown in FIG. **6A**, the signal **812** changes from the logic high level to the logic low level at time t_{-1} , remains at the logic low level from time t_{-1} to time t_2 , changes from the logic low level to the logic high level at time t_2 , remains at the logic high level from time t_2 to time t_4 , changes from the logic high level to the logic low level at time t_4 , and remains at the logic low level from time t_4 to time t_5 . For example, the threshold voltage V_{th_aa} is the threshold voltage V_{th1_a} . In another example, the threshold voltage V_{th_bb} is the threshold voltage V_{th1_b} .

According to another embodiment, as shown in FIG. **6B**, the signal **812** remains at the logic low level from time t_{10} to time t_{11} , changes from the logic low level to the logic high level at time t_{11} , remains at the logic high level from time t_{11} to time t_{14} , changes from the logic high level to the logic low level at time t_{14} , and remains at the logic low level from time t_{14} to time t_{15} . For example, the threshold voltage V_{th_aa} is the threshold voltage V_{th2_a} . In another example, the threshold voltage V_{th_bb} is the threshold voltage V_{th2_b} .

According to some embodiments, the reference voltage generator **820** receives the mode signal **852** and the signal **812**, and generates a reference voltage **822** (e.g., V_{ref}). In one embodiment, if the mode signal **852** indicates that the TRIAC dimmer **510** is not included in the lighting system

21

500, the reference voltage generator 820 generates the reference voltage 822 (e.g., V_{ref}) that is a predetermined constant, regardless of the magnitude of the dimming-control phase angle ϕ_{dim_on} .

In another embodiment, if the mode signal 852 indicates that the TRIAC dimmer 510 is detected to be included in the lighting system 500 and the TRIAC dimmer 510 is a leading-edge TRIAC dimmer, the reference voltage generator 820 generates the reference voltage 822 (e.g., V_{ref}). For example, the reference voltage 822 (e.g., V_{ref}) is a predetermined constant, regardless of the magnitude of the dimming-control phase angle ϕ_{dim_on} . In another example, the reference voltage 822 (e.g., V_{ref}) changes with the magnitude of the dimming-control phase angle ϕ_{dim_on} . In yet another example, the reference voltage 822 (e.g., V_{ref}) increases proportionally with the increasing magnitude of the dimming-control phase angle ϕ_{dim_on} .

In yet another embodiment, if the mode signal 852 indicates that the TRIAC dimmer 510 is detected to be included in the lighting system 500 and the TRIAC dimmer 510 is a trailing-edge TRIAC dimmer, the reference voltage generator 820 generates the reference voltage 822 (e.g., V_{ref}). For example, the reference voltage 822 (e.g., V_{ref}) is a predetermined constant, regardless of the magnitude of the dimming-control phase angle ϕ_{dim_on} . In another example, the reference voltage 822 (e.g., V_{ref}) changes with the magnitude of the dimming-control phase angle ϕ_{dim_on} . In yet another example, the reference voltage 822 (e.g., V_{ref}) increases proportionally with the increasing magnitude of the dimming-control phase angle ϕ_{dim_on} .

In yet another embodiment, the reference voltage 822 (e.g., V_{ref}) when the mode signal 852 indicates that the TRIAC dimmer 510 is not included in the lighting system 500 is smaller than the reference voltage 822 (e.g., V_{ref}) when the mode signal 852 indicates that the TRIAC dimmer 510 is detected to be included in the lighting system 500.

According to certain embodiments, the reference voltage 822 (e.g., V_{ref}) is received by the modulation signal generator 830, which also receives the sensing voltage 575 through the terminal 558. For example, the sensing voltage 575 represents the magnitude of the current 561, which flows through the winding 560 and the resistor 574.

In one embodiment, the modulation signal generator 830 processes the reference voltage 822 (e.g., V_{ref}) and the sensing voltage 575 and generates a modulation signal 832. For example, the modulation signal generator 830 is a pulse-width-modulation (PWM) signal generator, and the modulation signal 832 is a pulse-width-modulation (PWM) signal. In another example, within each switching cycle, the modulation signal generator 830 determines an integral of the reference voltage 822 (e.g., V_{ref}) over time, converts the integral to an intermediate voltage that is proportional to the integral, and determines whether the sensing voltage 575 reaches or exceeds the intermediate voltage. In yet another example, within each switching cycle, if the sensing voltage 575 reaches or exceeds the intermediate voltage, the modulation signal generator 830 changes the modulation signal 832 from a logic high level to a logic low level to cause the end of the pulse width for the switching cycle if the pulse width is not larger than the maximum pulse width predetermined by the modulation controller 540. In yet another example, if the rectified output voltage 522 is large, within each switching cycle, the sensing voltage 575 reaches or exceeds the intermediate voltage fast enough so that the pulse width ends before the pulse width becomes larger than a maximum pulse width predetermined by the modulation controller 540. In yet another example, if the rectified output

22

voltage 522 is small (e.g., if the capacitor 530 has been completely discharged), within each switching cycle, the sensing voltage 575 cannot reach or exceed the intermediate voltage fast enough, and the pulse width of the modulation signal 832 for the switching cycle is set equal to the maximum pulse width predetermined by the modulation controller 540. In yet another example, the modulation signal 832 is received by the AND gate 870.

In another embodiment, the modulation signal generator 830 processes the sensing voltage 575, detects whether the capacitor 530 has been completely discharged based at least in part on the sensing voltage 575, and when the capacitor 530 has been detected to be completely discharged, generate a timing signal 834 that indicates the capacitor 530 has been completely discharged. For example, the timing signal 834 indicates the capacitor 530 becomes completely discharged at time t_6 as shown in FIG. 6A. In another example, the timing signal 834 is received by the stage-timing signal generator 860.

In yet another embodiment, the modulation signal generator 830 processes the sensing voltage 575, detects whether a pulse width of the modulation signal 832 for a switching cycle is set equal to the maximum pulse width predetermined by the modulation controller 540, and if the pulse width of the modulation signal 832 is set equal to the maximum pulse width, generate the timing signal 834 that indicates the capacitor 530 has been completely discharged. For example, the timing signal 834 indicates the capacitor 530 becomes completely discharged at time t_6 as shown in FIG. 6A. In another example, the timing signal 834 is received by the stage-timing signal generator 860.

According to some embodiments, the stage-timing signal generator 860 receives the mode signal 852, the signal 812 and the timing signal 834 and generates a stage-timing signal 862 based at least in part on the mode signal 852, the signal 812 and/or the timing signal 834. For example, the stage-timing signal 862 is received by the AND gate 870.

In one embodiment, as shown in FIG. 6A, if the mode signal 852 indicates the TRIAC dimmer 510 is detected to be included in the lighting system 500 and the TRIAC dimmer 510 is a leading-edge TRIAC dimmer, the stage-timing signal 862 indicates the beginning and the end of the stage-1 time duration T_{s1} and the beginning and the end of the stage-2 time duration T_{s2} . For example, the stage-timing signal generator 860 changes the stage-timing signal 862 from the logic low level to the logic high level at time t_2 , indicating the beginning of the stage-1 time duration T_{s1} . In another example, the stage-timing signal generator 860 changes the stage-timing signal 862 from the logic high level to the logic low level at time t_3 , indicating the end of the stage-1 time duration T_{s1} , if the stage-1 time duration T_{s1} is not larger than T_{s1_max} in magnitude as shown by the waveform 710 of FIG. 7. In yet another example, the stage-timing signal generator 860 changes the stage-timing signal 862 from the logic low level to the logic high level at time t_4 , indicating the beginning of the stage-2 time duration T_{s2} . In another example, the stage-timing signal generator 860 changes the stage-timing signal 862 from the logic high level to the logic low level at time t_6 , indicating the end of the stage-2 time duration T_{s2} , if the stage-2 time duration T_{s2} is not larger than T_{s2_max} in magnitude as shown by the waveform 720 of FIG. 7.

In another embodiment, as shown in FIG. 6B, if the mode signal 852 indicates the TRIAC dimmer 510 is detected to be included in the lighting system 500 and the TRIAC dimmer 510 is a trailing-edge TRIAC dimmer, the stage-timing signal 862 indicates the beginning of the stage-1 time

duration T_{s1} and the end of the stage-2 time duration T_{s2} . For example, the stage-timing signal generator **860** changes the stage-timing signal **862** from the logic low level to the logic high level at time t_{12} , indicating the beginning of the stage-1 time duration T_{s1} . In another example, the stage-timing signal generator **860** changes the stage-timing signal **862** from the logic high level to the logic low level at time t_{14} , indicating the end of the stage-2 time duration T_{s2} . In yet another example, the stage-1 time duration T_{s1} is not larger than T_{s1_max} in magnitude as shown by the waveform **710** of FIG. **7**, and the stage-2 time duration T_{s2} is not larger than T_{s2_max} in magnitude as shown by the waveform **720** of FIG. **7**.

In yet another embodiment, if the mode signal **852** indicates the TRIAC dimmer **510** is not included in the lighting system **500**, the stage-timing signal **862** is the same as the signal **812**. For example, if the voltage **571** becomes larger than the threshold voltage V_{th_aa} , the stage-timing signal **862** changes from the logic low level to the logic high level. In another example, if the voltage **571** becomes smaller than the threshold voltage V_{th_bb} , the stage-timing signal **862** changes from the logic high level to the logic low level. In yet another example, the stage-timing signal **862** remains at the logic high level from a time when the voltage **571** becomes larger than the threshold voltage V_{th_aa} to a time when the voltage **571** becomes smaller than the threshold voltage V_{th_bb} for the first time since the voltage **571** becomes larger than the threshold voltage V_{th_aa} . In yet another example, the stage-timing signal **862** remains at the logic low level from a time when the voltage **571** becomes smaller than the threshold voltage V_{th_bb} to a time when the voltage **571** becomes larger than the threshold voltage V_{th_aa} for the first time since the voltage **571** becomes smaller than the threshold voltage V_{th_bb} .

According to certain embodiments, the AND gate **870** receives the modulation signal **832** and the stage-timing signal **862** and generates a control signal **872** based at least in part on the modulation signal **832** and the stage-timing signal **862**. In one embodiment, if the mode signal **852** indicates the TRIAC dimmer **510** is included in the lighting system **500**, the stage-timing signal **862** remains at the logic high level during the stage-1 time duration T_{s1} and during the stage-2 time duration T_{s2} , and the stage-timing signal **862** remains at the logic low level outside the stage-1 time duration T_{s1} and the stage-2 time duration T_{s2} . For example, if the mode signal **852** indicates the TRIAC dimmer **510** is included in the lighting system **500**, during the stage-1 time duration T_{s1} and during the stage-2 time duration T_{s2} , the control signal **872** is the same as the modulation signal **832**. In another example, if the mode signal **852** indicates the TRIAC dimmer **510** is included in the lighting system **500**, outside the stage-1 time duration T_{s1} and the stage-2 time duration T_{s2} , the control signal **872** remains at the logic low level.

According to some embodiments, if the mode signal **852** indicates the TRIAC dimmer **510** is not included in the lighting system **500**, the stage-timing signal **862** remains at the logic high level throughout entire each half cycle of the voltage **571**. In one embodiment, the voltage **571** has a phase angle (e.g., ϕ), which changes from 0° to 180° for a half cycle of the voltage **571** and then changes from 180° to 360° for another half cycle of the voltage **571**. In another embodiment, if the mode signal **852** indicates the TRIAC dimmer **510** is not included in the lighting system **500**, the control signal **872** is the same as the modulation signal **832**. In yet another embodiment, if the mode signal **852** indicates the TRIAC dimmer **510** is not included in the lighting system

500, the modulation signal generator **830** operates under quasi-resonant (QR) constant-current (CC) mode. For example, under the quasi-resonant (QR) constant-current (CC) mode, each half cycle of the voltage **571** includes multiple switching cycles of the modulation signal **832**. In another example, each switching cycle of the modulation signal **832** includes an on-time period and an off-time period. In yet another example, during each half cycle of the voltage **571**, the on-time period of the modulation signal **832** remains constant in magnitude but the off-time period of the modulation signal **832** changes in magnitude, in order to achieve satisfactory power factor (PF).

According to one embodiment, the driver **840** receives the control signal **872** and generates a drive signal **842**. For example, if the control signal **872** is at the logic high level, the drive signal **842** is also at the logic high level. In another example, if the control signal **872** is at the logic low level, the drive signal **842** is also at the logic low level. In yet another example, the driver **840** outputs the drive signal **842** to the transistor **880**.

According to another embodiment, the transistor **880** is turned on if the drive signal **842** is at the logic high level, and the transistor **880** is turned off if the drive signal **842** is at the logic low level. For example, when the transistor **562** and the transistor **880** are turned on, the current **561** flows through the winding **560**, the transistor **562**, the controller terminal **554**, the transistor **880**, the controller terminal **558**, and the resistor **574**. In another example, if the transistor **880** becomes turned off when the transistor **562** is still turned on, the transistor **562** also becomes turned off and the winding **560** starts to discharge. In yet another example, if the transistor **880** becomes turned on when the transistor **562** is still turned off, the transistor **562** also becomes turned on and the winding **560** starts to charge.

As shown in FIGS. **5** and **8**, the lighting system **500** includes a quasi-resonant system with a buck-boost topology according to certain embodiments. For example, the output current **566** of the quasi-resonant system is received by the one or more LEDs **550** and is determined as follows:

$$I_o = \frac{1}{2} \times \frac{V_{ref}}{R_{cs}} \times \frac{T_{s1} + T_{s2}}{T_M} \quad (\text{Equation 2})$$

where I_o represents the output current **566** of the quasi-resonant system of the lighting system **500**. Additionally, V_{ref} represents the reference voltage **822** (e.g., the reference voltage received by an internal error amplifier of the modulation controller **540**), and R_{cs} represents the resistance of the resistor **574**. Moreover, T_{s1} represents a stage-1 time duration, and T_{s2} represents a stage-2 time duration. Also, T_M represents one period of the voltage **571**. For example, one period of the voltage **571** is equal to half period of the AC input voltage **514** (e.g., VAC).

FIG. **9A** shows certain timing diagrams for the lighting system **500** as shown in FIG. **5** and FIG. **6A** if the TRIAC dimmer **510** is a leading-edge TRIAC dimmer according to one embodiment of the present invention. These diagrams are merely examples, which should not unduly limit the scope of the claims. One of ordinary skill in the art would recognize many variations, alternatives, and modifications. The waveform **671** represents the voltage **571** as a function of time as shown in FIG. **6A**, the waveform **675** represents the sensing voltage **575** as a function of time as shown in FIG. **6A**, and the waveform **962** represents the stage-timing signal **862** as a function of time.

In one embodiment, the TRIAC dimmer **510** is a leading-edge TRIAC dimmer, which clips part of the waveform that corresponds to the phase angel from ϕ_i to ϕ_c . For example, ϕ_c minus ϕ_i is equal to ϕ_{dim_off} , which corresponds to a time duration (e.g., T_{dim_off}) when the TRIAC dimmer **510** is not fired on. In another embodiment, the unclipped part of the waveform corresponds to the phase angel from ϕ_c to ϕ_f . For example, ϕ_f minus ϕ_c is equal to ϕ_{dim_on} , which corresponds to a time duration (e.g., T_{dim_on}) when the TRIAC dimmer **510** is fired on.

In another embodiment, time t_5 is approximately equal to time t_4 , and the phase angel ϕ_f approximately corresponds to time t_4 . For example, the time duration T_{dim_off} when the TRIAC dimmer **510** is not fired on starts at time t_0 and ends at t_2 . In another example, the time duration T_{dim_on} when the TRIAC dimmer **510** is fired on starts at time t_2 and ends approximately at t_4 . In yet another example, one period T_M of the voltage **571** starts at time t_0 and ends approximately at time t_4 .

In yet another embodiment, one period T_M of the voltage **571** is determined as follows:

$$T_M = T_{dim_off} + T_{dim_on} \quad (\text{Equation 3})$$

where T_M represents one period of the voltage **571**. Additionally, T_{dim_off} represents a time duration when the TRIAC dimmer **510** is not fired on, and T_{dim_on} represents a time duration when the TRIAC dimmer **510** is fired on.

According to one embodiment, the stage-1 time duration T_{s1} starts at time t_2 and ends at time t_3 . For example, as shown by the waveform **962**, the stage-timing signal **862** changes from a logic low level to a logic high level at time t_2 , remains at the logic high level from time t_2 to time t_3 , and changes from the logic high level back to the logic low level at time t_3 .

According to another embodiment, the stage-2 time duration T_{s2} starts at time t_4 and ends at time t_6 . For example, as shown by the waveform **962**, the stage-timing signal **862** changes from the logic low level to the logic high level at time t_4 , remains at the logic high level from time t_4 to time t_6 , and changes from the logic high level back to the logic low level at time t_6 . In another example, time t_4 is after time t_3 .

In one embodiment, the stage-1 time duration T_{s1} starts at time t_2 , which is the end of the time duration T_{dim_off} when the TRIAC dimmer **510** is not fired on. For example, the signal **812** changes from the logic low level to the logic high at time t_2 , and in response, the stage-timing signal generator **860** changes the stage-timing signal **862** from the logic low level to the logic high level at time t_2 , indicating the beginning of the stage-1 time duration T_{s1} .

In another embodiment, the stage-1 time duration T_{s1} ends at time t_3 , which is the end of a predetermined time duration T_P from the time when the voltage **571** becomes smaller than the threshold voltage V_{th1_b} . For example, the signal **812** changes from the logic high level to the logic low level at time t_3 , and in response, the stage-timing signal generator **860**, after the predetermined time duration T_P , changes the stage-timing signal **862** from the logic high level to the logic low level at time t_3 , indicating the end of the stage-1 time duration T_{s1} .

In yet another embodiment, the stage-1 time duration T_{s1} is larger than or equal to zero but smaller than or equal to T_{s1_max} in magnitude, as shown by the waveform **710** of FIG. **7**. For example, time t_3 is larger than or equal to time t_2 in magnitude. In another example, time t_3 minus time t_2 is smaller than or equal to T_{s1_max} in magnitude.

According to one embodiment, as shown in FIG. **9A**, time t_{-1} is approximately equal to time t_4 , and the following can be obtained:

$$T_{dim_off} + T_{s1} = T_P \quad (\text{Equation 4})$$

where T_{dim_off} represents the time duration when the TRIAC dimmer **510** is not fired on, and T_{s1} represents a stage-1 time duration. Additionally, T_P represents a predetermined time duration. For example, the stage-1 time duration T_{s1} satisfies Equation 4, and the stage-1 time duration T_{s1} is also larger than or equal to zero but smaller than or equal to T_{s1_max} in magnitude as shown by the waveform **710** of FIG. **7**.

According to another embodiment, based on Equations 3 and 4, the following can be obtained:

$$T_{s1} = T_{dim_on} - (T_M - T_P) \quad (\text{Equation 5})$$

where T_{s1} represents the stage-1 time duration, and T_{dim_on} represents the time duration when the TRIAC dimmer **510** is fired on. Additionally, T_M represents one period of the voltage **571**, and T_P represents a predetermined time duration. For example, the stage-1 time duration T_{s1} satisfies Equation 5, and the stage-1 time duration T_{s1} is also larger than zero but smaller than T_{s1_max} as shown by the waveform **710** of FIG. **7**.

According to yet another embodiment, a time duration when the TRIAC dimmer **510** is fired on has the following relationship with a dimming-control phase angle:

$$T_{dim_on} = k \times \phi_{dim_on} \quad (\text{Equation 6})$$

where T_{dim_on} represents the time duration when the TRIAC dimmer **510** is fired on, and ϕ_{dim_on} represents the dimming-control phase angle. Additionally, k represents a constant. For example, based on Equations 5 and 6, the following can also be obtained:

$$T_{s1} = k \times \phi_{dim_on} - (T_M - T_P) \quad (\text{Equation 7})$$

where T_{s1} represents the stage-1 time duration, and ϕ_{dim_on} represents the dimming-control phase angle. Additionally, k represents a constant. Moreover, T_M represents one period of the voltage **571**, and T_P represents a predetermined time duration. In another example, the stage-1 time duration T_{s1} satisfies Equation 7, and the stage-1 time duration T_{s1} is also larger than or equal to zero but smaller than or equal to T_{s1_max} in magnitude, as shown by the waveform **710** of FIG. **7**.

In one embodiment, the stage-2 time duration T_{s2} starts at time t_4 . For example, the signal **812** changes from the logic high level to the logic low at time t_4 , and in response, the stage-timing signal generator **860** changes the stage-timing signal **862** from the logic low level to the logic high level at time t_4 , indicating the beginning of the stage-2 time duration T_{s2} .

In another embodiment, the stage-2 time duration T_{s2} ends at time t_6 , which is the time when the capacitor **530** is completely discharged. For example, the timing signal **834** indicates that the capacitor **530** becomes completely discharged at time t_6 , and in response, the stage-timing signal generator **860** changes the stage-timing signal **862** from the logic high level to the logic low level at time t_6 , indicating the end of the stage-2 time duration T_{s2} .

In yet another embodiment, the stage-2 time duration T_{s2} is larger than or equal to zero but smaller than or equal to T_{s2_max} in magnitude, as shown by the waveform **720** of FIG. **7**. For example, time t_6 is larger than or equal to time t_4 in magnitude. In another example, time t_6 minus time t_4 is smaller than or equal to T_{s2_max} in magnitude.

As shown in FIG. 9A, corresponding to each period (e.g., corresponding to each T_M) of the voltage 571, there are a stage-1 time duration (e.g., T_{s1}) and a stage-2 time duration (e.g., T_{s2}) according to certain embodiments. In one embodiment, corresponding to one period of the voltage 571 (e.g., from time t_0 to time t_5), the stage-1 time duration T_{s1} starts at time t_2 and ends at time t_3 , and the stage-2 time duration T_{s2} starts at time t_4 and ends at time t_6 . In another embodiment, corresponding to a previous period of the voltage 571 (e.g., ending at time t_0), the stage-2 time duration T_{s2} starts at time t_{-1} and ends at time t_1 .

In yet another embodiment, the stage-timing signal 862 changes from the logic low level to the logic high level at time t_{-1} , remains at the logic high level from time t_{-1} to time t_1 , changes from the logic high level to the logic low level at time t_1 , remains at the logic low level from time t_1 to time t_2 , changes from the logic low level to the logic high level at time t_2 , remains at the logic high level from time t_2 to time t_3 , changes from the logic high level to the logic low level at time t_3 , remains at the logic low level from time t_3 to time t_4 , changes from the logic low level to the logic high level at time t_4 , remains at the logic high level from time t_4 to t_6 , and changes from the logic high level to the logic low level at time t_6 .

According to one embodiment, corresponding to one period of the voltage 571 (e.g., from time t_0 to time t_5), the stage-1 time duration (e.g., T_{s1} from time t_2 to time t_3) falls within the time duration when the TRIAC dimmer 510 is fired on (e.g., T_{dim_on} from time t_2 to time t_5), and the stage-2 time duration (e.g., T_{s2} from time t_4 to time t_6) at least mostly falls outside of the time duration when the TRIAC dimmer 510 is fired on (e.g., T_{dim_on} from time t_2 to time t_5). For example, corresponding to the period of the voltage 571 (e.g., from time t_0 to time t_5), during the stage-1 time duration (e.g., T_{s1}) and during the stage-2 time duration (e.g., T_{s2}), the sensing voltage 575 ramps up and down and the current 561 also ramps up and down. In another example, corresponding to the period of the voltage 571 (e.g., from time t_0 to time t_5), outside the stage-1 time duration (e.g., T_{s1}) and the stage-2 time duration (e.g., T_{s2}), the sensing voltage 575 remains equal to zero. In yet another example, corresponding to the period of the voltage 571 (e.g., from time t_0 to time t_5), outside the stage-1 time duration (e.g., T_{s1}) and the stage-2 time duration (e.g., T_{s2}), the current 561 charges the capacitor 532. According to another embodiment, corresponding to a previous period of the voltage 571 (e.g., ending at time t_5), during the stage-2 time duration T_{s2} (e.g., starting at time t_{-1} and ending at time t_1), the sensing voltage 575 ramps up and down and the current 561 also ramps up and down.

FIG. 9B shows certain timing diagrams for the lighting system 500 as shown in FIG. 5 and FIG. 6B if the TRIAC dimmer 510 is a trailing-edge TRIAC dimmer according to another embodiment of the present invention. These diagrams are merely examples, which should not unduly limit the scope of the claims. One of ordinary skill in the art would recognize many variations, alternatives, and modifications. The waveform 681 represents the voltage 571 as a function of time as shown in FIG. 6B, the waveform 675 represents the sensing voltage 575 as a function of time as shown in FIG. 6B, and the waveform 972 represents the stage-timing signal 862 as a function of time.

In one embodiment, the TRIAC dimmer 510 is a trailing-edge TRIAC dimmer, which clips part of the waveform that corresponds to the phase angle from ϕ_c to ϕ_f . For example, ϕ_f minus ϕ_c is equal to ϕ_{dim_off} , which corresponds to a time duration (e.g., T_{dim_off}) when the TRIAC dimmer 510 is not

fired on. In another embodiment, the unclipped part of the waveform corresponds to the phase angle from ϕ_i to ϕ_c . For example, ϕ_c minus ϕ_i is equal to ϕ_{dim_on} , which corresponds to a time duration (e.g., T_{dim_on}) when the TRIAC dimmer 510 is fired on.

In another embodiment, time t_{10} is approximately equal to time t_{11} , and the phase angle ϕ_i approximately corresponds to time t_{11} . For example, the time duration T_{dim_off} when the TRIAC dimmer 510 is not fired on starts at time t_{13} and ends at t_{15} . In another example, the time duration T_{dim_on} when the TRIAC dimmer 510 is fired on starts at approximately time t_{11} and ends at t_{13} . In yet another example, one period T_M of the voltage 571 starts approximately at time t_{11} and ends at time t_{15} .

In yet another embodiment, one period T_M of the voltage 571 is determined as follows:

$$T_M = T_{dim_off} + T_{dim_on} \quad (\text{Equation 8})$$

where T_M represents one period of the voltage 571. Additionally, T_{dim_off} represents a time duration when the TRIAC dimmer 510 is not fired on, and ϕ_{dim_on} represents a time duration when the TRIAC dimmer 510 is fired on.

According to one embodiment, the stage-1 time duration T_{s1} starts at time t_{12} and ends at time t_{13} . For example, as shown by the waveform 972, the stage-timing signal 862 changes from a logic low level to a logic high level at time t_{12} , remains at the logic high level from time t_{12} to time t_{13} . According to another embodiment, the stage-2 time duration T_{s2} starts at time t_{13} and ends at time t_{14} . For example, as shown by the waveform 972, the stage-timing signal 862 remains at the logic high level from time t_{13} to time t_{14} , and changes from the logic high level back to the logic low level at time t_{14} . According to yet another embodiment, the combination of the stage-1 time duration T_{s1} and the stage-2 time duration T_{s2} starts at time t_{12} and ends at time t_{14} . For example, as shown by the waveform 972, the stage-timing signal 862 changes from the logic low level to the logic high level at time t_{12} , remains at the logic high level from time t_{12} to time t_{14} , and changes from the logic high level back to the logic low level at time t_{14} .

In one embodiment, the stage-1 time duration T_{s1} starts at time t_{12} , which is the end of a predetermined time duration T_Q from the time when the voltage 571 becomes larger than the threshold voltage $V_{th2,a}$. For example, the phase signal 812 changes from the logic low level to the logic high level at time t_{11} , and in response, the stage-timing signal generator 860, after the predetermined time duration T_Q , changes the stage-timing signal 862 from the logic low level to the logic high level at time t_{12} , indicating the beginning of the stage-1 time duration T_{s1} .

In another embodiment, the stage-1 time duration T_{s1} ends at time t_{12} , which is the end of the time duration T_{dim_on} when the TRIAC dimmer 510 is fired on. For example, the stage-1 time duration T_{s1} is larger than or equal to zero but smaller than or equal to T_{s1_max} in magnitude, as shown by the waveform 710 of FIG. 7. For example, time t_{13} is larger than or equal to time t_{12} in magnitude. In another example, time t_{13} minus time t_{12} is smaller than or equal to T_{s1_max} in magnitude.

According to one embodiment, as shown in FIG. 9B, the following can be obtained:

$$T_Q + T_{s1} = T_{dim_on} \quad (\text{Equation 9})$$

where T_Q represents a predetermined time duration, and T_{s1} represents a stage-1 time duration. Additionally, T_{dim_on} represents the time duration when the TRIAC dimmer 510 is fired on. For example, the stage-1 time duration T_{s1}

satisfies Equation 9, and the stage-1 time duration T_{s1} is also larger than or equal to zero but smaller than or equal to T_{s1_max} in magnitude as shown by the waveform **710** of FIG. 7.

According to another embodiment, based on Equation 9, the following can be obtained:

$$T_{s1} = T_{dim_on} - T_Q \quad (\text{Equation 10})$$

where T_{s1} represents the stage-1 time duration, and T_{dim_on} represents the time duration when the TRIAC dimmer **510** is fired on. Additionally, T_Q represents a predetermined time duration. For example, the stage-1 time duration T_{s1} satisfies Equation 10, and the stage-1 time duration T_{s1} is also larger than zero but smaller than T_{s1_max} as shown by the waveform **710** of FIG. 7.

According to yet another embodiment, a time duration when the TRIAC dimmer **510** is fired on has the following relationship with a dimming-control phase angle:

$$T_{dim_on} = k \times \phi_{dim_on} \quad (\text{Equation 11})$$

where T_{dim_on} represents the time duration when the TRIAC dimmer **510** is fired on, and ϕ_{dim_on} represents the dimming-control phase angle. Additionally, k represents a constant. For example, based on Equations 10 and 11, the following can also be obtained:

$$T_{s1} = k \times \phi_{dim_on} - T_Q \quad (\text{Equation 12})$$

where T_{s1} represents the stage-1 time duration, and ϕ_{dim_on} represents the dimming-control phase angle. Additionally, k represents a constant, and T_Q represents a predetermined time duration. In another example, the stage-1 time duration T_{s1} satisfies Equation 12, and the stage-1 time duration T_{s1} is also larger than or equal to zero but smaller than or equal to T_{s1_max} in magnitude, as shown by the waveform **710** of FIG. 7.

In one embodiment, the stage-2 time duration T_{s2} starts at time t_{13} , which is the end of the stage-1 time duration T_{s1} . For example, at time t_{13} , the stage-timing signal generator **860** keeps the stage-timing signal **862** at the logic high level. In another embodiment, the stage-2 time duration T_{s2} ends at time t_{14} . For example, the signal **812** changes from the logic high level to the logic low at time t_{14} , and in response, the stage-timing signal generator **860** changes the stage-timing signal **862** from the logic high level to the logic low level at time t_{14} , indicating the end of the stage-2 time duration T_{s2} .

In yet another embodiment, the stage-2 time duration T_{s2} is larger than or equal to zero but smaller than or equal to T_{s2_max} in magnitude, as shown by the waveform **720** of FIG. 7. For example, time t_{14} is larger than or equal to time t_{13} in magnitude. In another example, time t_{14} minus time t_{13} is smaller than or equal to T_{s2_max} in magnitude. In yet another embodiment, the stage-timing signal **862** changes from the logic low level to the logic high level at time t_{12} , remains at the logic high level from time t_{12} to time t_{14} , and changes from the logic high level back to the logic low level at time t_{14} . For example, time t_{12} is no later than time t_{14} .

As shown in FIG. 9B, corresponding to each period (e.g., corresponding to each T_M) of the voltage **571**, there are a stage-1 time duration (e.g., T_{s1}) and a stage-2 time duration (e.g., T_{s2}) according to certain embodiments. In one embodiment, corresponding to one period of the voltage **571** (e.g., from time t_{10} to time t_{15}), the stage-1 time duration T_{s1} starts at time t_{12} and ends at time t_{13} , and the stage-2 time duration T_{s2} starts at time t_{13} and ends at time t_{14} . In another embodiment, the stage-timing signal **862** changes from the logic low level to the logic high level at time t_{12} , remains at

the logic high level from time t_{12} to time t_{14} , and changes from the logic high level to the logic low level at time t_{14} .

According to one embodiment, corresponding to one period of the voltage **571** (e.g., from time t_{10} to time t_{15}), the stage-1 time duration (e.g., T_{s1} from time t_{12} to time t_{13}) falls within the time duration when the TRIAC dimmer **510** is fired on (e.g., T_{dim_on} from time t_{10} to time t_{13}), and the stage-2 time duration (e.g., T_{s2} from time t_{13} to time t_{14}) falls within the time duration when the TRIAC dimmer **510** is not fired on (e.g., T_{dim_off} from time t_{13} to time t_{15}). For example, corresponding to the period of the voltage **571** (e.g., from time t_{10} to time t_{15}), during the stage-1 time duration (e.g., T_{s1}) and during the stage-2 time duration (e.g., T_{s2}), the sensing voltage **575** ramps up and down and the current **561** also ramps up and down. In another example, corresponding to the period of the voltage **571** (e.g., from time t_{10} to time t_{15}), outside the stage-1 time duration (e.g., T_{s1}) and the stage-2 time duration (e.g., T_{s2}), the sensing voltage **575** remains equal to zero. In yet another example, corresponding to the period of the voltage **571** (e.g., from time t_{10} to time t_{15}), outside the stage-1 time duration (e.g., T_{s1}) and the stage-2 time duration (e.g., T_{s2}), the current **561** charges the capacitor **532**.

Certain embodiments of the present invention provide stage-based dimmer control systems and methods with high compatibility, low costs, and/or high efficiency. For example, the stage-based dimmer control systems and methods do not include a bleeder; hence the system layouts are simplified with high compatibility achieved. In another example, the stage-based dimmer control systems and methods use one or more control mechanisms in order to reduce bill of materials (BOM), raise energy efficiency, and lower system costs, while providing users with satisfactory dimming effects for light emitting diodes. In yet another example, the stage-based dimmer control systems and methods use a stage-1 time duration (e.g., T_{s1}) and a stage-2 time duration (e.g., T_{s2}), and each of these time durations is a function of dimming-control phase angle ϕ_{dim_on} as shown in FIG. 7.

According to another embodiment, a system controller (e.g., the modulation controller **540**) for a lighting system (e.g., the lighting system **500**) includes a first controller terminal (e.g., the controller terminal **542**) configured to receive a first signal (e.g., the voltage **571**), and a second controller terminal (e.g., the controller terminal **552**) coupled to a first transistor terminal of a transistor (e.g., the gate terminal of the transistor **562**). The transistor further includes a second transistor terminal (e.g., the drain terminal of the transistor **562**) and a third transistor terminal (e.g., the source terminal of the transistor **562**). The second transistor terminal is coupled to a first winding terminal of a winding (e.g., the winding **560**), and the winding (e.g., the winding **560**) further includes a second winding terminal coupled to a capacitor (e.g., the capacitor **530**). Additionally, the system controller includes a third controller terminal (e.g., the controller terminal **554**) coupled to the third transistor terminal of the transistor (e.g., the source terminal of the transistor **562**), and a fourth controller terminal (e.g., the controller terminal **558**) coupled to a resistor (e.g., the resistor **574**) and configured to receive a second signal (e.g., the sensing voltage **575**). The second signal represents a magnitude of a current (e.g., the current **561**) flowing through at least the winding (e.g., the winding **560**), the third controller terminal (e.g., the controller terminal **554**), the fourth controller terminal (e.g., the controller terminal **558**), and the resistor (e.g., the resistor **574**). The system controller (e.g., the modulation controller **540**) is configured to: in

response to the first signal (e.g., the voltage 571) becoming larger than a first threshold (e.g., the threshold voltage V_{th1_a}) in magnitude at a first time (e.g., the time t_2), cause the second signal (e.g., the sensing voltage 575) to ramp up and down during a first duration of time (e.g., the stage-1 time duration T_{s1}); and in response to the first signal (e.g., the voltage 571) becoming smaller than a second threshold (e.g., the threshold voltage V_{th1_b}) in magnitude at a third time (e.g., the time t_4), cause the second signal (e.g., the sensing voltage 575) to ramp up and down during a second duration of time (e.g., the stage-2 time duration T_{s2}). The first duration of time (e.g., the stage-1 time duration T_{s1}) starts at the first time (e.g., the time t_2) and ends at a second time (e.g., the time t_3). The second duration of time (e.g., the stage-2 time duration T_{s2}) starts at the third time (e.g., the time t_4) and ends at a fourth time (e.g., the time t_6). The system controller (e.g., the modulation controller 540) is further configured to cause the second signal (e.g., the sensing voltage 575) to remain equal to a constant magnitude from the second time (e.g., the time t_3) to the third time (e.g., the time t_4). The first time (e.g., the time t_2) is earlier than the second time (e.g., the time t_3), the second time (e.g., the time t_3) is earlier than the third time (e.g., the time t_4), and the third time (e.g., the time t_4) is earlier than the fourth time (e.g., the time t_6). For example, the system controller (e.g., the modulation controller 540) is implemented according to at least FIG. 5, FIG. 6A, and/or FIG. 9A.

In another example, the system controller (e.g., the modulation controller 540) is further configured to: in response to the first signal (e.g., the voltage 571) becoming smaller than the second threshold (e.g., the threshold voltage V_{th1_b}) in magnitude at a previous time (e.g., the time t_{-1}) earlier than the first time (e.g., the time t_2), determine the second time (e.g., the time t_3) to be a predetermined time duration (e.g., the predetermined time duration T_p) after the previous time (e.g., the time t_{-1}).

In yet another example, the fourth time (e.g., the time t_6) is a time when the capacitor (e.g., the capacitor 530) becomes completely discharged. In yet another example, the first threshold (e.g., the threshold voltage V_{th1_a}) and the second threshold (e.g., the threshold voltage V_{th1_b}) are equal. In yet another example, the first threshold (e.g., the threshold voltage V_{th1_a}) and the second threshold (e.g., the threshold voltage V_{th1_b}) are not equal. In yet another example, the constant magnitude is equal to zero. In yet another example, each of the first controller terminal (e.g., the controller terminal 542), the second controller terminal (e.g., the controller terminal 552), the third controller terminal (e.g., the controller terminal 554), and the fourth controller terminal (e.g., the controller terminal 558) is a pin.

According to yet another embodiment, a system controller (e.g., the modulation controller 540) for a lighting system (e.g., the lighting system 500) includes a first controller terminal (e.g., the controller terminal 542) configured to receive a first signal (e.g., the voltage 571), and a second controller terminal (e.g., the controller terminal 552) coupled to a first transistor terminal of a transistor (e.g., the gate terminal of the transistor 562). The transistor further includes a second transistor terminal (e.g., the drain terminal of the transistor 562) and a third transistor terminal (e.g., the source terminal of the transistor 562), and the second transistor terminal is coupled to a winding (e.g., the winding 560). Additionally, the system controller (e.g., the modulation controller 540) further includes a third controller terminal (e.g., the controller terminal 554) coupled to the third transistor terminal of the transistor (e.g., the source terminal of the transistor 562), and a fourth controller terminal (e.g.,

the controller terminal 558) coupled to a resistor (e.g., the resistor 574) and configured to receive a second signal (e.g., the sensing voltage 575). The second signal represents a magnitude of a current (e.g., the current 561) flowing through at least the winding (e.g., the winding 560), the third controller terminal (e.g., the controller terminal 554), the fourth controller terminal (e.g., the controller terminal 558), and the resistor (e.g., the resistor 574). The system controller (e.g., the modulation controller 540) is configured to: in response to the first signal (e.g., the voltage 571) becoming larger than a first threshold (e.g., the threshold voltage V_{th2_a}) in magnitude at a first time (e.g., the time t_{11}), cause the second signal (e.g., the sensing voltage 575) to ramp up and down during a duration of time (e.g., the two-stage total time duration T_{st}). The duration of time (e.g., the two-stage total time duration T_{st}) starts at a second time (e.g., the time t_{12}) and ends at a third time (e.g., the time t_{14}). The third time (e.g., the time t_{14}) is a time when the first signal (e.g., the voltage 571) becomes smaller than a second threshold (e.g., the threshold voltage V_{th2_b}) in magnitude. The system controller (e.g., the modulation controller 540) is further configured to cause the second signal (e.g., the sensing voltage 575) to remain equal to a constant magnitude from the first time (e.g., the time t_{11}) to the second time (e.g., the time t_{12}). The first time (e.g., the time t_{11}) is earlier than the second time (e.g., the time t_{12}), and the second time (e.g., the time t_{12}) is earlier than the third time (e.g., the time t_{14}). For example, the system controller (e.g., the modulation controller 540) is implemented according to at least FIG. 5, FIG. 6B, and/or FIG. 9B.

In another example, the system controller (e.g., the modulation controller 540) is further configured to: in response to the first signal (e.g., the voltage 571) becoming larger than the first threshold (e.g., the threshold voltage V_{th2_a}) in magnitude at the first time (e.g., the time t_{11}), determine the second time (e.g., the time t_{12}) to be a predetermined time duration (e.g., the predetermined time duration T_Q) after the first time (e.g., the time t_{11}). In yet another example, the first threshold (e.g., the threshold voltage V_{th2_a}) and the second threshold (e.g., the threshold voltage V_{th2_b}) are equal. In yet another example, the first threshold (e.g., the threshold voltage V_{th2_a}) and the second threshold (e.g., the threshold voltage V_{th2_b}) are not equal. In yet another example, the constant magnitude is equal to zero. In yet another example, each of the first controller terminal (e.g., the controller terminal 542), the second controller terminal (e.g., the controller terminal 552), the third controller terminal (e.g., the controller terminal 554), and the fourth controller terminal (e.g., the controller terminal 558) is a pin.

According to yet another embodiment, a system controller (e.g., the modulation controller 540) for a lighting system (e.g., the lighting system 500) includes a first controller terminal (e.g., the controller terminal 542) configured to receive a first signal (e.g., the voltage 571). The first signal is related to a dimming-control phase angle (e.g., Φ_{dim_on}). Additionally, the system controller (e.g., the modulation controller 540) includes a second controller terminal (e.g., the controller terminal 552) coupled to a first transistor terminal of a transistor (e.g., the gate terminal of the transistor 562). The transistor further includes a second transistor terminal (e.g., the drain terminal of the transistor 562) and a third transistor terminal (e.g., the source terminal of the transistor 562), and the second transistor terminal is coupled to a winding (e.g., the winding 560). Moreover, the system controller (e.g., the modulation controller 540) includes a third controller terminal (e.g., the controller terminal 554) coupled to the third transistor terminal of the

transistor (e.g., the source terminal of the transistor 562), and a fourth controller terminal (e.g., the controller terminal 558) coupled to a resistor (e.g., the resistor 574) and configured to receive a second signal (e.g., the sensing voltage 575). The second signal represents a magnitude of a current (e.g., the current 561) flowing through at least the winding (e.g., the winding 560), the third controller terminal (e.g., the controller terminal 554), the fourth controller terminal (e.g., the controller terminal 558), and the resistor (e.g., the resistor 574). The system controller (e.g., the modulation controller 540) is configured to, in response to the first signal (e.g., the voltage 571) satisfying one or more predetermined conditions: cause the second signal (e.g., the sensing voltage 575) to ramp up and down during a first duration of time (e.g., the stage-1 time duration T_{s1}); and cause the second signal (e.g., the sensing voltage 575) to ramp up and down during a second duration of time (e.g., the stage-2 time duration T_{s2}). The first duration of time (e.g., the stage-1 time duration T_{s1}) starts at a first time and ends at a second time, and the second time is the same as or later than the first time. The second duration of time (e.g., the stage-2 time duration T_{s2}) starts at a third time and ends at a fourth time, and the fourth time is the same as or later than the third time. The system controller (e.g., the modulation controller 540) is further configured to: in response to the dimming-control phase angle (e.g., ϕ_{dim_on}) increasing from a first angle magnitude (e.g., 0°) to a second angle magnitude (e.g., ϕ_B), keep the first duration of time at a first predetermined constant; in response to the dimming-control phase angle (e.g., ϕ_{dim_on}) increasing from the second angle magnitude (e.g., ϕ_B) to a third angle magnitude (e.g., ϕ_C), increase the first duration of time; and in response to the dimming-control phase angle (e.g., ϕ_{dim_on}) increasing from the third angle magnitude (e.g., ϕ_C) to a fourth angle magnitude (e.g., 180°), keep the first duration of time at a second predetermined constant (e.g., T_{s1_max}). For example, the system controller (e.g., the modulation controller 540) is implemented according to at least FIG. 5, FIG. 6A, FIG. 6B, FIG. 7, FIG. 9A, and/or FIG. 9B.

In another example, the second time is earlier than the third time. In yet another example, the second time is the same as the third time. In yet another example, the first angle magnitude is equal to 0° , and the fourth angle magnitude is equal to 180° . In yet another example, the first predetermined constant is equal to zero. In yet another example, the system controller (e.g., the modulation controller 540) is further configured to, in response to the dimming-control phase angle (e.g., ϕ_{dim_on}) increasing from the second angle magnitude (e.g., ϕ_B) to the third angle magnitude (e.g., ϕ_C), increase the first duration of time linearly with the increasing dimming-control phase angle at a constant slope (e.g., the slope SL_1). In yet another example, the second predetermined constant (e.g., T_{s1_max}) is larger than zero.

According to yet another embodiment, a system controller (e.g., the modulation controller 540) for a lighting system (e.g., the lighting system 500) includes a first controller terminal (e.g., the controller terminal 542) configured to receive a first signal (e.g., the voltage 571). The first signal is related to a dimming-control phase angle (e.g., ϕ_{dim_on}). Additionally, the system controller (e.g., the modulation controller 540) includes a second controller terminal (e.g., the controller terminal 552) coupled to a first transistor terminal of a transistor (e.g., the gate terminal of the transistor 562). The transistor further includes a second transistor terminal (e.g., the drain terminal of the transistor 562) and a third transistor terminal (e.g., the source terminal of the transistor 562), and the second transistor terminal is

coupled to a winding (e.g., the winding 560). Moreover, the system controller (e.g., the modulation controller 540) includes a third controller terminal (e.g., the controller terminal 554) coupled to the third transistor terminal of the transistor (e.g., the source terminal of the transistor 562), and a fourth controller terminal (e.g., the controller terminal 558) coupled to a resistor (e.g., the resistor 574) and configured to receive a second signal (e.g., the sensing voltage 575). The second signal represents a magnitude of a current (e.g., the current 561) flowing through at least the winding (e.g., the winding 560), the third controller terminal (e.g., the controller terminal 554), the fourth controller terminal (e.g., the controller terminal 558), and the resistor (e.g., the resistor 574). The system controller (e.g., the modulation controller 540) is configured to, in response to the first signal (e.g., the voltage 571) satisfying one or more predetermined conditions: cause the second signal (e.g., the sensing voltage 575) to ramp up and down during a first duration of time (e.g., the stage-1 time duration T_{s1}); and cause the second signal (e.g., the sensing voltage 575) to ramp up and down during a second duration of time (e.g., the stage-2 time duration T_{s2}). The first duration of time (e.g., the stage-1 time duration T_{s1}) starts at a first time and ends at a second time, and the second time is the same as or later than the first time. The second duration of time (e.g., the stage-2 time duration T_{s2}) starts at a third time and ends at a fourth time, and the fourth time is the same as or later than the third time. The system controller (e.g., the modulation controller 540) is further configured to: in response to the dimming-control phase angle (e.g., ϕ_{dim_on}) increasing from a first angle magnitude (e.g., 0°) to a second angle magnitude (e.g., ϕ_A), keep the second duration of time at a first predetermined constant; in response to the dimming-control phase angle (e.g., ϕ_{dim_on}) increasing from the second angle magnitude (e.g., ϕ_A) to a third angle magnitude (e.g., ϕ_B), increase the second duration of time; and in response to the dimming-control phase angle (e.g., ϕ_{dim_on}) increasing from the third angle magnitude (e.g., ϕ_B) to a fourth angle magnitude (e.g., 180°), keep the second duration of time at a second predetermined constant (e.g., T_{s2_max}). For example, the system controller (e.g., the modulation controller 540) is implemented according to at least FIG. 5, FIG. 6A, FIG. 6B, FIG. 7, FIG. 9A, and/or FIG. 9B.

In another example, the second time is earlier than the third time. In yet another example, the second time is the same as the third time. In yet another example, the first angle magnitude is equal to 0° , and the fourth angle magnitude is equal to 180° . In yet another example, the first predetermined constant is equal to zero. In yet another example, the system controller (e.g., the modulation controller 540) is further configured to, in response to the dimming-control phase angle (e.g., ϕ_{dim_on}) increasing from the second angle magnitude (e.g., ϕ_A) to the third angle magnitude (e.g., ϕ_B), increase the second duration of time linearly with the increasing dimming-control phase angle at a constant slope (e.g., the slope SL_2). In yet another example, the second predetermined constant (e.g., T_{s2_max}) is larger than zero.

According to yet another embodiment, a system controller (e.g., the modulation controller 540) for a lighting system (e.g., the lighting system 500) includes a first controller terminal (e.g., the controller terminal 542) configured to receive a first signal (e.g., the voltage 571). The first signal is related to a dimming-control phase angle (e.g., ϕ_{dim_on}). Additionally, the system controller (e.g., the modulation controller 540) includes a second controller terminal (e.g., the controller terminal 552) coupled to a first transistor terminal of a transistor (e.g., the gate terminal of the

transistor 562). The transistor further includes a second transistor terminal (e.g., the drain terminal of the transistor 562) and a third transistor terminal (e.g., the source terminal of the transistor 562), and the second transistor terminal is coupled to a winding (e.g., the winding 560). Moreover, the system controller (e.g., the modulation controller 540) includes a third controller terminal (e.g., the controller terminal 554) coupled to the third transistor terminal of the transistor (e.g., the source terminal of the transistor 562), and a fourth controller terminal (e.g., the controller terminal 558) coupled to a resistor (e.g., the resistor 574) and configured to receive a second signal (e.g., the sensing voltage 575). The second signal represents a magnitude of a current (e.g., the current 561) flowing through at least the winding (e.g., the winding 560), the third controller terminal (e.g., the controller terminal 554), the fourth controller terminal (e.g., the controller terminal 558), and the resistor (e.g., the resistor 574). The system controller (e.g., the modulation controller 540) is configured to, in response to the first signal (e.g., the voltage 571) satisfying one or more predetermined conditions: cause the second signal (e.g., the sensing voltage 575) to ramp up and down during a first duration of time (e.g., the stage-1 time duration T_{s1}); and cause the second signal (e.g., the sensing voltage 575) to ramp up and down during a second duration of time (e.g., the stage-2 time duration T_{s2}). The first duration of time (e.g., the stage-1 time duration T_{s1}) starts at a first time and ends at a second time, and the second time is the same as or later than the first time. The second duration of time (e.g., the stage-2 time duration T_{s2}) starts at a third time and ends at a fourth time, and the fourth time is the same as or later than the third time. The sum of the first duration of time (e.g., the stage-1 time duration T_{s1}) and the second duration of time (e.g., the stage-2 time duration T_{s2}) is equal to a total duration of time (e.g., the two-stage total time duration T_{st}). The system controller (e.g., the modulation controller 540) is further configured to: in response to the dimming-control phase angle (e.g., ϕ_{dim_on}) increasing from a first angle magnitude (e.g., 0°) to a second angle magnitude (e.g., ϕ_A), keep the total duration of time at a first predetermined constant; in response to the dimming-control phase angle (e.g., ϕ_{dim_on}) increasing from the second angle magnitude (e.g., ϕ_A) to a third angle magnitude (e.g., ϕ_C), increase the total duration of time; and in response to the dimming-control phase angle (e.g., ϕ_{dim_on}) increasing from the third angle magnitude (e.g., ϕ_C) to a fourth angle magnitude (e.g., 180°), keep the total duration of time at a second predetermined constant (e.g., T_{st_max}). For example, the system controller (e.g., the modulation controller 540) is implemented according to at least FIG. 5, FIG. 6A, FIG. 6B, FIG. 7, FIG. 9A, and/or FIG. 9B.

In another example, the second time is earlier than the third time. In yet another example, the second time is the same as the third time. In yet another example, the first angle magnitude is equal to 0° , and the fourth angle magnitude is equal to 180° . In yet another example, the first predetermined constant is equal to zero. In yet another example, the second predetermined constant (e.g., T_{st_max}) is larger than zero.

In yet another example, the system controller (e.g., the modulation controller 540) is further configured to, in response to the dimming-control phase angle (e.g., ϕ_{dim_on}) increasing from the second angle magnitude (e.g., ϕ_A) to the third angle magnitude (e.g., ϕ_C): increase the total duration of time linearly at a first constant slope (e.g., the slope STL_1) in response to the dimming-control phase angle increasing from the second angle magnitude (e.g., ϕ_A) to a fourth angle

magnitude (e.g., ϕ_B); and increase the total duration of time linearly at a second constant slope (e.g., the slope STL_2) in response to the dimming-control phase angle increasing from the fourth angle magnitude (e.g., ϕ_B) to the third angle magnitude (e.g., ϕ_C). The fourth angle magnitude (e.g., ϕ_B) is larger than the second angle magnitude (e.g., ϕ_A) and smaller than the third angle magnitude (e.g., ϕ_C). In yet another example, the first constant slope (e.g., the slope STL_1) and the second constant slope (e.g., the slope STL_2) are equal. In yet another example, the first constant slope (e.g., the slope STL_1) and the second constant slope (e.g., the slope STL_2) are not equal.

In yet another example, the total duration of time is equal to the first predetermined constant in response to the dimming-control phase angle (e.g., ϕ_{dim_on}) being equal to the second angle magnitude (e.g., ϕ_A); the total duration of time is equal to an intermediate magnitude (e.g., T_{st_mid}) in response to the dimming-control phase angle being equal to the fourth angle magnitude (e.g., ϕ_B); and the total duration of time is equal to the second predetermined constant in response to the dimming-control phase angle (e.g., ϕ_{dim_on}) being equal to the third angle magnitude (e.g., ϕ_C). The intermediate magnitude (e.g., T_{st_mid}) is larger than the first predetermined constant and smaller than the second predetermined constant.

According to yet another embodiment, a system controller (e.g., the modulation controller 540) for a lighting system (e.g., the lighting system 500) includes a first controller terminal (e.g., the controller terminal 542) configured to receive a first signal (e.g., the voltage 571), and a second controller terminal (e.g., the controller terminal 552) coupled to a first transistor terminal of a transistor (e.g., the gate terminal of the transistor 562). The transistor further includes a second transistor terminal (e.g., the drain terminal of the transistor 562) and a third transistor terminal (e.g., the source terminal of the transistor 562), and the second transistor terminal is coupled to a first winding terminal of a winding (e.g., the winding 560). The winding (e.g., the winding 560) further includes a second winding terminal coupled to a capacitor (e.g., the capacitor 530). Additionally, the system controller (e.g., the modulation controller 540) includes a third controller terminal (e.g., the controller terminal 554) coupled to the third transistor terminal of the transistor (e.g., the source terminal of the transistor 562), and a fourth controller terminal (e.g., the controller terminal 558) coupled to a resistor (e.g., the resistor 574) and configured to receive a second signal (e.g., the sensing voltage 575). The second signal represents a magnitude of a current (e.g., the current 561) flowing through at least the winding (e.g., the winding 560), the third controller terminal (e.g., the controller terminal 554), the fourth controller terminal (e.g., the controller terminal 558), and the resistor (e.g., the resistor 574). The system controller (e.g., the modulation controller 540) is configured to determine whether or not a TRIAC dimmer is detected to be included in the lighting system and if the TRIAC dimmer is detected to be included in the lighting system, whether the TRIAC dimmer is a leading-edge TRIAC dimmer or a trailing-edge TRIAC dimmer. The system controller (e.g., the modulation controller 540) is further configured to, if the TRIAC dimmer is detected to be included in the lighting system and the TRIAC dimmer is the leading-edge TRIAC dimmer: in response to the first signal (e.g., the voltage 571) becoming larger than a first threshold (e.g., the threshold voltage V_{th_aa}) in magnitude at a first time (e.g., the time t_2), cause the second signal (e.g., the sensing voltage 575) to ramp up and down during a first duration of time (e.g., the stage-1

time duration T_{s1}); and in response to the first signal (e.g., the voltage 571) becoming smaller than a second threshold (e.g., the threshold voltage V_{th_bb}) in magnitude at a third time (e.g., the time t_4), cause the second signal (e.g., the sensing voltage 575) to ramp up and down during a second duration of time (e.g., the stage-2 time duration T_{s2}). The first duration of time (e.g., the stage-1 time duration T_{s1}) starts at the first time (e.g., the time t_2) and ends at a second time (e.g., the time t_3), and the second duration of time (e.g., the stage-2 time duration T_{s2}) starts at the third time (e.g., the time t_4) and ends at a fourth time (e.g., the time t_6). The system controller (e.g., the modulation controller 540) is further configured to, if the TRIAC dimmer is detected to be included in the lighting system and the TRIAC dimmer is the trailing-edge TRIAC dimmer: in response to the first signal (e.g., the voltage 571) becoming larger than the first threshold (e.g., the threshold voltage V_{th_aa}) in magnitude at a fifth time (e.g., the time t_{11}), cause the second signal (e.g., the sensing voltage 575) to ramp up and down during a duration of time (e.g., the two-stage total time duration T_{st}). The duration of time (e.g., the two-stage total time duration T_{st}) starts at a sixth time (e.g., the time t_{12}) and ends at a seventh time (e.g., the time t_{14}). The seventh time (e.g., the time t_{14}) is a time when the first signal (e.g., the voltage 571) becomes smaller than the second threshold (e.g., the threshold voltage V_{th_bb}) in magnitude. For example, the system controller (e.g., the modulation controller 540) is implemented according to at least FIG. 5, FIG. 8, FIG. 9A, and/or FIG. 9B.

In another example, the system controller (e.g., the modulation controller 540) is further configured to, if the TRIAC dimmer is detected to be included in the lighting system and the TRIAC dimmer is the leading-edge TRIAC dimmer, cause the second signal (e.g., the sensing voltage 575) to remain equal to a constant magnitude from the second time (e.g., the time t_3) to the third time (e.g., the time t_4). In yet another example, the system controller (e.g., the modulation controller 540) is further configured to, if the TRIAC dimmer is detected to be included in the lighting system and the TRIAC dimmer is the trailing-edge TRIAC dimmer, cause the second signal (e.g., the sensing voltage 575) to remain equal to a constant magnitude from the fifth time (e.g., the time t_{11}) to the sixth time (e.g., the time t_{12}).

According to yet another embodiment, a method for a lighting system (e.g., the lighting system 500) includes receiving a first signal (e.g., the voltage 571), and receiving a second signal (e.g., the sensing voltage 575). The second signal represents a magnitude of a current (e.g., the current 561) flowing through at least a winding (e.g., the winding 560). Additionally, the method includes: in response to the first signal (e.g., the voltage 571) becoming larger than a first threshold (e.g., the threshold voltage V_{th1_a}) in magnitude at a first time (e.g., the time t_2), causing the second signal (e.g., the sensing voltage 575) to ramp up and down during a first duration of time (e.g., the stage-1 time duration T_{s1}); and in response to the first signal (e.g., the voltage 571) becoming smaller than a second threshold (e.g., the threshold voltage V_{th1_b}) in magnitude at a third time (e.g., the time t_4), causing the second signal (e.g., the sensing voltage 575) to ramp up and down during a second duration of time (e.g., the stage-2 time duration T_{s2}). The first duration of time (e.g., the stage-1 time duration T_{s1}) starts at the first time (e.g., the time t_2) and ends at a second time (e.g., the time t_3), and the second duration of time (e.g., the stage-2 time duration T_{s2}) starts at the third time (e.g., the time t_4) and ends at a fourth time (e.g., the time t_6). Moreover, the method includes causing the second signal (e.g., the sensing voltage 575) to remain equal to a constant magnitude from the second time

(e.g., the time t_3) to the third time (e.g., the time t_4). The first time (e.g., the time t_2) is earlier than the second time (e.g., the time t_3), the second time (e.g., the time t_3) is earlier than the third time (e.g., the time t_4), and the third time (e.g., the time t_4) is earlier than the fourth time (e.g., the time t_6). For example, the method is implemented according to at least FIG. 5, FIG. 6A, and/or FIG. 9A.

In another example, the method further includes: in response to the first signal (e.g., the voltage 571) becoming smaller than the second threshold (e.g., the threshold voltage V_{th1_b}) in magnitude at a previous time (e.g., the time t_{-1}) earlier than the first time (e.g., the time t_2), determining the second time (e.g., the time t_3) to be a predetermined time duration (e.g., the predetermined time duration T_p) after the previous time (e.g., the time t_{-1}). In yet another example, the constant magnitude is equal to zero.

According to yet another embodiment, a method for a lighting system (e.g., the lighting system 500) includes receiving a first signal (e.g., the voltage 571) and receiving a second signal (e.g., the sensing voltage 575). The second signal represents a magnitude of a current (e.g., the current 561) flowing through at least a winding (e.g., the winding 560). Additionally, the method includes: in response to the first signal (e.g., the voltage 571) becoming larger than a first threshold (e.g., the threshold voltage V_{th2_a}) in magnitude at a first time (e.g., the time t_{11}), causing the second signal (e.g., the sensing voltage 575) to ramp up and down during a duration of time (e.g., the two-stage total time duration T_{st}). The duration of time (e.g., the two-stage total time duration T_{st}) starts at a second time (e.g., the time t_{12}) and ends at a third time (e.g., the time t_{14}), and the third time (e.g., the time t_{14}) is a time when the first signal (e.g., the voltage 571) becomes smaller than a second threshold (e.g., the threshold voltage V_{th2_b}) in magnitude. Moreover, the method includes causing the second signal (e.g., the sensing voltage 575) to remain equal to a constant magnitude from the first time (e.g., the time t_{11}) to the second time (e.g., the time t_{12}). The first time (e.g., the time t_{11}) is earlier than the second time (e.g., the time t_{12}), and the second time (e.g., the time t_{12}) is earlier than the third time (e.g., the time t_{14}). For example, the method is implemented according to at least FIG. 5, FIG. 6B, and/or FIG. 9B.

In another example, the method further includes: in response to the first signal (e.g., the voltage 571) becoming larger than the first threshold (e.g., the threshold voltage V_{th2_a}) in magnitude at the first time (e.g., the time t_{11}), determining the second time (e.g., the time t_{12}) to be a predetermined time duration (e.g., the predetermined time duration T_o) after the first time (e.g., the time t_{11}). In yet another example, the constant magnitude is equal to zero.

According to yet another embodiment, a method for a lighting system (e.g., the lighting system 500) includes receiving a first signal (e.g., the voltage 571). The first signal is related to a dimming-control phase angle (e.g., ϕ_{dim_on}). Additionally, the method includes receiving a second signal (e.g., the sensing voltage 575). The second signal represents a magnitude of a current (e.g., the current 561) flowing through at least a winding (e.g., the winding 560). Moreover, the method includes, in response to the first signal (e.g., the voltage 571) satisfying one or more predetermined conditions: causing the second signal (e.g., the sensing voltage 575) to ramp up and down during a first duration of time (e.g., the stage-1 time duration T_{s1}); and causing the second signal (e.g., the sensing voltage 575) to ramp up and down during a second duration of time (e.g., the stage-2 time duration T_{s2}). The first duration of time (e.g., the stage-1 time duration T_{s1}) starts at a first time and ends at a second

time, and the second time is the same as or later than the first time. The second duration of time (e.g., the stage-2 time duration T_{s2}) starts at a third time and ends at a fourth time, and the fourth time is the same as or later than the third time. The causing the second signal (e.g., the sensing voltage **575**) to ramp up and down during a first duration of time (e.g., the stage-1 time duration T_{s1}) includes: in response to the dimming-control phase angle (e.g., ϕ_{dim_on}) increasing from a first angle magnitude (e.g., 0°) to a second angle magnitude (e.g., ϕ_B), keeping the first duration of time at a first predetermined constant; in response to the dimming-control phase angle (e.g., ϕ_{dim_on}) increasing from the second angle magnitude (e.g., ϕ_B) to a third angle magnitude (e.g., ϕ_C), increasing the first duration of time; and in response to the dimming-control phase angle (e.g., ϕ_{dim_on}) increasing from the third angle magnitude (e.g., ϕ_C) to a fourth angle magnitude (e.g., 180°), keeping the first duration of time at a second predetermined constant (e.g., T_{s1_max}). For example, the method is implemented according to at least FIG. 5, FIG. 6A, FIG. 6B, FIG. 7, FIG. 9A, and/or FIG. 9B.

In another example, the second time is earlier than the third time. In yet another example, the second time is the same as the third time. In yet another example, the first angle magnitude is equal to 0° , and the fourth angle magnitude is equal to 180° . In yet another example, the first predetermined constant is equal to zero. In yet another example, the process of, in response to the dimming-control phase angle (e.g., ϕ_{dim_on}) increasing from the second angle magnitude (e.g., ϕ_B) to a third angle magnitude (e.g., ϕ_C), increasing the first duration of time includes: in response to the dimming-control phase angle (e.g., ϕ_{dim_on}) increasing from the second angle magnitude (e.g., ϕ_B) to the third angle magnitude (e.g., ϕ_C), increasing the first duration of time linearly with the increasing dimming-control phase angle at a constant slope (e.g., the slope SL_1). In yet another example, the second predetermined constant (e.g., T_{s1_max}) is larger than zero.

According to yet another embodiment, a method for a lighting system (e.g., the lighting system **500**) includes receiving a first signal (e.g., the voltage **571**). The first signal is related to a dimming-control phase angle (e.g., ϕ_{dim_on}). Additionally, the method includes receiving a second signal (e.g., the sensing voltage **575**). The second signal represents a magnitude of a current (e.g., the current **561**) flowing through at least a winding (e.g., the winding **560**). Moreover, the method includes, in response to the first signal (e.g., the voltage **571**) satisfying one or more predetermined conditions: causing the second signal (e.g., the sensing voltage **575**) to ramp up and down during a first duration of time (e.g., the stage-1 time duration T_{s1}); and causing the second signal (e.g., the sensing voltage **575**) to ramp up and down during a second duration of time (e.g., the stage-2 time duration T_{s2}). The first duration of time (e.g., the stage-1 time duration T_{s1}) starts at a first time and ends at a second time, and the second time is the same as or later than the first time. The second duration of time (e.g., the stage-2 time duration T_{s2}) starts at a third time and ends at a fourth time, and the fourth time is the same as or later than the third time. The causing the second signal (e.g., the sensing voltage **575**) to ramp up and down during a second duration of time (e.g., the stage-2 time duration T_{s2}) includes: in response to the dimming-control phase angle (e.g., ϕ_{dim_on}) increasing from a first angle magnitude (e.g., 0°) to a second angle magnitude (e.g., ϕ_A), keeping the total duration of time at a first predetermined constant; in response to the dimming-control phase angle (e.g., ϕ_{dim_on}) increasing from the second angle magnitude (e.g., ϕ_A) to a third angle magnitude (e.g., ϕ_C), increasing the total duration of time; and in response to the dimming-control phase angle (e.g., ϕ_{dim_on}) increasing from the third angle magnitude (e.g., ϕ_C) to a fourth angle magnitude (e.g., 180°), keeping the total duration of time at a second predetermined constant

increasing the second duration of time; and in response to the dimming-control phase angle (e.g., ϕ_{dim_on}) increasing from the third angle magnitude (e.g., ϕ_B) to a fourth angle magnitude (e.g., 180°), keeping the second duration of time at a second predetermined constant (e.g., T_{s2_max}). For example, the method is implemented according to at least FIG. 5, FIG. 6A, FIG. 6B, FIG. 7, FIG. 9A, and/or FIG. 9B.

In another example, the second time is earlier than the third time. In yet another example, the second time is the same as the third time. In yet another example, the first angle magnitude is equal to 0° , and the fourth angle magnitude is equal to 180° . In yet another example, the first predetermined constant is equal to zero. In yet another example, the process of, in response to the dimming-control phase angle (e.g., ϕ_{dim_on}) increasing from the second angle magnitude (e.g., ϕ_A) to a third angle magnitude (e.g., ϕ_B), increasing the second duration of time includes: in response to the dimming-control phase angle (e.g., ϕ_{dim_on}) increasing from the second angle magnitude (e.g., ϕ_A) to the third angle magnitude (e.g., ϕ_B), increasing the second duration of time linearly with the increasing dimming-control phase angle at a constant slope (e.g., the slope SL_2). In yet another example, the second predetermined constant (e.g., T_{s2_max}) is larger than zero.

According to yet another embodiment, a method for a lighting system (e.g., the lighting system **500**) includes receiving a first signal (e.g., the voltage **571**). The first signal is related to a dimming-control phase angle (e.g., ϕ_{dim_on}). Additionally, the method includes receiving a second signal (e.g., the sensing voltage **575**). The second signal represents a magnitude of a current (e.g., the current **561**) flowing through at least a winding (e.g., the winding **560**). Moreover, the method includes, in response to the first signal (e.g., the voltage **571**) satisfying one or more predetermined conditions: causing the second signal (e.g., the sensing voltage **575**) to ramp up and down during a first duration of time (e.g., the stage-1 time duration T_{s1}); and causing the second signal (e.g., the sensing voltage **575**) to ramp up and down during a second duration of time (e.g., the stage-2 time duration T_{s2}). The first duration of time (e.g., the stage-1 time duration T_{s1}) starts at a first time and ends at a second time, and the second time is the same as or later than the first time. The second duration of time (e.g., the stage-2 time duration T_{s2}) starts at a third time and ends at a fourth time, and the fourth time is the same as or later than the third time. A sum of the first duration of time (e.g., the stage-1 time duration T_{s1}) and the second duration of time (e.g., the stage-2 time duration T_{s2}) is equal to a total duration of time (e.g., the two-stage total time duration T_{st}). The causing the second signal (e.g., the sensing voltage **575**) to ramp up and down during a first duration of time (e.g., the stage-1 time duration T_{s1}) and the causing the second signal (e.g., the sensing voltage **575**) to ramp up and down during a second duration of time (e.g., the stage-2 time duration T_{s2}) include: in response to the dimming-control phase angle (e.g., ϕ_{dim_on}) increasing from a first angle magnitude (e.g., 0°) to a second angle magnitude (e.g., ϕ_A), keeping the total duration of time at a first predetermined constant; in response to the dimming-control phase angle (e.g., ϕ_{dim_on}) increasing from the second angle magnitude (e.g., ϕ_A) to a third angle magnitude (e.g., ϕ_C), increasing the total duration of time; and in response to the dimming-control phase angle (e.g., ϕ_{dim_on}) increasing from the third angle magnitude (e.g., ϕ_C) to a fourth angle magnitude (e.g., 180°), keeping the total duration of time at a second predetermined constant

(e.g., T_{st_max}). For example, the method is implemented according to at least FIG. 5, FIG. 6A, FIG. 6B, FIG. 7, FIG. 9A, and/or FIG. 9B.

In another example, the second time is earlier than the third time. In yet another example, the second time is the same as the third time. In yet another example, the first angle magnitude is equal to 0° , and the fourth angle magnitude is equal to 180° . In yet another example, the first predetermined constant is equal to zero. In yet another example, the second predetermined constant (e.g., T_{st_max}) is larger than zero.

In yet another example, the process of, in response to the dimming-control phase angle (e.g., ϕ_{dim_on}) increasing from the second angle magnitude (e.g., ϕ_A) to a third angle magnitude (e.g., ϕ_C), increasing the total duration of time includes: increasing the total duration of time linearly at a first constant slope (e.g., the slope STL_1) in response to the dimming-control phase angle increasing from the second angle magnitude (e.g., ϕ_A) to a fourth angle magnitude (e.g., ϕ_B); and increasing the total duration of time linearly at a second constant slope (e.g., the slope STL_2) in response to the dimming-control phase angle increasing from the fourth angle magnitude (e.g., ϕ_B) to the third angle magnitude (e.g., ϕ_C). The fourth angle magnitude (e.g., ϕ_B) is larger than the second angle magnitude (e.g., ϕ_A) and smaller than the third angle magnitude (e.g., ϕ_C). In yet another example, the first constant slope (e.g., the slope STL_1) and the second constant slope (e.g., the slope STL_2) are equal. In yet another example, the first constant slope (e.g., the slope STL_1) and the second constant slope (e.g., the slope STL_2) are not equal. In yet another example, the total duration of time is equal to the first predetermined constant in response to the dimming-control phase angle (e.g., ϕ_{dim_on}) being equal to the second angle magnitude (e.g., ϕ_A), the total duration of time is equal to an intermediate magnitude (e.g., T_{st_mid}) in response to the dimming-control phase angle being equal to the fourth angle magnitude (e.g., ϕ_B), and the total duration of time is equal to the second predetermined constant in response to the dimming-control phase angle (e.g., ϕ_{dim_on}) being equal to the third angle magnitude (e.g., ϕ_C). The intermediate magnitude (e.g., T_{st_mid}) is larger than the first predetermined constant and smaller than the second predetermined constant.

According to yet another embodiment, a method for a lighting system (e.g., the lighting system 500) includes receiving a first signal (e.g., the voltage 571) and receiving a second signal (e.g., the sensing voltage 575). The second signal represents a magnitude of a current (e.g., the current 561) flowing through at least a winding (e.g., the winding 560). Additionally, the method includes determining whether or not a TRIAC dimmer is detected to be included in the lighting system and if the TRIAC dimmer is detected to be included in the lighting system, whether the TRIAC dimmer is a leading-edge TRIAC dimmer or a trailing-edge TRIAC dimmer. Moreover, the method includes, if the TRIAC dimmer is detected to be included in the lighting system and the TRIAC dimmer is the leading-edge TRIAC dimmer: in response to the first signal (e.g., the voltage 571) becoming larger than a first threshold (e.g., the threshold voltage V_{th_aa}) in magnitude at a first time (e.g., the time t_2), causing the second signal (e.g., the sensing voltage 575) to ramp up and down during a first duration of time (e.g., the stage-1 time duration T_{s1}); and in response to the first signal (e.g., the voltage 571) becoming smaller than a second threshold (e.g., the threshold voltage V_{th_bb}) in magnitude at a third time (e.g., the time t_4), causing the second signal (e.g., the sensing voltage 575) to ramp up and down during

a second duration of time (e.g., the stage-2 time duration T_{s2}). The first duration of time (e.g., the stage-1 time duration T_{s1}) starts at the first time (e.g., the time t_2) and ends at a second time (e.g., the time t_3), and the second duration of time (e.g., the stage-2 time duration T_{s2}) starts at the third time (e.g., the time t_4) and ends at a fourth time (e.g., the time t_6). Also, the method includes, if the TRIAC dimmer is detected to be included in the lighting system and the TRIAC dimmer is the trailing-edge TRIAC dimmer: in response to the first signal (e.g., the voltage 571) becoming larger than the first threshold (e.g., the threshold voltage V_{th_aa}) in magnitude at a fifth time (e.g., the time t_{11}), causing the second signal (e.g., the sensing voltage 575) to ramp up and down during a duration of time (e.g., the two-stage total time duration T_{st}). The duration of time (e.g., the two-stage total time duration T_{st}) starts at a sixth time (e.g., the time t_{12}) and ends at a seventh time (e.g., the time t_{14}). The seventh time (e.g., the time t_{14}) is a time when the first signal (e.g., the voltage 571) becomes smaller than the second threshold (e.g., the threshold voltage V_{th_bb}) in magnitude. For example, the method is implemented according to at least FIG. 5, FIG. 8, FIG. 9A, and/or FIG. 9B.

In another example, the method further includes: if the TRIAC dimmer is detected to be included in the lighting system and the TRIAC dimmer is the leading-edge TRIAC dimmer, causing the second signal (e.g., the sensing voltage 575) to remain equal to a constant magnitude from the second time (e.g., the time t_3) to the third time (e.g., the time t_4). In yet another example, the method further includes: if the TRIAC dimmer is detected to be included in the lighting system and the TRIAC dimmer is the trailing-edge TRIAC dimmer, causing the second signal (e.g., the sensing voltage 575) to remain equal to a constant magnitude from the fifth time (e.g., the time t_{11}) to the sixth time (e.g., the time t_{12}).

For example, some or all components of various embodiments of the present invention each are, individually and/or in combination with at least another component, implemented using one or more software components, one or more hardware components, and/or one or more combinations of software and hardware components. In another example, some or all components of various embodiments of the present invention each are, individually and/or in combination with at least another component, implemented in one or more circuits, such as one or more analog circuits and/or one or more digital circuits. In yet another example, various embodiments and/or examples of the present invention can be combined.

Although specific embodiments of the present invention have been described, it will be understood by those of skill in the art that there are other embodiments that are equivalent to the described embodiments. Accordingly, it is to be understood that the invention is not to be limited by the specific illustrated embodiments, but only by the scope of the appended claims.

What is claimed is:

1. A system controller for a lighting system, the system controller comprising:

- a first controller terminal configured to receive a first signal, the first signal being related to a dimming-control phase angle;
- a second controller terminal coupled to a first transistor terminal of a transistor, the transistor further including a second transistor terminal and a third transistor terminal, the second transistor terminal being coupled to a winding;
- a third controller terminal coupled to the third transistor terminal of the transistor; and

a fourth controller terminal coupled to a resistor and configured to receive a second signal, the second signal representing a magnitude of a current flowing through at least the winding, the third controller terminal, the fourth controller terminal, and the resistor;

wherein the system controller is configured to, in response to the first signal satisfying one or more predetermined conditions:

- cause the second signal to ramp up and down during a first duration of time, the first duration of time starting at a first time and ending at a second time, the second time being the same as or later than the first time; and
- cause the second signal to ramp up and down during a second duration of time, the second duration of time starting at a third time and ending at a fourth time, the fourth time being the same as or later than the third time;

wherein the system controller is further configured to:

- in response to the dimming-control phase angle increasing from a first angle magnitude to a second angle magnitude, keep the first duration of time at a first predetermined constant;
- in response to the dimming-control phase angle increasing from the second angle magnitude to a third angle magnitude, increase the first duration of time; and
- in response to the dimming-control phase angle increasing from the third angle magnitude to a fourth angle magnitude, keep the first duration of time at a second predetermined constant.

2. The system controller of claim 1 wherein the second time is earlier than the third time.
3. The system controller of claim 1 wherein the second time is the same as the third time.
4. The system controller of claim 1 wherein: the first angle magnitude is equal to 0°; and the fourth angle magnitude is equal to 180°.
5. The system controller of claim 1 wherein the first predetermined constant is equal to zero.
6. The system controller of claim 1 wherein the system controller is further configured to, in response to the dimming-control phase angle increasing from the second angle magnitude to the third angle magnitude, increase the first duration of time linearly with the increasing dimming-control phase angle at a constant slope.
7. The system controller of claim 1 wherein the second predetermined constant is larger than zero.
8. A system controller for a lighting system, the system controller comprising:
 - a first controller terminal configured to receive a first signal, the first signal being related to a dimming-control phase angle;
 - a second controller terminal coupled to a first transistor terminal of a transistor, the transistor further including a second transistor terminal and a third transistor terminal, the second transistor terminal being coupled to a winding;
 - a third controller terminal coupled to the third transistor terminal of the transistor; and
 - a fourth controller terminal coupled to a resistor and configured to receive a second signal, the second signal representing a magnitude of a current flowing through at least the winding, the third controller terminal, the fourth controller terminal, and the resistor;

wherein the system controller is configured to, in response to the first signal satisfying one or more predetermined conditions:

- cause the second signal to ramp up and down during a first duration of time, the first duration of time starting at a first time and ending at a second time, the second time being the same as or later than the first time; and
- cause the second signal to ramp up and down during a second duration of time, the second duration of time starting at a third time and ending at a fourth time, the fourth time being the same as or later than the third time;

wherein the system controller is further configured to:

- in response to the dimming-control phase angle increasing from a first angle magnitude to a second angle magnitude, keep the second duration of time at a first predetermined constant;
- in response to the dimming-control phase angle increasing from the second angle magnitude to a third angle magnitude, increase the second duration of time; and
- in response to the dimming-control phase angle increasing from the third angle magnitude to a fourth angle magnitude, keep the second duration of time at a second predetermined constant.

9. The system controller of claim 8 wherein the second time is earlier than the third time.
10. The system controller of claim 8 wherein the second time is the same as the third time.
11. The system controller of claim 8 wherein: the first angle magnitude is equal to 0°; and the fourth angle magnitude is equal to 180°.
12. The system controller of claim 8 wherein the first predetermined constant is equal to zero.
13. The system controller of claim 8 further configured to, in response to the dimming-control phase angle increasing from the second angle magnitude to the third angle magnitude, increase the second duration of time linearly with the increasing dimming-control phase angle at a constant slope.
14. The system controller of claim 8 wherein the second predetermined constant is larger than zero.
15. A system controller for a lighting system, the system controller comprising:
 - a first controller terminal configured to receive a first signal, the first signal being related to a dimming-control phase angle;
 - a second controller terminal coupled to a first transistor terminal of a transistor, the transistor further including a second transistor terminal and a third transistor terminal, the second transistor terminal being coupled to a winding;
 - a third controller terminal coupled to the third transistor terminal of the transistor; and
 - a fourth controller terminal coupled to a resistor and configured to receive a second signal, the second signal representing a magnitude of a current flowing through at least the winding, the third controller terminal, the fourth controller terminal, and the resistor;

wherein the system controller is configured to, in response to the first signal satisfying one or more predetermined conditions:

- cause the second signal to ramp up and down during a first duration of time, the first duration of time starting at a first time and ending at a second time, the second time being the same as or later than the first time; and

cause the second signal to ramp up and down during a second duration of time, the second duration of time starting at a third time and ending at a fourth time, the fourth time being the same as or later than the third time;

wherein a sum of the first duration of time and the second duration of time is equal to a total duration of time;

wherein the system controller is further configured to:

- in response to the dimming-control phase angle increasing from a first angle magnitude to a second angle magnitude, keep the total duration of time at a first predetermined constant;
- in response to the dimming-control phase angle increasing from the second angle magnitude to a third angle magnitude, increase the total duration of time; and
- in response to the dimming-control phase angle increasing from the third angle magnitude to a fourth angle magnitude, keep the total duration of time at a second predetermined constant.

16. The system controller of claim 15 wherein the second time is earlier than the third time.

17. The system controller of claim 15 wherein the second time is the same as the third time.

18. The system controller of claim 15 wherein:

- the first angle magnitude is equal to 0°; and
- the fourth angle magnitude is equal to 180°.

19. The system controller of claim 15 wherein the first predetermined constant is equal to zero.

20. The system controller of claim 15 wherein the second predetermined constant is larger than zero.

21. The system controller of claim 15 further configured to, in response to the dimming-control phase angle increasing from the second angle magnitude to the third angle magnitude:

- increase the total duration of time linearly at a first constant slope in response to the dimming-control phase angle increasing from the second angle magnitude to the fourth angle magnitude; and
- increase the total duration of time linearly at a second constant slope in response to the dimming-control phase angle increasing from the fourth angle magnitude to the third angle magnitude;

wherein the fourth angle magnitude is larger than the second angle magnitude and smaller than the third angle magnitude.

22. The system controller of claim 21 wherein the first constant slope and the second constant slope are equal.

23. The system controller of claim 21 wherein the first constant slope and the second constant slope are not equal.

24. The system controller of claim 21 wherein:

- the total duration of time is equal to the first predetermined constant in response to the dimming-control phase angle being equal to the second angle magnitude;
- the total duration of time is equal to an intermediate magnitude in response to the dimming-control phase angle being equal to the fourth angle magnitude; and
- the total duration of time is equal to the second predetermined constant in response to the dimming-control phase angle being equal to the third angle magnitude;

wherein the intermediate magnitude is larger than the first predetermined constant and smaller than the second predetermined constant.

25. A method for a lighting system, the method comprising:

- receiving a first signal, the first signal being related to a dimming-control phase angle;

- receiving a second signal, the second signal representing a magnitude of a current flowing through at least a winding; and
- in response to the first signal satisfying one or more predetermined conditions:
 - causing the second signal to ramp up and down during a first duration of time, the first duration of time starting at a first time and ending at a second time, the second time being the same as or later than the first time; and
 - causing the second signal to ramp up and down during a second duration of time, the second duration of time starting at a third time and ending at a fourth time, the fourth time being the same as or later than the third time;

wherein the causing the second signal to ramp up and down during a first duration of time includes:

- in response to the dimming-control phase angle increasing from a first angle magnitude to a second angle magnitude, keeping the first duration of time at a first predetermined constant;
- in response to the dimming-control phase angle increasing from the second angle magnitude to a third angle magnitude, increasing the first duration of time; and
- in response to the dimming-control phase angle increasing from the third angle magnitude to a fourth angle magnitude, keeping the first duration of time at a second predetermined constant.

26. The method of claim 25 wherein the second time is earlier than the third time.

27. The method of claim 25 wherein the second time is the same as the third time.

28. The method of claim 25 wherein:

- the first angle magnitude is equal to 0°; and
- the fourth angle magnitude is equal to 180°.

29. The method of claim 25 wherein the first predetermined constant is equal to zero.

30. The method of claim 25 wherein the process of, in response to the dimming-control phase angle increasing from the second angle magnitude to a third angle magnitude, increasing the first duration of time includes:

- in response to the dimming-control phase angle increasing from the second angle magnitude to the third angle magnitude, increasing the first duration of time linearly with the increasing dimming-control phase angle at a constant slope.

31. The method of claim 25 wherein the second predetermined constant is larger than zero.

32. A method for a lighting system, the method comprising:

- receiving a first signal, the first signal being related to a dimming-control phase angle; and
- receiving a second signal, the second signal representing a magnitude of a current flowing through at least a winding; and
- in response to the first signal satisfying one or more predetermined conditions:
 - causing the second signal to ramp up and down during a first duration of time, the first duration of time starting at a first time and ending at a second time, the second time being the same as or later than the first time; and
 - causing the second signal to ramp up and down during a second duration of time, the second duration of

47

time starting at a third time and ending at a fourth time, the fourth time being the same as or later than the third time;

wherein the causing the second signal to ramp up and down during a second duration of time includes:

- in response to the dimming-control phase angle increasing from a first angle magnitude to a second angle magnitude, keeping the second duration of time at a first predetermined constant;
- in response to the dimming-control phase angle increasing from the second angle magnitude to a third angle magnitude, increasing the second duration of time; and
- in response to the dimming-control phase angle increasing from the third angle magnitude to a fourth angle magnitude, keeping the second duration of time at a second predetermined constant.

33. The method of claim 32 wherein the second time is earlier than the third time.

34. The method of claim 32 wherein the second time is the same as the third time.

35. The method of claim 32 wherein:

- the first angle magnitude is equal to 0°; and
- the fourth angle magnitude is equal to 180°.

36. The method of claim 32 wherein the first predetermined constant is equal to zero.

37. The method of claim 32 wherein the process of, in response to the dimming-control phase angle increasing from the second angle magnitude to a third angle magnitude, increasing the second duration of time includes:

- in response to the dimming-control phase angle increasing from the second angle magnitude to the third angle magnitude, increasing the second duration of time linearly with the increasing dimming-control phase angle at a constant slope.

38. The method of claim 32 wherein the second predetermined constant is larger than zero.

39. A method for a lighting system, the method comprising:

- receiving a first signal, the first signal being related to a dimming-control phase angle;
- receiving a second signal, the second signal representing a magnitude of a current flowing through at least a winding; and
- in response to the first signal satisfying one or more predetermined conditions:
 - causing the second signal to ramp up and down during a first duration of time, the first duration of time starting at a first time and ending at a second time, the second time being the same as or later than the first time; and
 - causing the second signal to ramp up and down during a second duration of time, the second duration of time starting at a third time and ending at a fourth time, the fourth time being the same as or later than the third time;

wherein a sum of the first duration of time and the second duration of time is equal to a total duration of time;

48

wherein the causing the second signal to ramp up and down during a first duration of time and the causing the second signal to ramp up and down during a second duration of time include:

- in response to the dimming-control phase angle increasing from a first angle magnitude to a second angle magnitude, keeping the total duration of time at a first predetermined constant;
- in response to the dimming-control phase angle increasing from the second angle magnitude to a third angle magnitude, increasing the total duration of time; and
- in response to the dimming-control phase angle increasing from the third angle magnitude to a fourth angle magnitude, keeping the total duration of time at a second predetermined constant.

40. The method of claim 39 wherein the second time is earlier than the third time.

41. The method of claim 39 wherein the second time is the same as the third time.

42. The method of claim 39 wherein:

- the first angle magnitude is equal to 0°; and
- the fourth angle magnitude is equal to 180°.

43. The method of claim 39 wherein the first predetermined constant is equal to zero.

44. The method of claim 39 wherein the second predetermined constant is larger than zero.

45. The method of claim 39 wherein the process of, in response to the dimming-control phase angle increasing from the second angle magnitude to a third angle magnitude, increasing the total duration of time includes:

- increasing the total duration of time linearly at a first constant slope in response to the dimming-control phase angle increasing from the second angle magnitude to the fourth angle magnitude; and
- increasing the total duration of time linearly at a second constant slope in response to the dimming-control phase angle increasing from the fourth angle magnitude to the third angle magnitude;

wherein the fourth angle magnitude is larger than the second angle magnitude and smaller than the third angle magnitude.

46. The method of claim 45 wherein the first constant slope and the second constant slope are equal.

47. The method of claim 45 wherein the first constant slope and the second constant slope are not equal.

48. The method of claim 45 wherein:

- the total duration of time is equal to the first predetermined constant in response to the dimming-control phase angle being equal to the second angle magnitude;
- the total duration of time is equal to an intermediate magnitude in response to the dimming-control phase angle being equal to the fourth angle magnitude; and
- the total duration of time is equal to the second predetermined constant in response to the dimming-control phase angle being equal to the third angle magnitude;

wherein the intermediate magnitude is larger than the first predetermined constant and smaller than the second predetermined constant.

* * * * *